



US00D438325S

(12) **United States Design Patent**  
**Chen**

(10) **Patent No.:** **US D438,325 S**

(45) **Date of Patent:** **\*\* Feb. 27, 2001**

(54) **LAMP**

(76) **Inventor:** **Po-An Chen**, 1st Fl., No. 1155, Sec. 2,  
Chieh-Shou Rd., Jui-Fa Li, Ba-Te City,  
Taoyuan Hsien (TW)

(\*\*) **Term:** **14 Years**

(21) **Appl. No.:** **29/101,151**

(22) **Filed:** **Feb. 25, 1999**

(51) **LOC (7) Cl.** ..... **26-05**

(52) **U.S. Cl.** ..... **D26/74; D26/63**

(58) **Field of Search** ..... **D26/60-65, 74;**  
**362/418, 419, 427, 428, 269, 271, 272,**  
**276, 277, 278, 279, 364, 365, 366**

(56) **References Cited**

**U.S. PATENT DOCUMENTS**

D. 86,494	*	3/1932	Sutter	.....	D26/61
D. 326,535	*	5/1992	Hsia	.....	D26/65
D. 394,919	*	6/1998	Chen	.....	D26/65
D. 400,997	*	11/1998	Cheun et al.	.....	D26/63

\* cited by examiner

*Primary Examiner*—Susan J. Lucas

(74) *Attorney, Agent, or Firm*—Rosenberg, Klein & Lee

(57) **CLAIM**

The ornamental design for the lamp, as shown and described.

**DESCRIPTION**

FIG. 1 is a perspective view of a lamp showing my new design;

FIG. 2 is a front view thereof;

FIG. 3 is a rear view thereof;

FIG. 4 is a left side view thereof;

FIG. 5 is a right side view thereof;

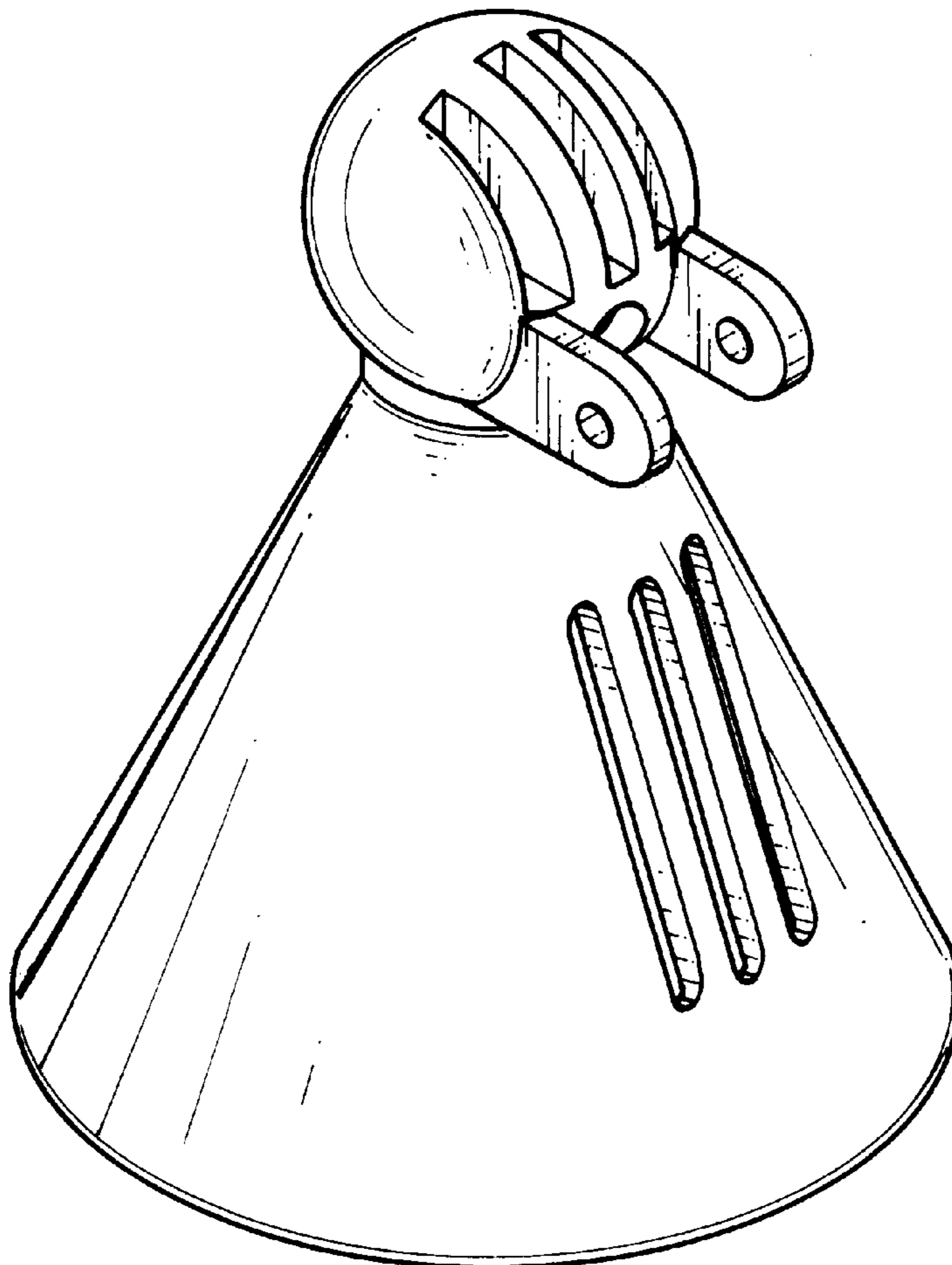
FIG. 6 is a top view thereof;

FIG. 7 is a bottom view thereof;

FIG. 8 is a view showing an application thereof, wherein the broken line portion is for illustrative purpose only and forms no part of the claimed design; and,

FIG. 9 is a view showing another application thereof, wherein the broken line portion is for illustrative purpose only and forms no part of the claimed design.

**1 Claim, 5 Drawing Sheets**



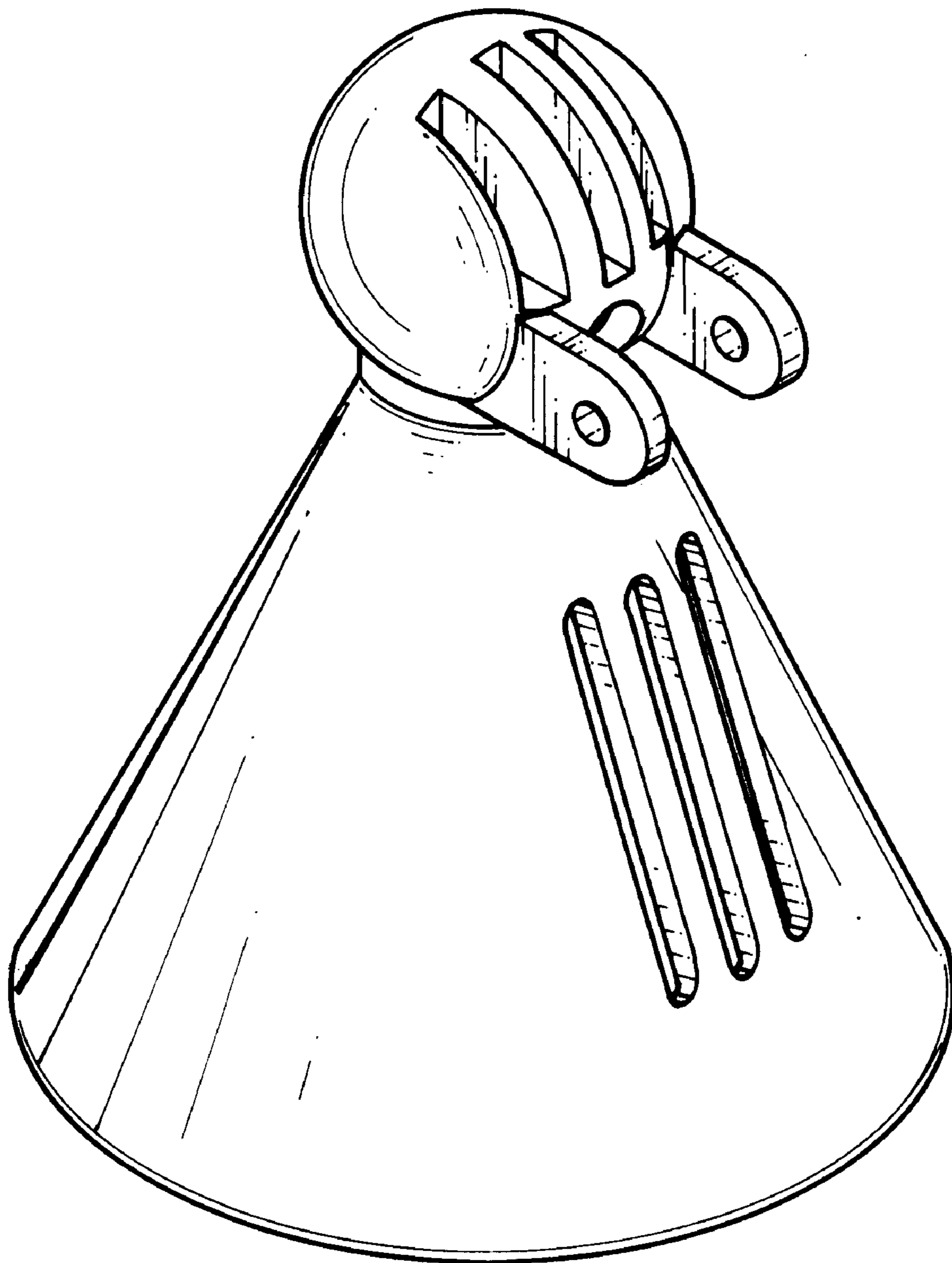


Fig. 1

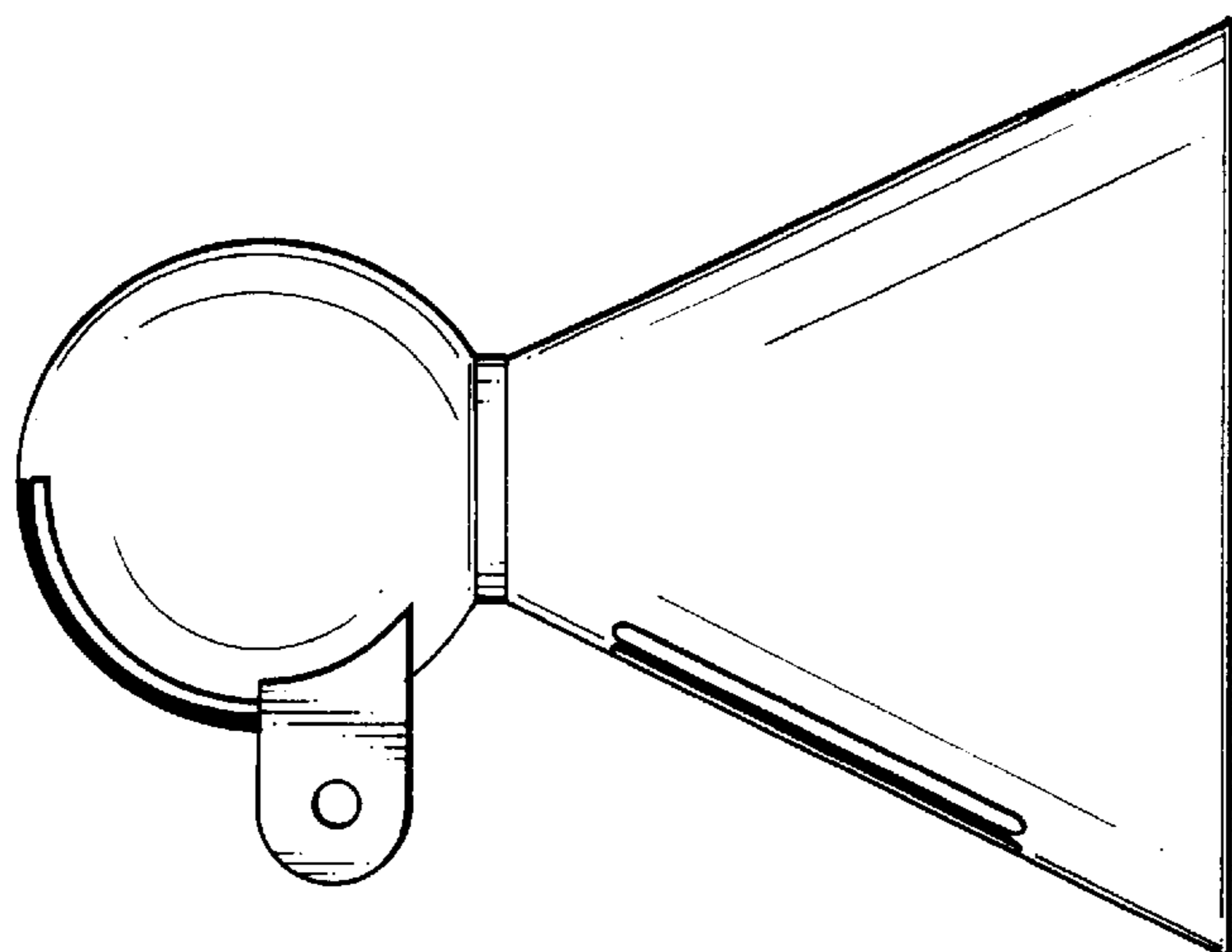


Fig. 5

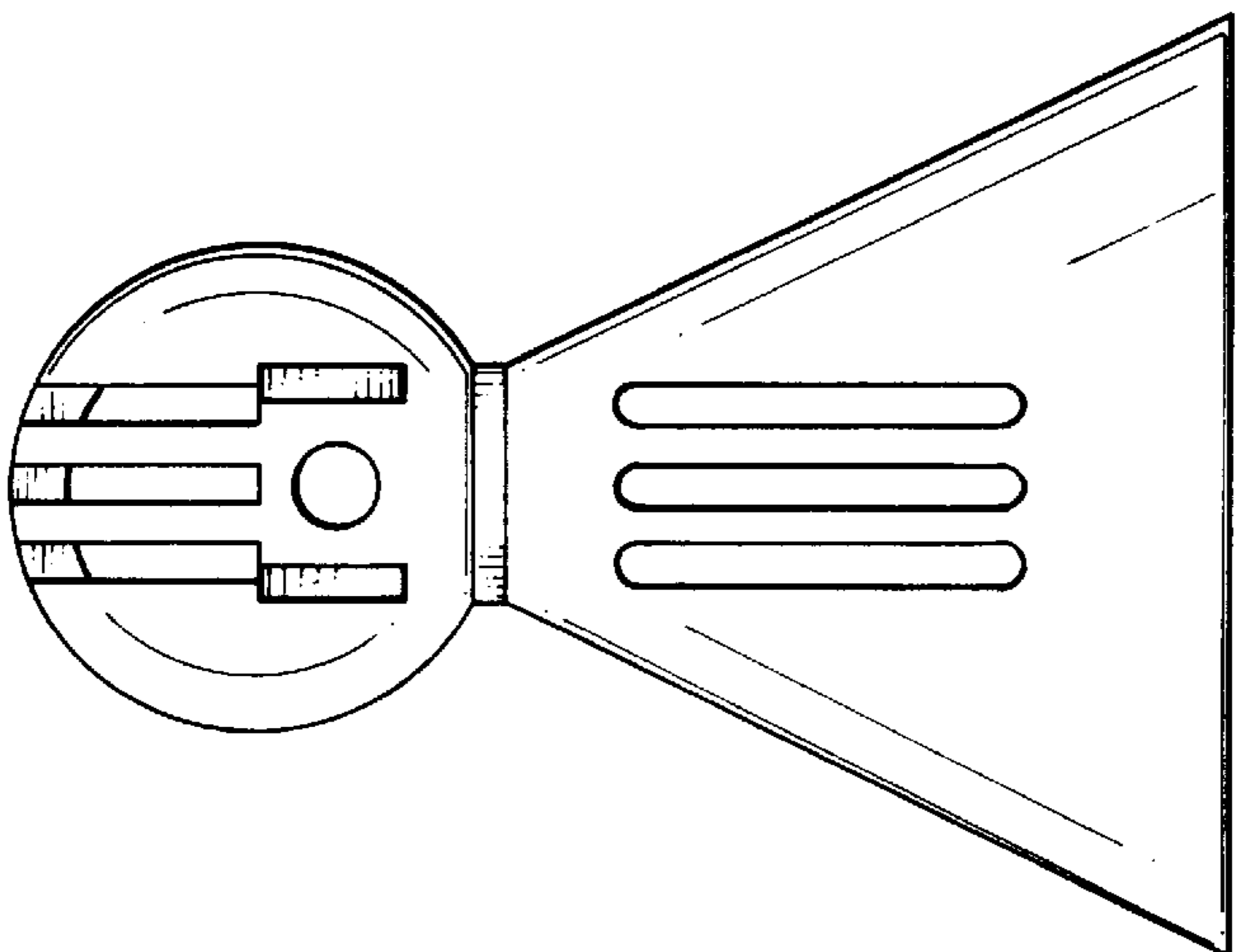


Fig. 2

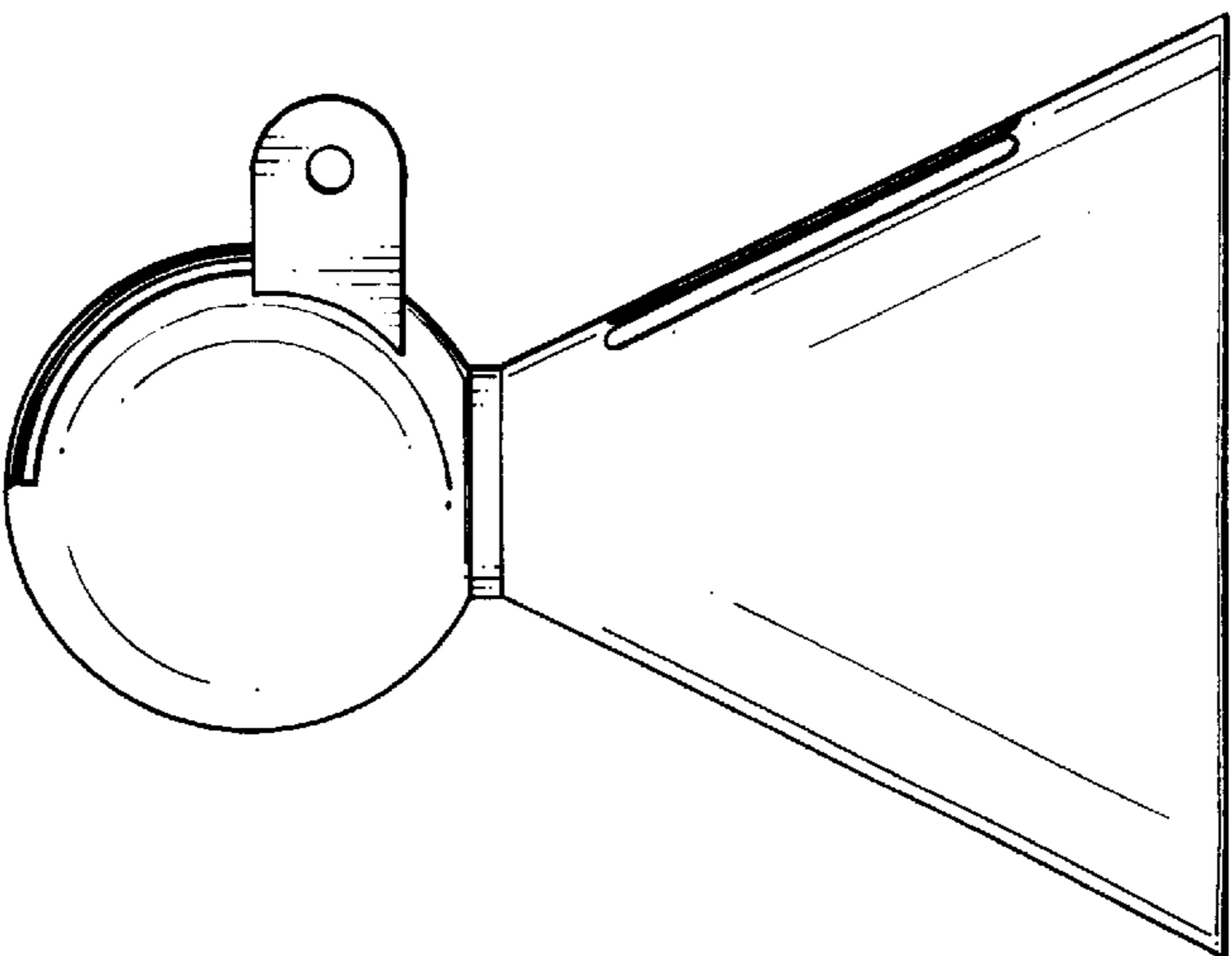


Fig. 4

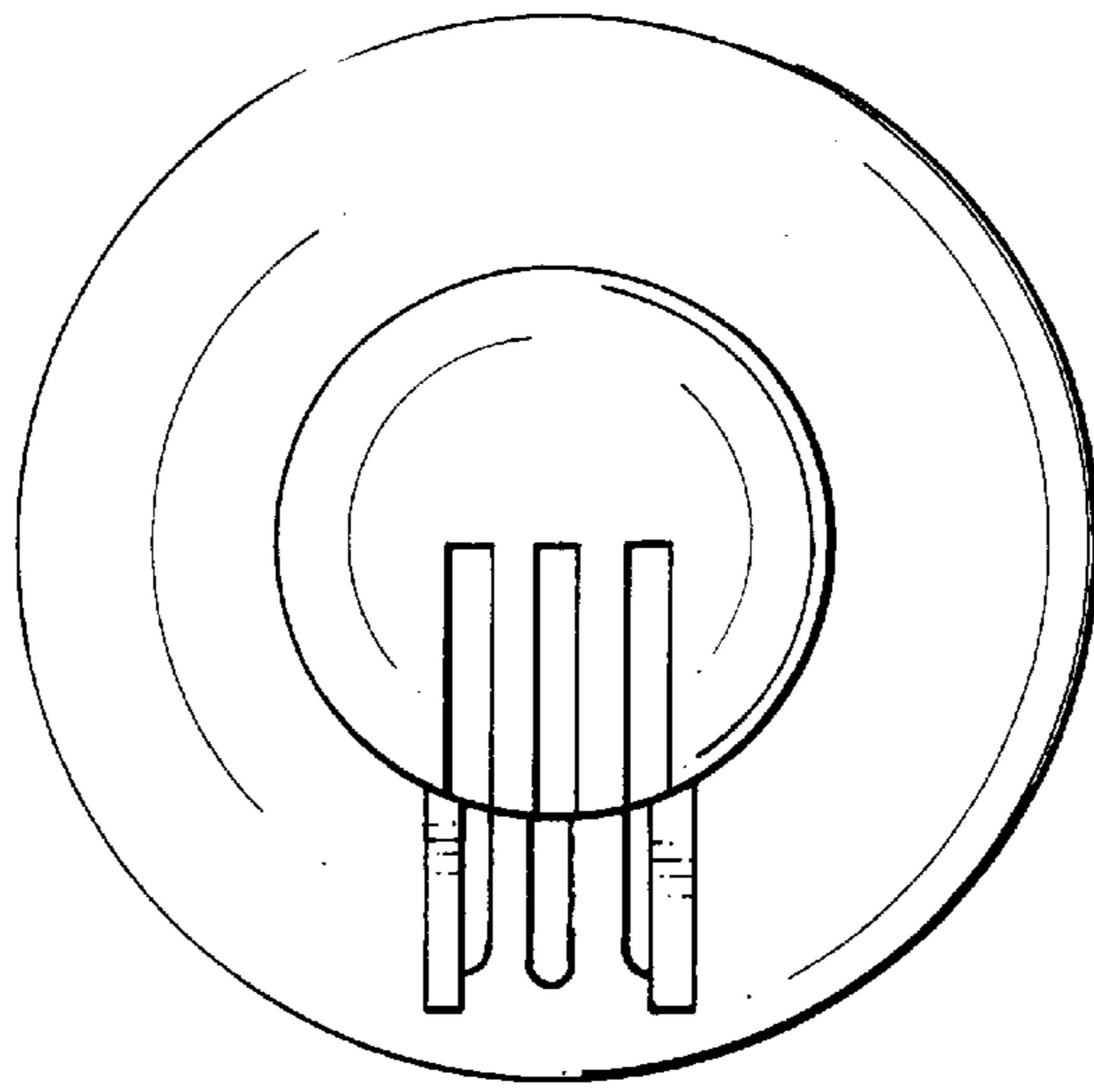


Fig. 6

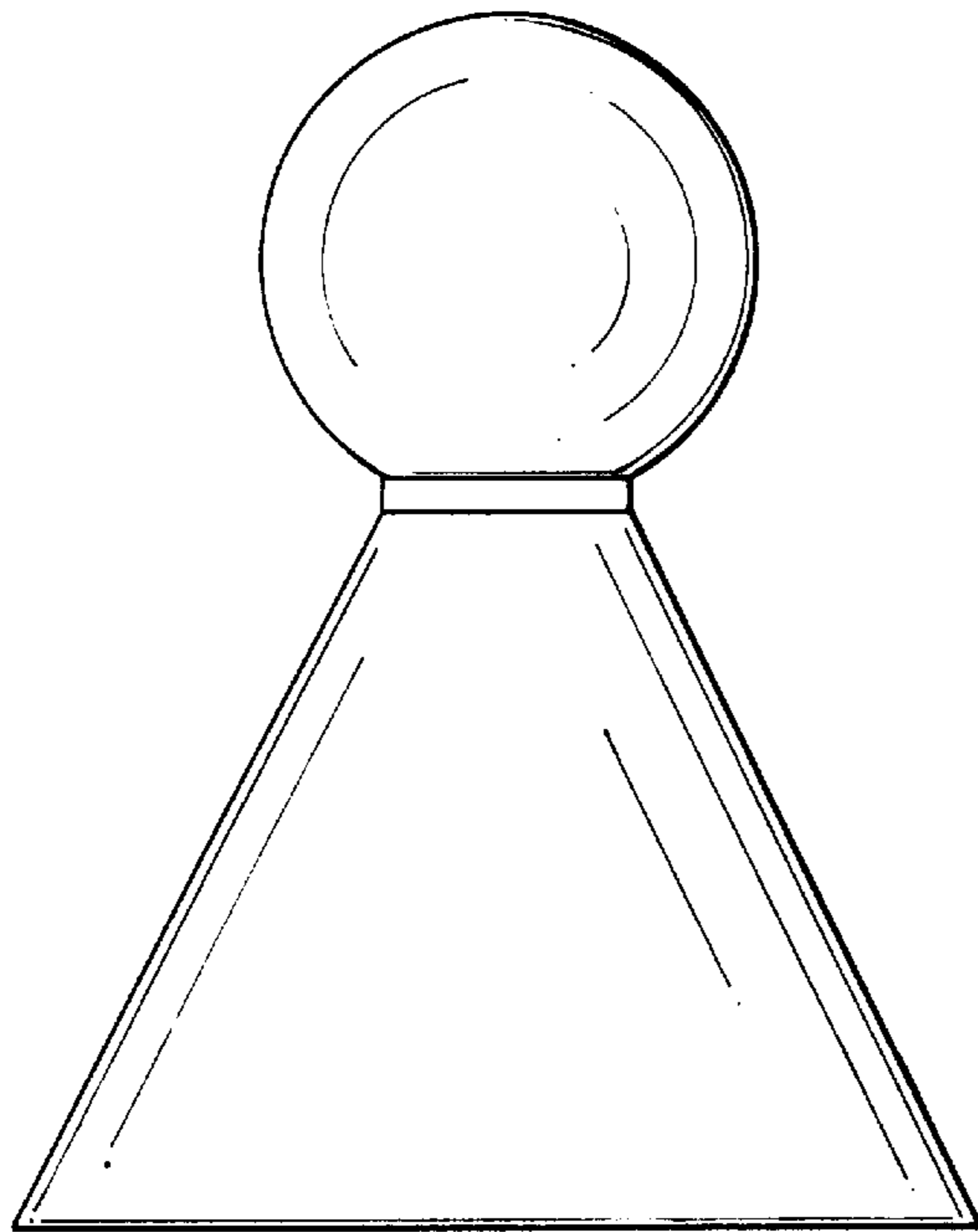


Fig. 3

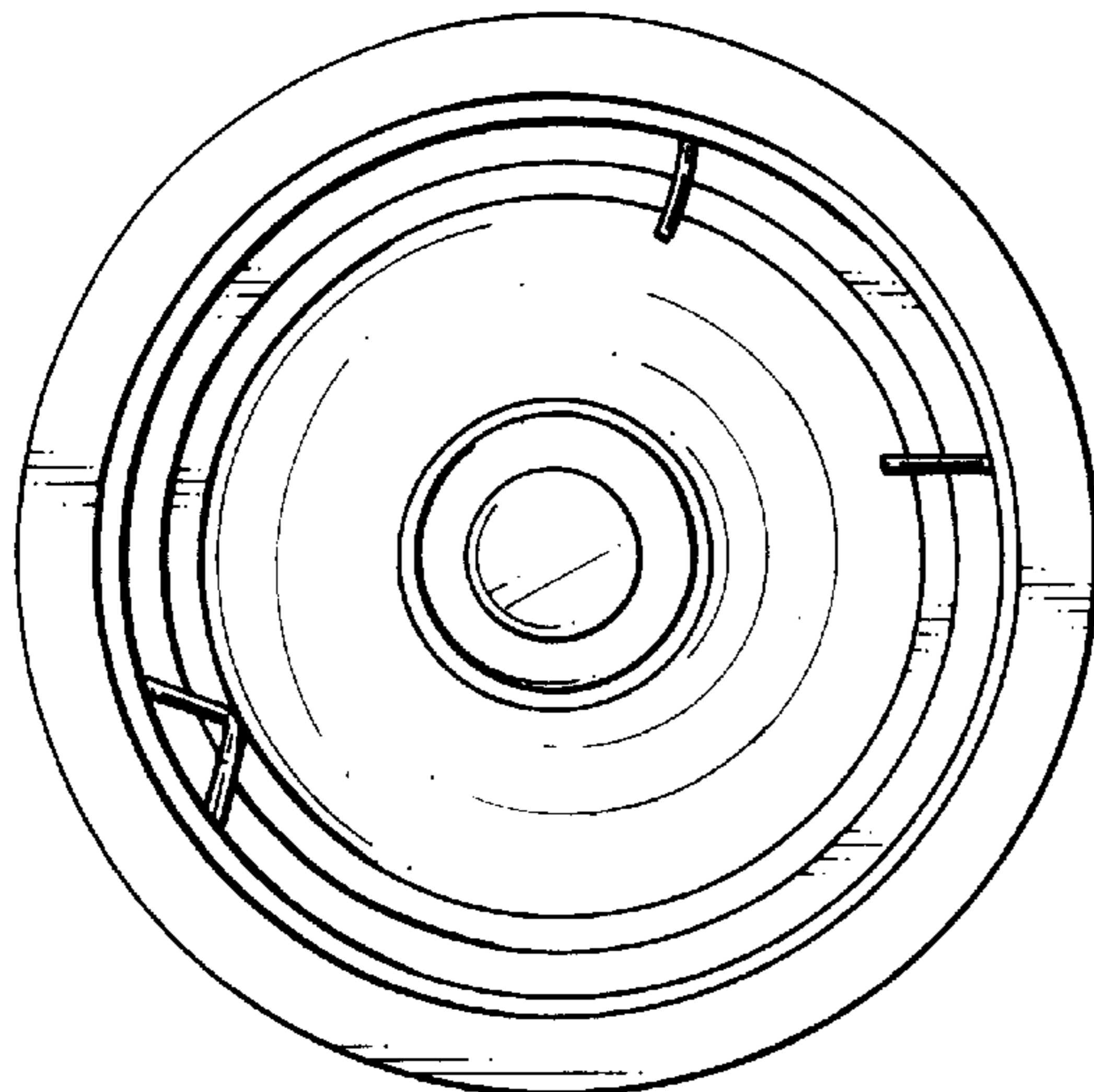


Fig. 7

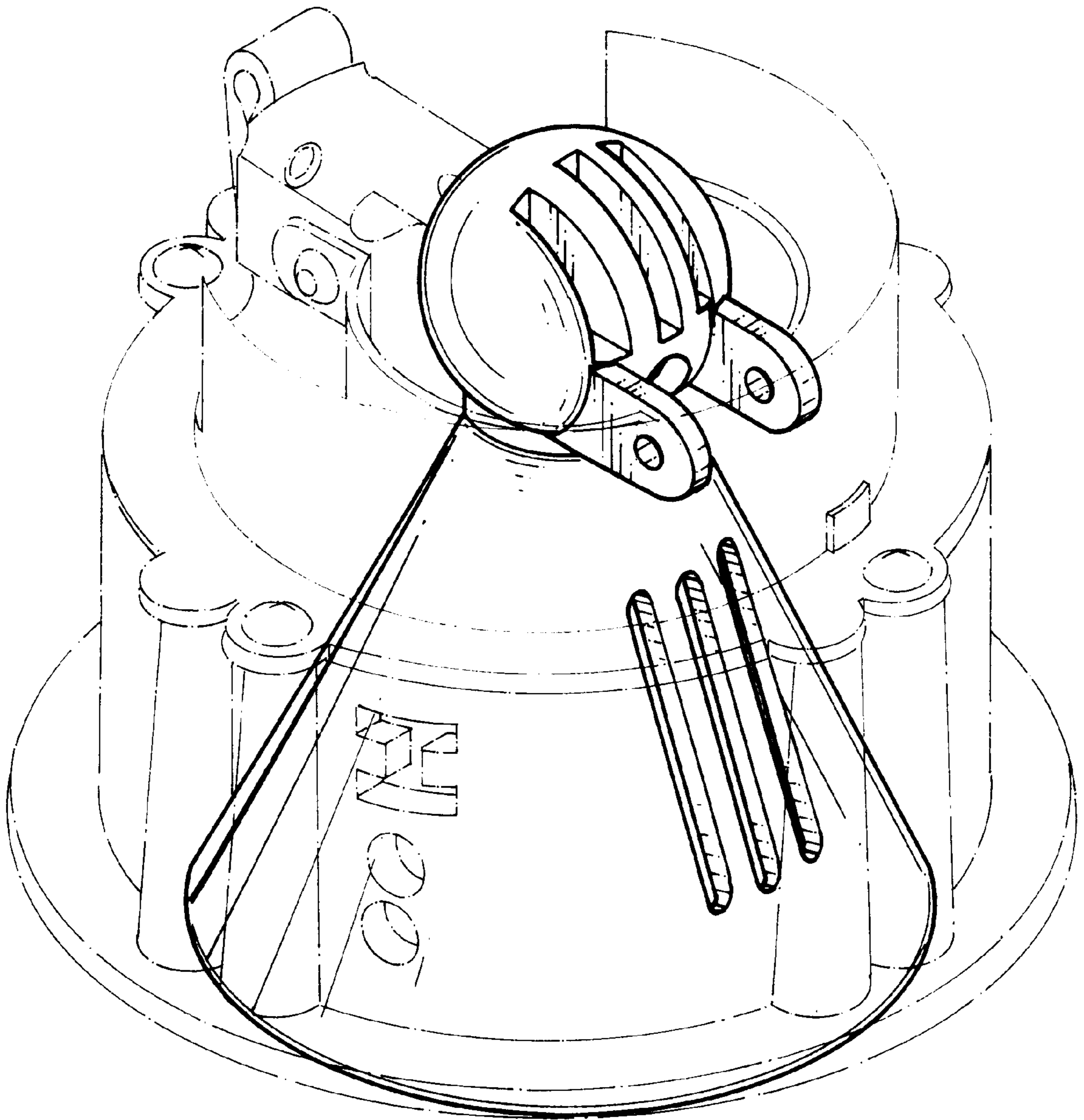


Fig . 8

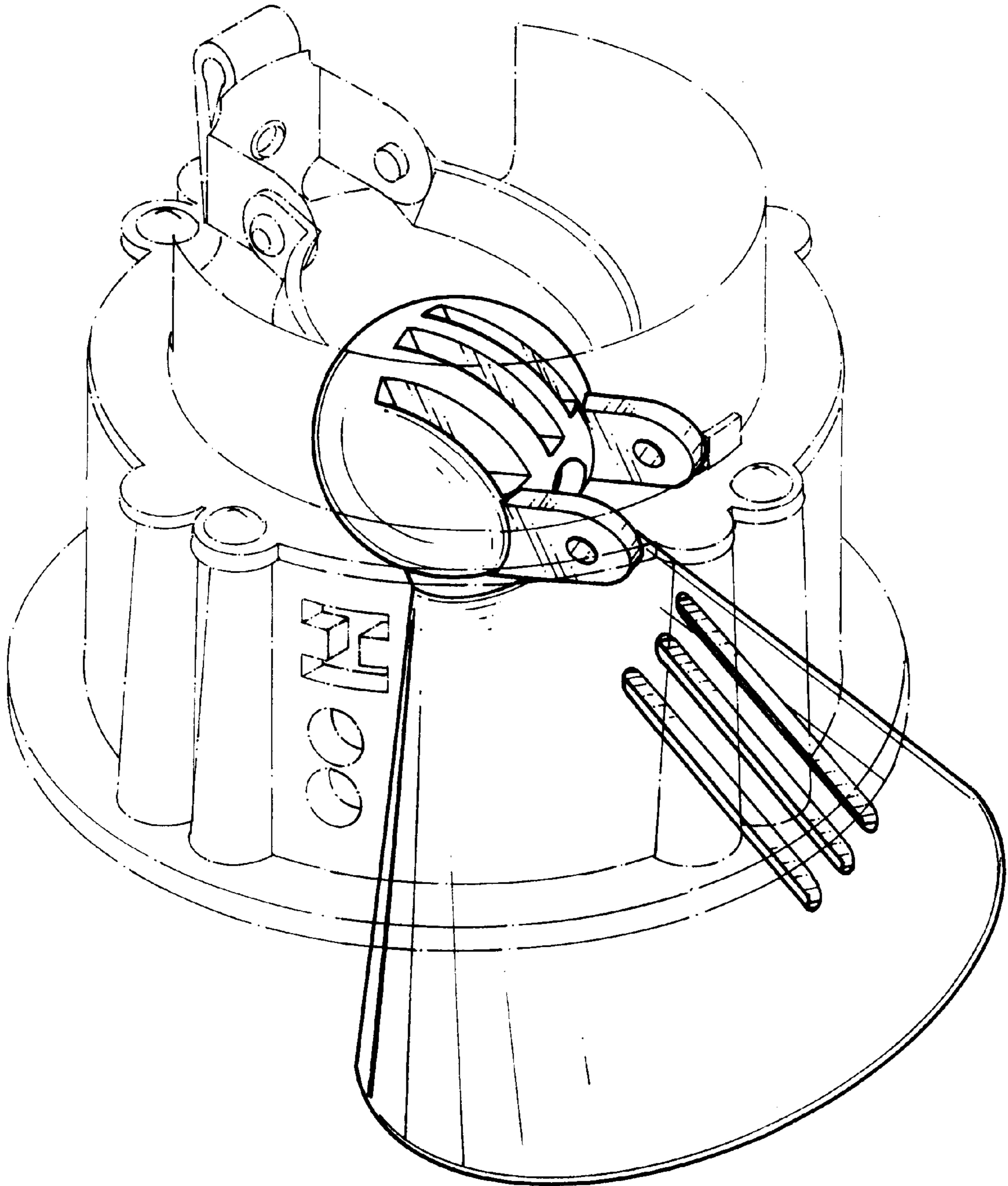


Fig . 9