



US00D438324S

(12) **United States Design Patent**  
**Pham**

(10) **Patent No.:** **US D438,324 S**

(45) **Date of Patent:** **\*\* Feb. 27, 2001**

(54) **LAMP HOUSING**

(75) **Inventor:** **David Pham**, Monrovia, CA (US)

(73) **Assignee:** **Minka Lighting, Inc.**, Corona, CA (US)

(\*\*) **Term:** **14 Years**

(21) **Appl. No.:** **29/115,933**

(22) **Filed:** **Dec. 22, 1999**

(51) **LOC (7) Cl.** ..... **26-05**

(52) **U.S. Cl.** ..... **D26/72**

(58) **Field of Search** ..... D26/72-92, 141-145,  
D26/155, 67-71; 362/404-408, 147, 432

(56) **References Cited**

**U.S. PATENT DOCUMENTS**

- D. 62,693 \* 7/1923 Crowell ..... D26/87
- D. 313,868 \* 1/1991 Shyu ..... D26/87
- D. 334,349 \* 3/1993 Maini ..... D26/87 X
- D. 387,464 \* 12/1997 Hoffman ..... D26/87

**OTHER PUBLICATIONS**

Taiwan Lighting, lamp No. D1010 on p. 253, Aug. 1993.\*  
 Taiwan Lighting, lamp No. 1734-2 on p. 164, Nov. 1996.\*  
 Minka Lighting, Inc.; The Great Outdoors: Collection of  
 Outdoor Lighting, Minka Lavery; Jan. 29, 1999; pp. 24, 25,  
 32, 33, 47, 74; ML99-2-ON Minka Lighting, Inc.; U.S.A.

\* cited by examiner

*Primary Examiner*—Susan J. Lucas

*Assistant Examiner*—Linda Brooks

(74) *Attorney, Agent, or Firm*—Jenkins & Gilchrist, P.C.

(57) **CLAIM**

The ornamental design for a lamp housing, as shown and described.

**DESCRIPTION**

FIG. 1 is a left side elevational view of one embodiment of

the lamp housing in accordance with the design, illustrated in the environment of a lamp, the right side being a mirror image thereof;

FIG. 2 is a perspective view of the embodiment of the lamp housing from FIG. 1 in accordance with the design, illustrating the top, left, and front side;

FIG. 3 is a top plan view of the embodiment of the lamp housing from FIG. 1 in accordance with the design;

FIG. 4 is a rear elevational view of the embodiment of the lamp housing from FIG. 1 in accordance with the design;

FIG. 5 is a left side elevational view of the embodiment of the lamp housing from FIG. 1 in accordance with the design, the right side being a mirror image thereof;

FIG. 6 is a bottom plan view of the embodiment of the lamp housing from FIG. 1 in accordance with the design;

FIG. 7 is a left side elevational view of another embodiment of the lamp housing in accordance with the design, illustrated in the environment of a lamp, the right side being a mirror image thereof;

FIG. 8 is a top plan view of the embodiment of the lamp housing from FIG. 7 in accordance with the design;

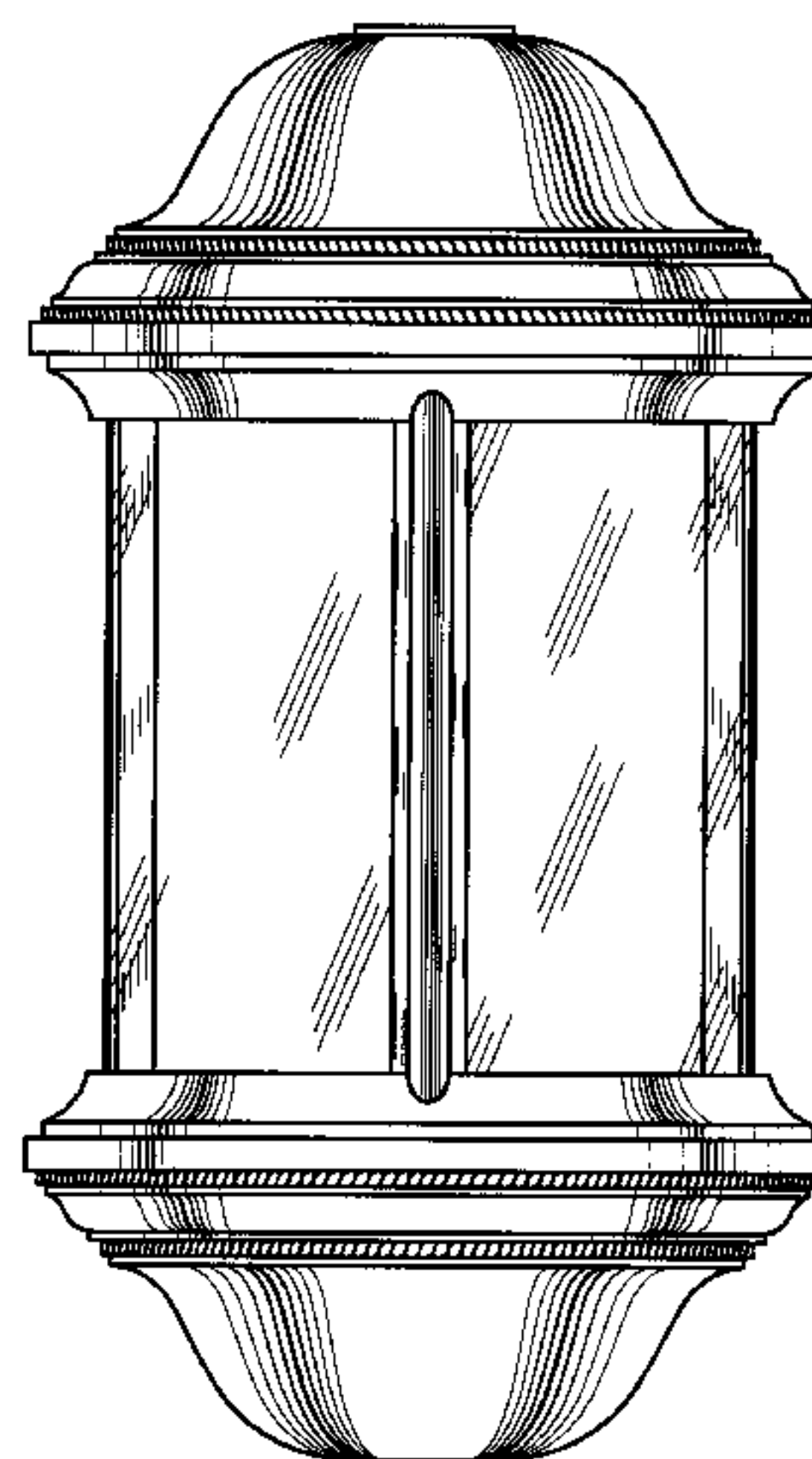
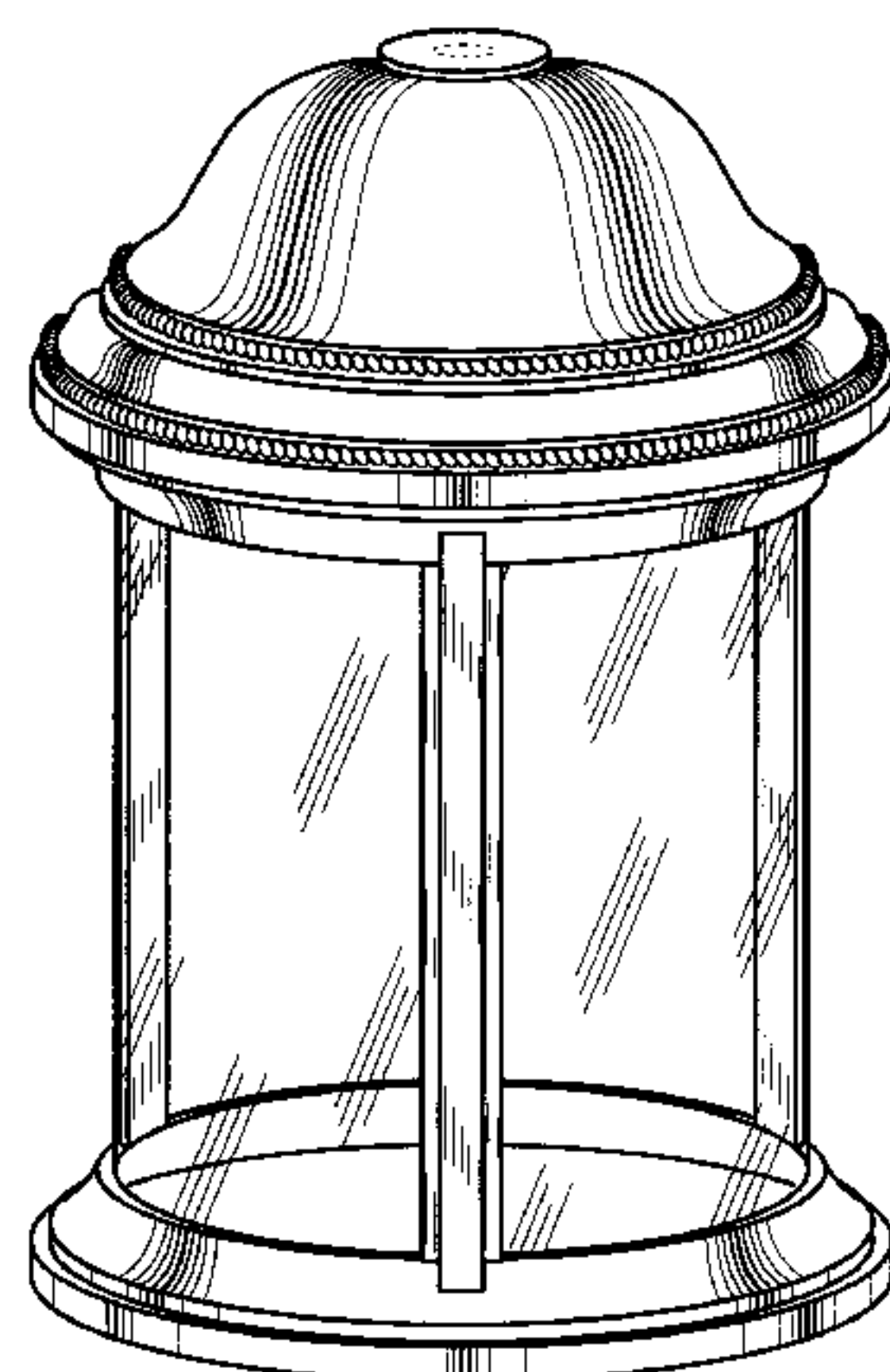
FIG. 9 is a rear elevational view of the embodiment of the lamp housing from FIG. 7 in accordance with the design;

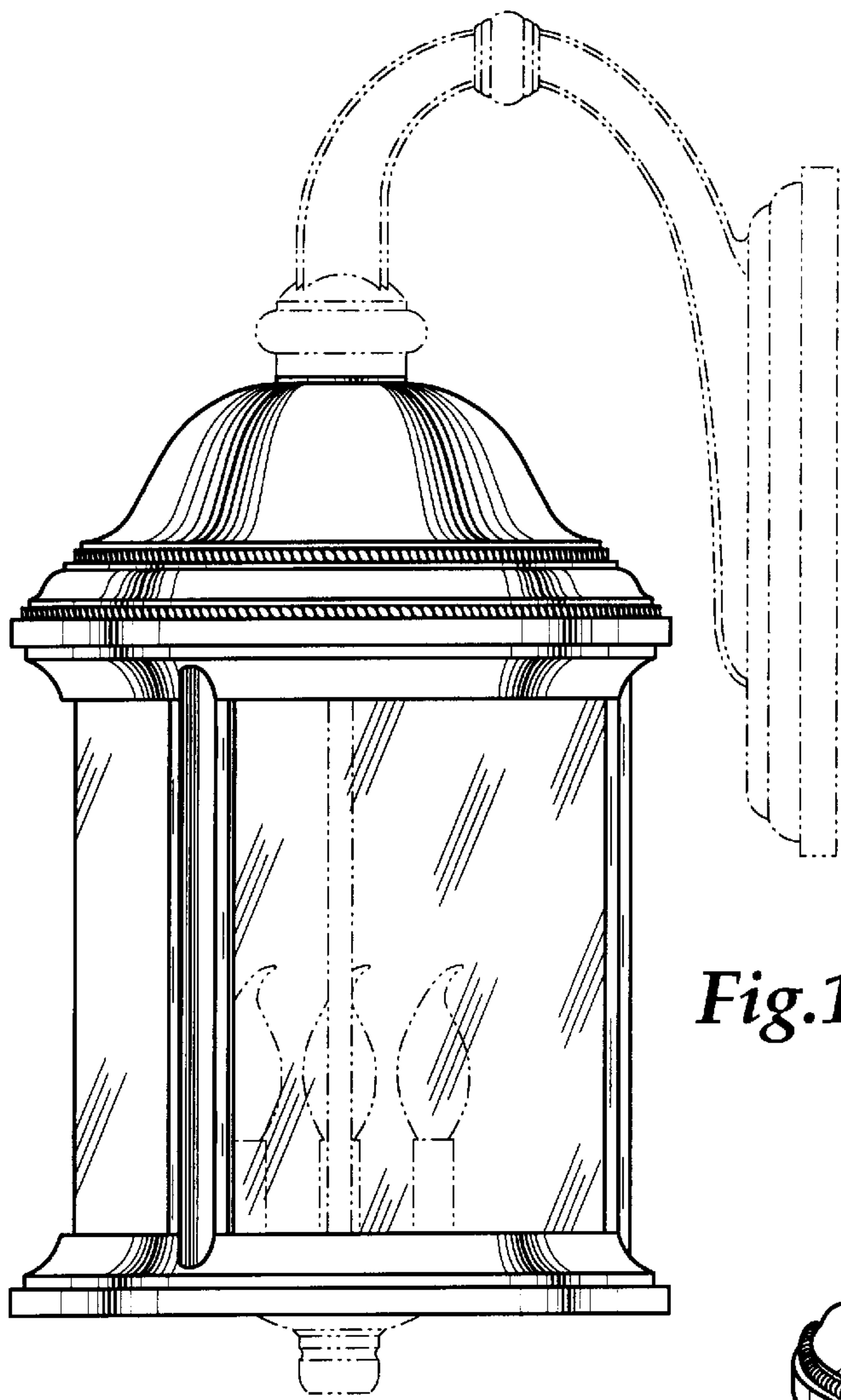
FIG. 10 is a left side elevational view of the embodiment of the lamp housing from FIG. 7 in accordance with the design, the right side being a mirror image thereof; and,

FIG. 11 is a bottom plan view of the embodiment of the lamp housing from FIG. 7 in accordance with the design.

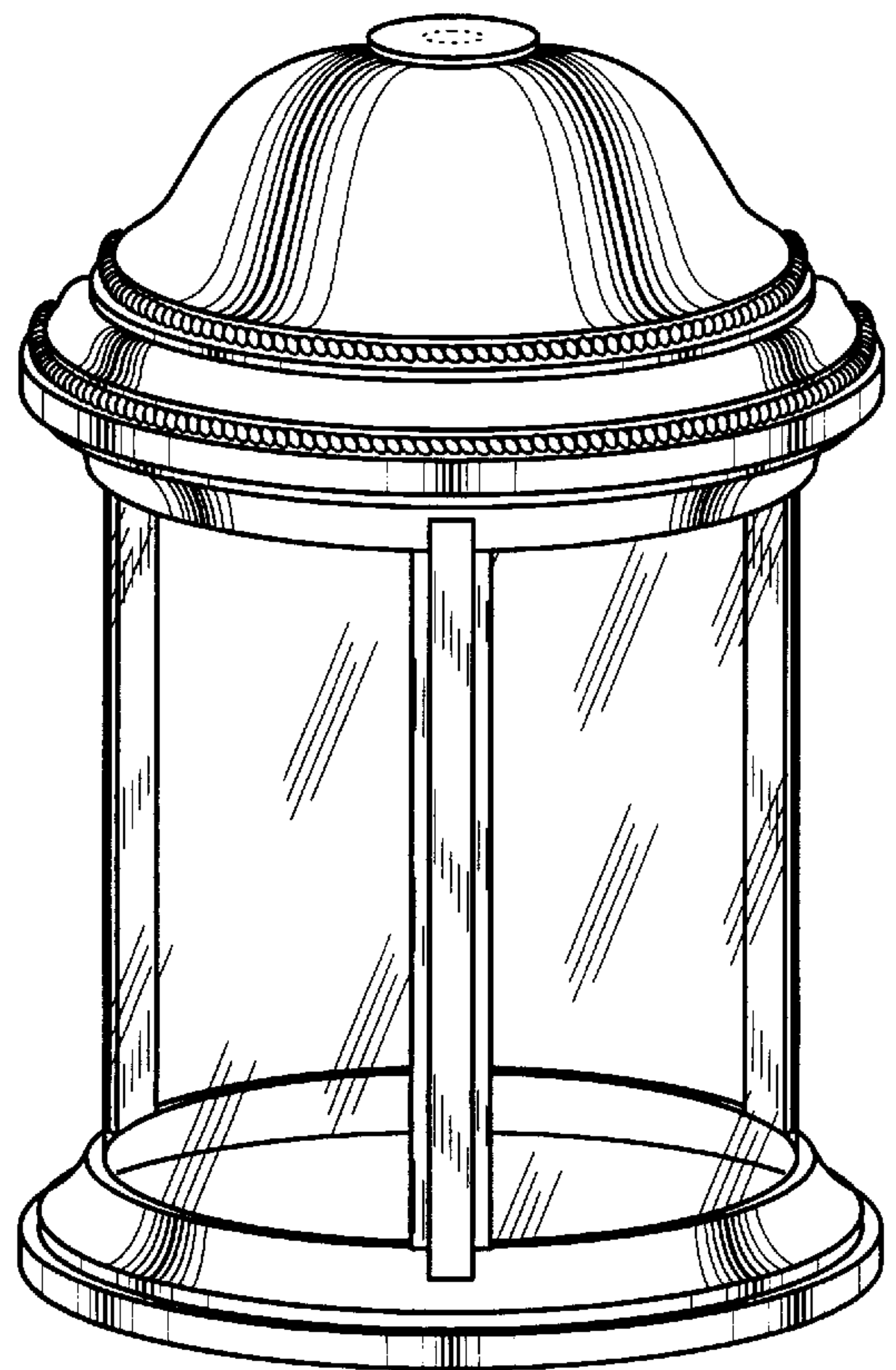
The broken lines show the environment in which the article is used and are not considered part of the design claimed.

**1 Claim, 4 Drawing Sheets**



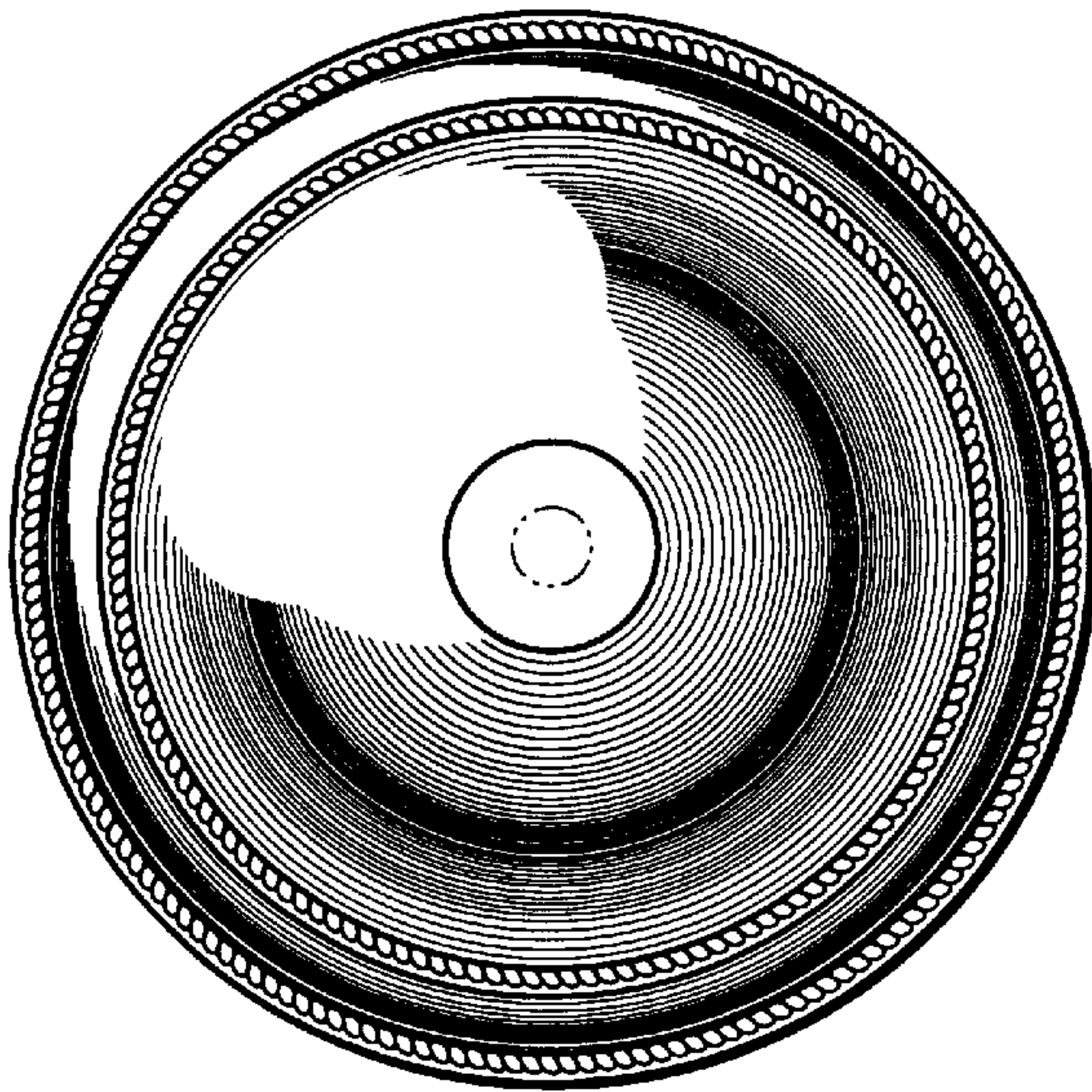


*Fig.1*

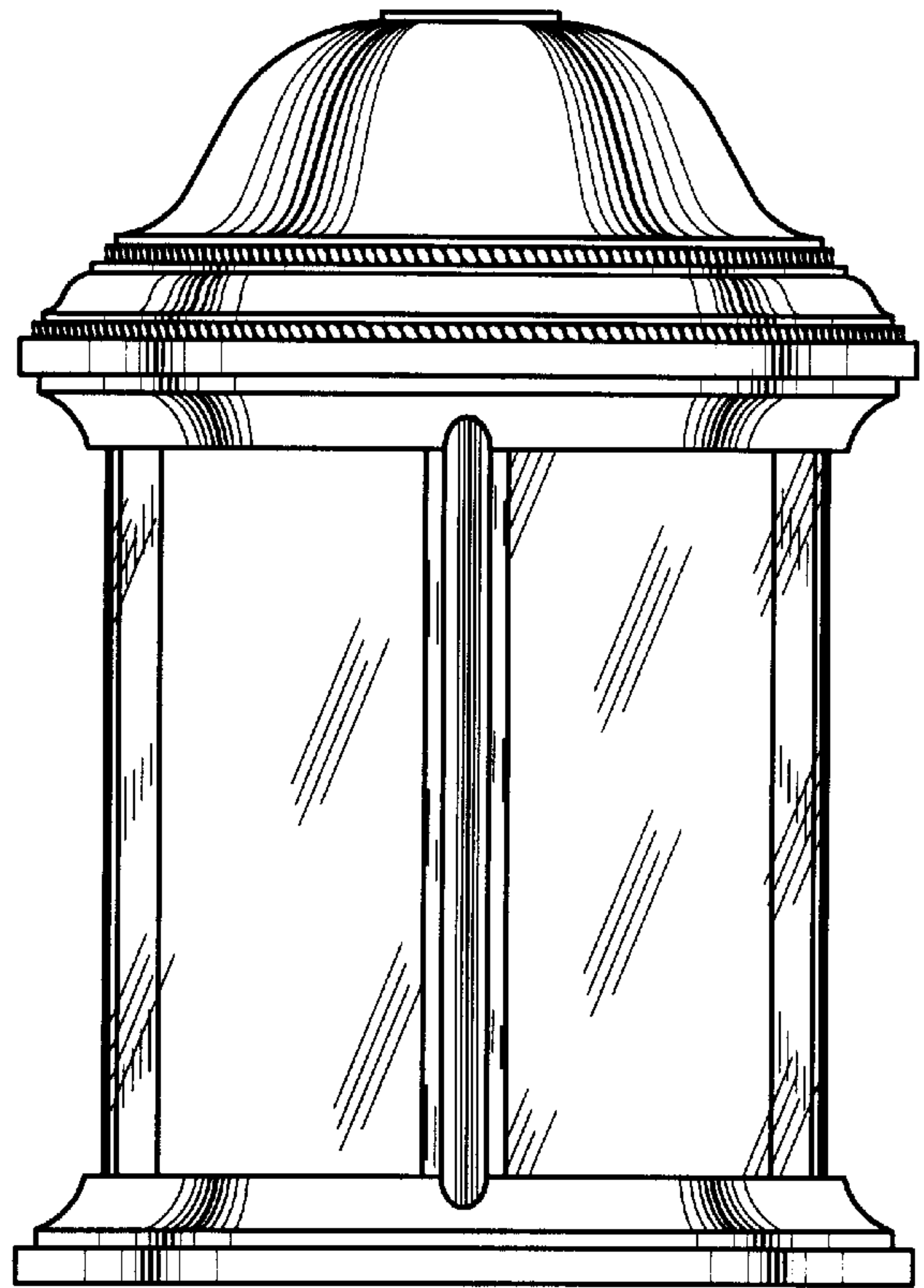


*Fig.2*

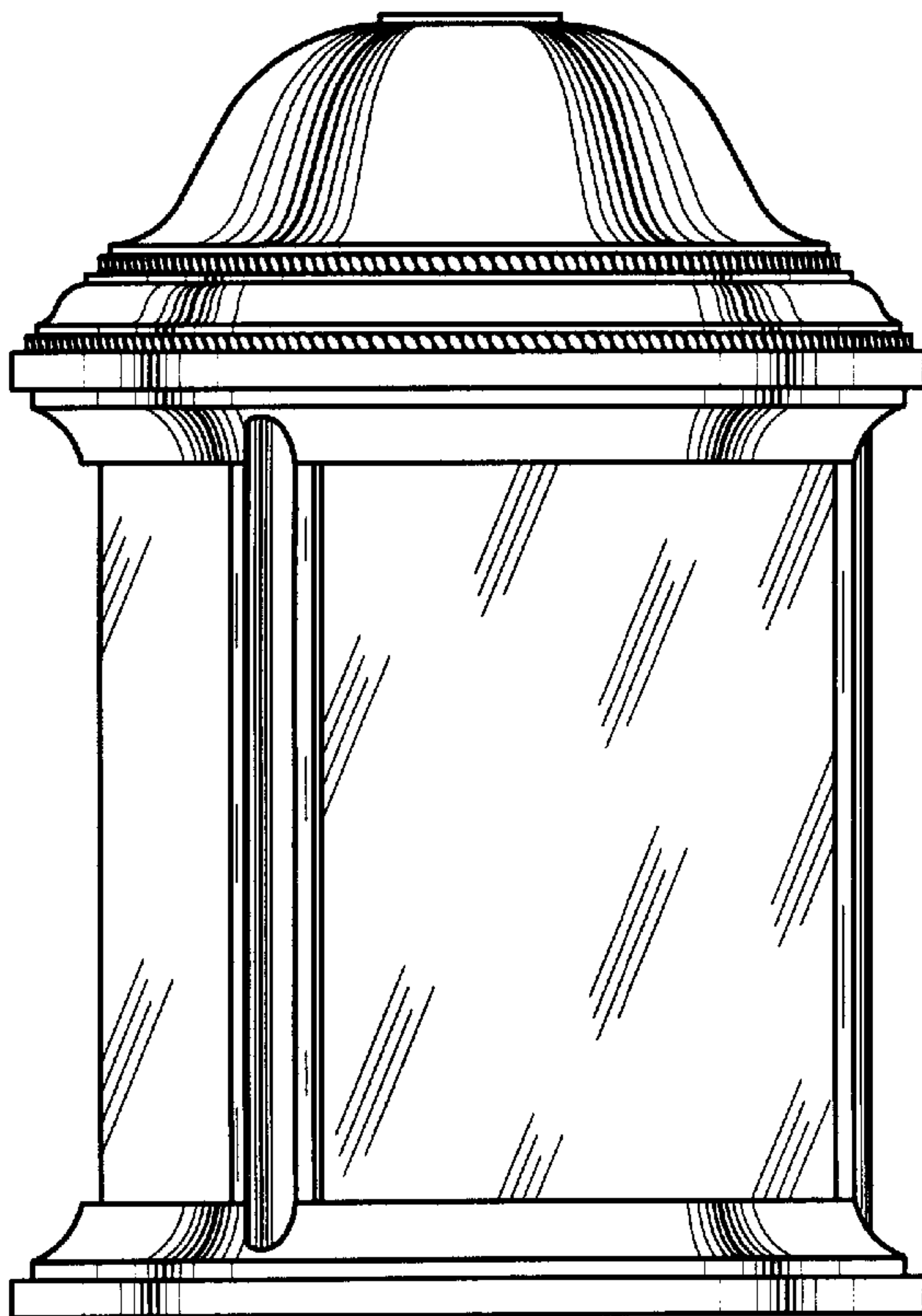




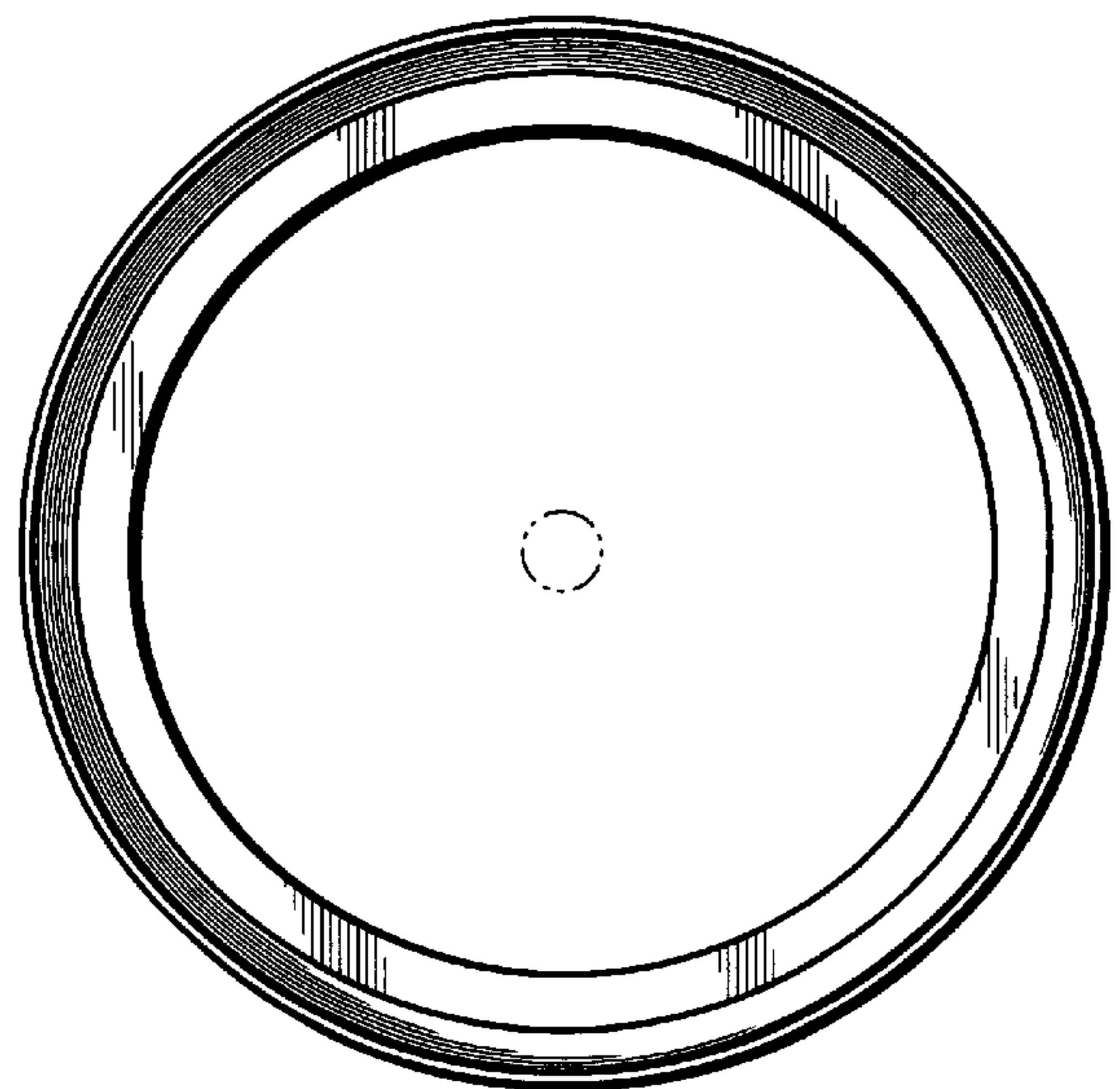
*Fig.3*



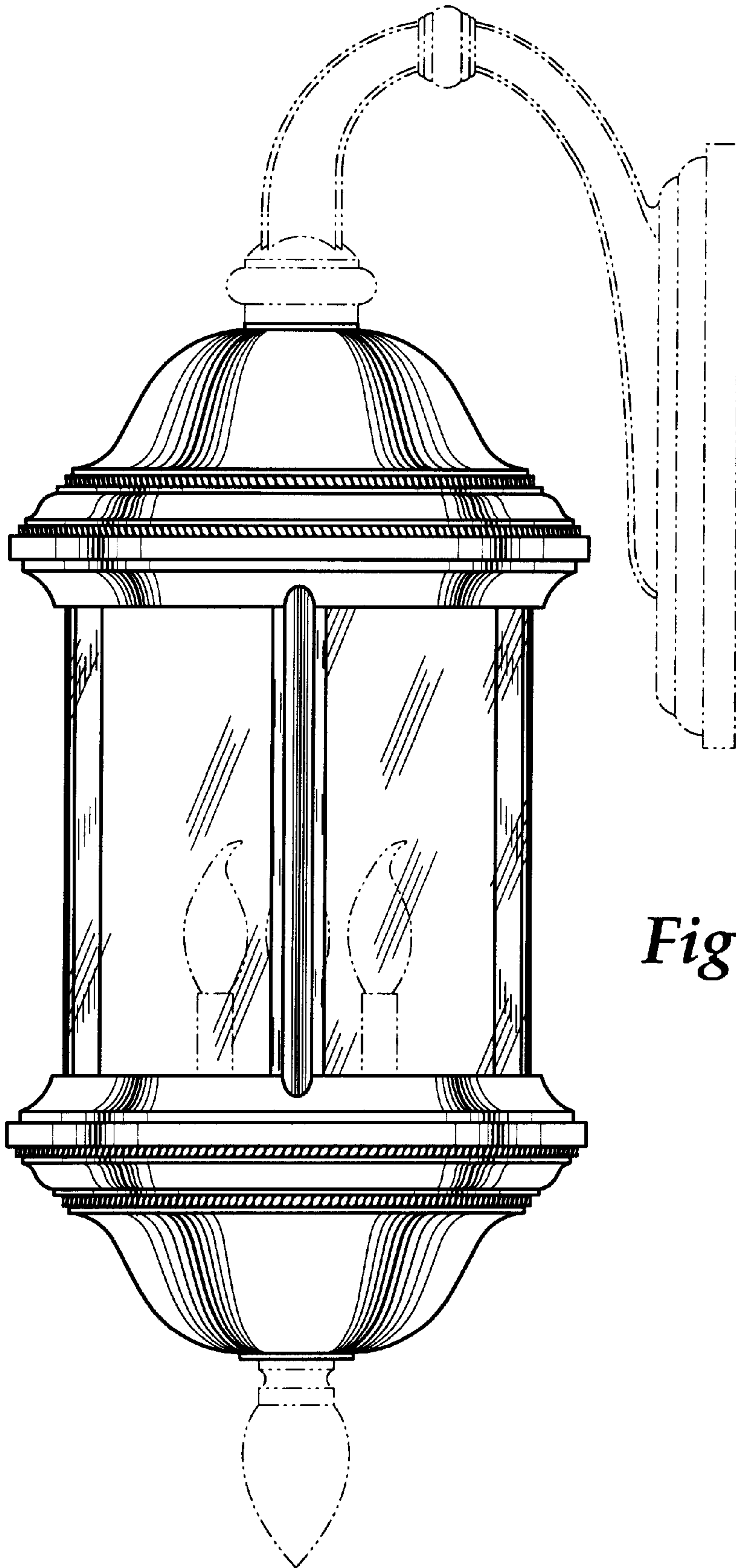
*Fig.4*



*Fig.5*

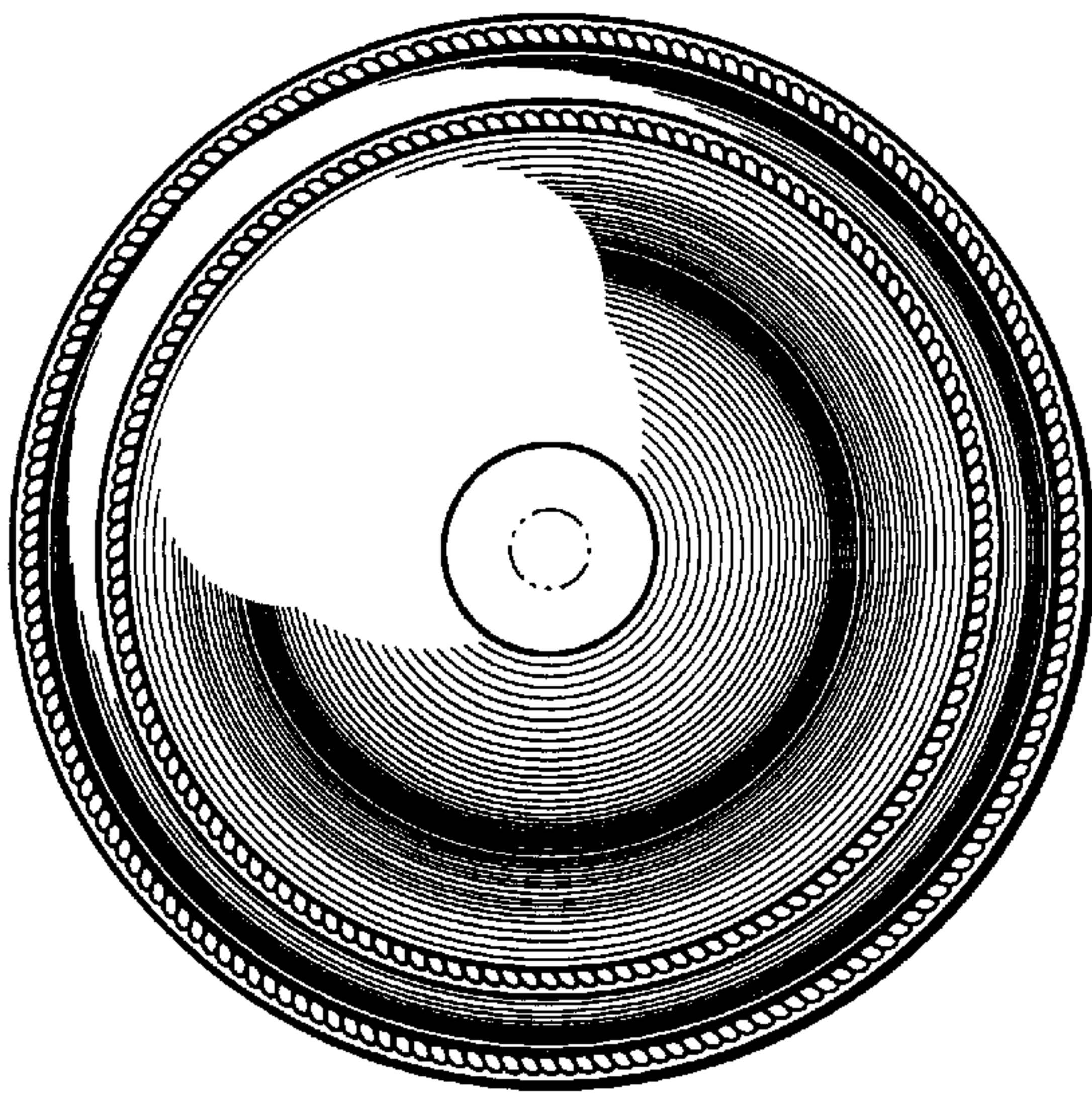


*Fig.6*

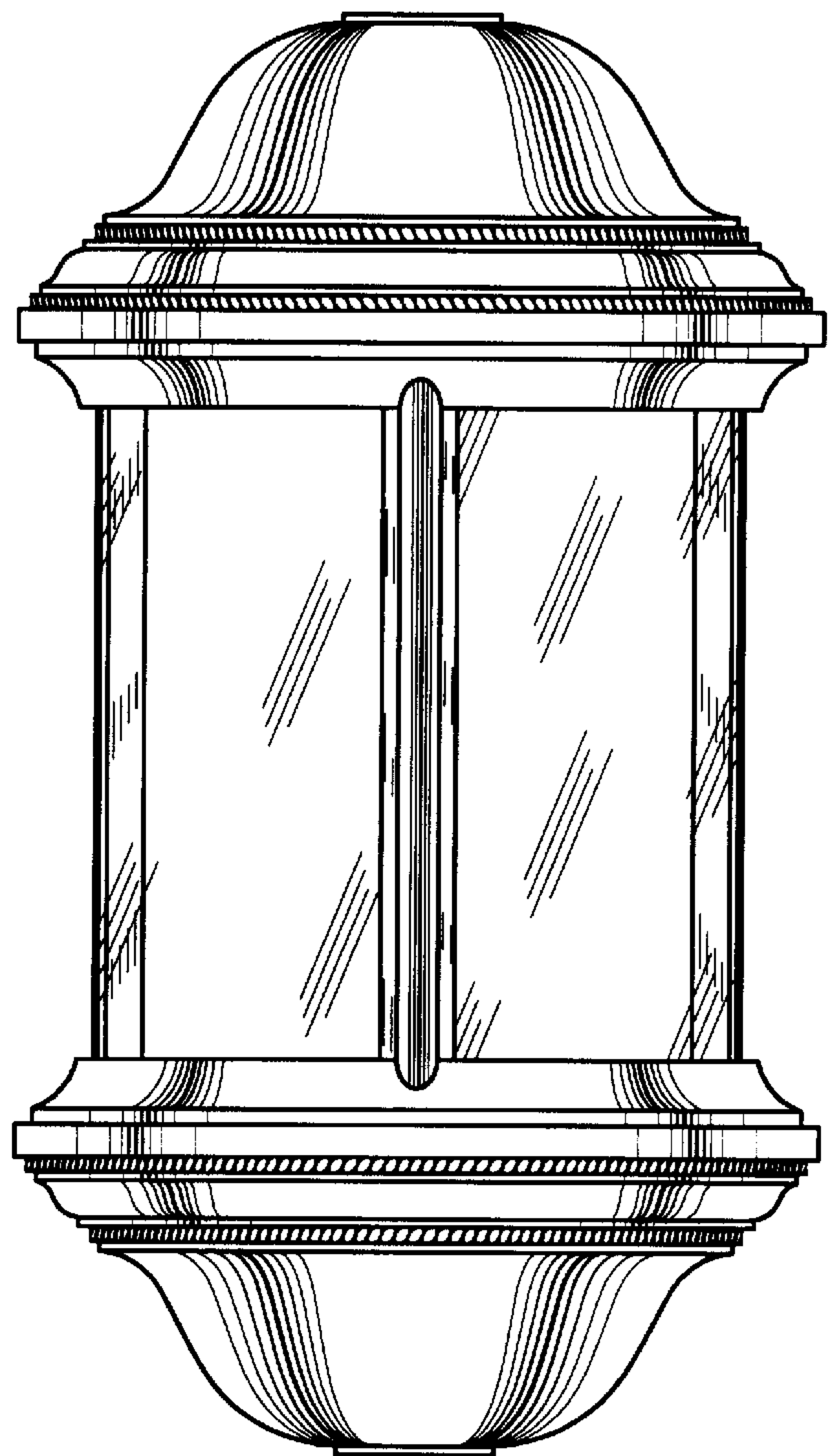


*Fig.7*

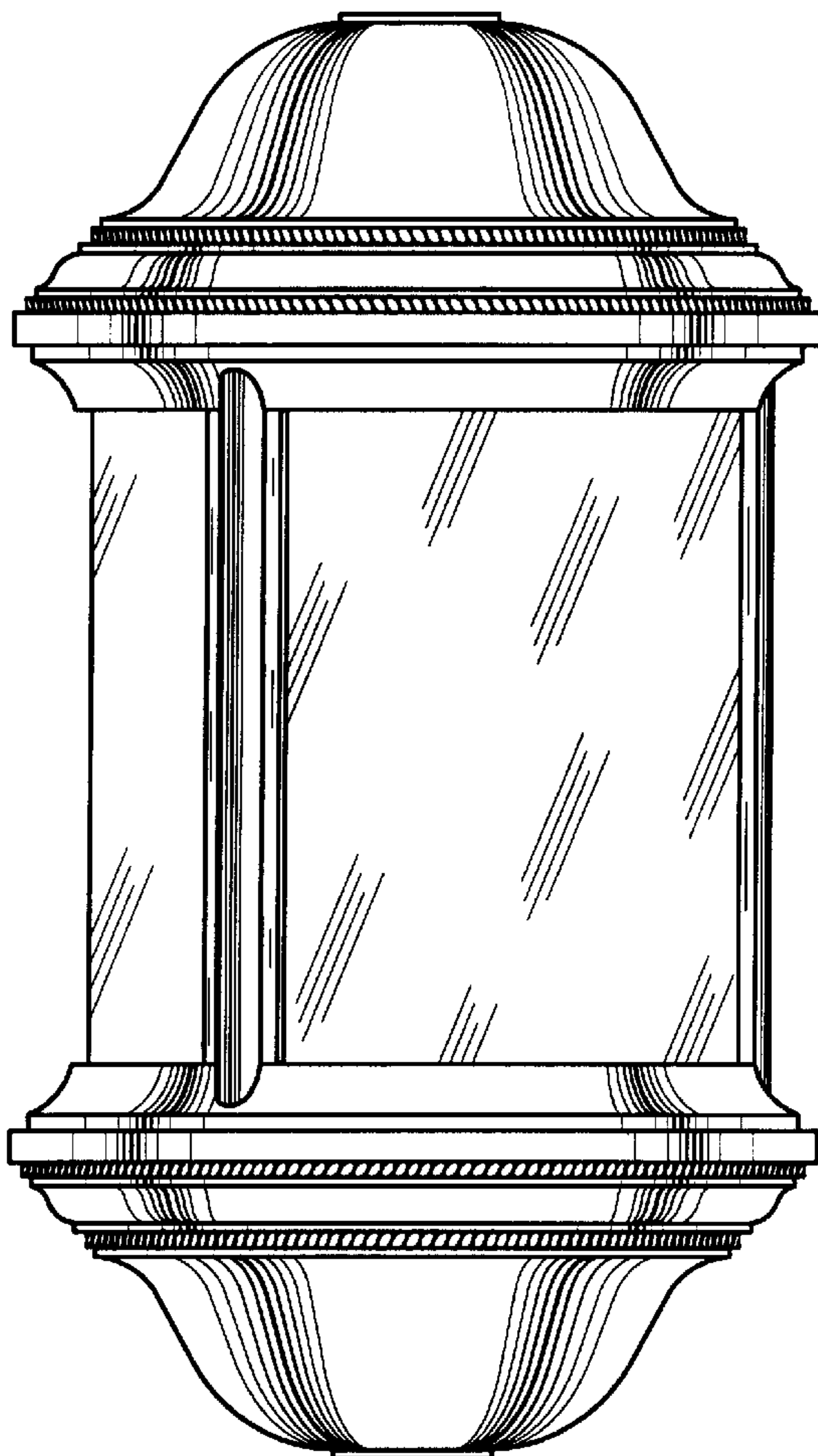




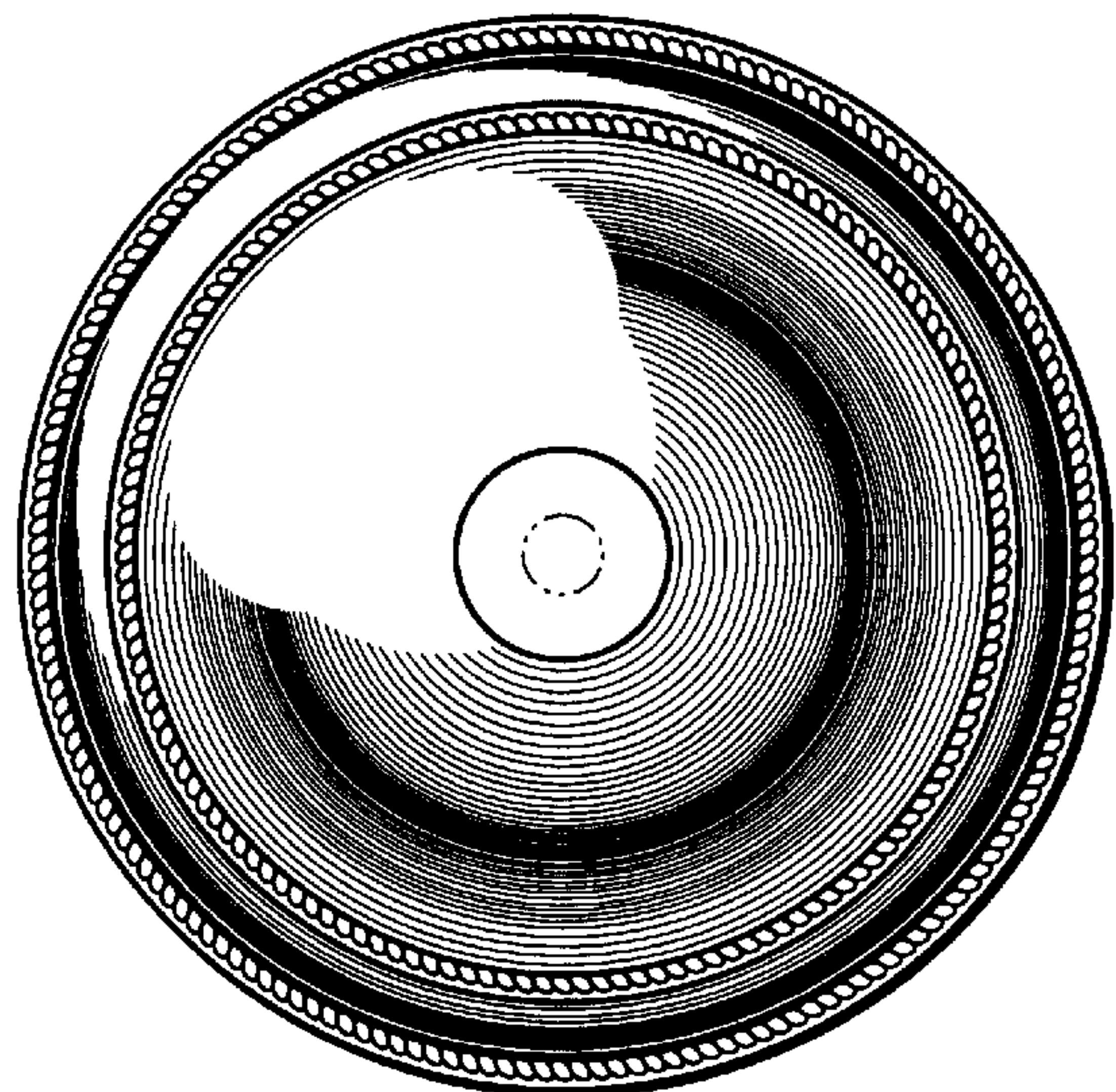
*Fig. 8*



*Fig. 9*



*Fig. 10*



*Fig. 11*