



US00D438322S

(12) **United States Design Patent** (10) **Patent No.:** **US D438,322 S**
Skradski et al. (45) **Date of Patent:** **** Feb. 27, 2001**

(54) **LIGHTING FIXTURE**

(75) Inventors: **Thomas J. Skradski**, Piedmont; **Gary L. Cross**, San Francisco, both of CA (US)

(73) Assignee: **Lumenworks Lighting Products, Inc.**, Oakland, CA (US)

(**) Term: **14 Years**

(21) Appl. No.: **29/117,708**

(22) Filed: **Jan. 27, 2000**

(51) **LOC (7) Cl.** **26-05**

(52) **U.S. Cl.** **D26/68**

(58) **Field of Search** D26/67-72, 85-92, D26/118, 119, 128-137; 362/153, 145, 153.1, 267, 269, 270, 287, 418, 419, 427, 431

(56) **References Cited**

U.S. PATENT DOCUMENTS

- D. 338,080 * 8/1993 Elazari D26/68
- D. 407,842 * 4/1999 Landefeld D26/68
- 5,649,760 * 7/1997 Beadle 362/431 X

OTHER PUBLICATIONS

Advertising literature, SATCO, Halogen Plant Lighting System (undated) available prior to filing date.

Product packaging, Intermatic, Malibu Shrub Up-Lite, Architectural Grade Cast Metal (undated) available prior to filing date.

* cited by examiner

Primary Examiner—Alan P. Douglas

Assistant Examiner—Linda Brooks

(74) *Attorney, Agent, or Firm*—Donald L. Beeson

(57) **CLAIM**

The ornamental design for a lighting fixture, as shown and described.

DESCRIPTION

FIG. 1 is a top perspective view of a lighting fixture showing our new design;

FIG. 2 is a bottom perspective view thereof;

FIG. 3 is a front elevational view thereof;

FIG. 4 is a right side elevational view thereof;

FIG. 5 is a rear elevational view thereof;

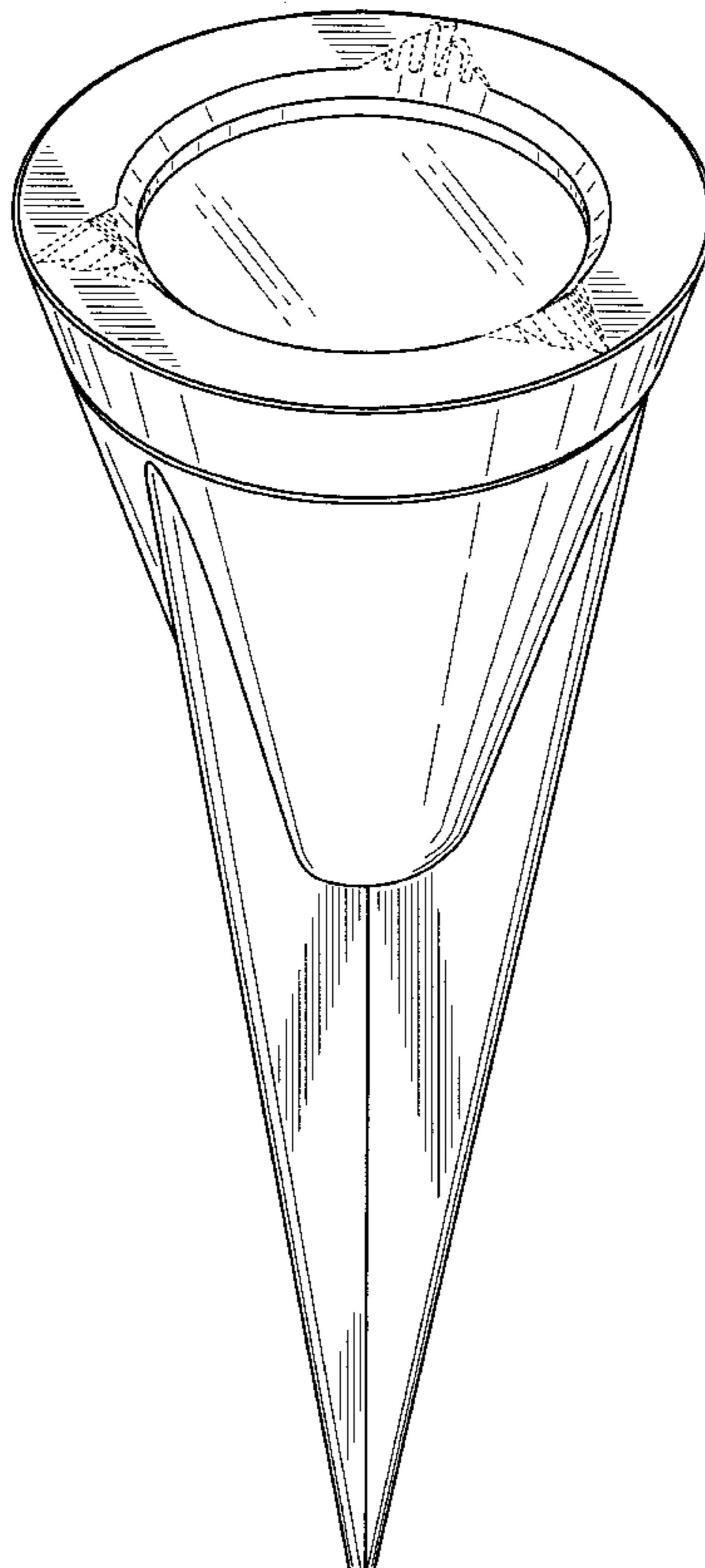
FIG. 6 is a left side elevational view thereof;

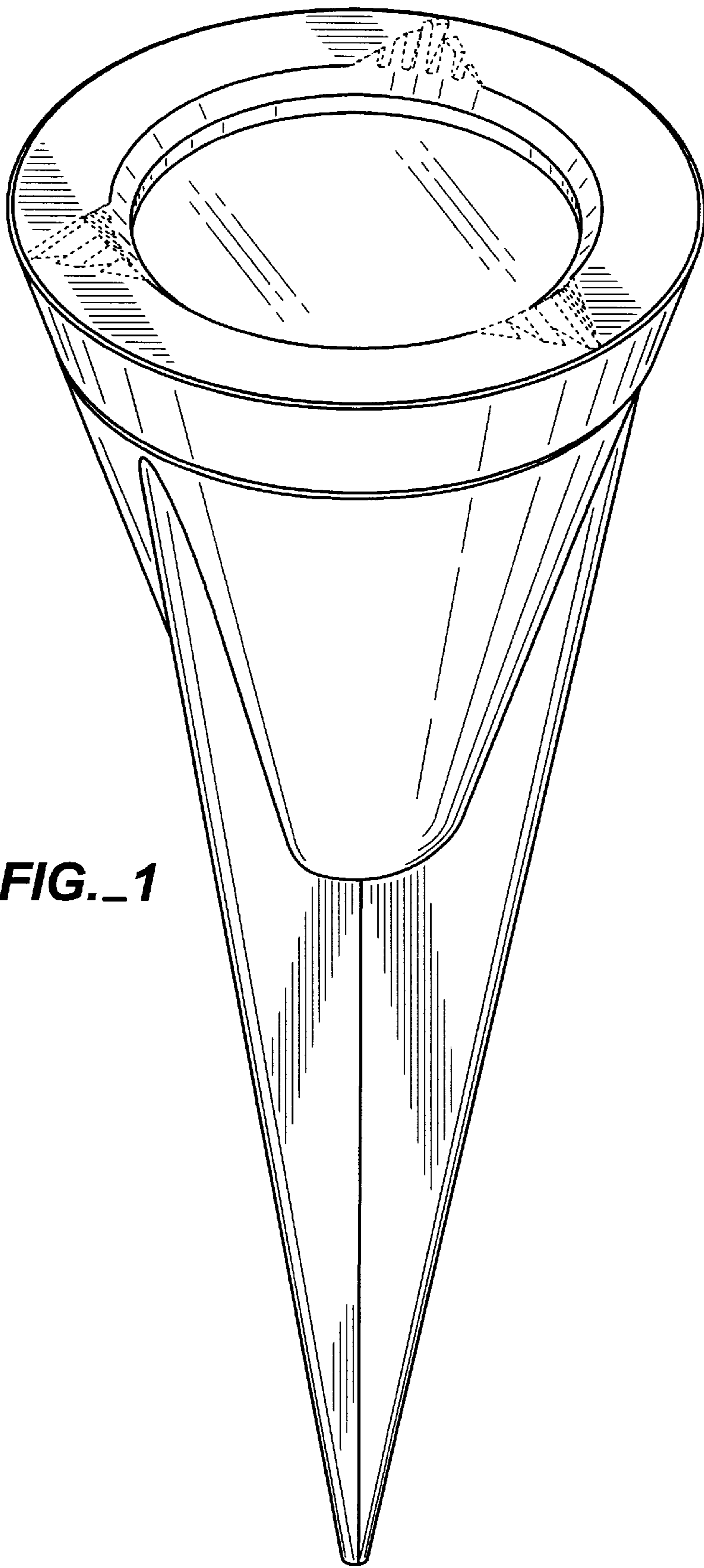
FIG. 7 is a top plan view thereof; and,

FIG. 8 is a bottom plan view thereof.

The broken lines shown in FIGS. 1, 3, 4, 5, 6, and 7 are for illustrative purposes only and indicate the nature and use of our new design.

1 Claim, 7 Drawing Sheets





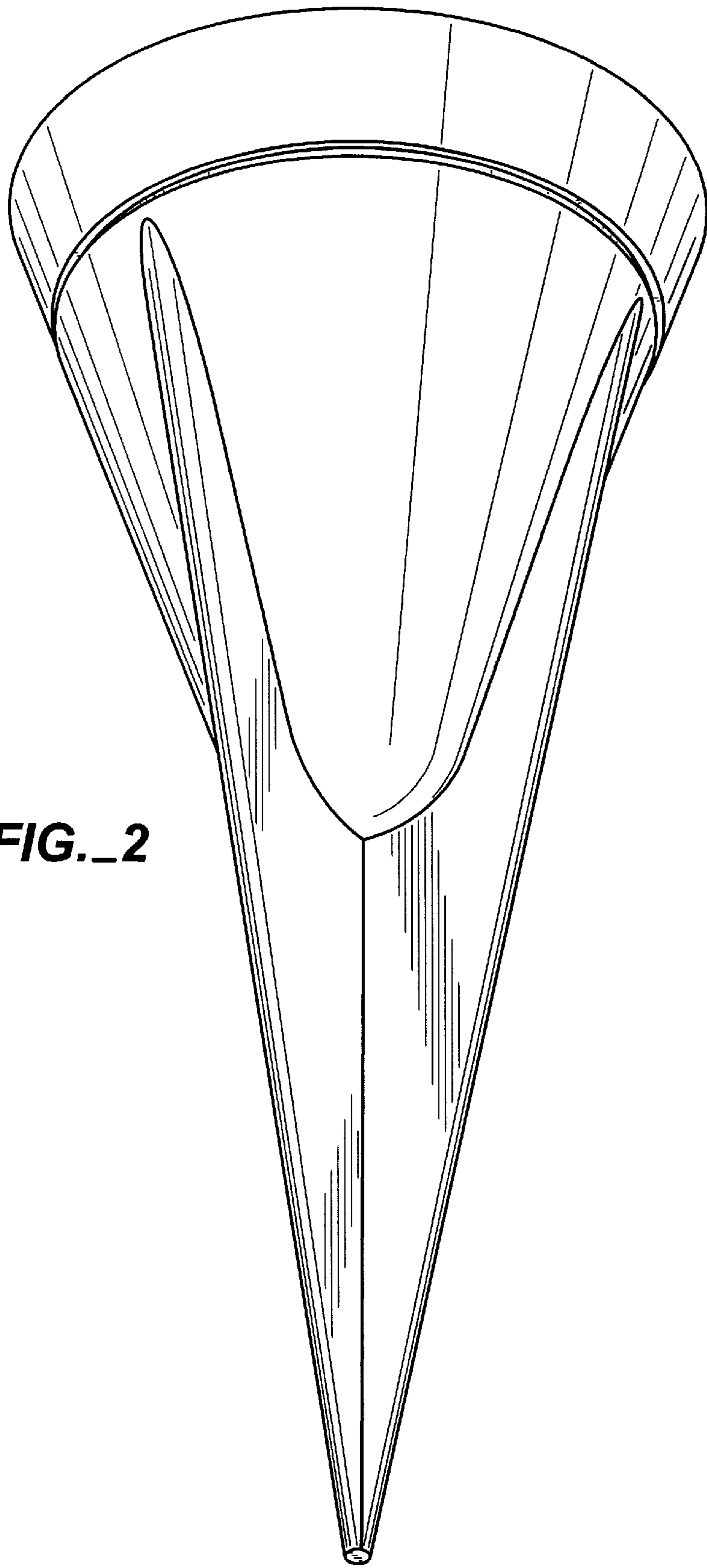


FIG. 2

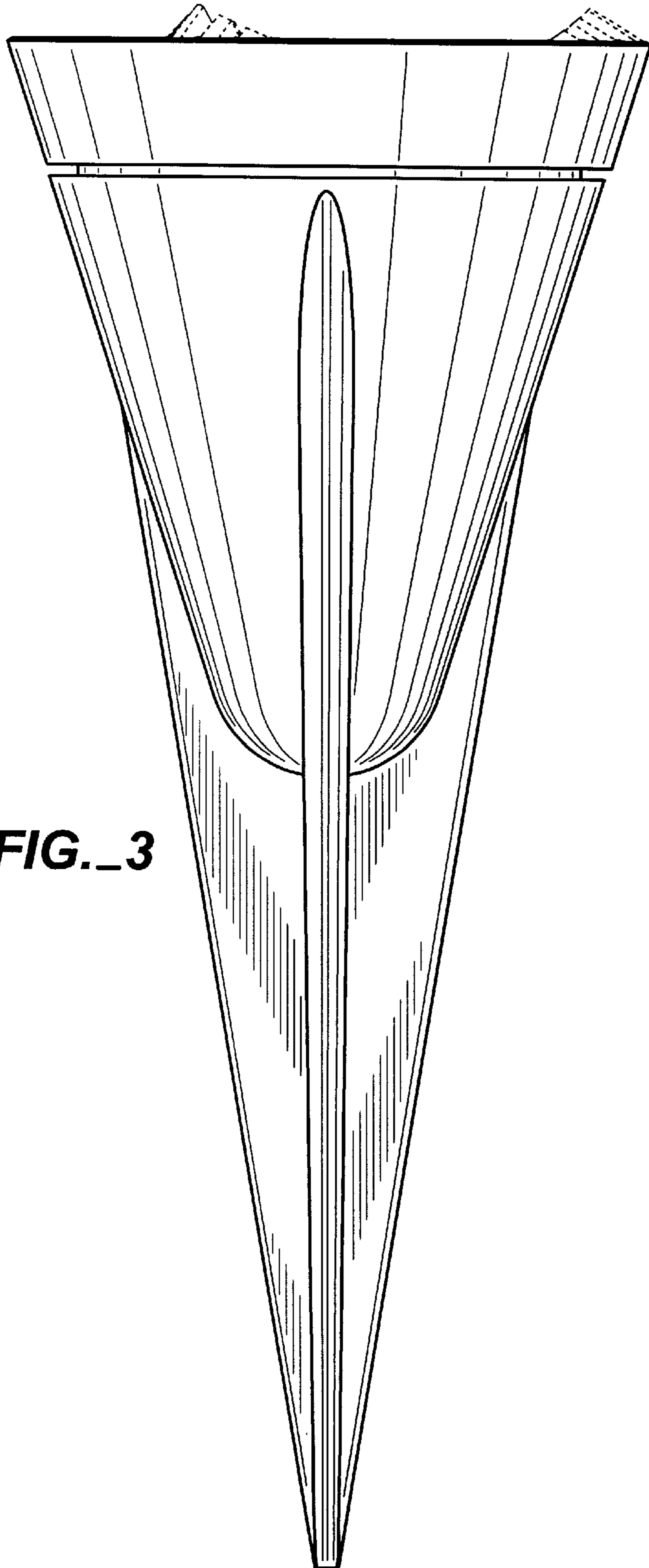
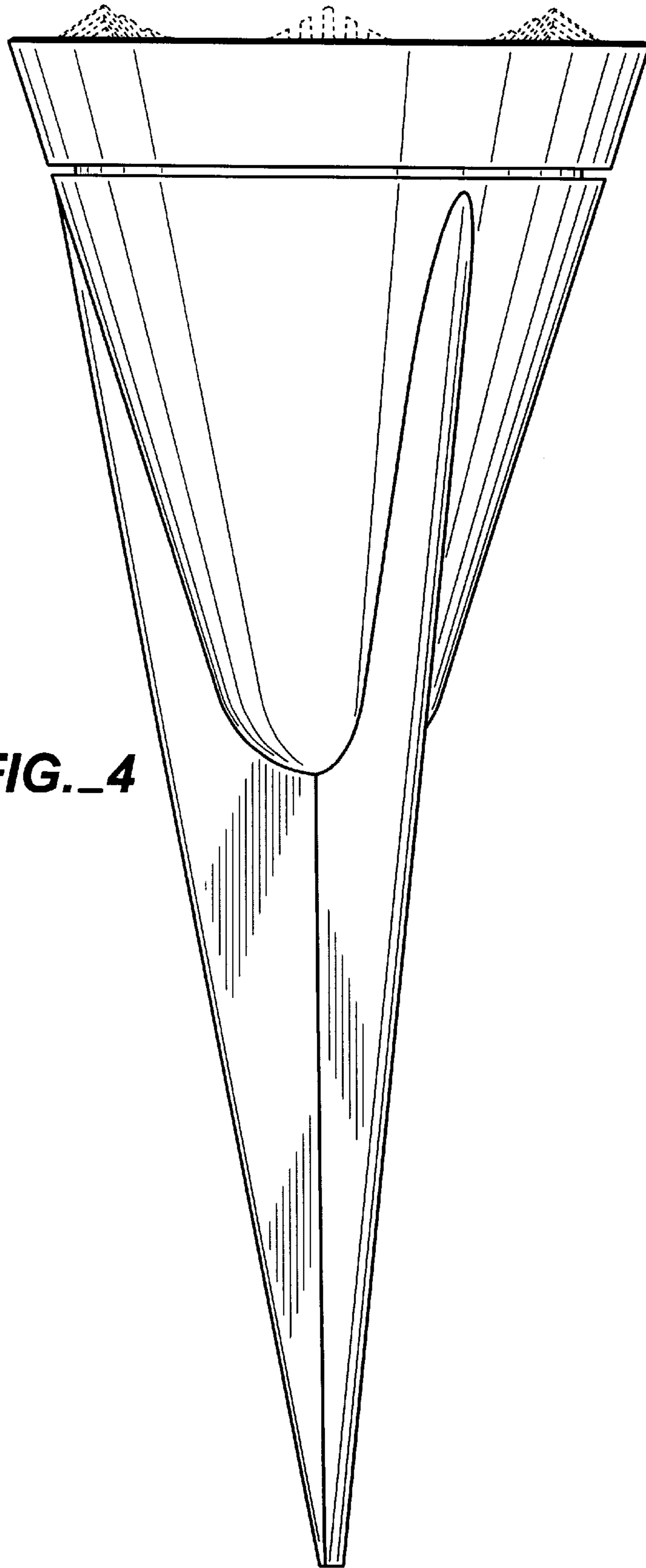


FIG._3



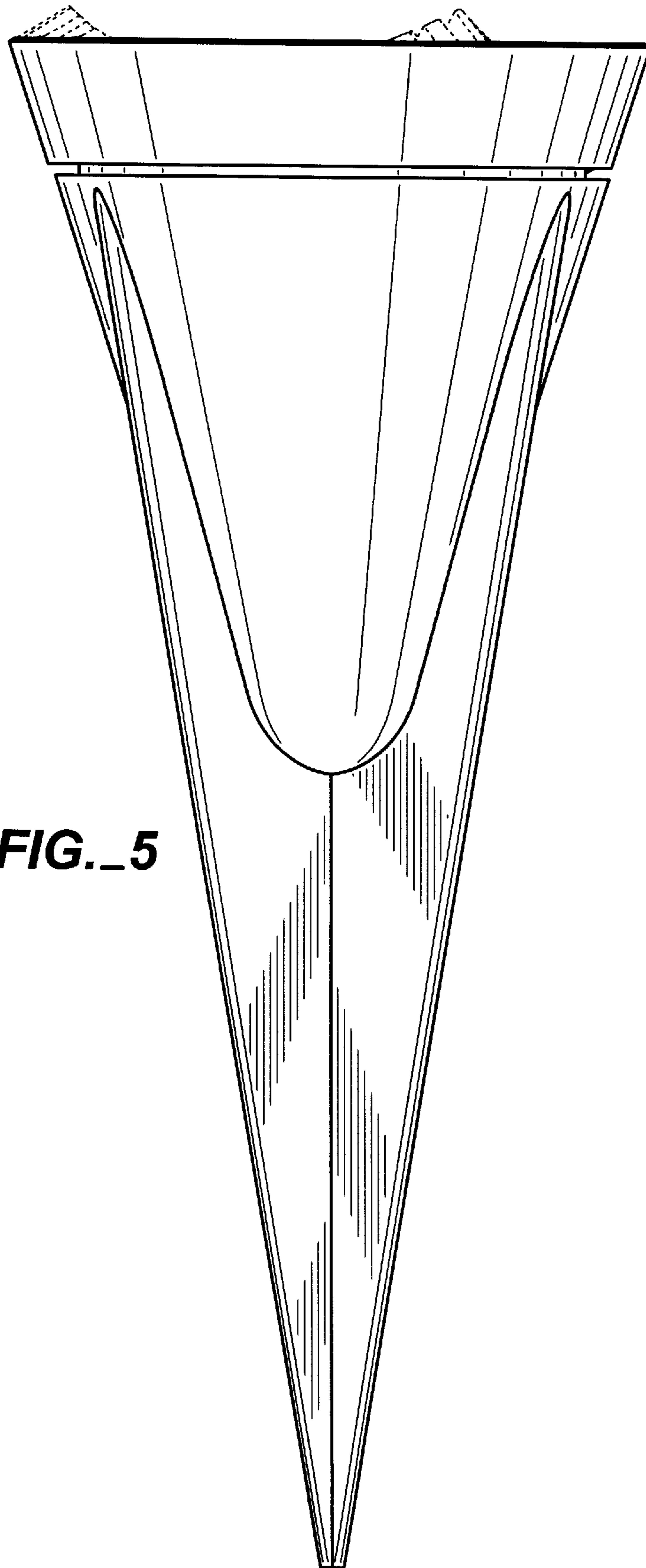


FIG._5

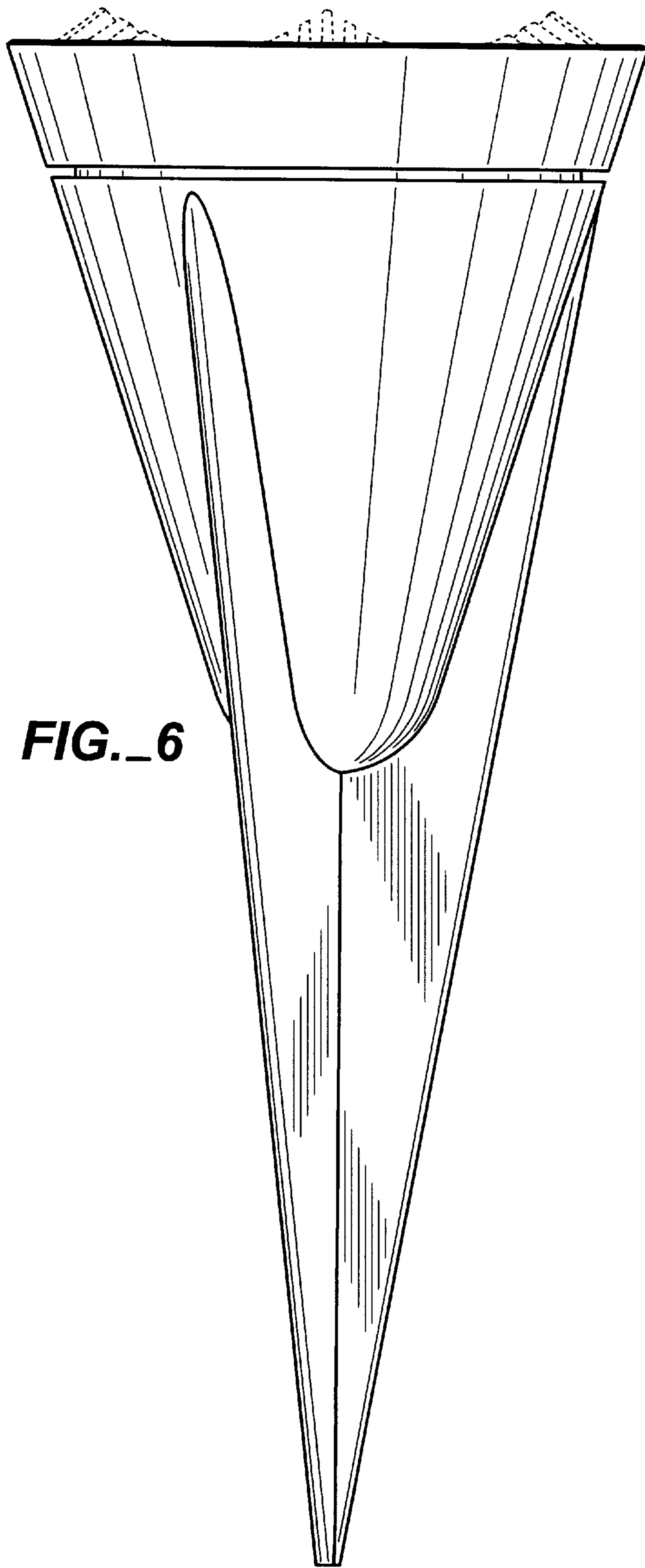


FIG._6

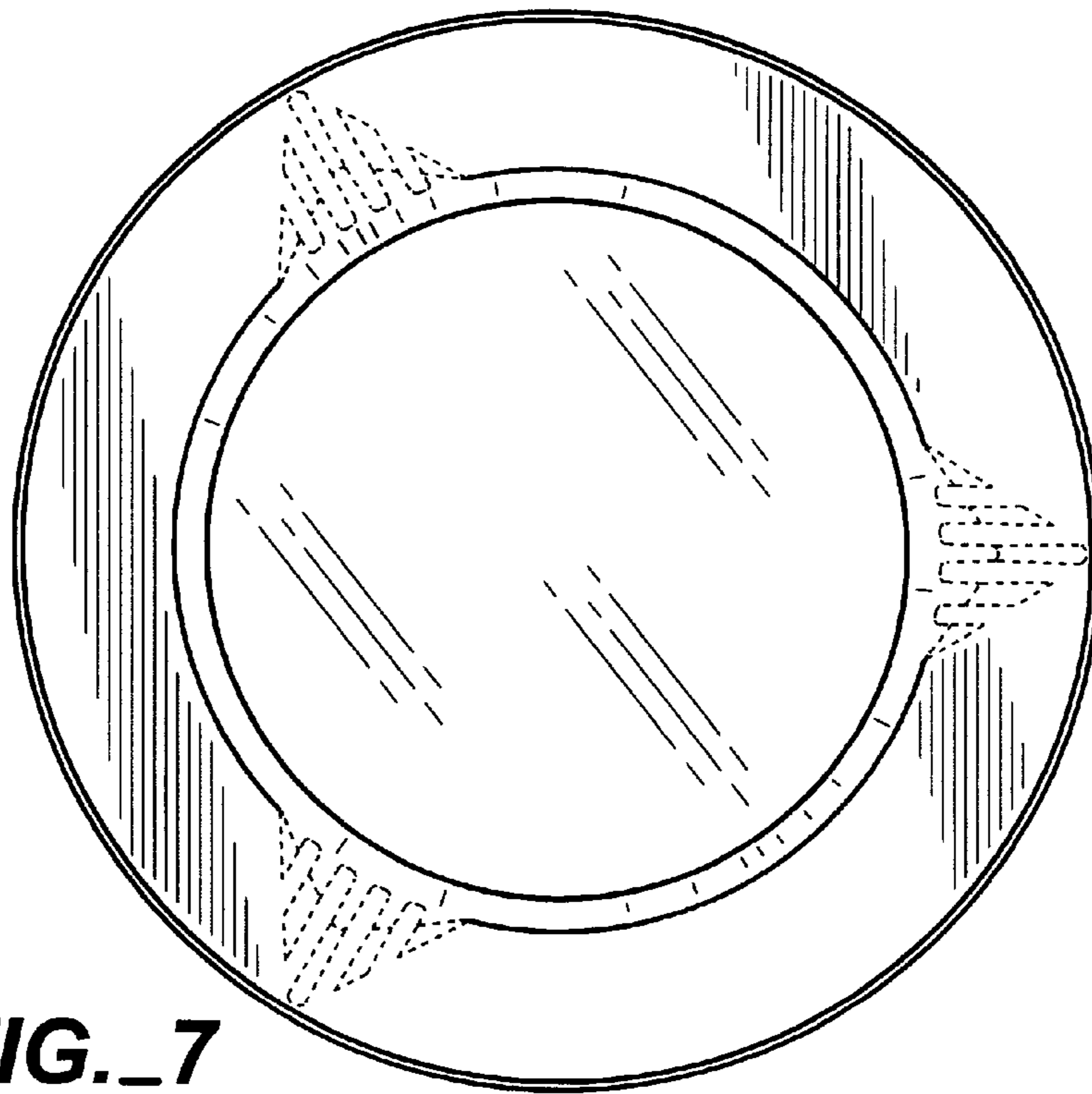


FIG._7

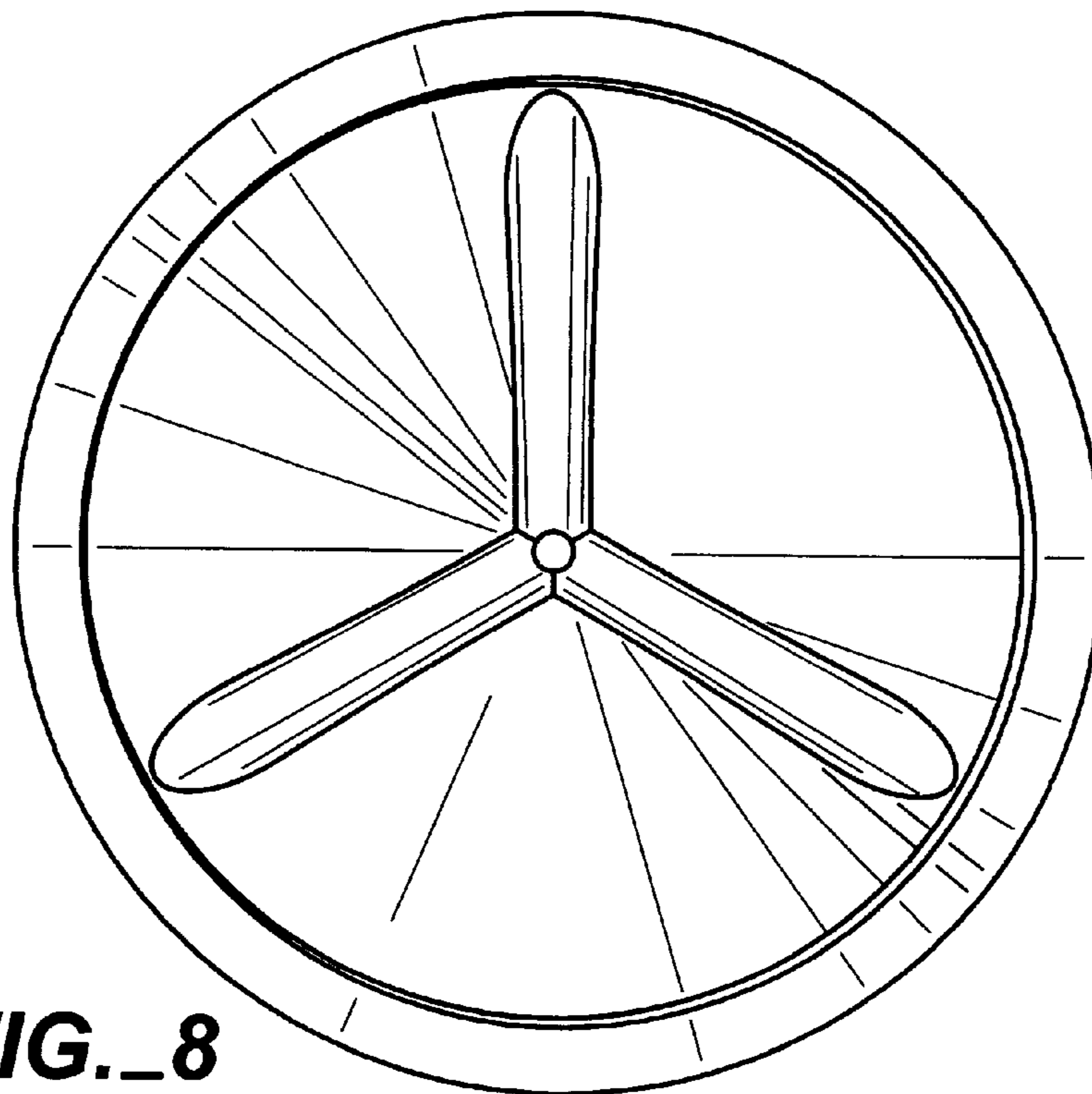


FIG._8