



US00D438320S

(12) **United States Design Patent**
Tang

(10) **Patent No.:** **US D438,320 S**

(45) **Date of Patent:** **** Feb. 27, 2001**

(54) **FLOODLIGHT**

(76) **Inventor:** **Shih-Chuan Tang**, 58, Ma Yuan West St., Taichung (TW)

(**) **Term:** **14 Years**

(21) **Appl. No.:** **29/105,167**

(22) **Filed:** **May 19, 1999**

(51) **LOC (7) Cl.** **26-05**

(52) **U.S. Cl.** **D26/63**

(58) **Field of Search** D26/60, 118; 362/267, 362/269, 271, 272, 273, 276, 282, 283, 285, 287, 418, 419, 427, 296, 297, 301, 306

(56) **References Cited**

U.S. PATENT DOCUMENTS

D. 402,773 * 12/1998 Lo D26/118
5,140,507 * 8/1992 Harwood 362/271

OTHER PUBLICATIONS

Domus magazing, Nov. 1988, ADS, p. 119, spotlight, second from right end.*

* cited by examiner

Primary Examiner—Susan J. Lucas

(57) **CLAIM**

The ornamental design for a floodlight, as shown and described.

DESCRIPTION

FIG. 1 is a perspective view of a floodlight showing my new design;

FIG. 2 is a front elevational view thereof;

FIG. 3 is a rear elevational view thereof;

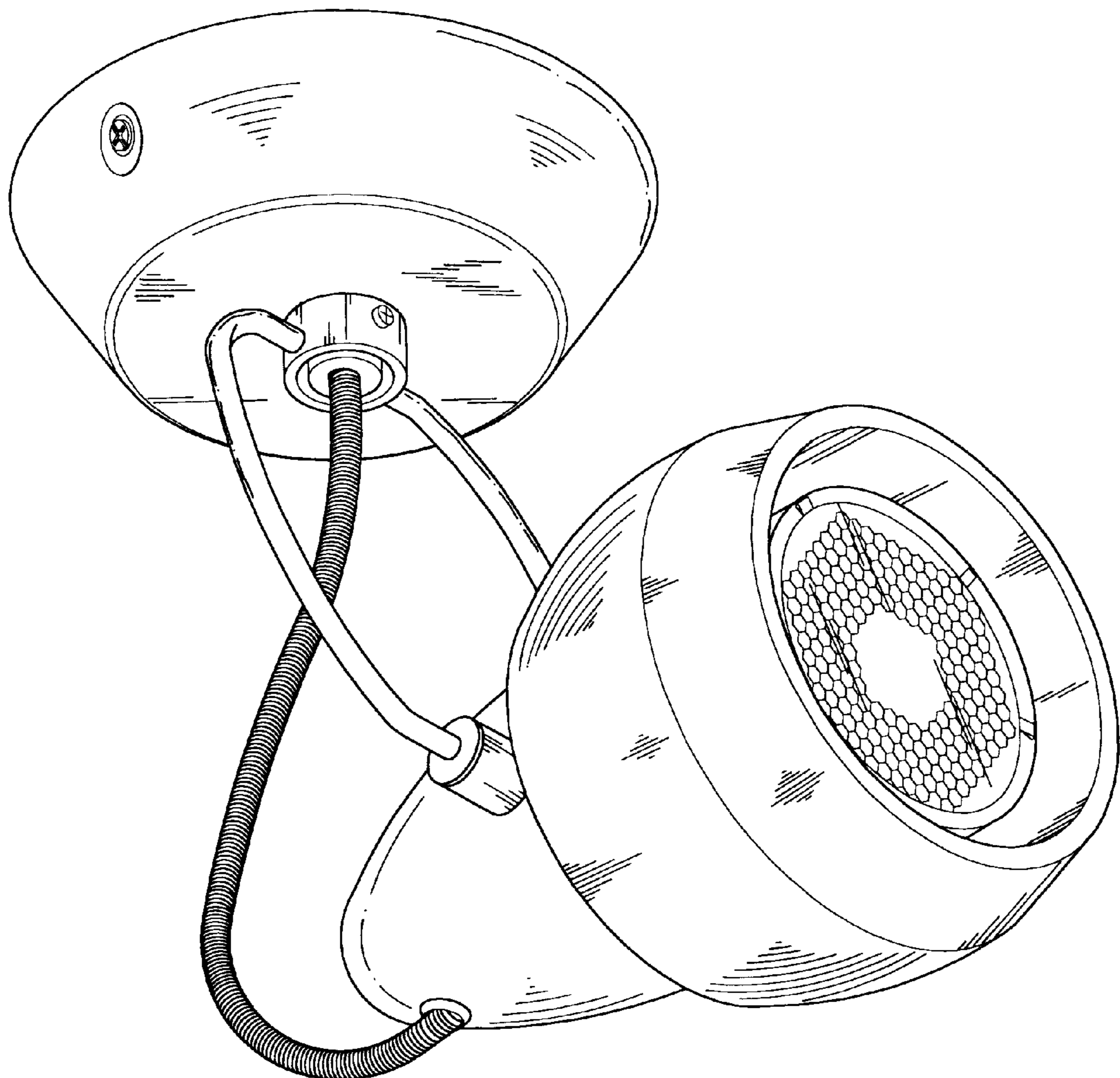
FIG. 4 is a left side elevational view thereof;

FIG. 5 is a right side elevational view thereof;

FIG. 6 is a top plan view thereof; and,

FIG. 7 is a bottom plan view thereof.

1 Claim, 4 Drawing Sheets



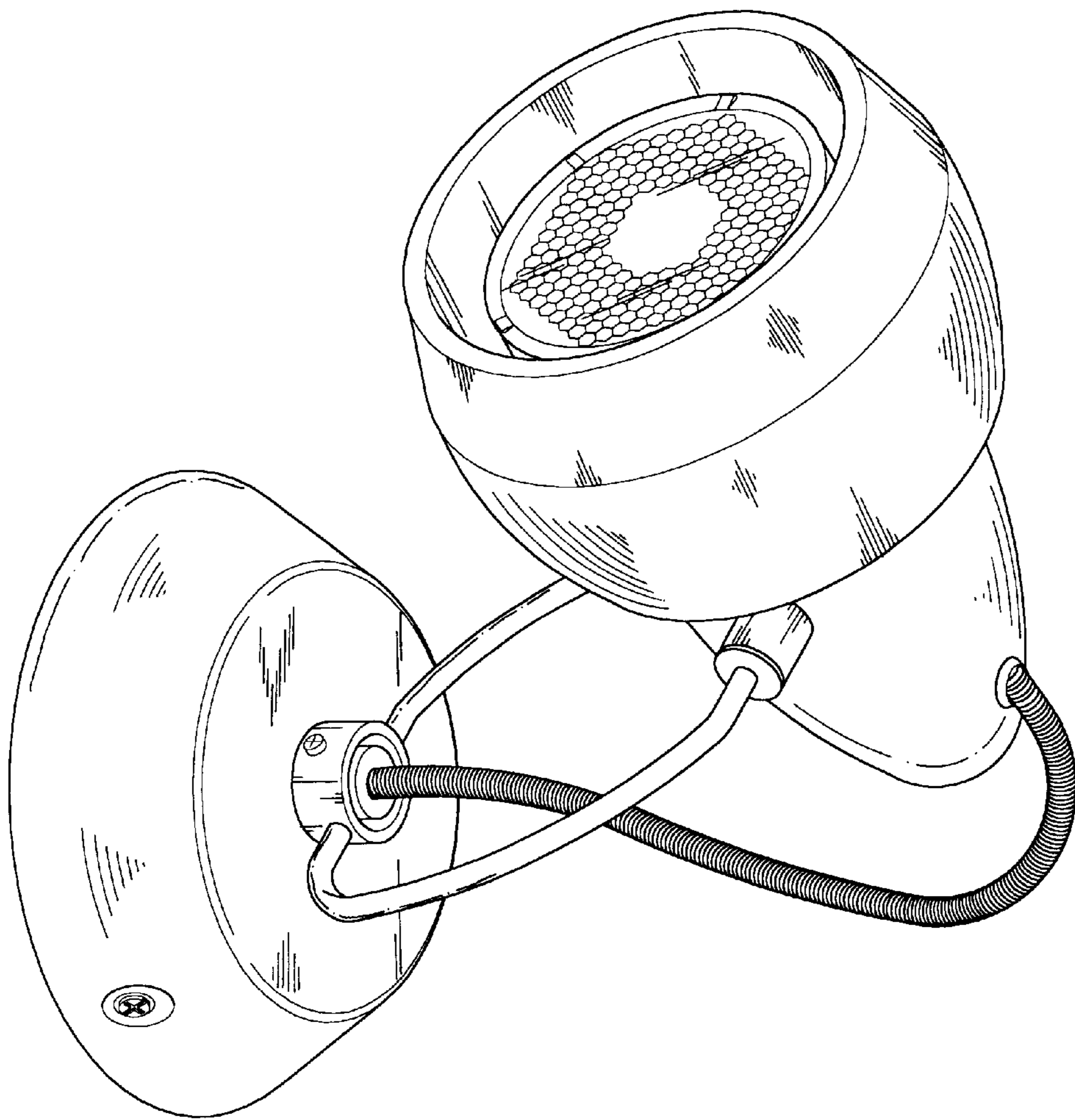


FIG. 1

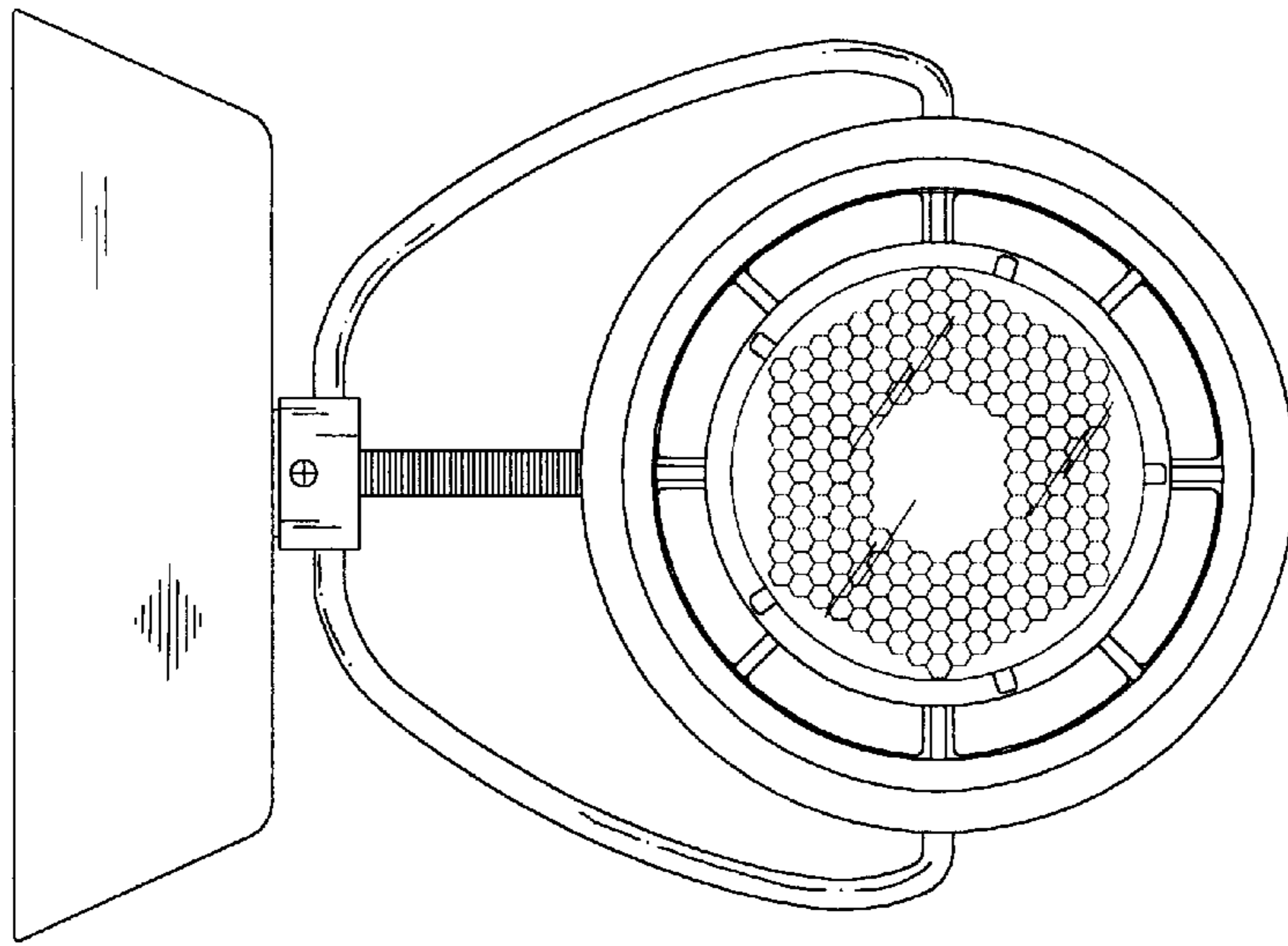


FIG. 2

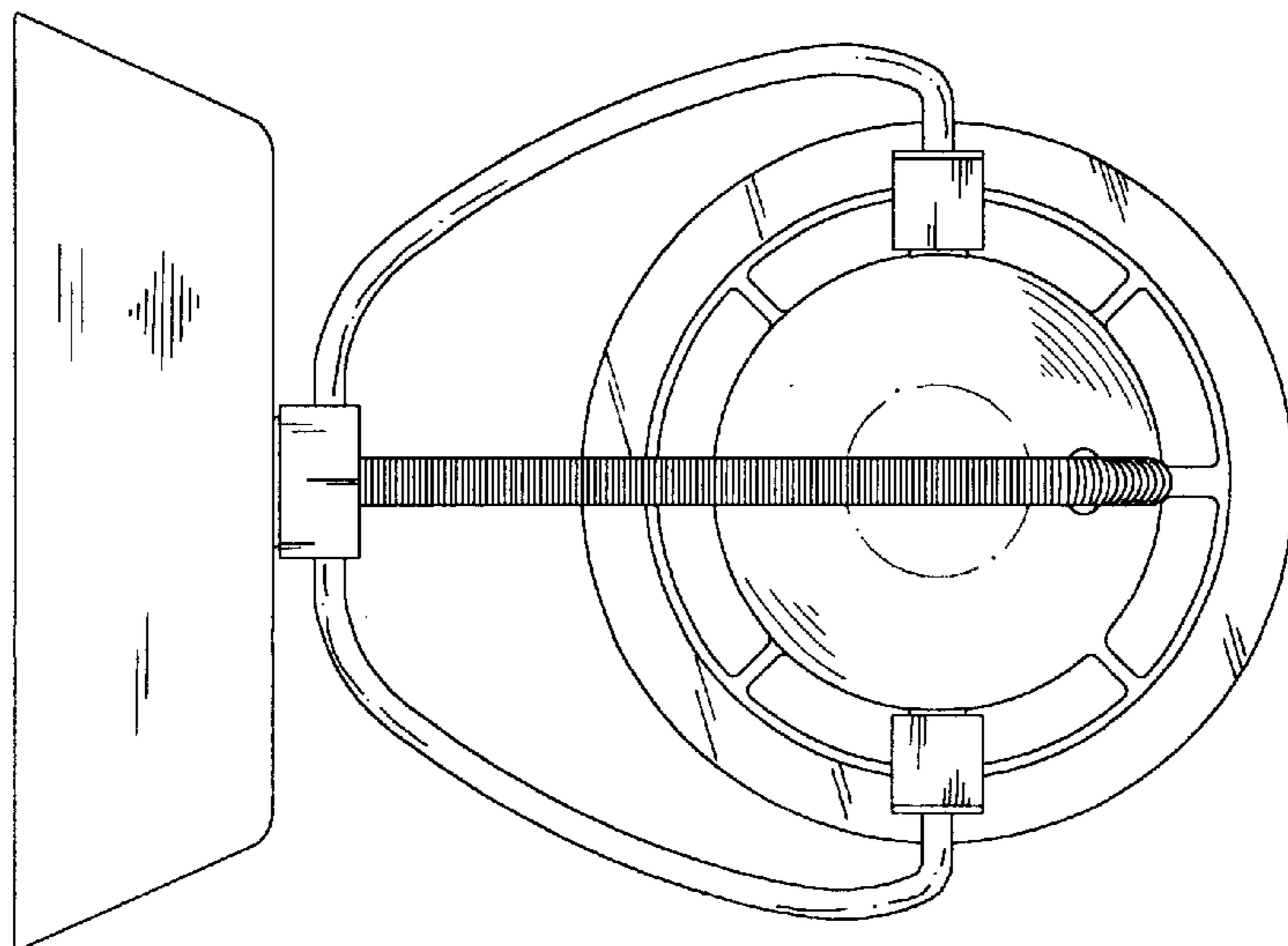


FIG. 3

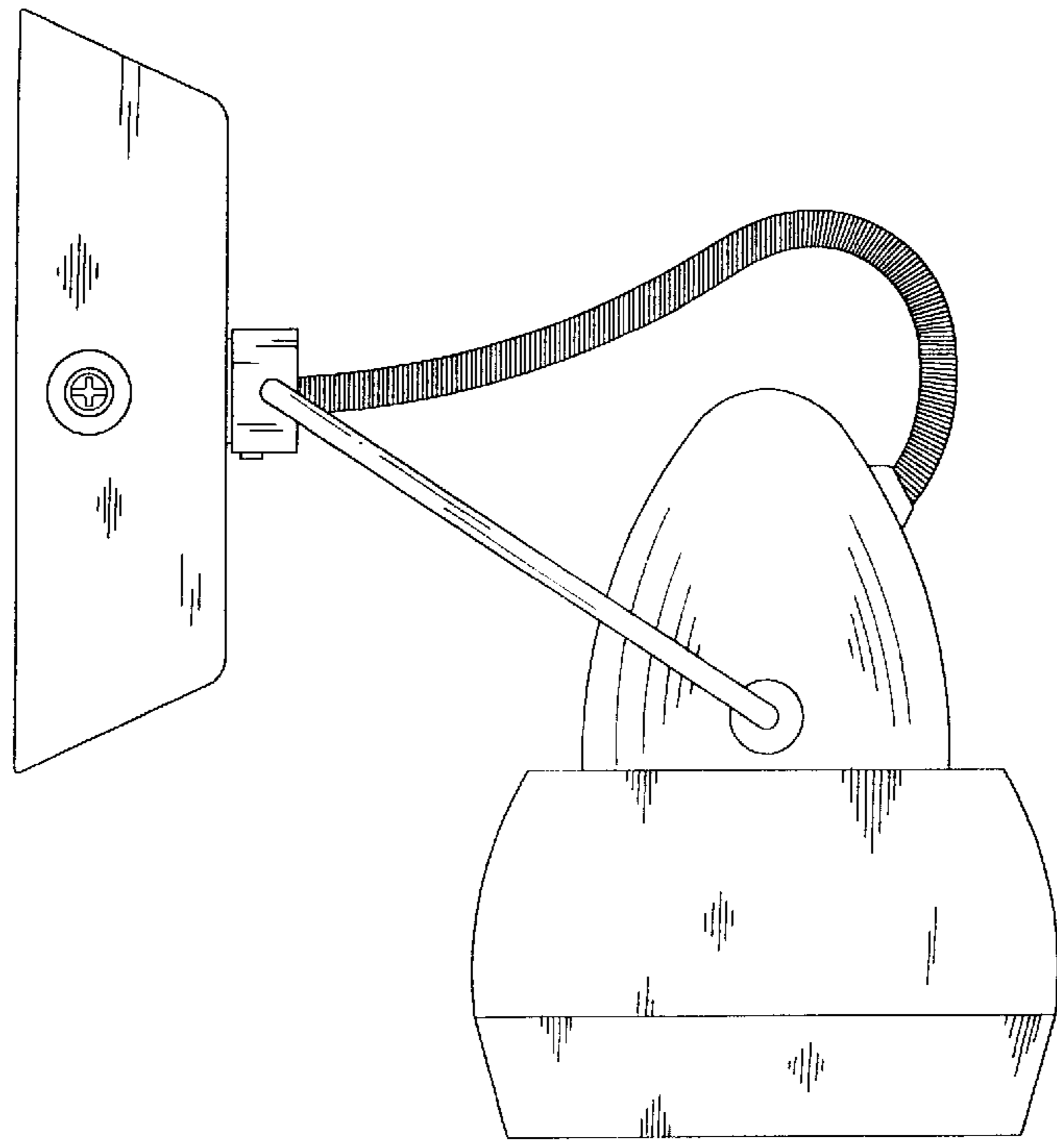


FIG. 4

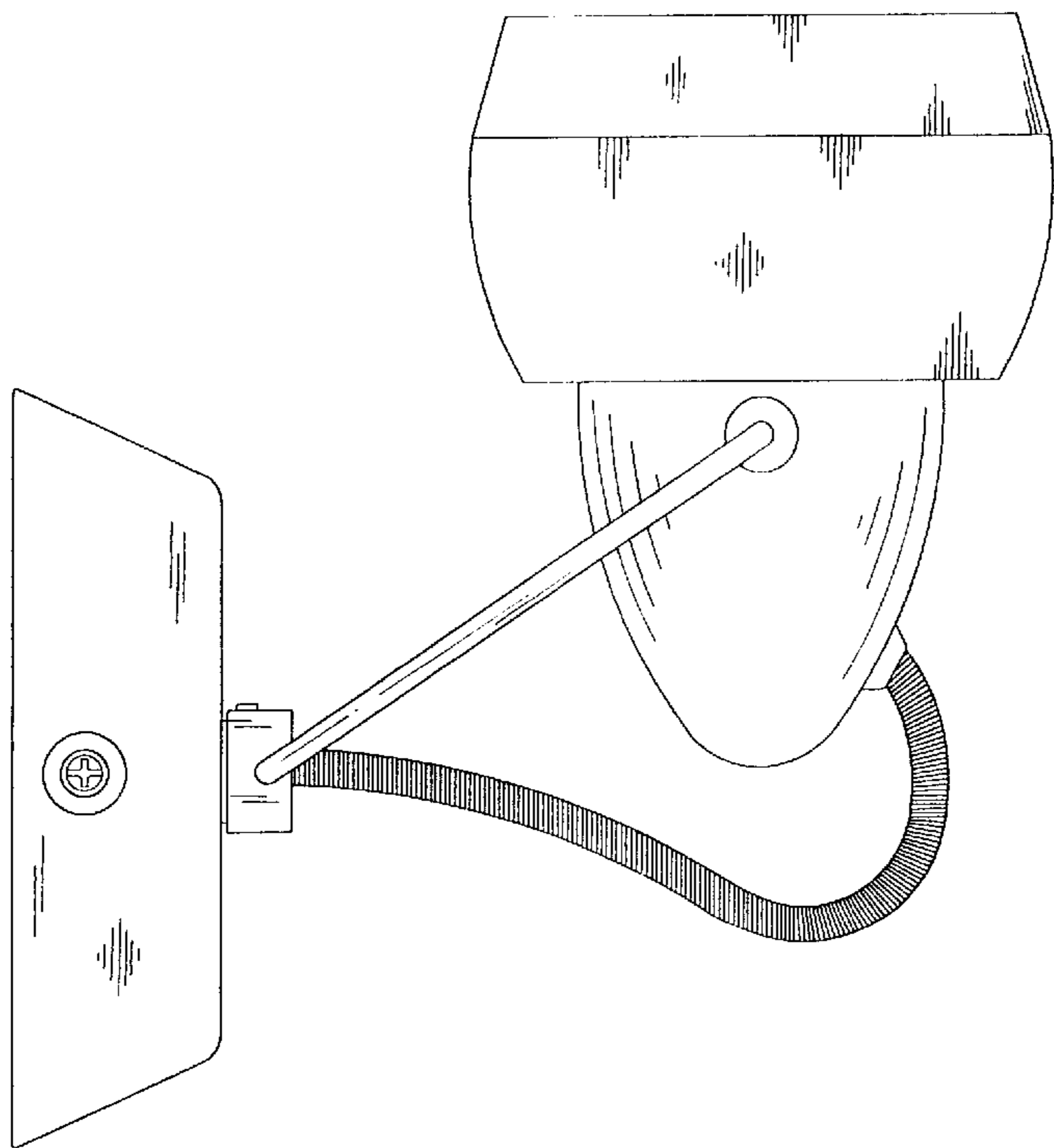


FIG. 5

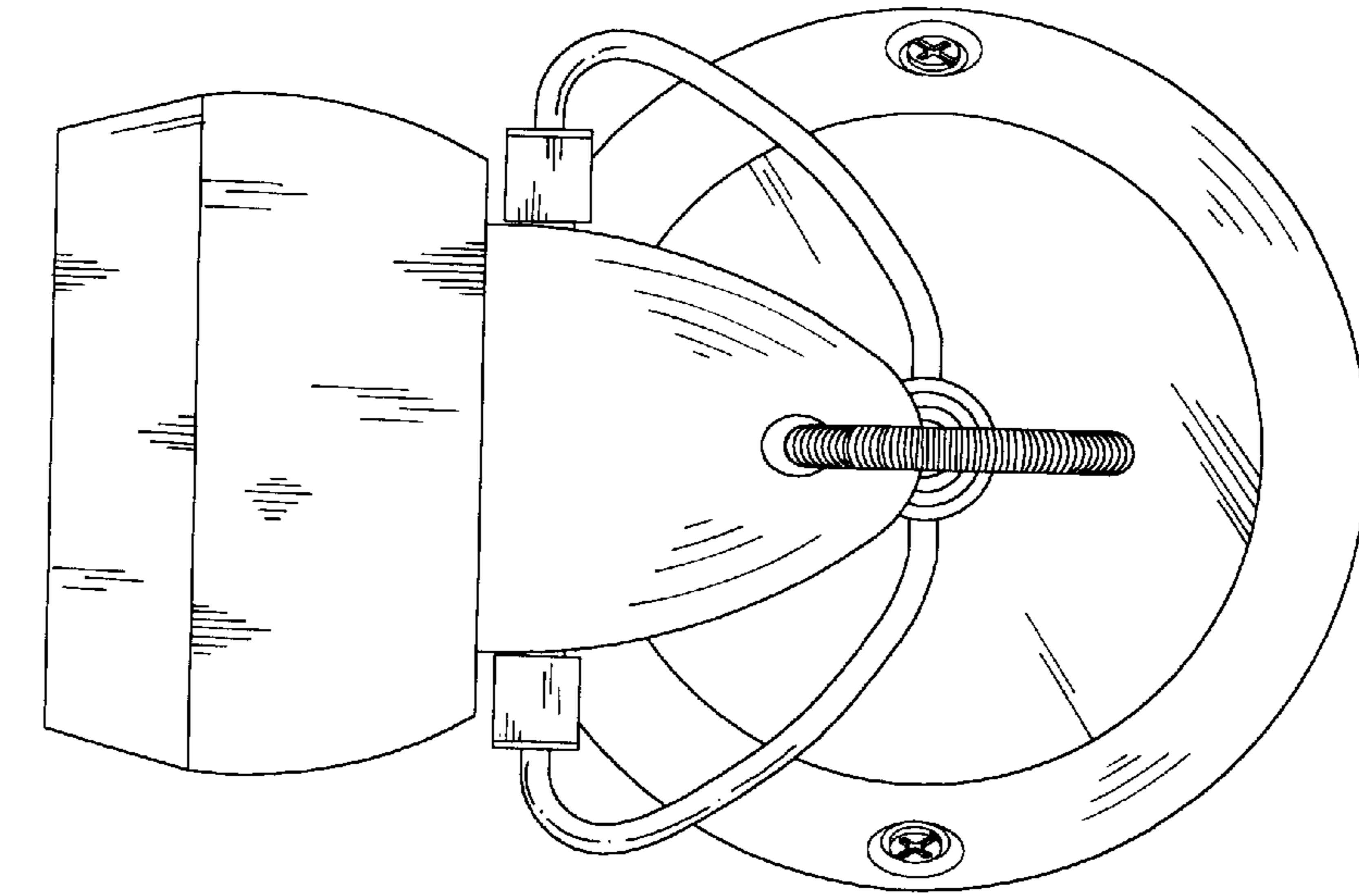


FIG. 7

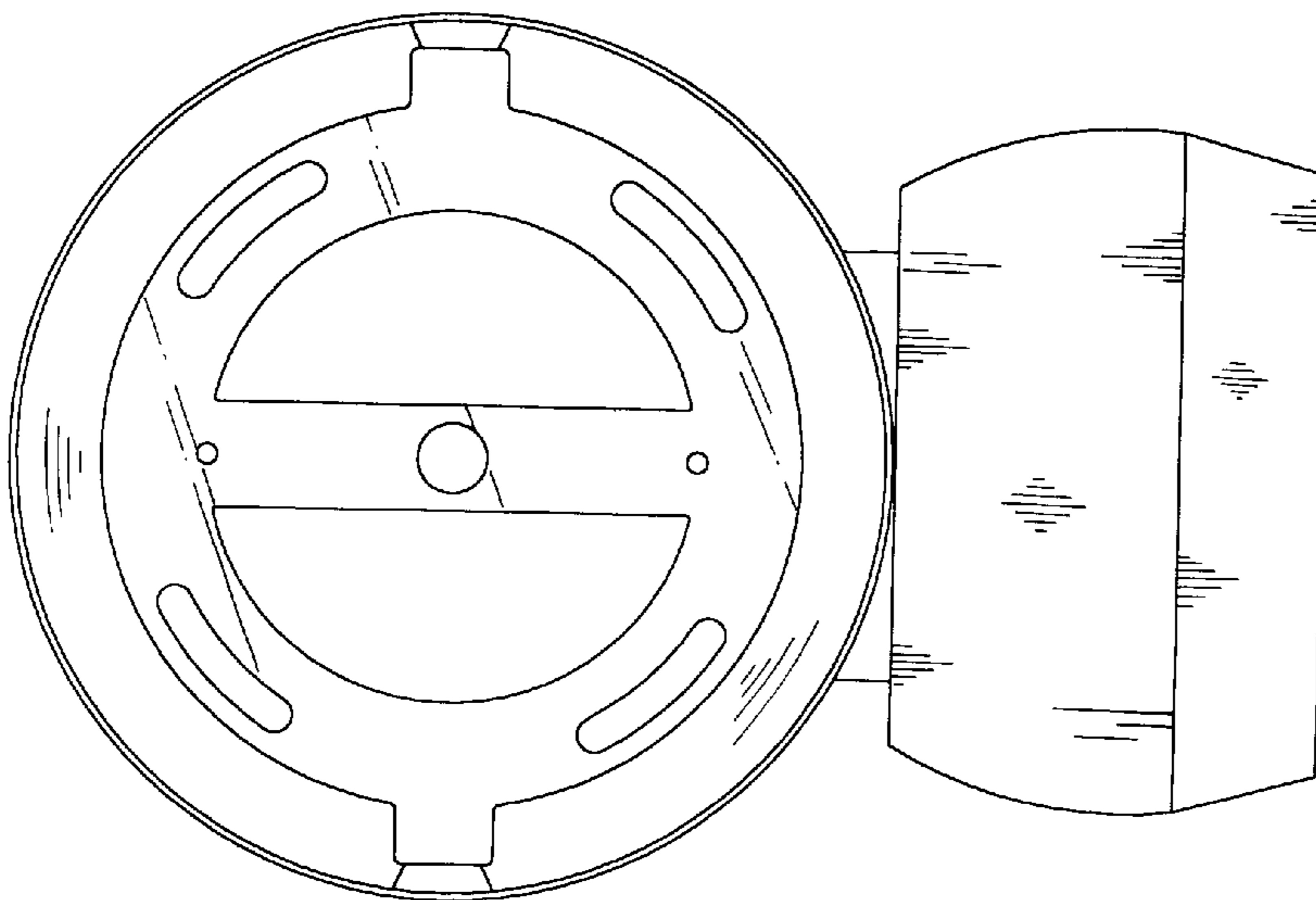


FIG. 6