



US00D438319S

(12) **United States Design Patent**
Swanson

(10) **Patent No.:** **US D438,319 S**

(45) **Date of Patent:** **** *Feb. 27, 2001**

(54) **DESK LAMP HAVING ADJUSTABLE TASK LIGHTS AND GENERAL AREA LIGHTING**

(75) **Inventor:** **Dennis K. Swanson**, Woodland Hills, CA (US)

(73) **Assignee:** **Pacific Coast Lighting**, Chatsworth, CA (US)

(*) **Notice:** This patent is subject to a terminal disclaimer.

(**) **Term:** **14 Years**

(21) **Appl. No.:** **29/102,040**

(22) **Filed:** **Mar. 16, 1999**

(51) **LOC (7) Cl.** **26-05**

(52) **U.S. Cl.** **D26/63**

(58) **Field of Search** D26/93, 102-112, D26/63, 65, 61; 362/410-414, 269, 277, 287, 418, 419, 427

(56) **References Cited**

U.S. PATENT DOCUMENTS

D. 403,456 * 12/1998 Huang D26/63 X

OTHER PUBLICATIONS

Design Selection, May/Jun. 1987, p. 39, Thorn Lighting floor lamp.*

Taiwan Lighting, Nov. 1997, p. 150, floor lamp #LAO132.*

Taiwan Lighting, Nov. 1997, p. 151, floor lamp # JF-889/2H/30.*

* cited by examiner

Primary Examiner—Susan J. Lucas

(74) *Attorney, Agent, or Firm*—Fulbright & Jaworski L.L.P.

(57) **CLAIM**

The ornamental design of a desk lamp having adjustable task lights and general area lighting, substantially as shown and described.

DESCRIPTION

FIG. 1 is a perspective view of a desk lamp having adjustable task lights and general area lighting of my invention;

FIG. 2 is a front elevational view thereof;

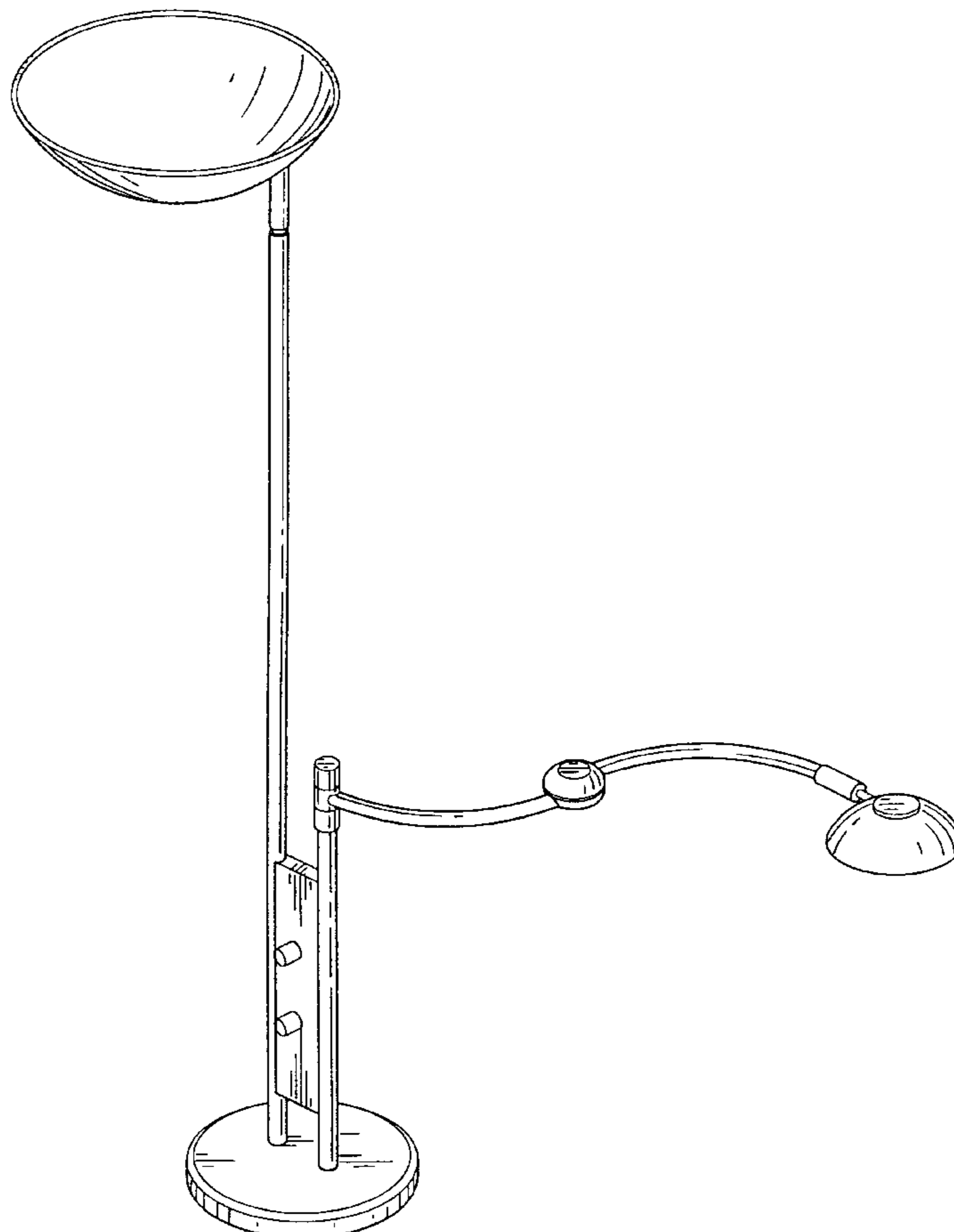
FIG. 3 is a rear elevational view thereof;

FIG. 4 is a top plan view thereof;

FIG. 5 is a right elevational view thereof; and,

FIG. 6 is a left elevational view thereof.

1 Claim, 3 Drawing Sheets



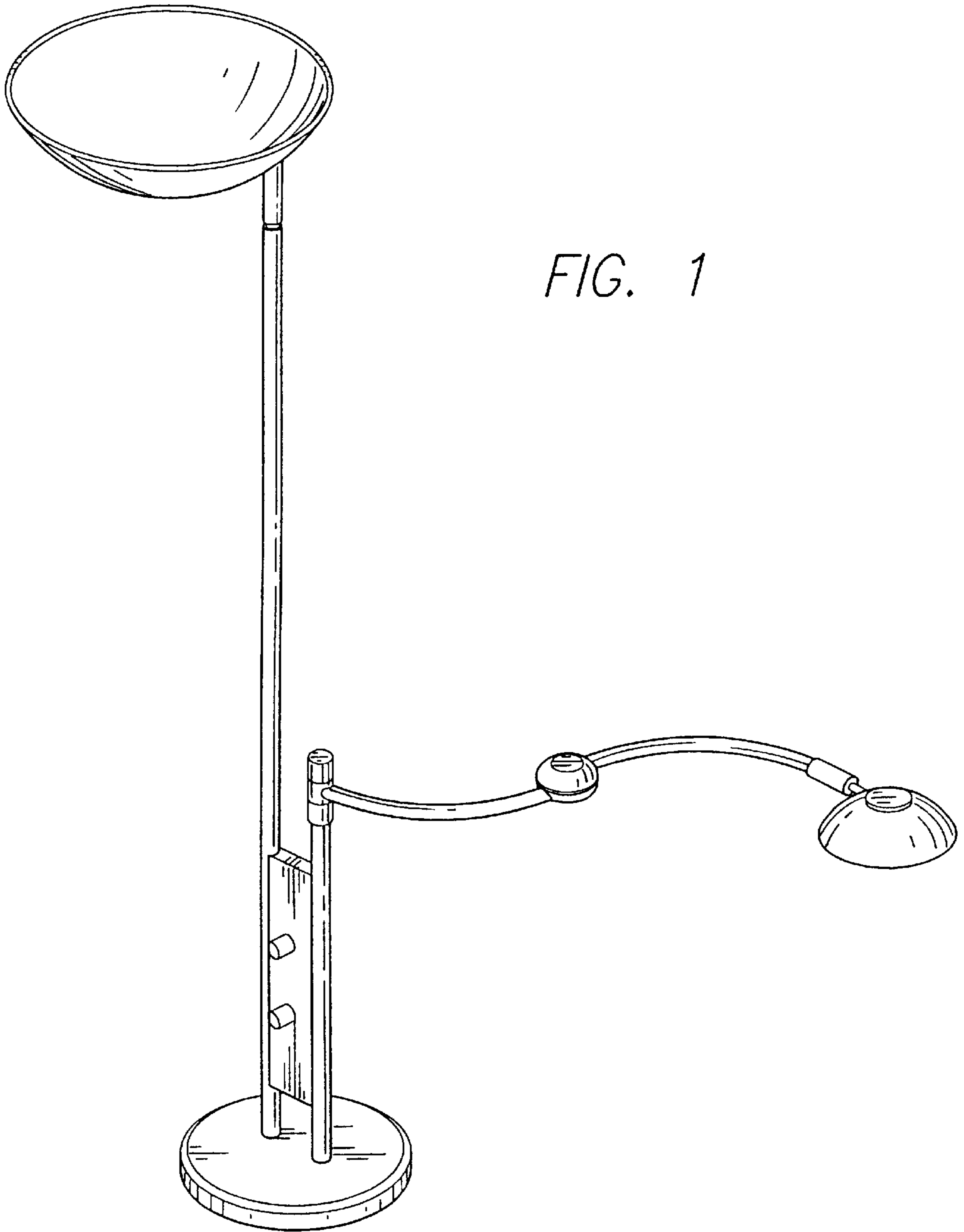


FIG. 1

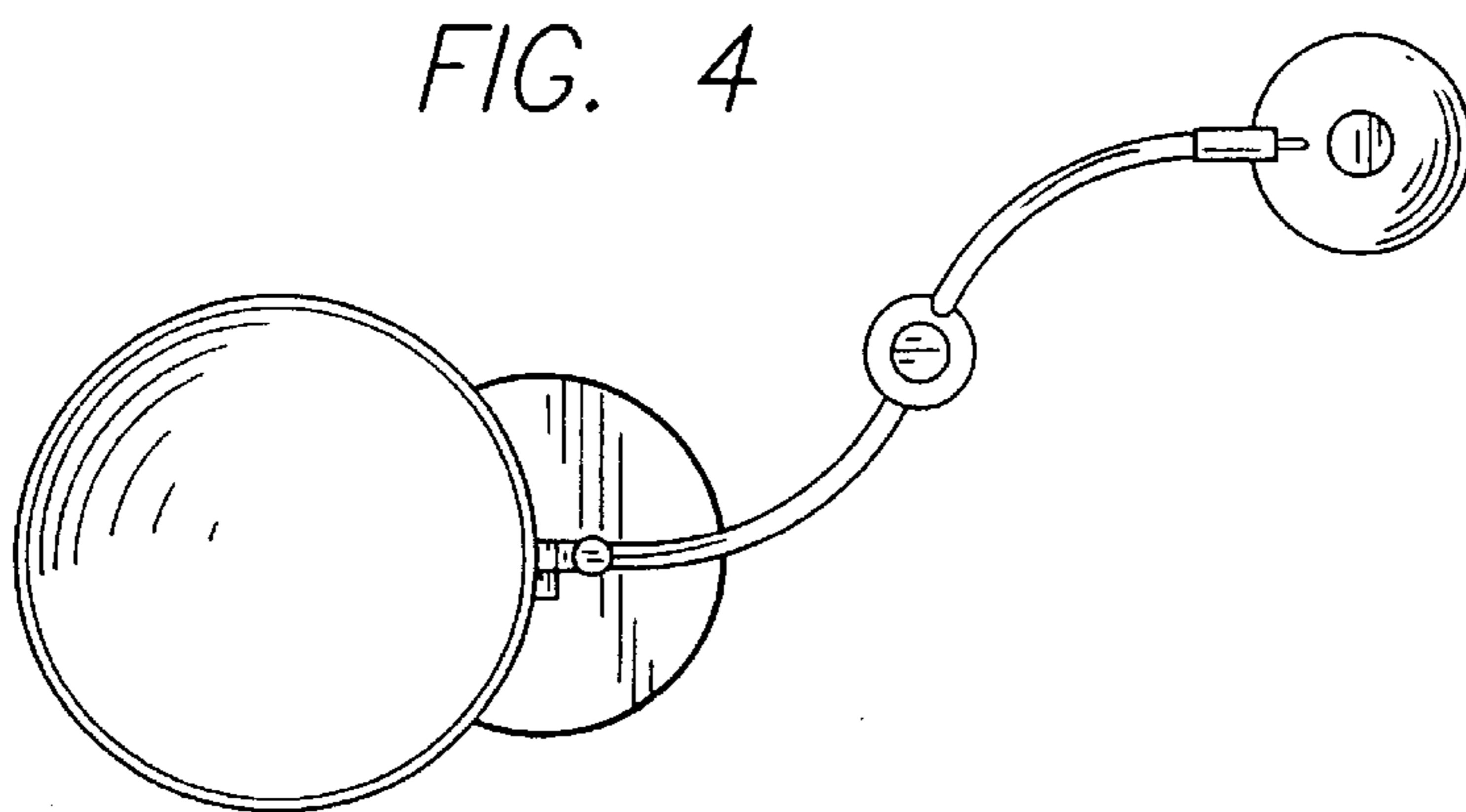
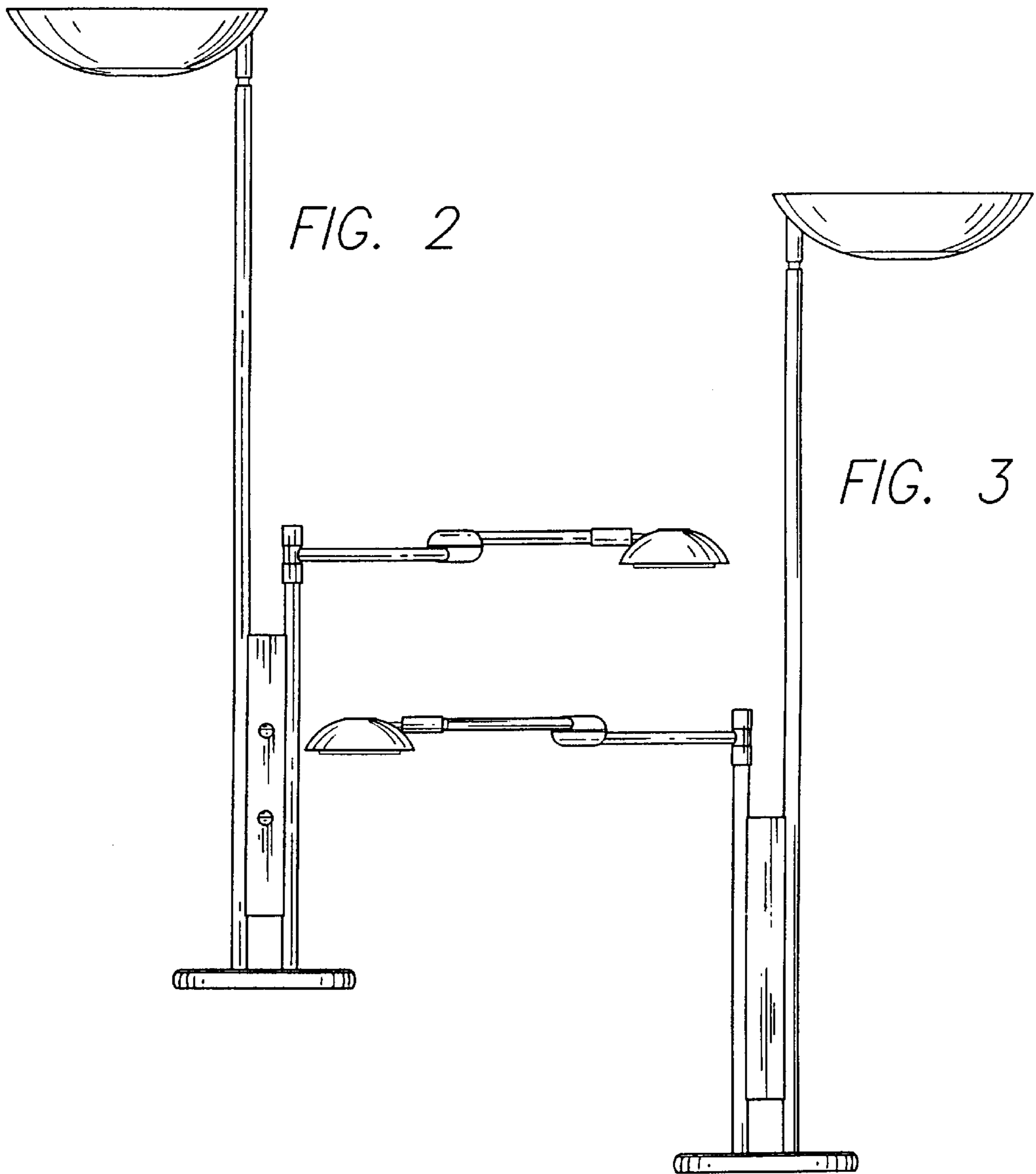


FIG. 5

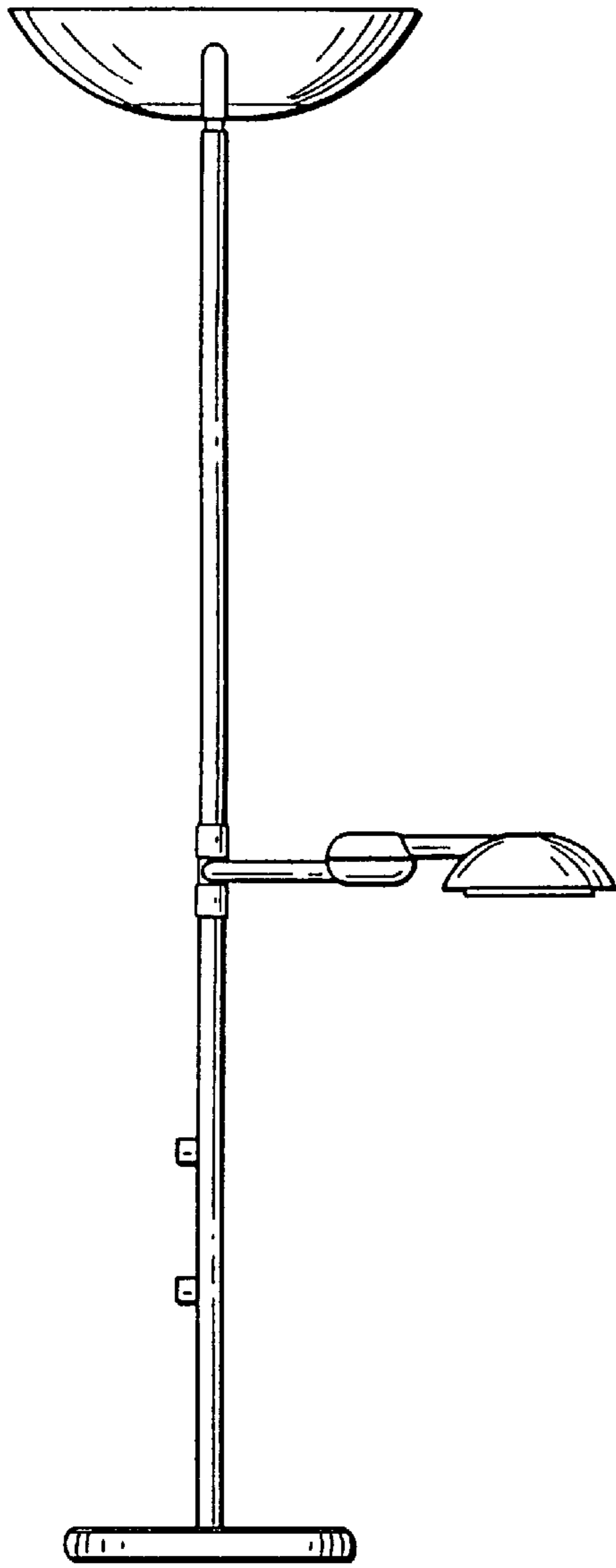


FIG. 6

