



US00D438318S

(12) **United States Design Patent**
Lo

(10) **Patent No.:** **US D438,318 S**

(45) **Date of Patent:** **** Feb. 27, 2001**

(54) **CLIP-ON TASK LIGHT**

(75) **Inventor:** **David Lo, Taipei (TW)**

(73) **Assignee:** **The Holmes Group, Inc., Milford, MA (US)**

(**) **Term:** **14 Years**

(21) **Appl. No.:** **29/116,369**

(22) **Filed:** **Dec. 30, 1999**

(51) **LOC (7) Cl. 26-05**

(52) **U.S. Cl. D26/60; D26/62**

(58) **Field of Search D26/60-65, 118; 362/410-414, 269, 271, 272, 275, 281, 282, 285, 287, 418, 419, 427, 341, 347, 350, 361, 346**

(56) **References Cited**

U.S. PATENT DOCUMENTS

- D. 279,130 6/1985 Berger .
- D. 312,885 12/1990 Louis .
- D. 383,559 * 9/1997 Chan D26/60
- D. 388,210 12/1997 Yang .
- D. 391,665 3/1998 Yang .
- D. 399,334 10/1998 Lo .
- D. 402,773 * 12/1998 Lo D26/118 X
- D. 410,298 5/1999 Sherman .

- 3,900,727 * 8/1975 Hutz 362/346 X
- 5,586,820 * 12/1996 Klink 362/275 X
- 5,765,793 * 6/1998 Ya 362/410 X

OTHER PUBLICATIONS

Brilliant lighting catalog, 1984/85, p. 16, clip-on lamp # 329 01/16.*

* cited by examiner

Primary Examiner—Susan J. Lucas

(74) *Attorney, Agent, or Firm*—Hoffman & Baron, LLP; Francis E. Marino

(57) **CLAIM**

The ornamental design for a clip-on task light, as shown and described.

DESCRIPTION

FIG. 1 is a top perspective view of a clip-on task light showing my new design;
 FIG. 2 is a left side elevation view thereof, the right side being a mirror image thereof;
 FIG. 3 is a back elevation view thereof; and,
 FIG. 4 is a front elevation view thereof.
 The subject matter shown in broken lines forms no part of the claimed design. The bottom view forms no part of the claimed design.

1 Claim, 4 Drawing Sheets

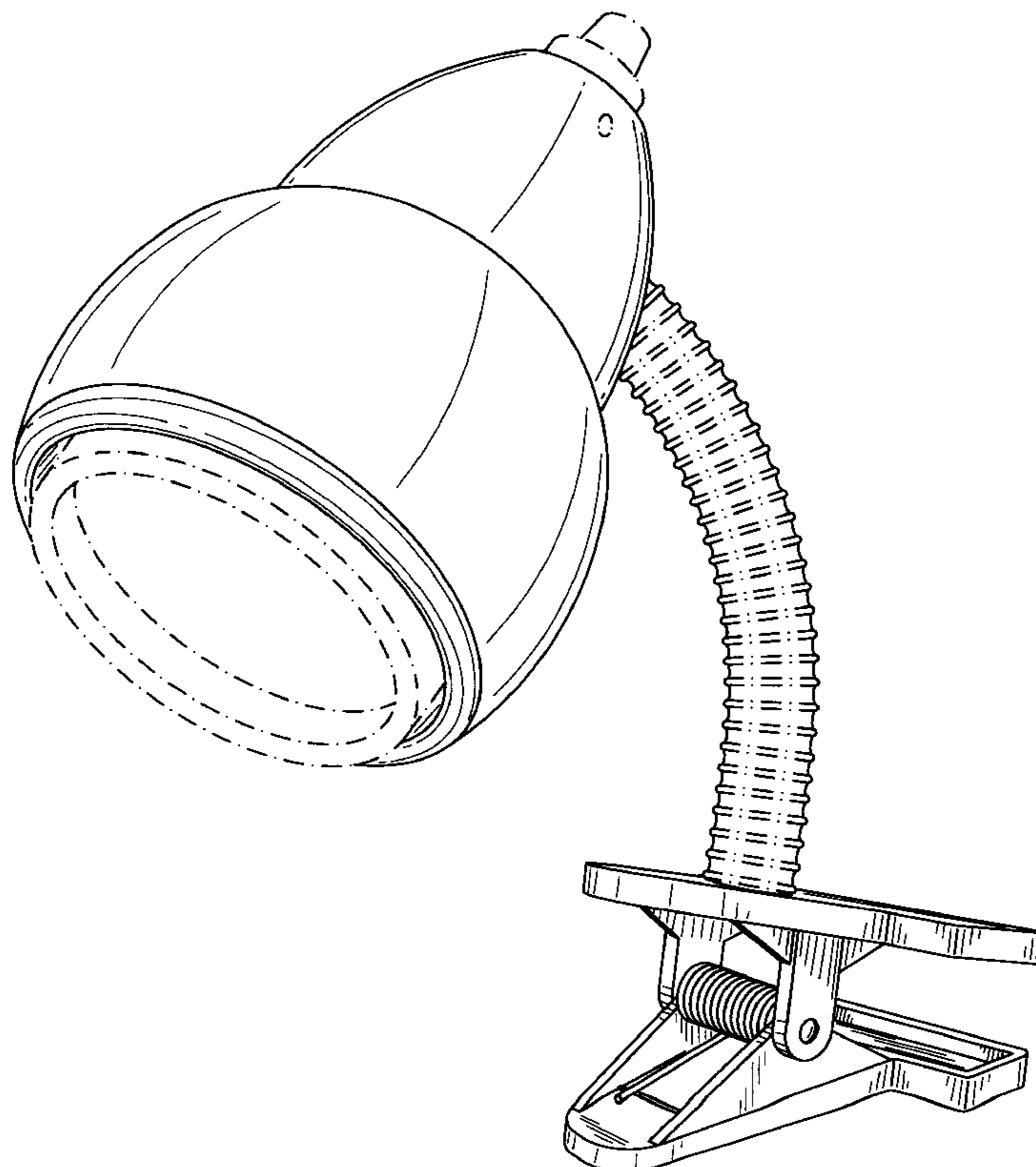


FIG. 1

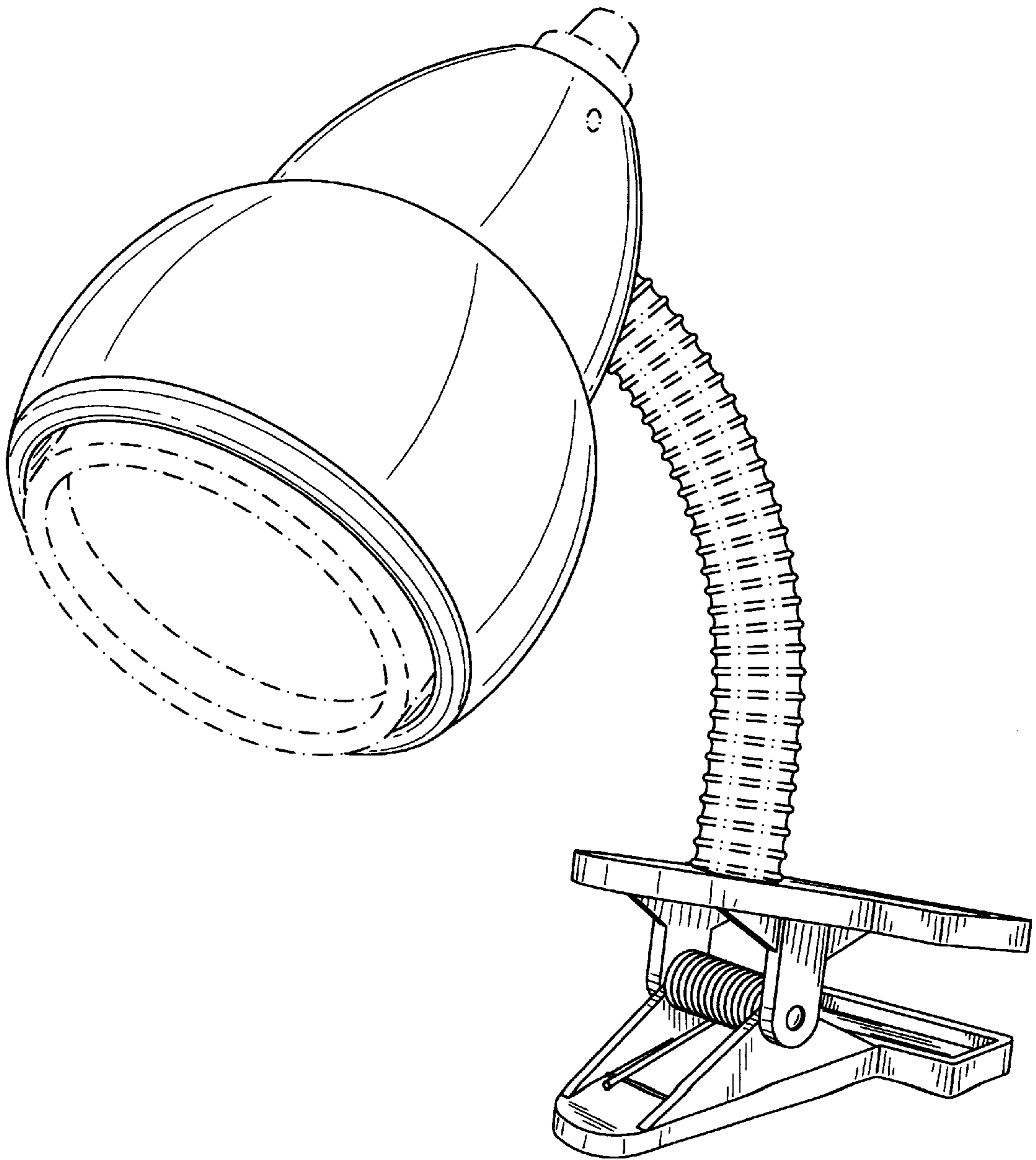


FIG. 2

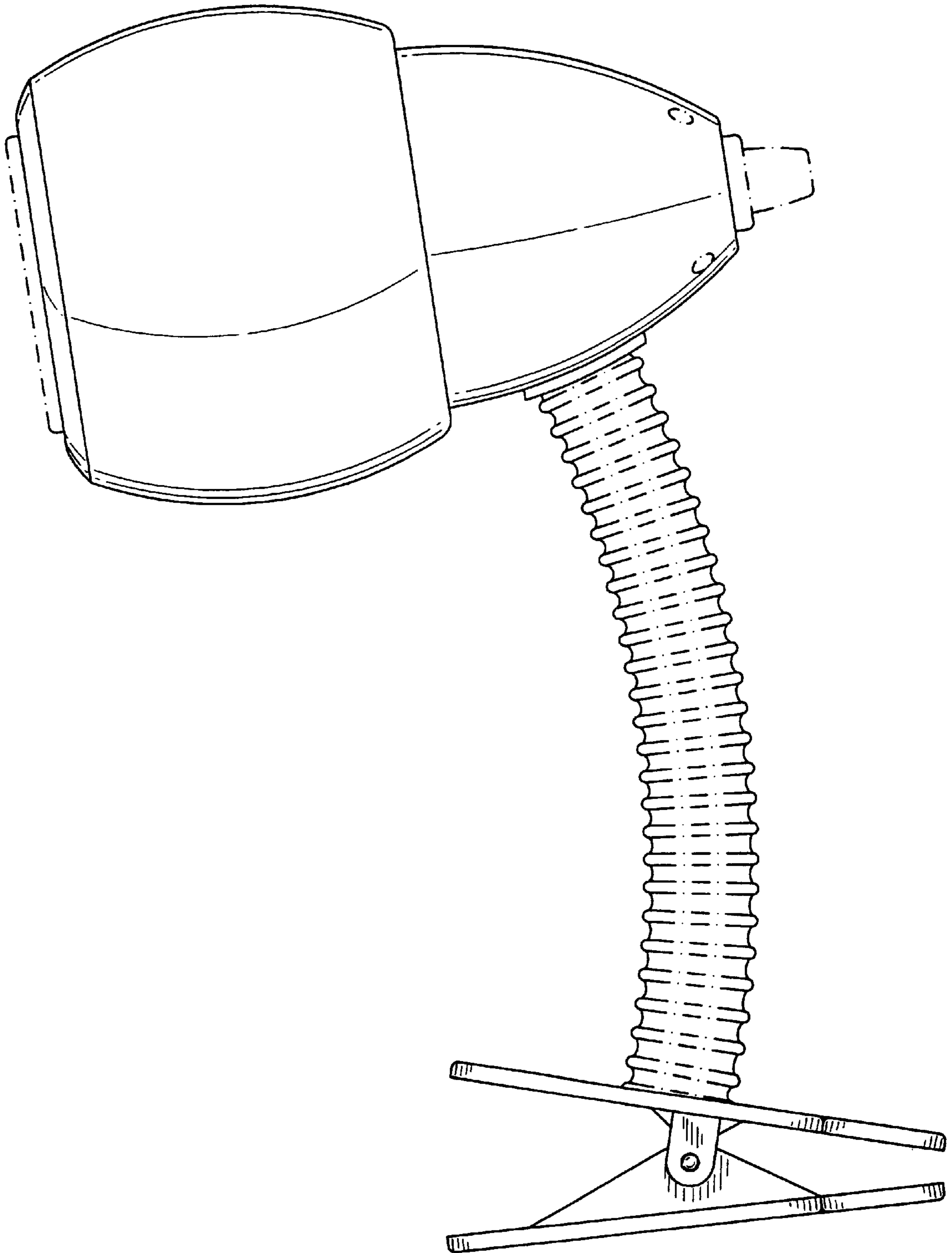


FIG. 3

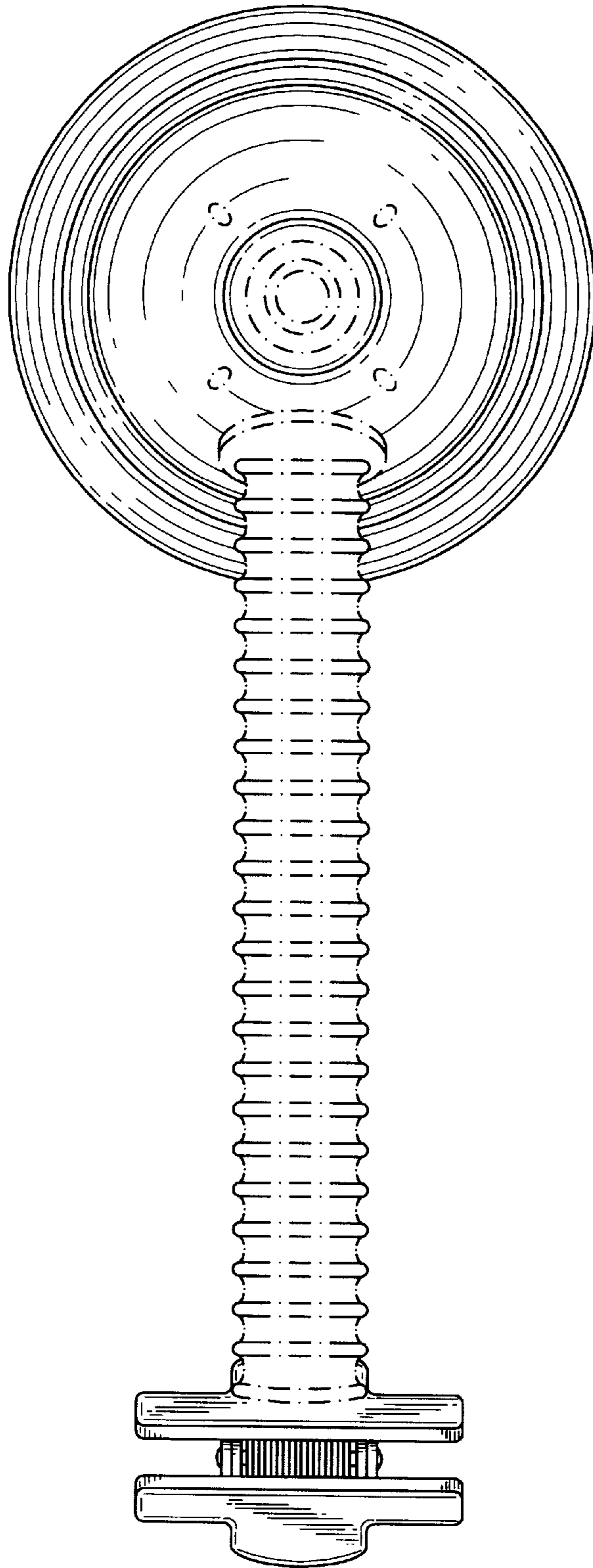


FIG. 4

