



US00D438317S

(12) **United States Design Patent**  
**Yuen**

(10) **Patent No.:** **US D438,317 S**

(45) **Date of Patent:** **\*\* Feb. 27, 2001**

(54) **RECHARGEABLE SWIVEL LANTERN**

(75) Inventor: **Se Kit Yuen**, Kowloon (CN)

(73) Assignee: **John Manufacturing Ltd.**, Hong Kong (CN)

(\*\*) Term: **14 Years**

(21) Appl. No.: **29/125,176**

(22) Filed: **Jun. 20, 2000**

(30) **Foreign Application Priority Data**

Apr. 20, 2000 (HK) ..... 0010494

(51) **LOC (7) Cl.** ..... **26-02**

(52) **U.S. Cl.** ..... **D26/48**

(58) **Field of Search** ..... D26/37-50; 362/157,  
362/158, 183-208

(56) **References Cited**

**U.S. PATENT DOCUMENTS**

- D. 372,549 \* 8/1996 Lo ..... D26/48
- D. 403,454 \* 12/1998 Zelina, Jr. et al. .... D26/48
- D. 415,850 \* 10/1999 Dalton et al. .... D26/48
- D. 422,732 \* 4/2000 Kung ..... D26/48

\* cited by examiner

*Primary Examiner*—Marcus A. Jackson

(74) *Attorney, Agent, or Firm*—Alix, Yale & Ristas, LLP

(57) **CLAIM**

The ornamental design for a rechargeable swivel lantern, as shown and described.

**DESCRIPTION**

FIG. 1 is a front view of the rechargeable swivel lantern showing my new design;

FIG. 2 is a rear view of the rechargeable swivel lantern of FIG. 1;

FIG. 3 is a left side view of the rechargeable swivel lantern of FIG. 1;

FIG. 4 is a right side view of the rechargeable swivel lantern of FIG. 1;

FIG. 5 is a top plan view of the rechargeable swivel lantern of FIG. 1;

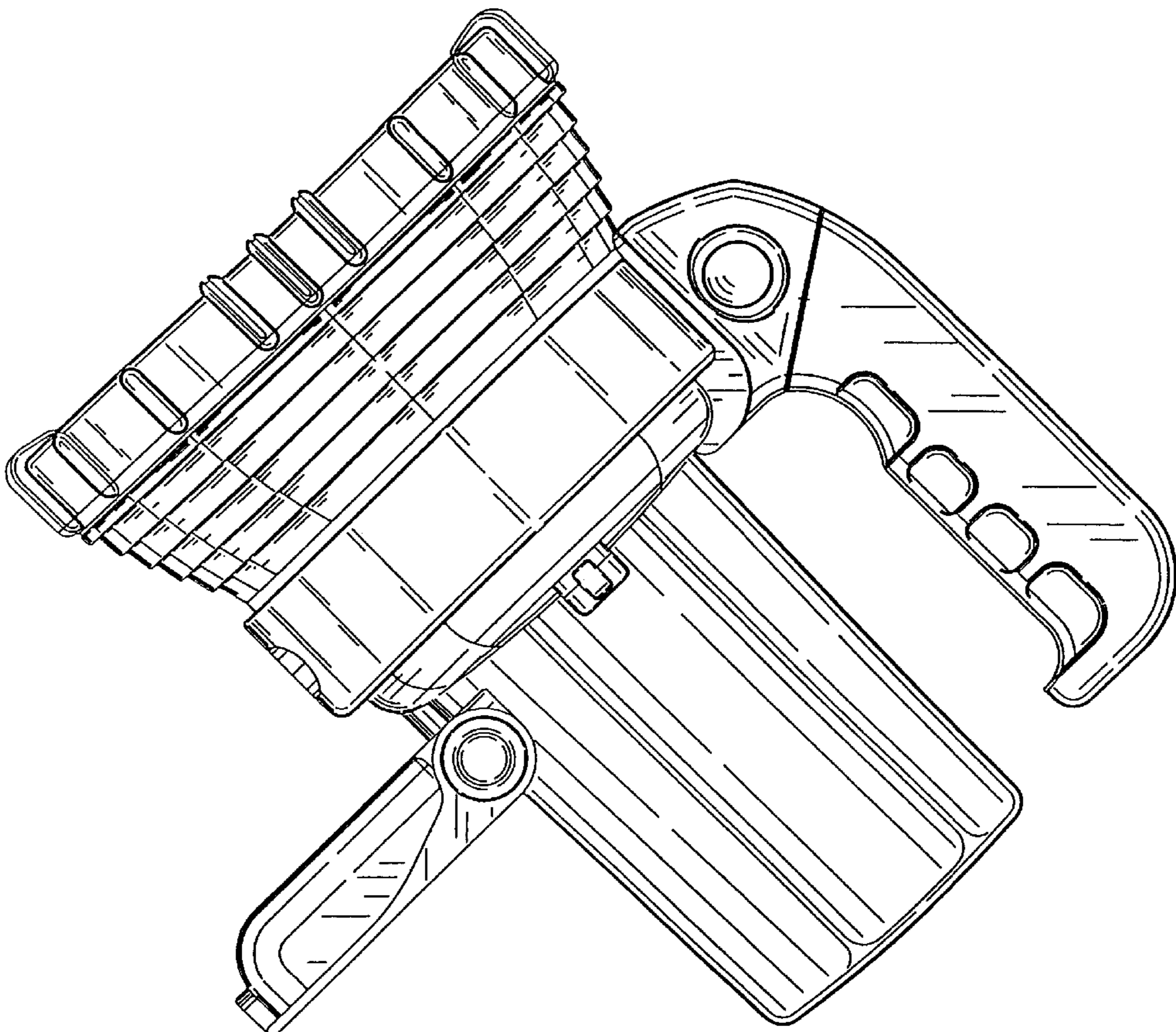
FIG. 6 is a bottom plan view of the rechargeable swivel lantern of FIG. 1;

FIG. 7 is a front view of the rechargeable swivel lantern of FIG. 1 with the handle in an alternative position;

FIG. 8 is a right side view of the rechargeable swivel lantern of FIG. 1 with the handle in an alternative position; and,

FIG. 9 is a right side view of the rechargeable swivel lantern of FIG. 1 with the stand in an alternative position.

**1 Claim, 9 Drawing Sheets**



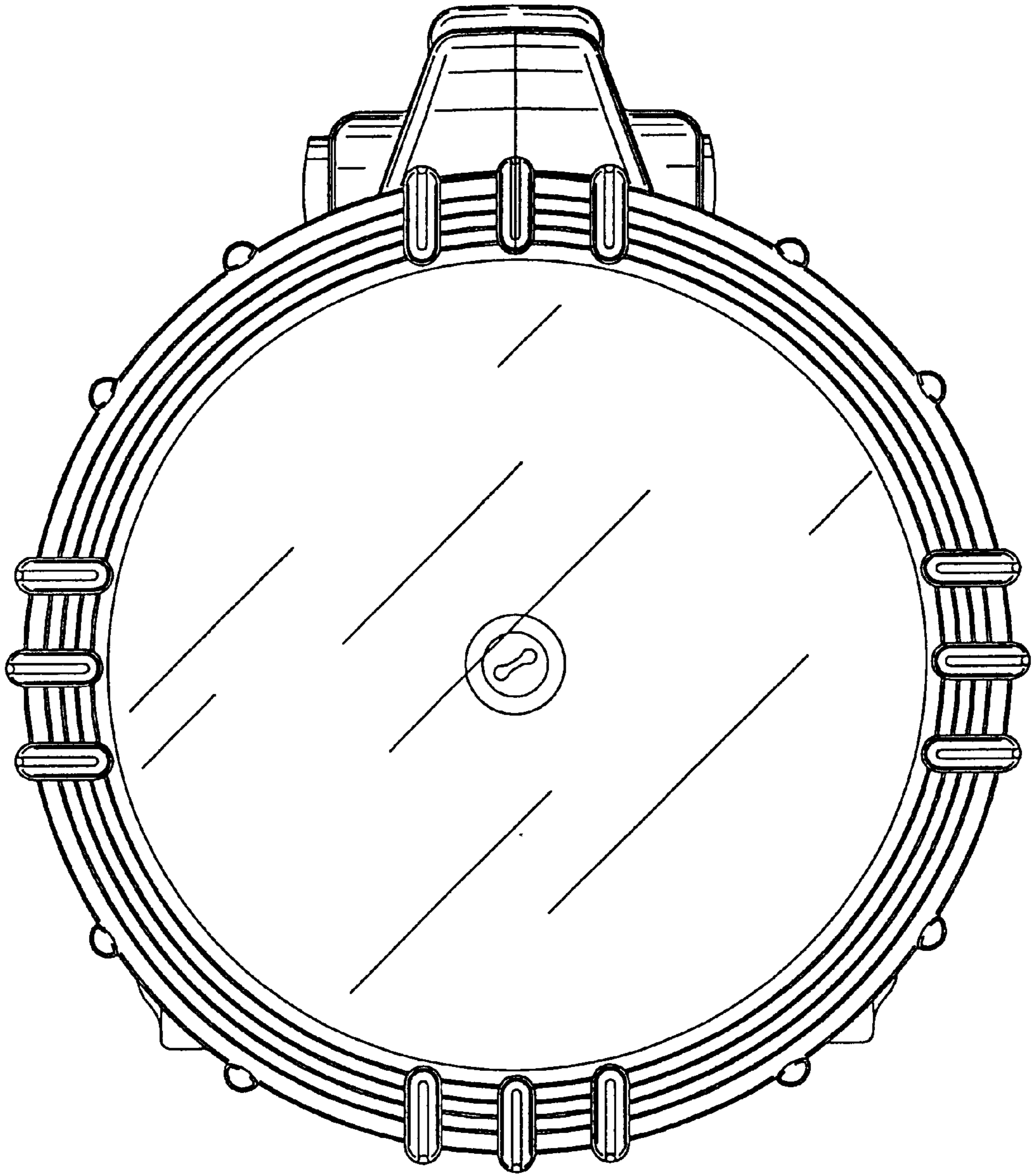


FIG. 1

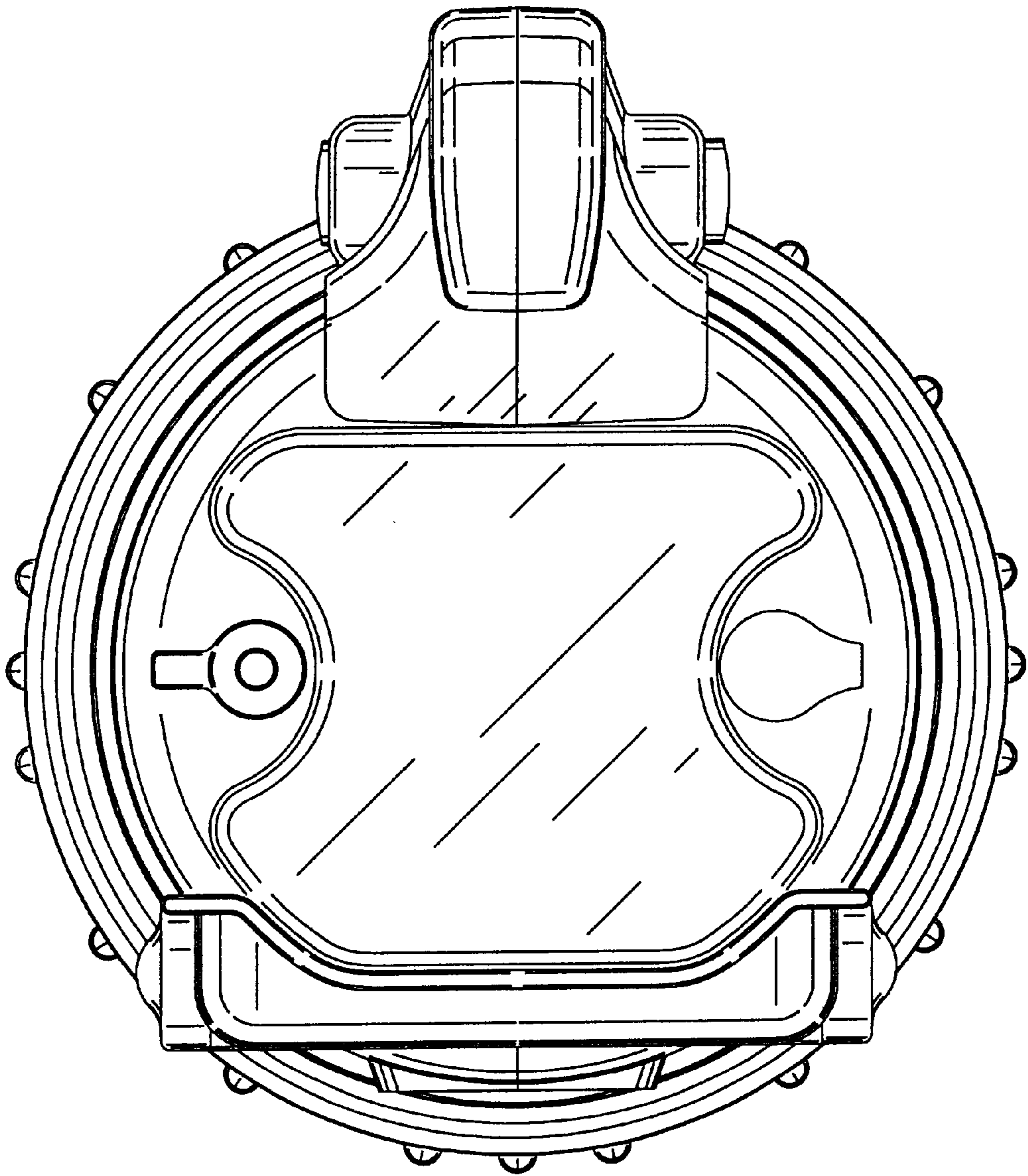


FIG. 2

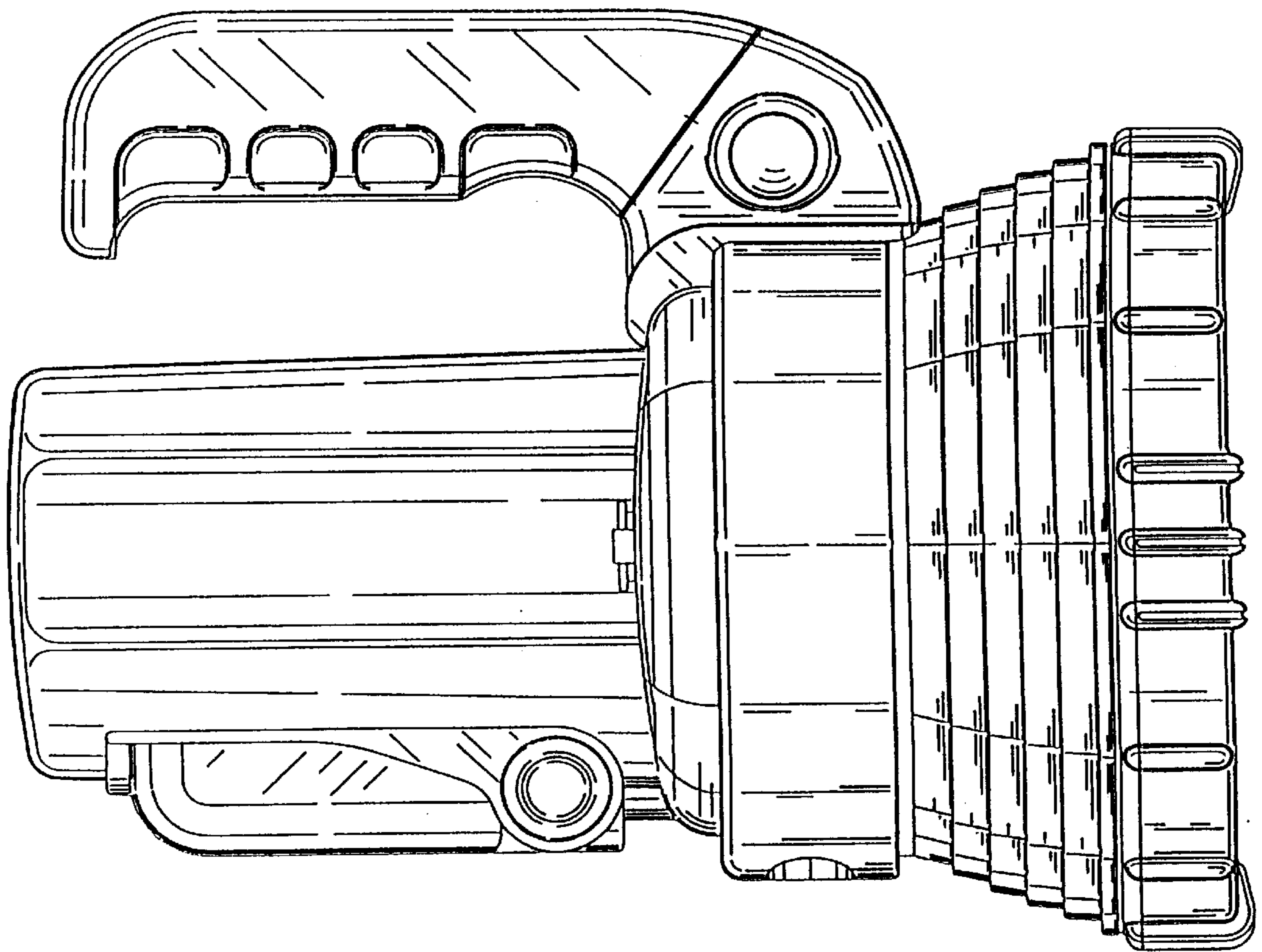


FIG. 3

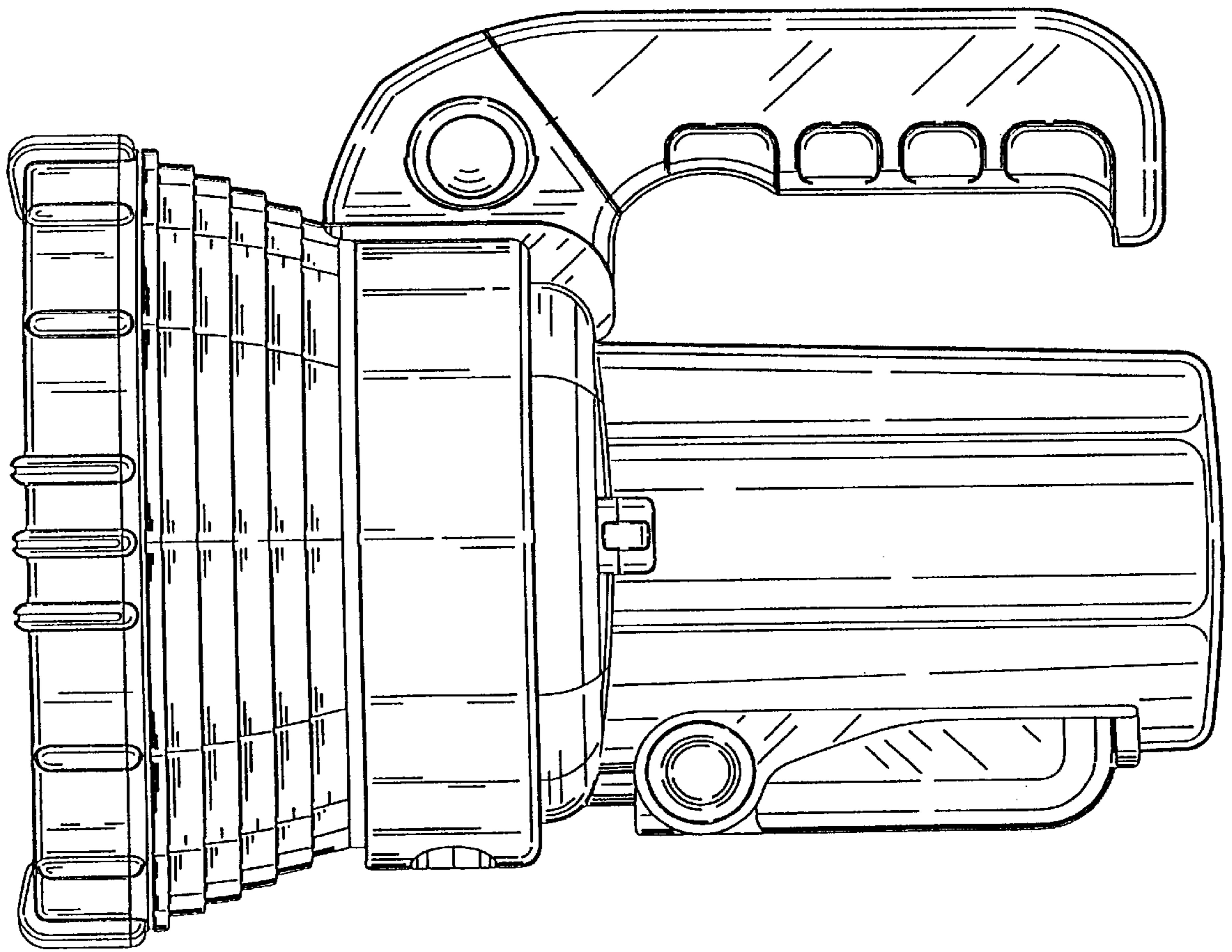


FIG. 4

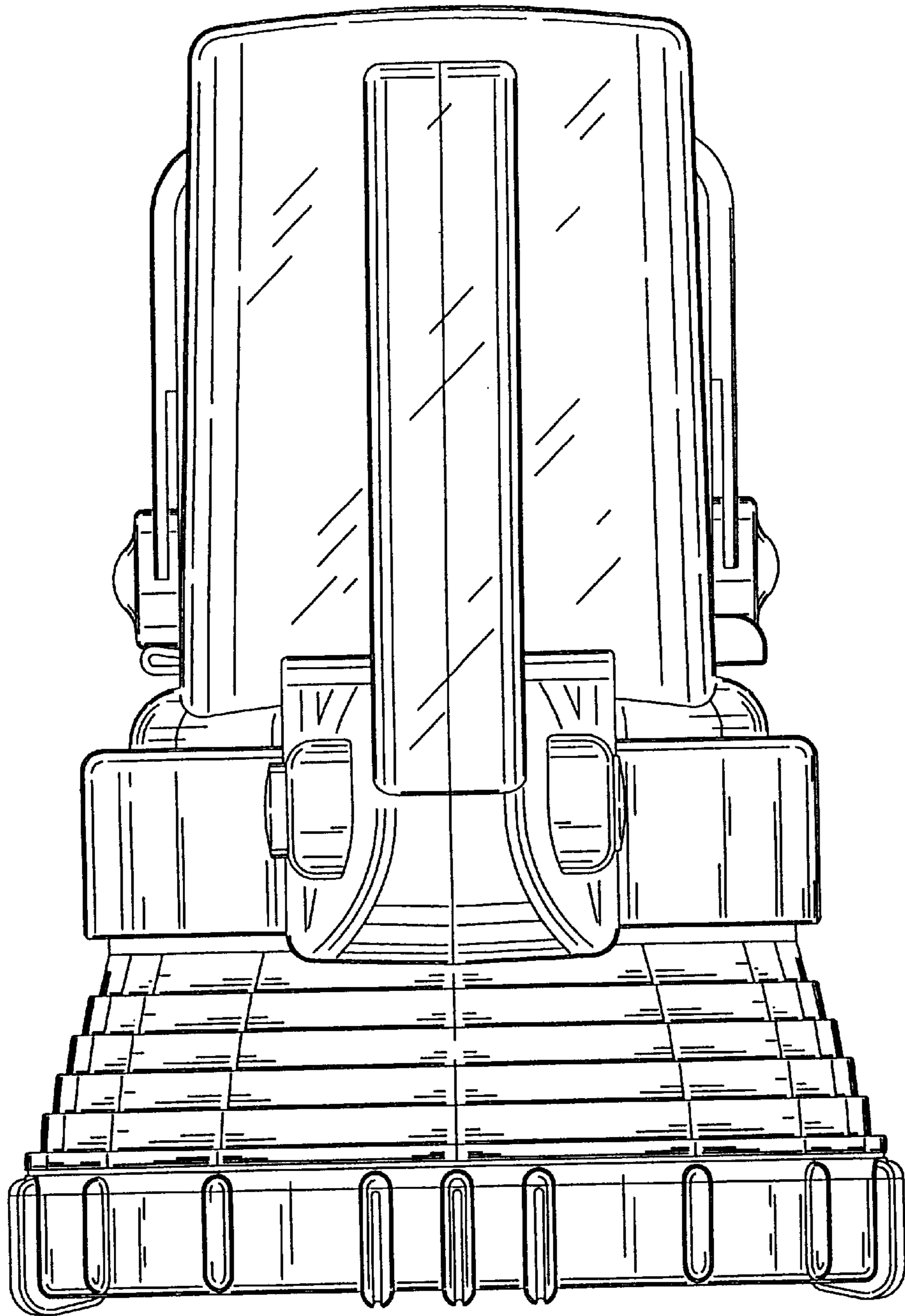


FIG. 5

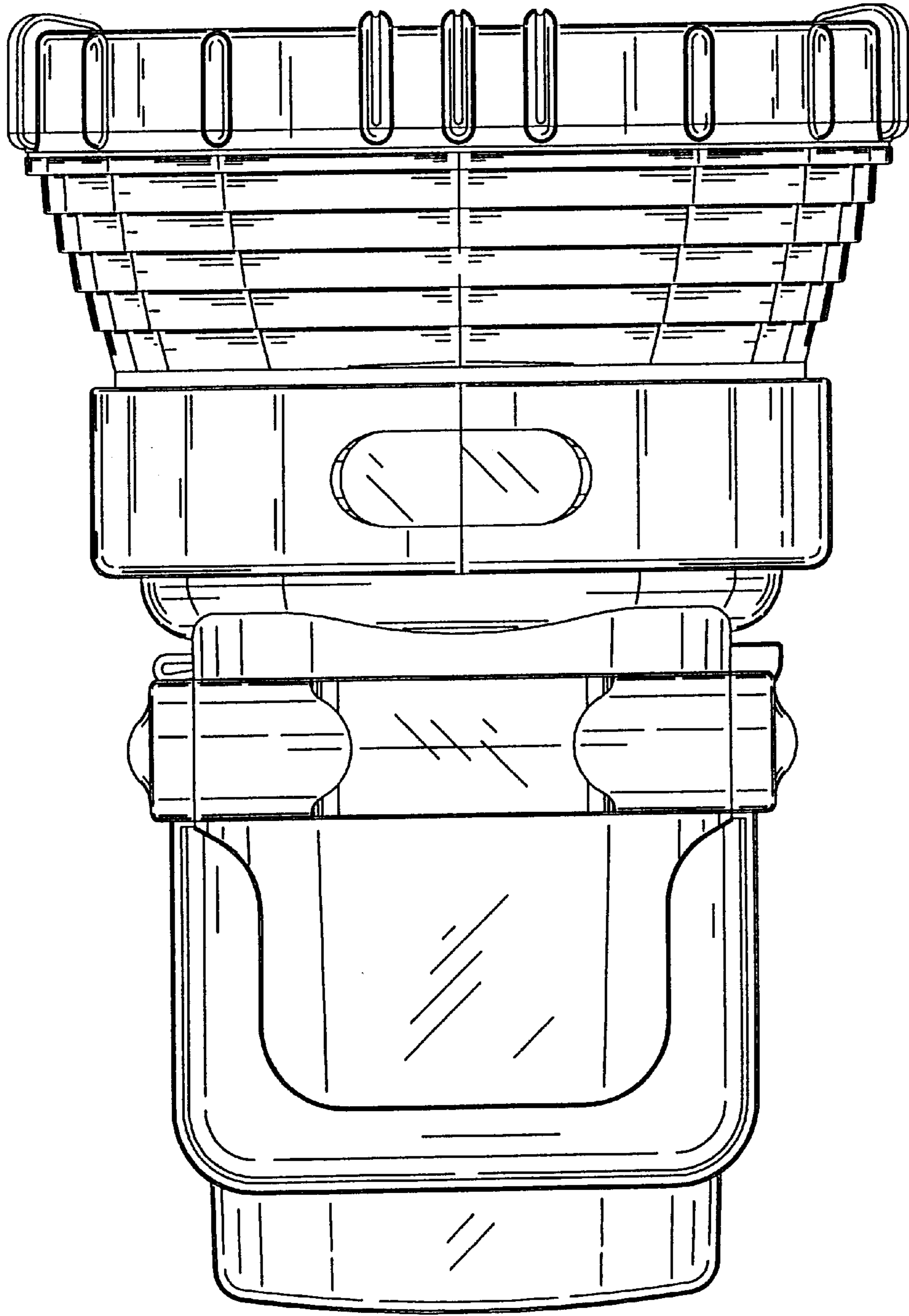


FIG. 6

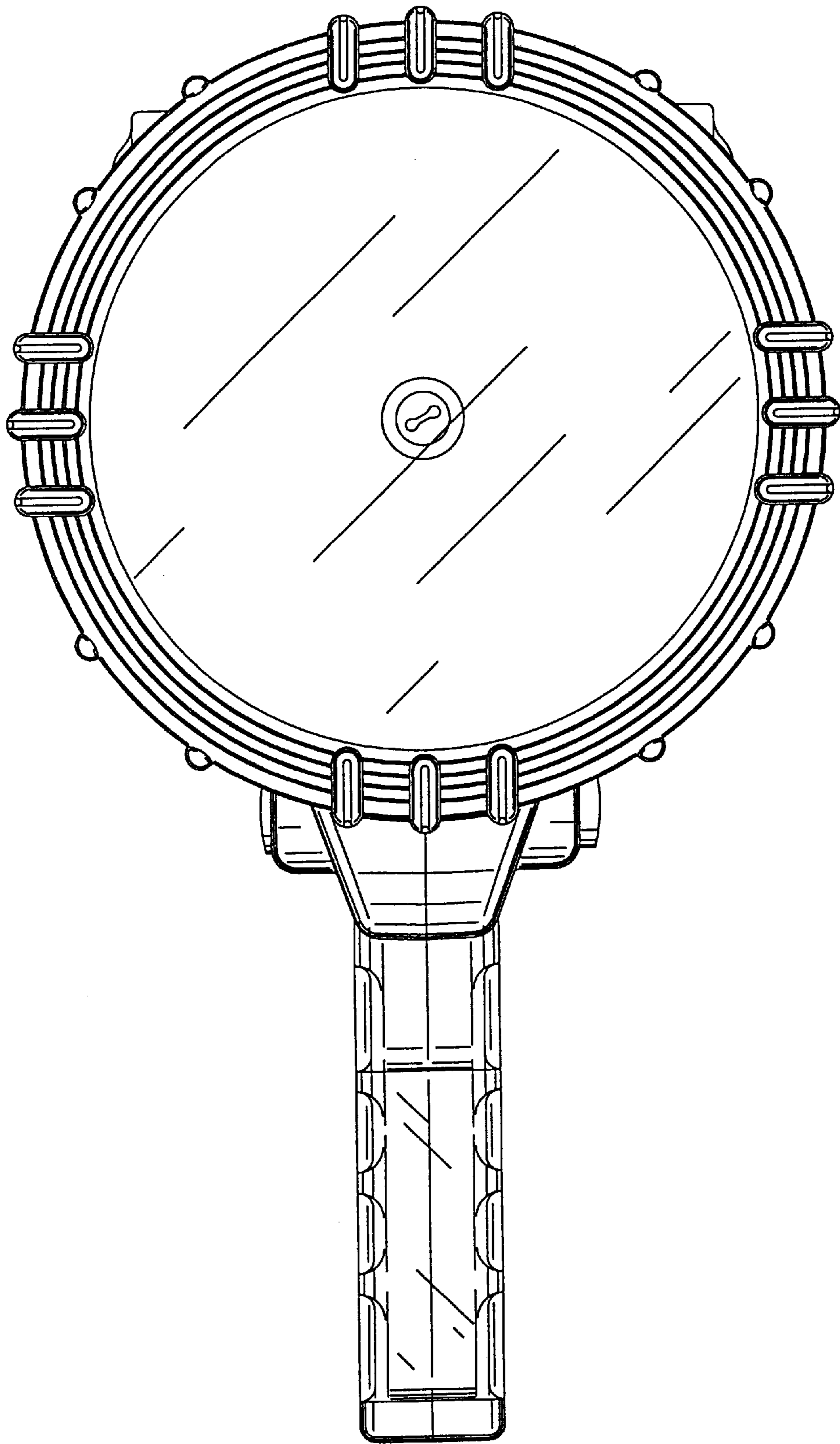


FIG. 7



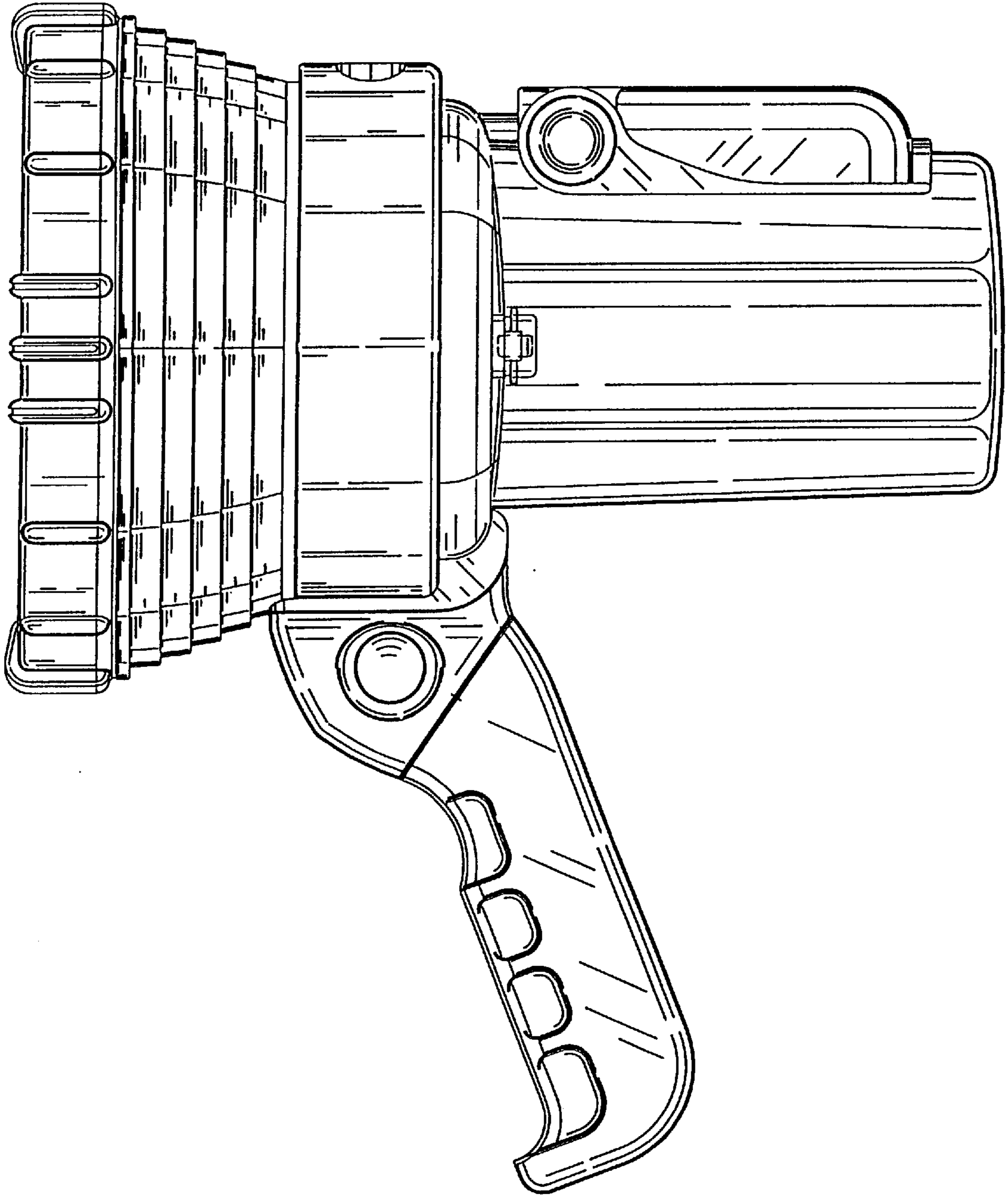


FIG. 8

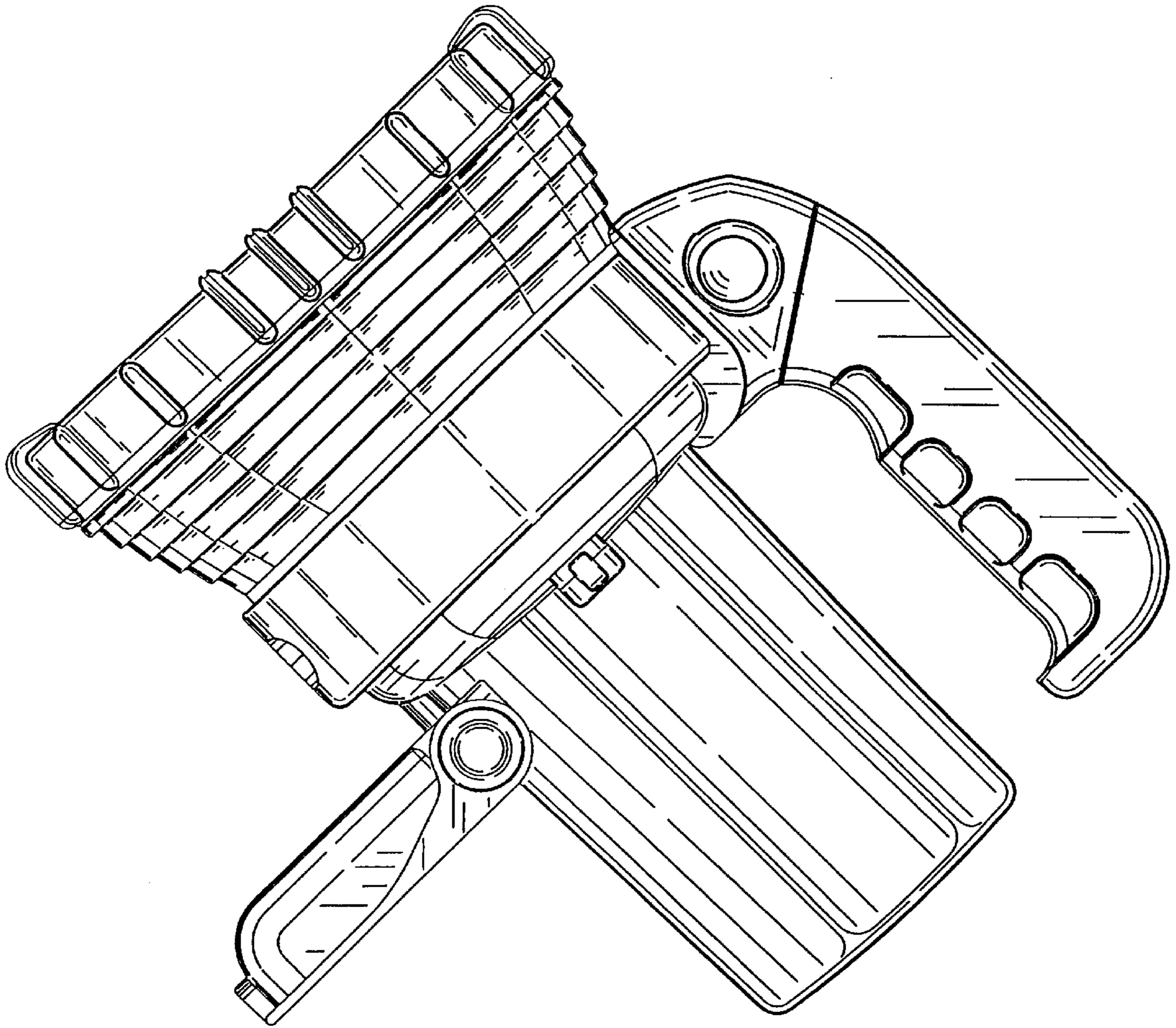


FIG. 9