



US00D438303S

(12) **United States Design Patent**
Meller et al.

(10) **Patent No.: US D438,303 S**

(45) **Date of Patent: ** Feb. 27, 2001**

(54) **ANESTHESIA DELIVERY SYSTEM**

(75) Inventors: **Moshe Meller**, Haifa (IL); **Michael Feldman**, Toms River, NJ (US)

(73) Assignee: **X-Tip Technologies, LLC**, Lakewood, NJ (US)

(**) Term: **14 Years**

(21) Appl. No.: **29/109,694**

(22) Filed: **Aug. 19, 1999**

(51) **LOC (7) Cl.** **24-02**

(52) **U.S. Cl.** **D24/114**

(58) **Field of Search** D24/108, 112,
D24/113, 114, 130, 127, 129; 604/160,
177, 240, 246, 272, 507; 606/80; 433/80,
164, 165

(56) **References Cited**

U.S. PATENT DOCUMENTS

Re. 27,923	*	2/1974	Bentov	604/507
D. 300,243	*	3/1989	Lee	D24/114
D. 378,130	*	2/1997	Schmidt	D24/129
D. 417,730	*	12/1999	Brassil et al.	D24/108
D. 430,290	*	8/2000	Cindrigh et al.	D24/112
5,057,013	*	10/1991	Dillon	433/165
5,762,639	*	6/1998	Gibbs	604/272
5,839,897	*	11/1998	Bordes	433/165

* cited by examiner

Primary Examiner—Alan P. Douglas
Assistant Examiner—Reid Hecker

(74) *Attorney, Agent, or Firm*—Frishauf, Holtz, Goodman, Langer & Chick, P.C.

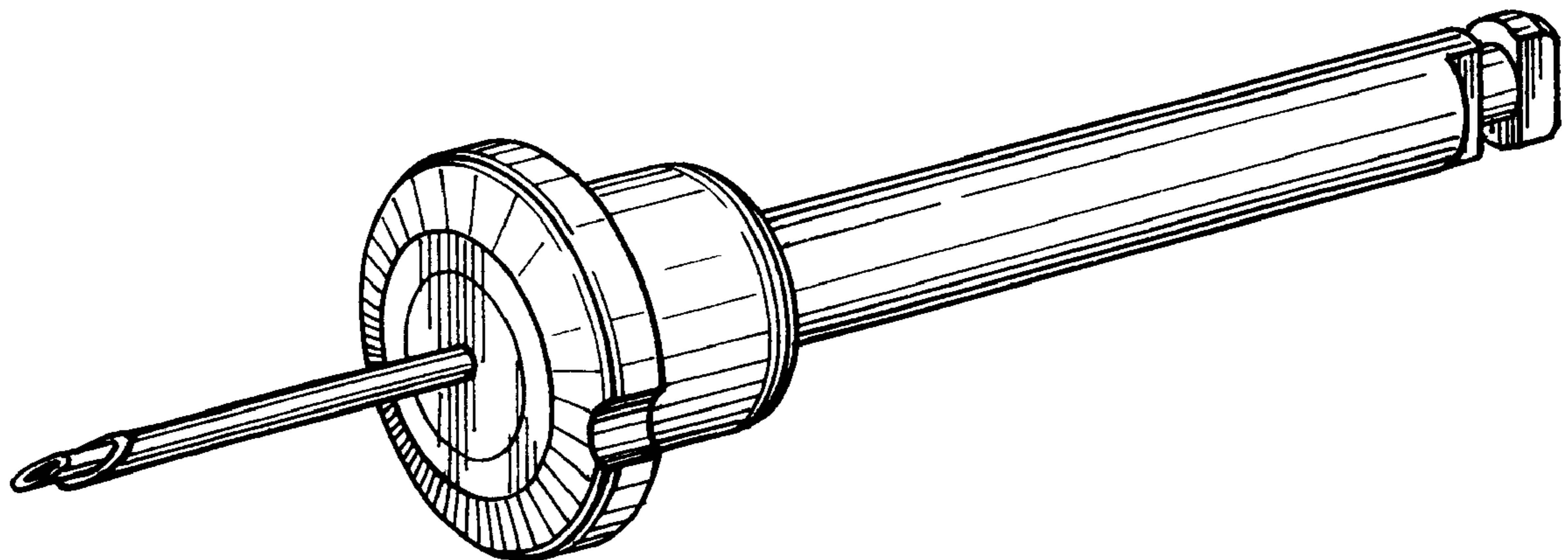
(57) **CLAIM**

The ornamental design for an anesthesia delivery system, as shown and described.

DESCRIPTION

FIG. 1 is a top, front, left end perspective view of the anesthesia delivery system;
 FIG. 2 is a front elevational view thereof;
 FIG. 3 is a top plan view thereof;
 FIG. 4 is a rear elevational view thereof;
 FIG. 5 is a bottom plan view thereof;
 FIG. 6 is a left end elevational view thereof;
 FIG. 7 is a right end elevational view thereof;
 FIG. 8 is a top, front, right end perspective view of the guide sleeve member by itself;
 FIG. 9 is a front elevational view thereof;
 FIG. 10 is a top plan view thereof;
 FIG. 11 is a rear elevational view thereof;
 FIG. 12 is a bottom plan view thereof;
 FIG. 13 is a left end elevational view thereof;
 FIG. 14 is a right end elevational view thereof;
 FIG. 15 is a top, front, left end perspective view of the drill tip member by itself;
 FIG. 16 is a front elevational view thereof;
 FIG. 17 is a top plan view thereof;
 FIG. 18 is a rear elevational view thereof;
 FIG. 19 is a bottom plan view thereof;
 FIG. 20 is a left end elevational view thereof; and,
 FIG. 21 is a right end elevational view thereof.

1 Claim, 3 Drawing Sheets



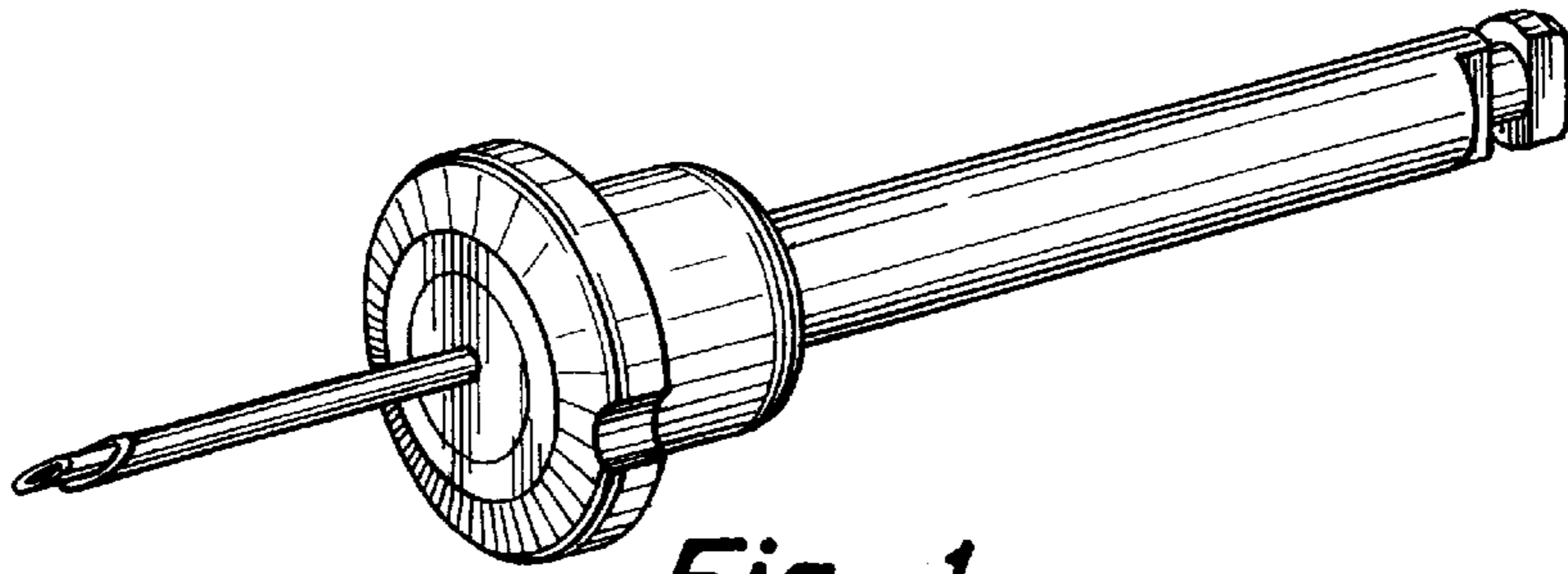


Fig. 1

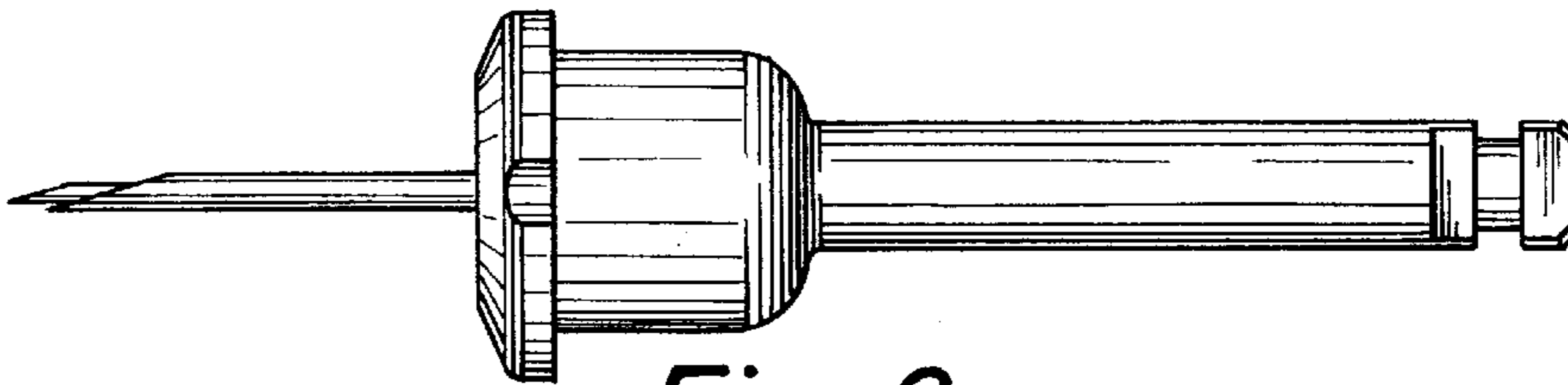


Fig. 2

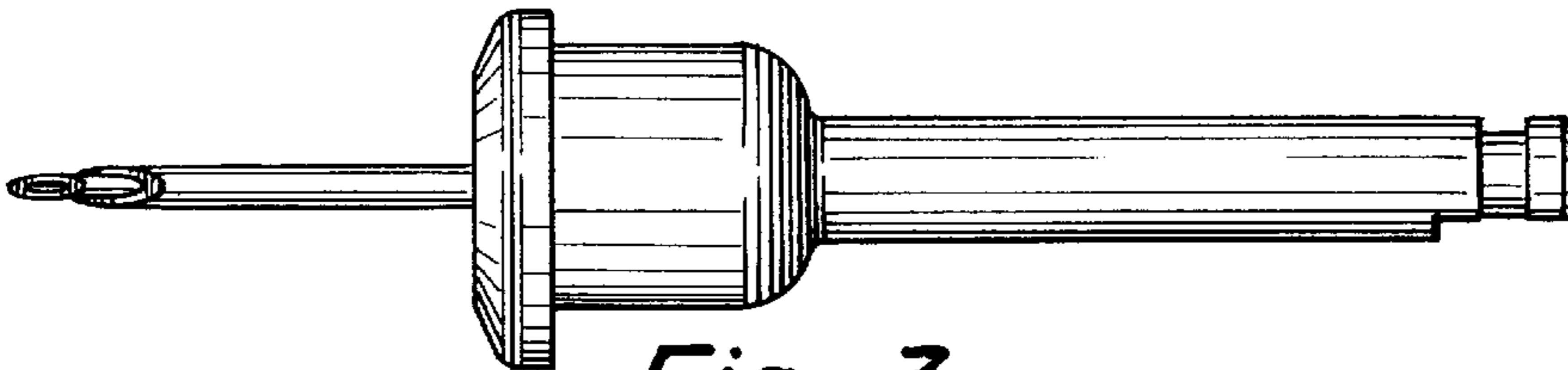


Fig. 3

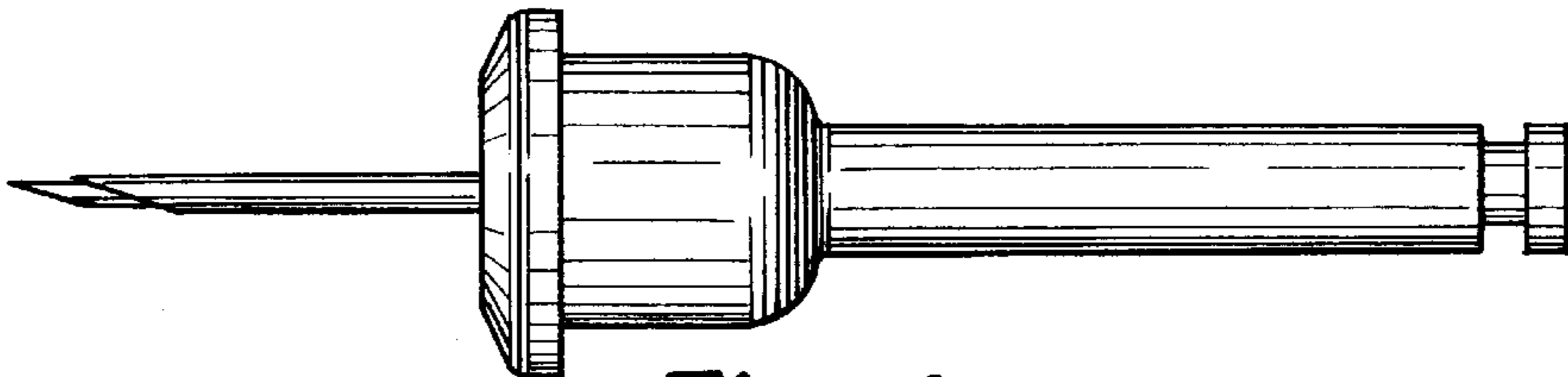


Fig. 4

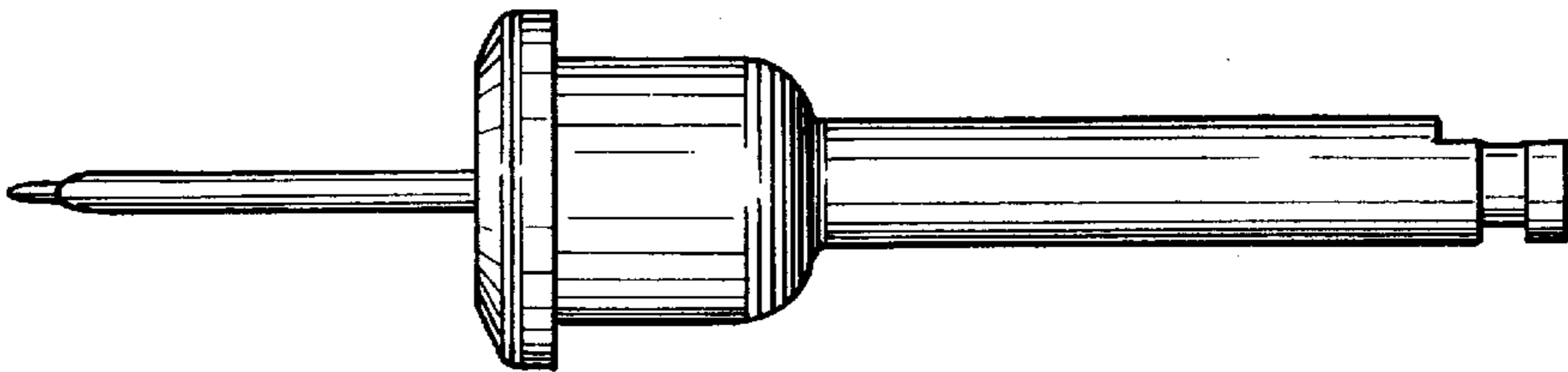


Fig. 5

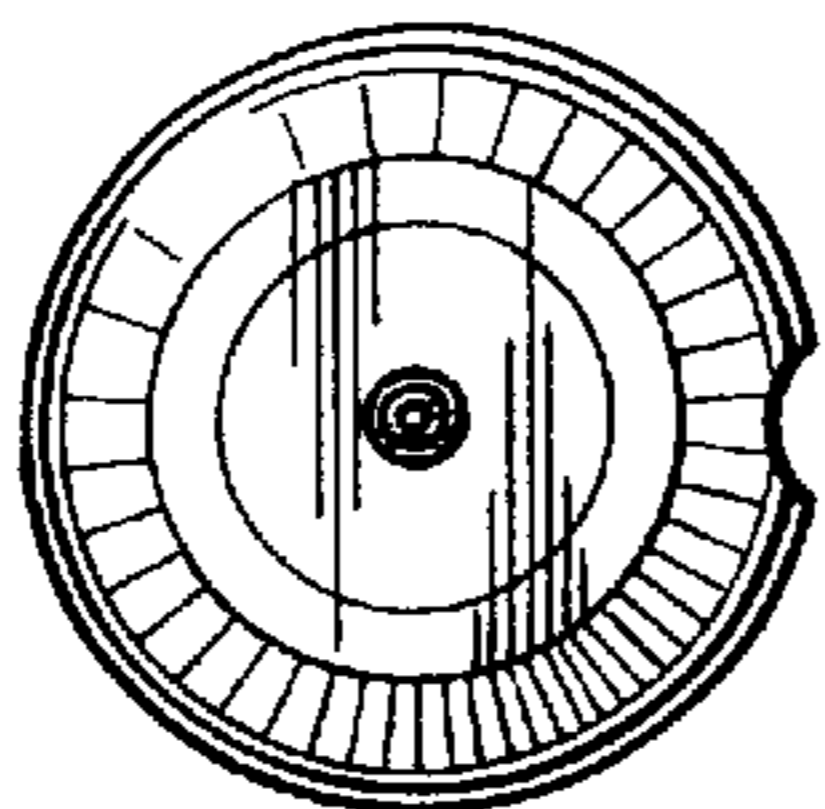


Fig. 6

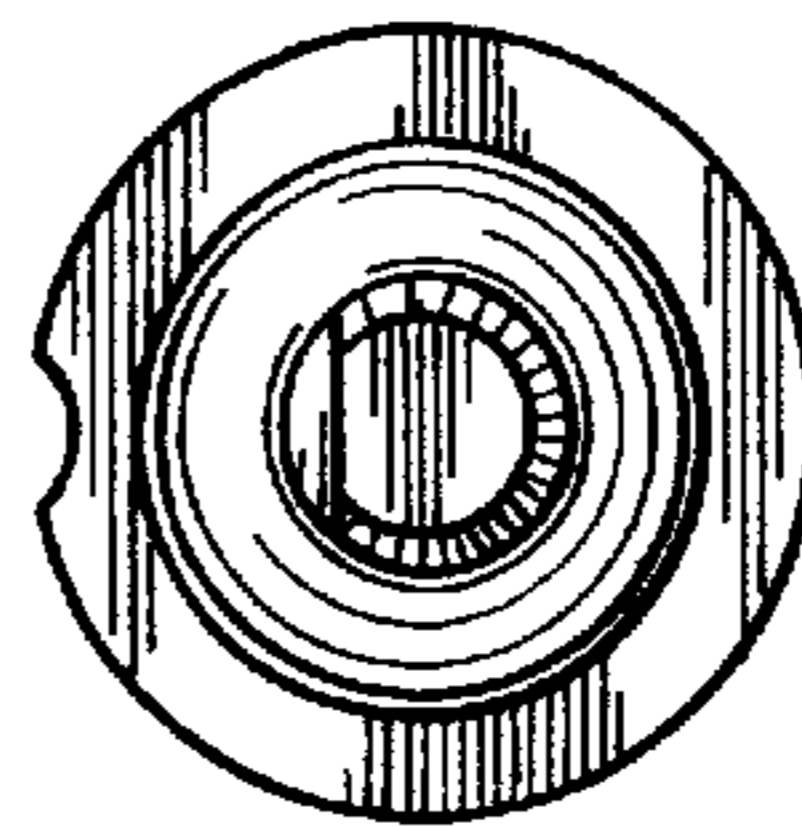


Fig. 7

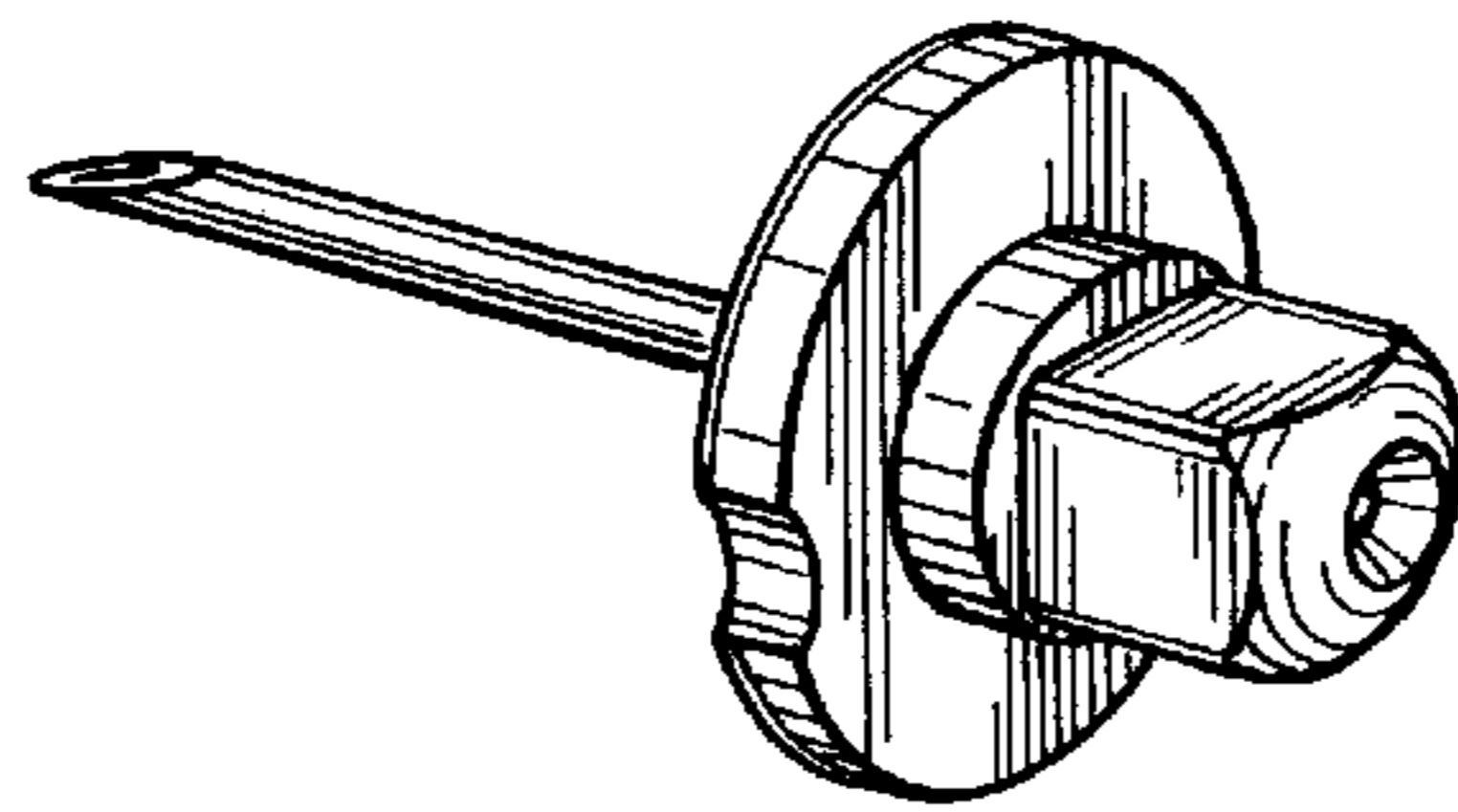


Fig. 8

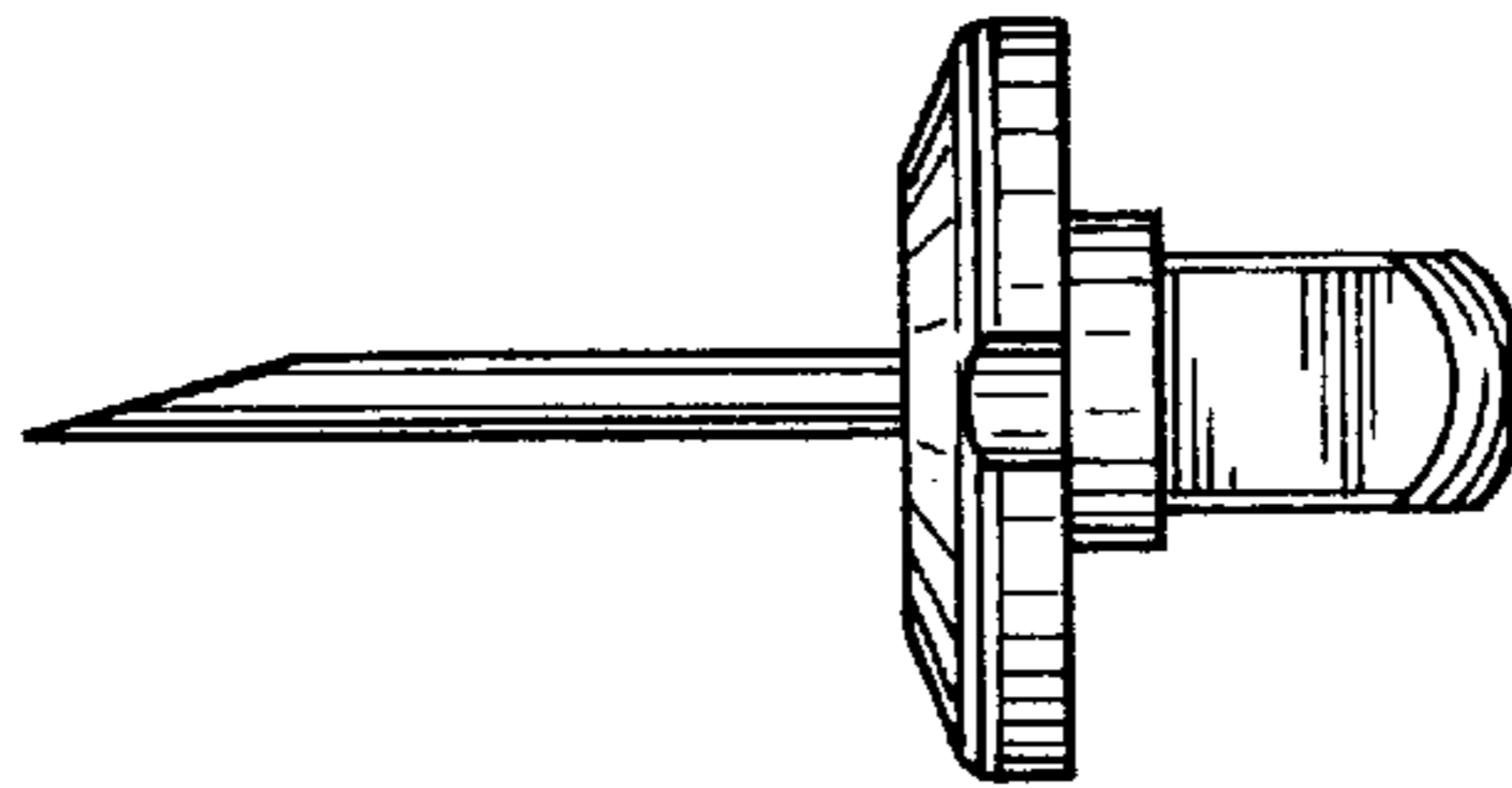


Fig. 9

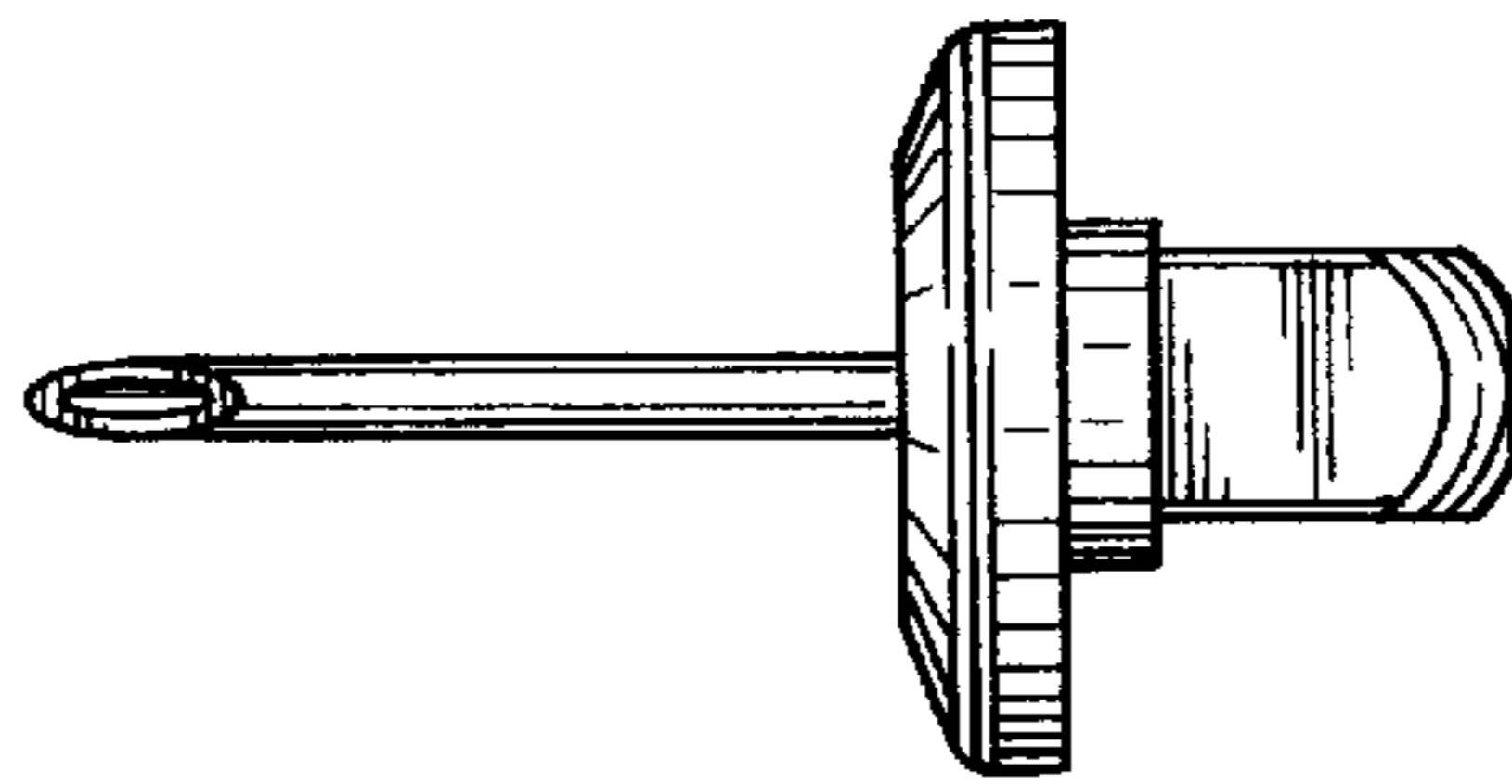


Fig. 10

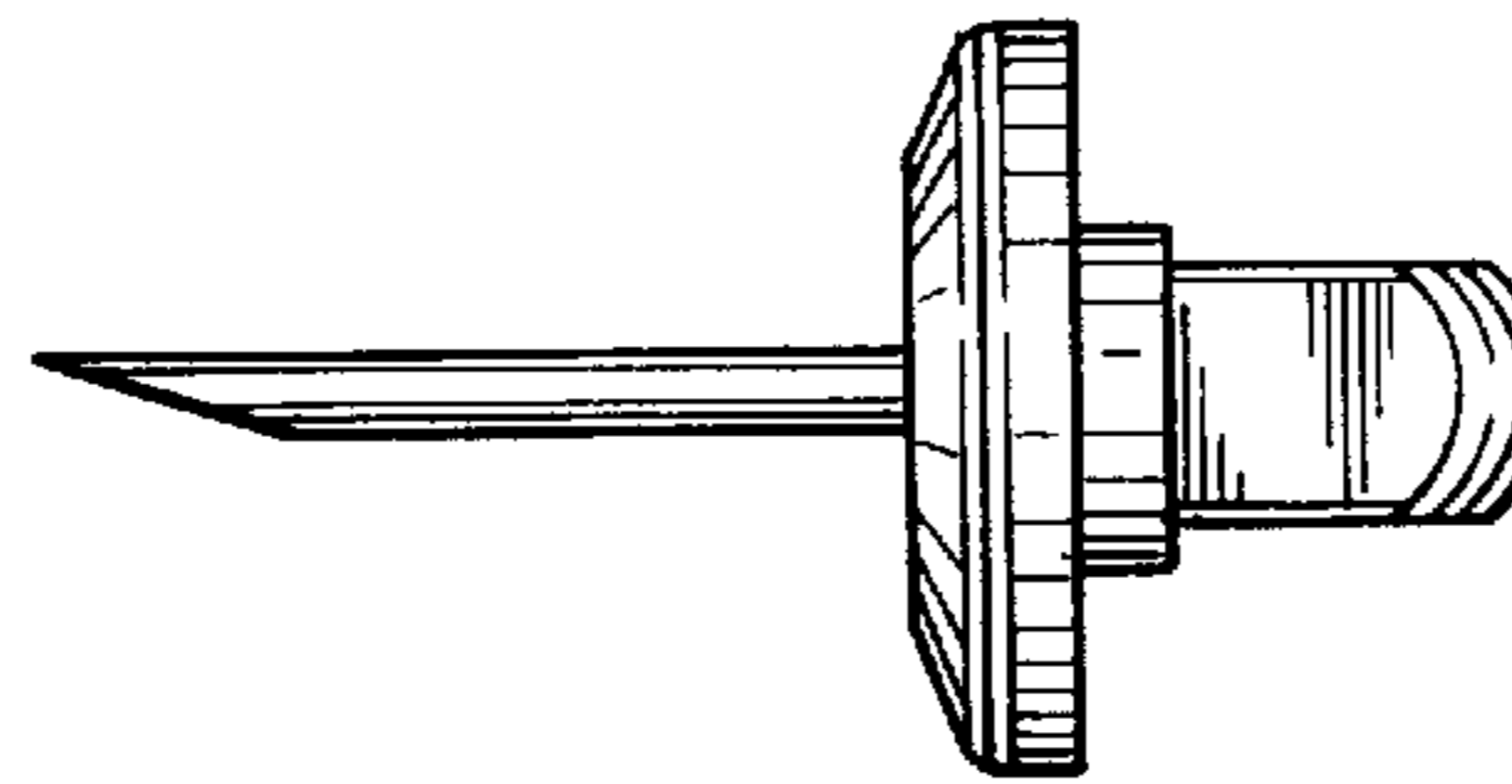


Fig. 11

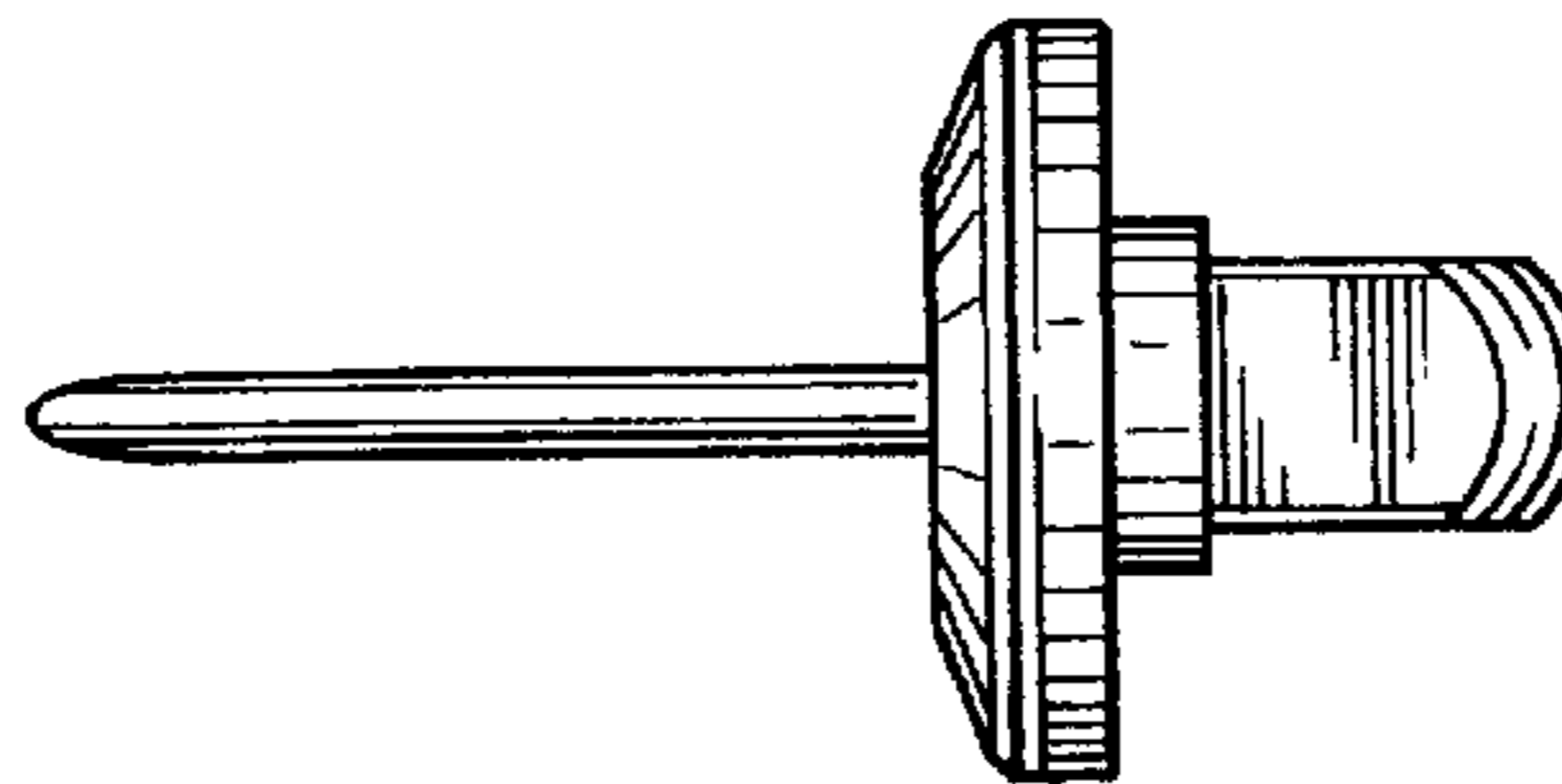


Fig. 12

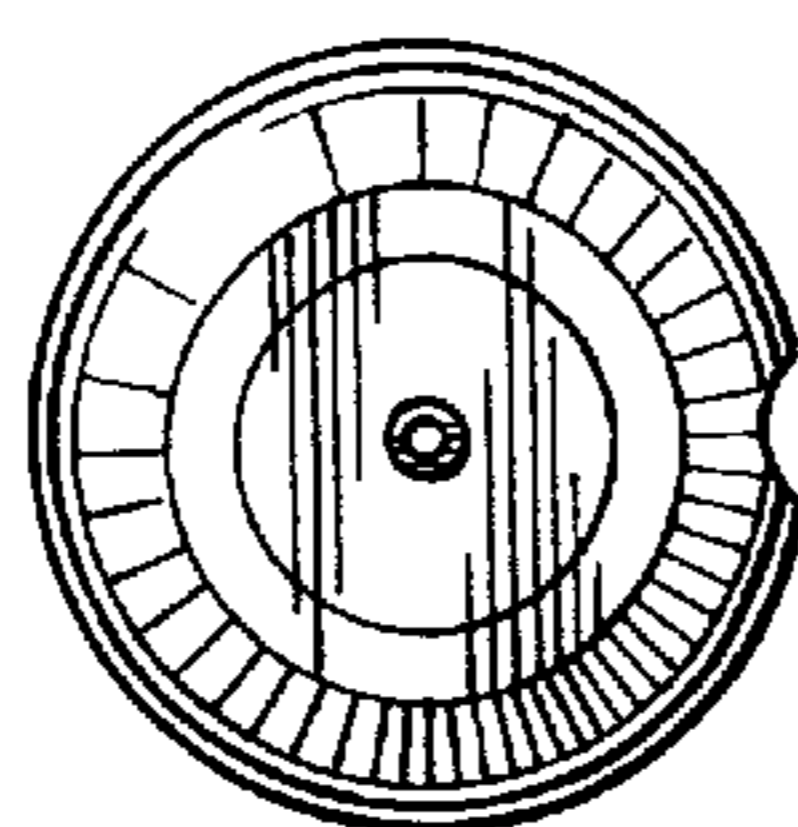


Fig. 13

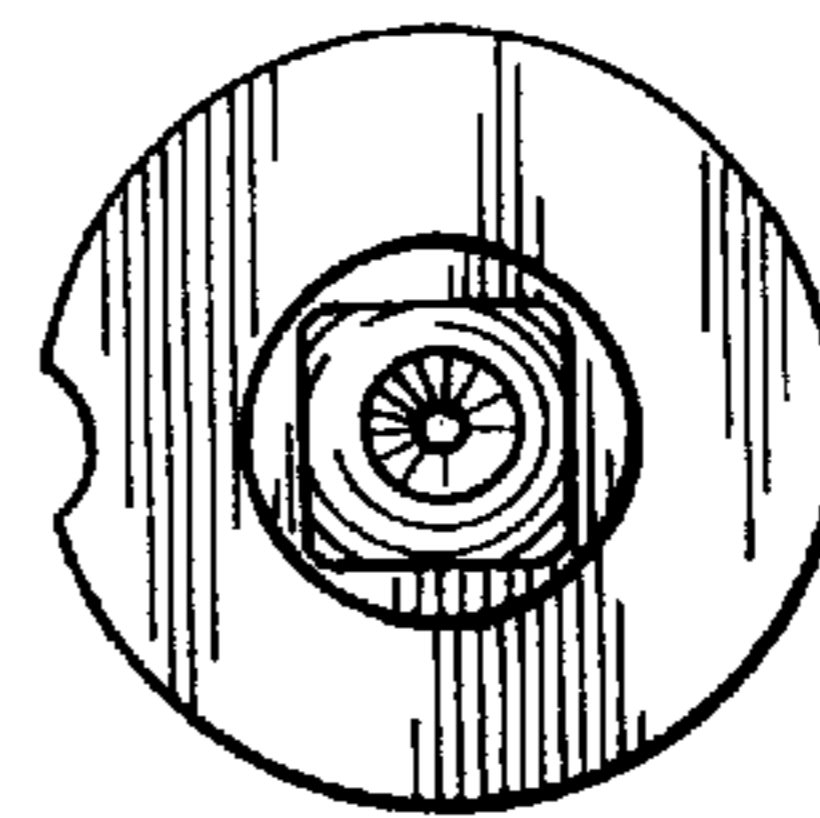


Fig. 14

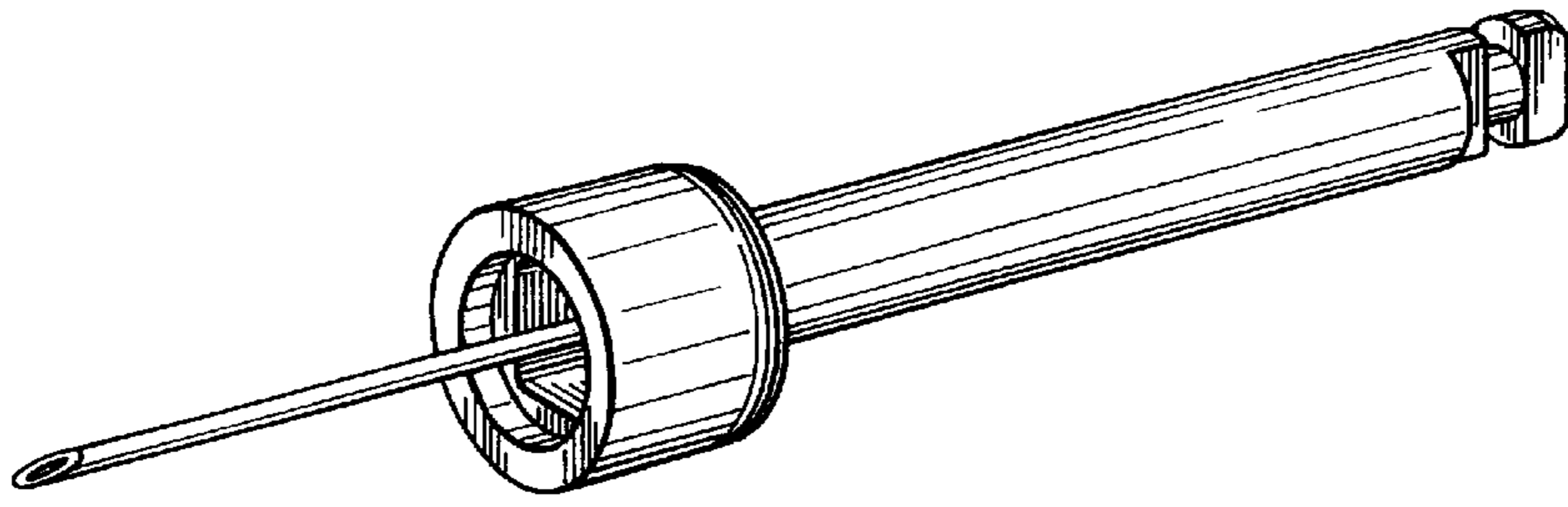


Fig. 15

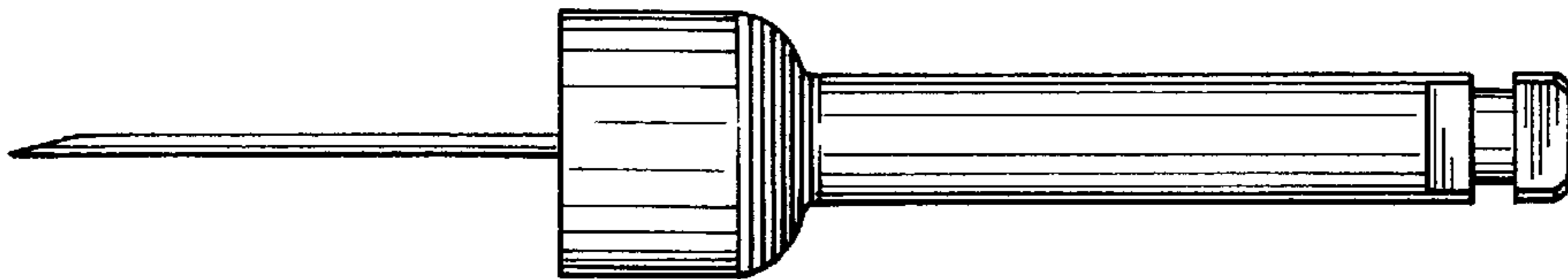


Fig. 16

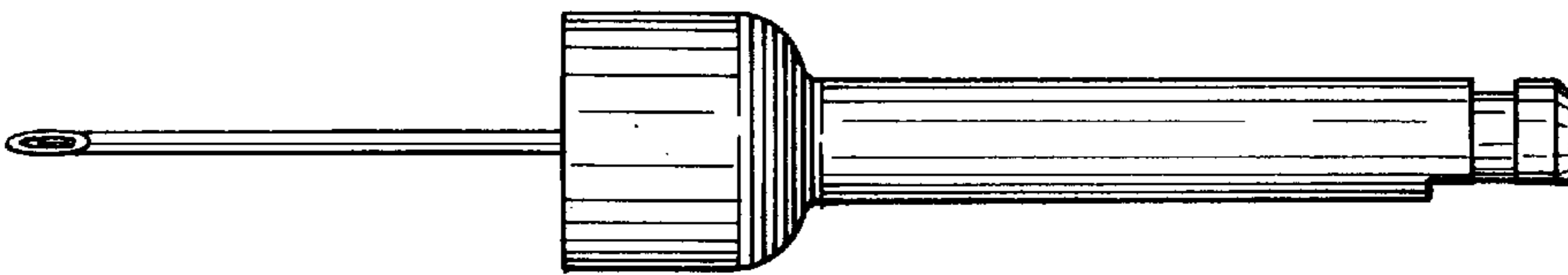


Fig. 17

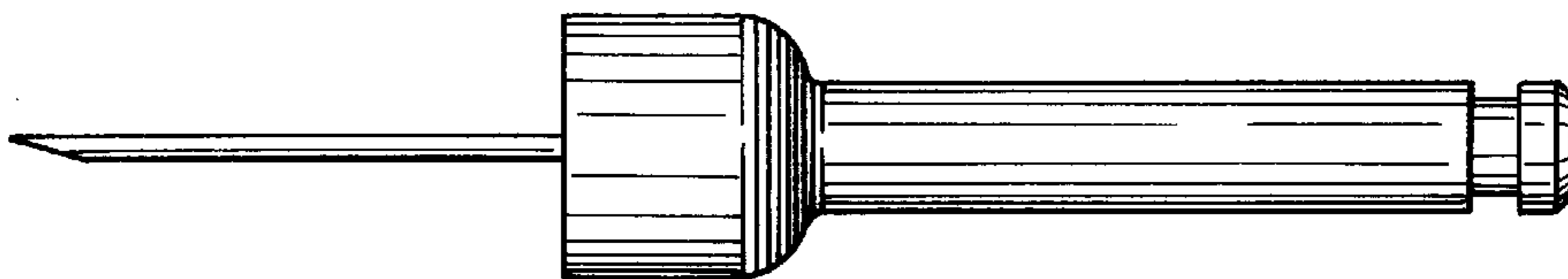


Fig. 18

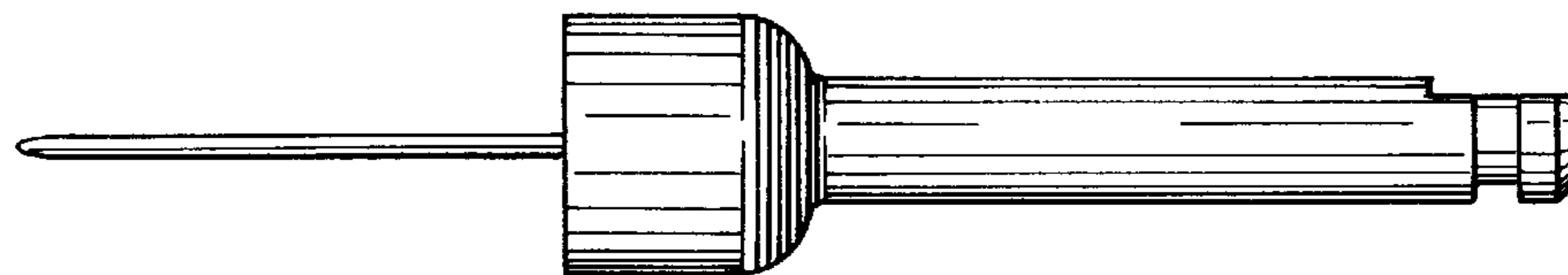


Fig. 19

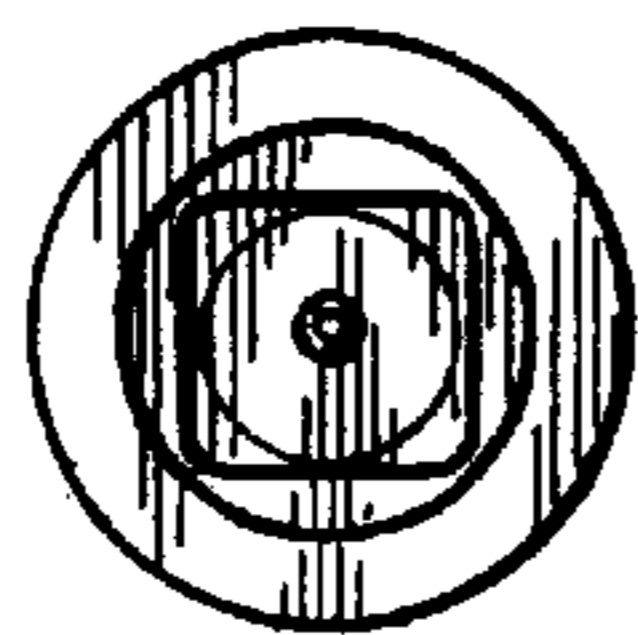


Fig. 20

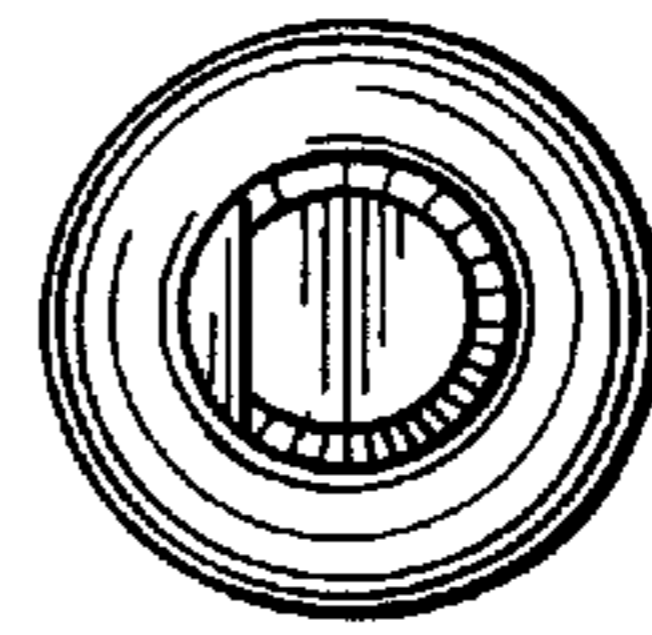


Fig. 21