



US00D438302S

(12) **United States Design Patent**
McGugan

(10) **Patent No.:** **US D438,302 S**

(45) **Date of Patent:** **** Feb. 27, 2001**

(54) **HOUSING FOR SURGICAL SEALANT APPLICATOR SYSTEM**

6,059,749 * 5/2000 Marx 604/82

* cited by examiner

(75) Inventor: **Steve McGugan**, Copenhagen (DK)

Primary Examiner—Alan P. Douglas

Assistant Examiner—Reid Hecker

(73) Assignee: **Bristol-Myers Squibb Company**, New York, NY (US)

(74) *Attorney, Agent, or Firm*—Theodore R. Furman, Jr.; Stuart E. Krieger

(**) Term: **14 Years**

(57) **CLAIM**

(21) Appl. No.: **29/109,823**

The ornamental design for a housing for surgical sealant applicator system, as shown and described.

(22) Filed: **Aug. 25, 1999**

DESCRIPTION

(51) **LOC (7) Cl.** **24-01**

(52) **U.S. Cl.** **D24/108**

(58) **Field of Search** D24/107, 108, D24/127, 169, 180, 216, 227, 231, 232; 222/129, 136, 145.1, 478, 482, 485, 491; 604/4, 6, 11, 28, 49, 82, 289; 422/41, 48; 210/198.1, 782; 606/213, 214, 215

FIG. 1 is a perspective view of a front and a right side of a housing for surgical sealant applicator system showing my new design;

FIG. 2 is a perspective view of a front thereof;

FIG. 3 is a rear perspective view thereof;

FIG. 4 is a perspective view of a right side thereof, the left side being a mirror image thereof; and,

FIG. 5 is a top perspective view thereof, shown at an enlarged scale.

(56) **References Cited**

U.S. PATENT DOCUMENTS

- D. 396,289 * 7/1998 McGugan D24/169
- D. 419,234 * 1/2000 Doms et al. D24/107
- D. 420,444 * 2/2000 McGugan D24/169
- D. 422,695 * 4/2000 van Engelen et al. D24/107

The bottom is plain and unornamented.

The elements shown in phantom lines do not form any part of the design of the present application.

1 Claim, 5 Drawing Sheets

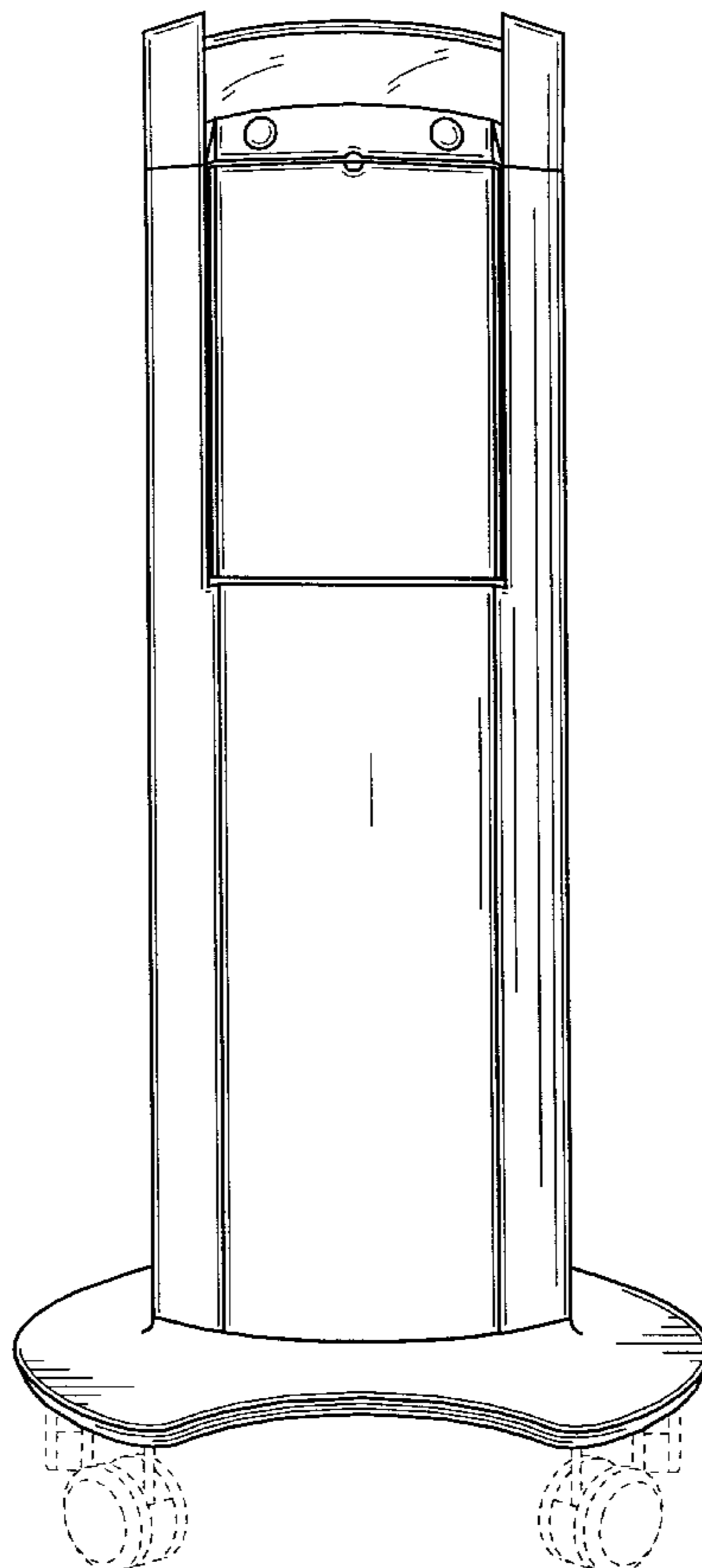


FIG. 1

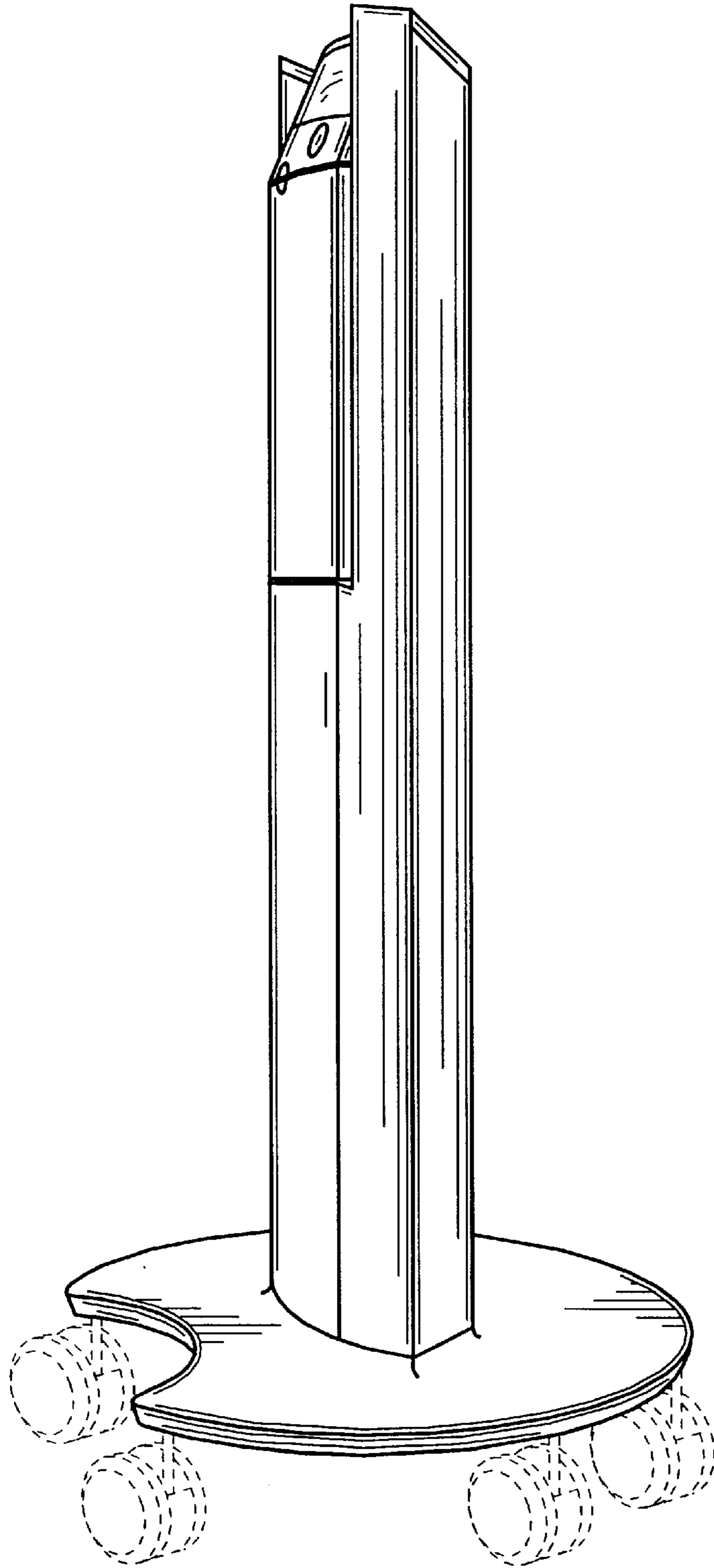


FIG. 2

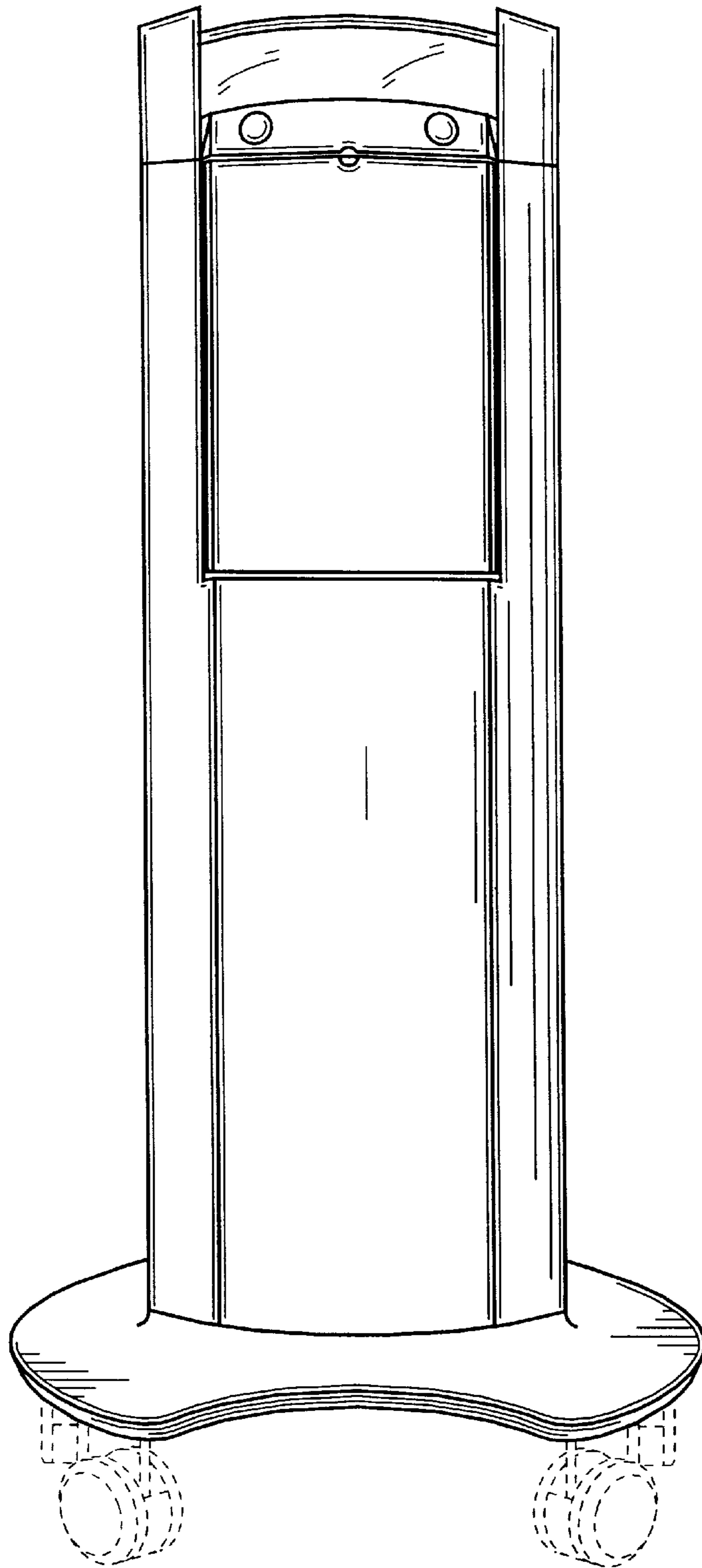


FIG. 3

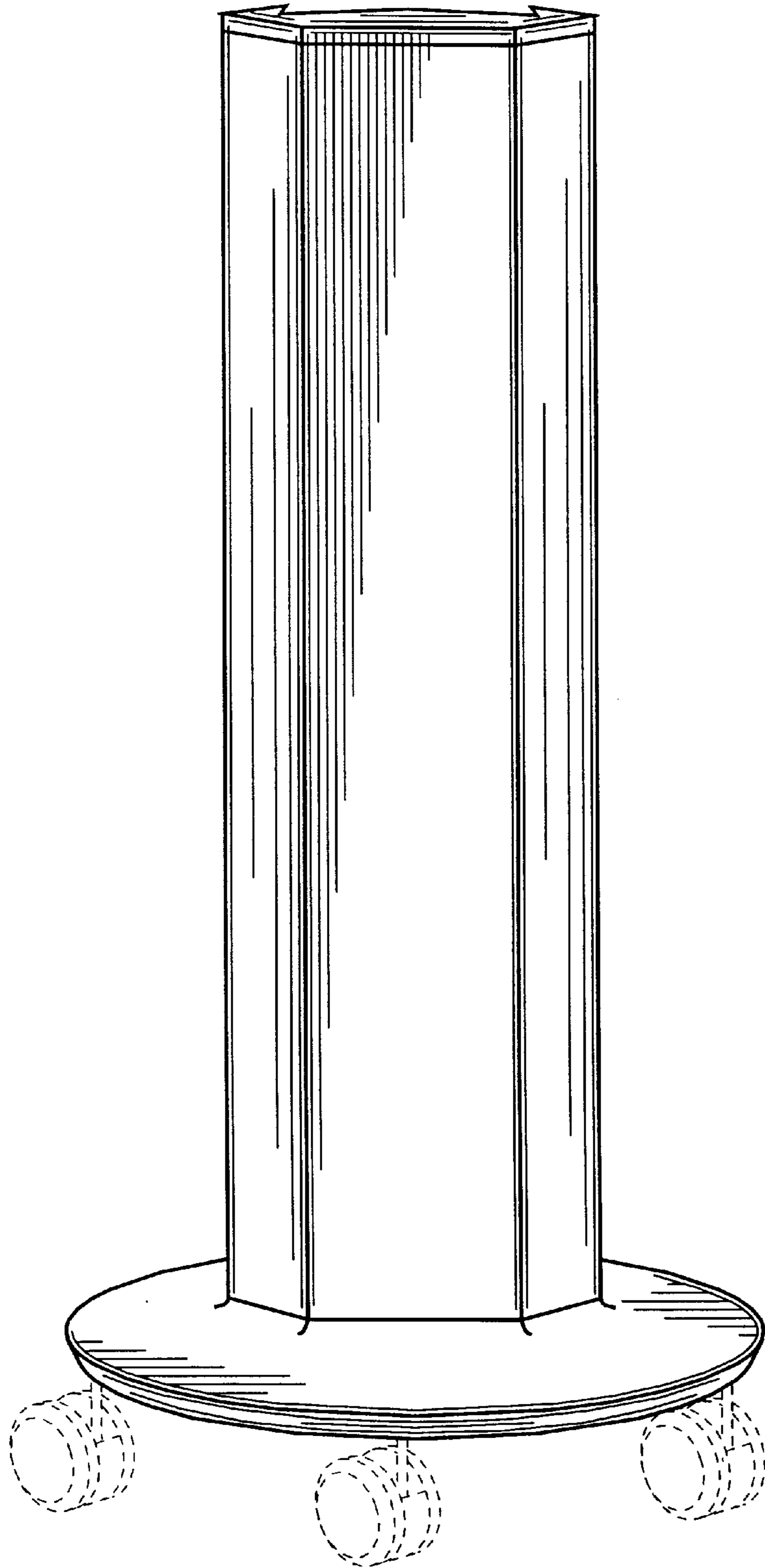


FIG. 4

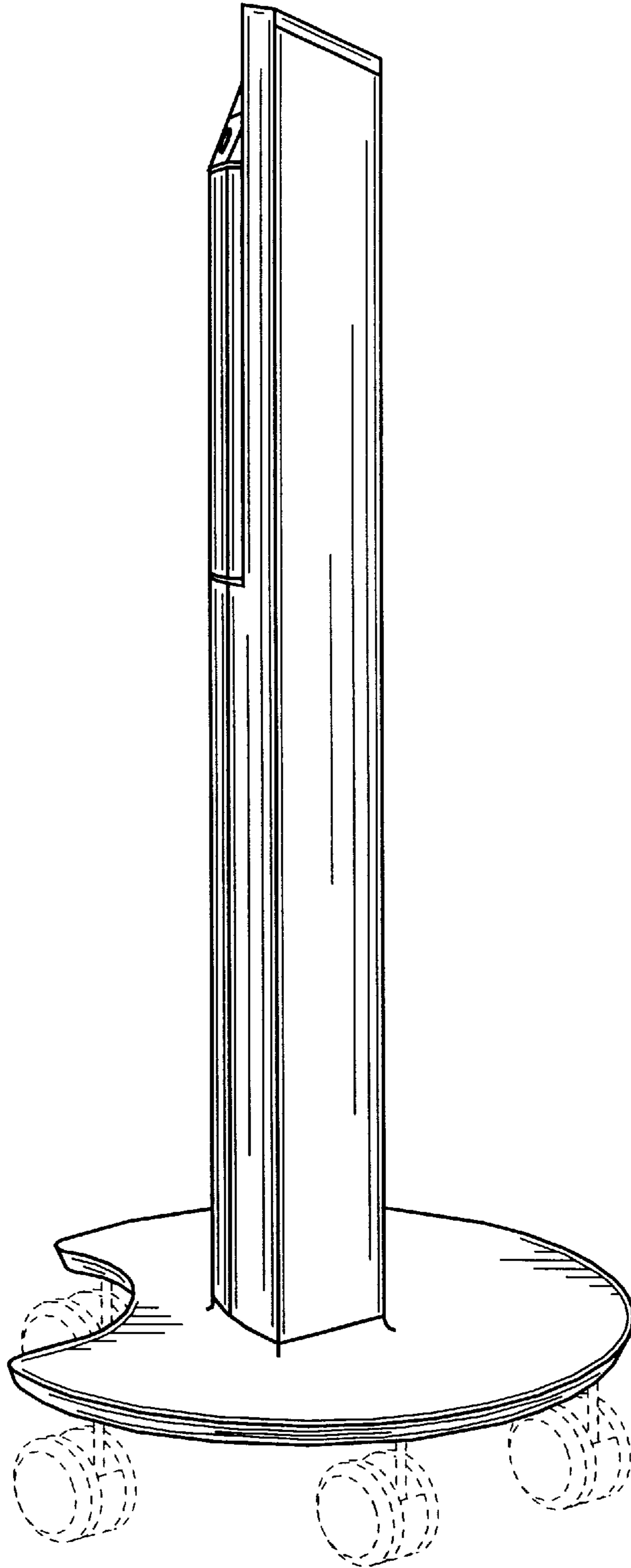


FIG. 5

