



US00D438299S

(12) **United States Design Patent**
Gonzales

(10) **Patent No.:** **US D438,299 S**

(45) **Date of Patent:** **** Feb. 27, 2001**

(54) **TWIN WINDOW FAN WITH THERMOSTAT**

D. 425,979 * 5/2000 Lozzio et al. D23/380

(75) **Inventor:** **Leo Gonzales, West Chester, PA (US)**

* cited by examiner

(73) **Assignee:** **Lasko Holdings, Inc., West Chester, PA (US)**

Primary Examiner—Lisa Lichtenstein

(74) *Attorney, Agent, or Firm*—Zachary T. Wobensmith, III

(**) **Term:** **14 Years**

(57) **CLAIM**

(21) **Appl. No.:** **29/126,938**

The ornamental design for a twin window fan with thermostat, as shown and described.

(22) **Filed:** **Jul. 28, 2000**

DESCRIPTION

(51) **LOC (7) Cl.** **23-04**

FIG. 1 is a perspective view of a twin window fan with thermostat, showing my new design;

(52) **U.S. Cl.** **D23/380; D23/381**

FIG. 2 is a top plan view thereof;

(58) **Field of Search** D23/380, 370, D23/381, 382, 351-354; 416/247 R, 244, 246; 454/210, 208

FIG. 3 is a front elevational view thereof;

FIG. 4 is a bottom plan view thereof;

FIG. 5 is a rear elevational view thereof;

FIG. 6 is a left side elevational view thereof, and,

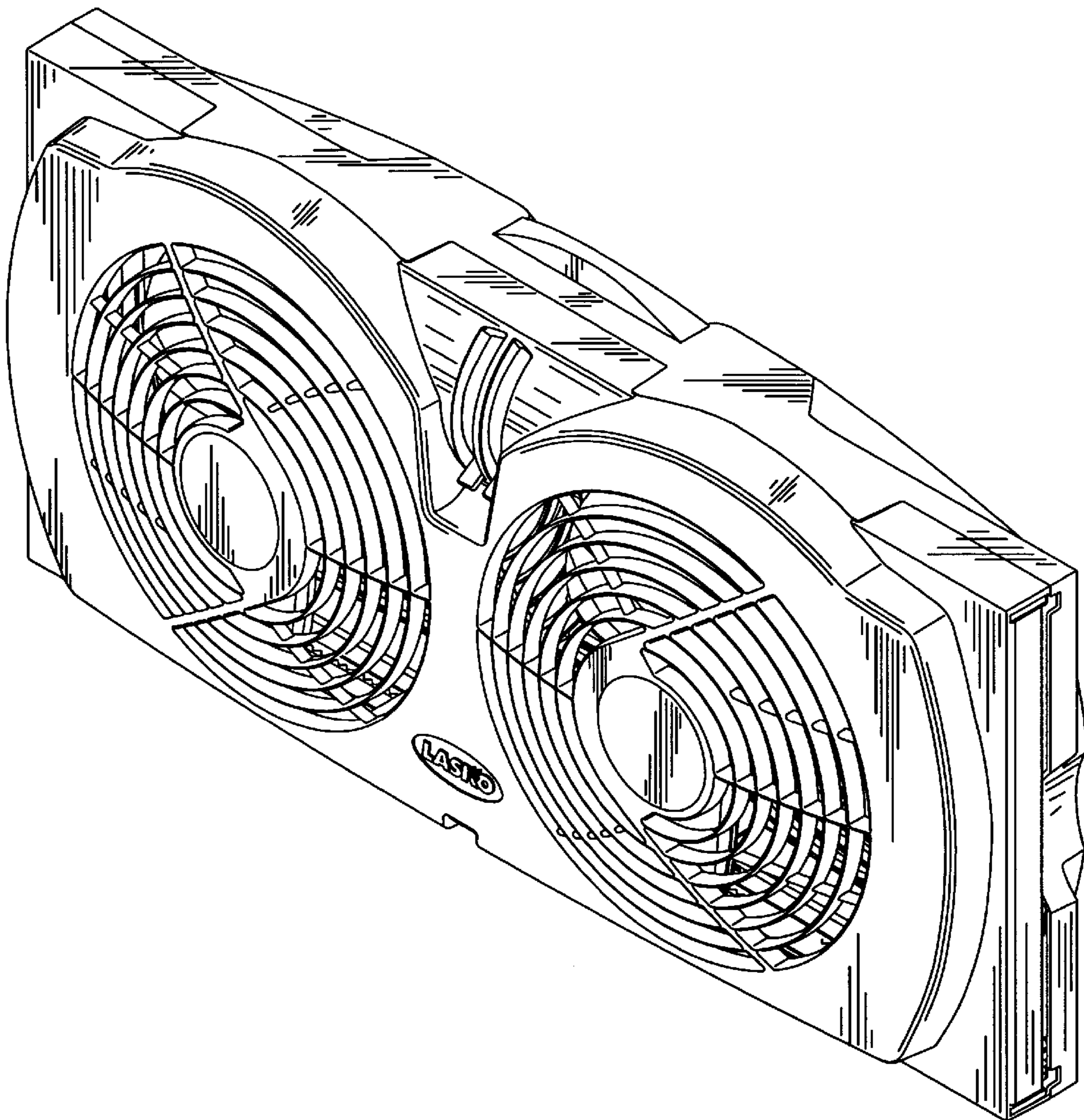
FIG. 7 is a right side elevational view thereof.

(56) **References Cited**

U.S. PATENT DOCUMENTS

D. 397,200 * 8/1998 Wang et al. D23/380

1 Claim, 6 Drawing Sheets



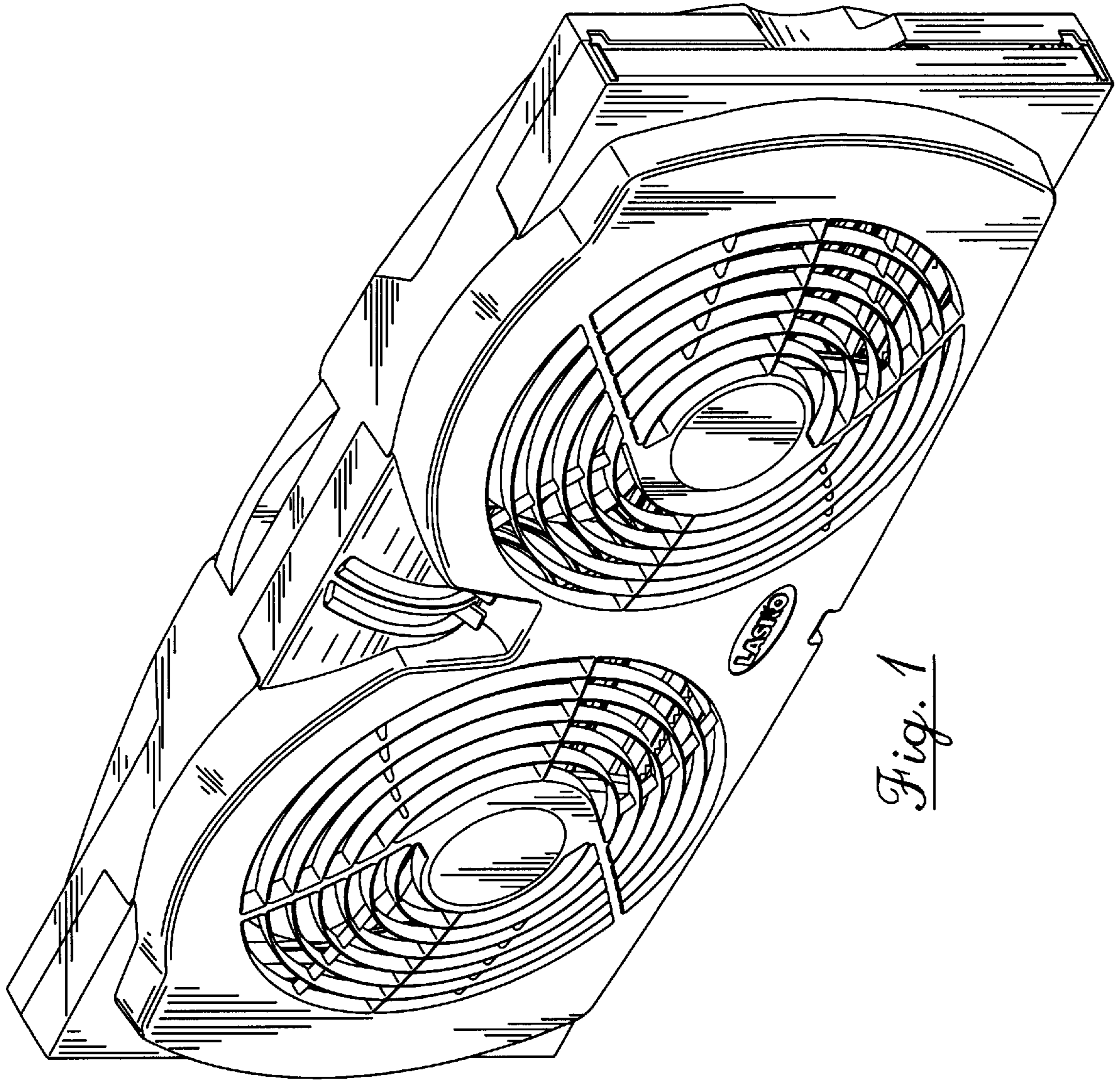


Fig. 1

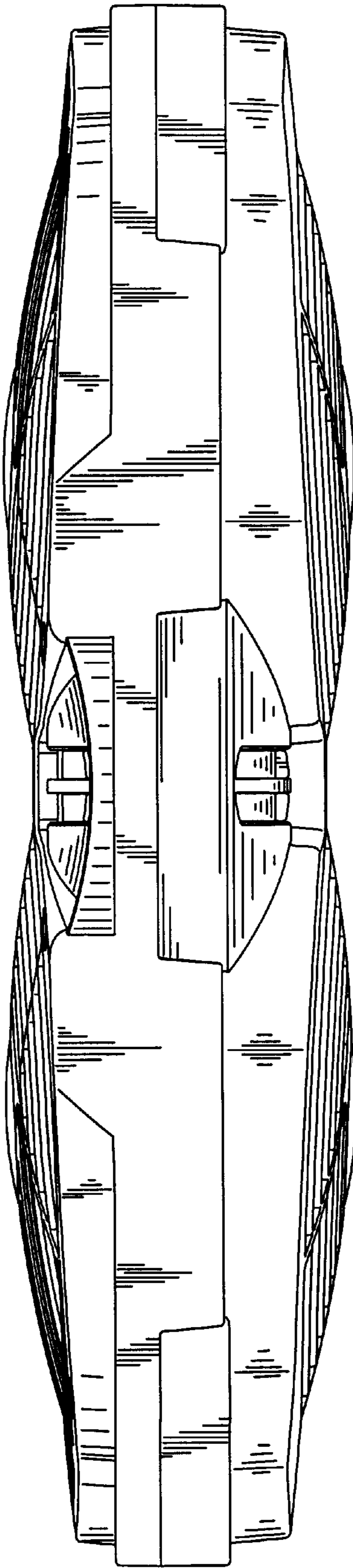


Fig. 2

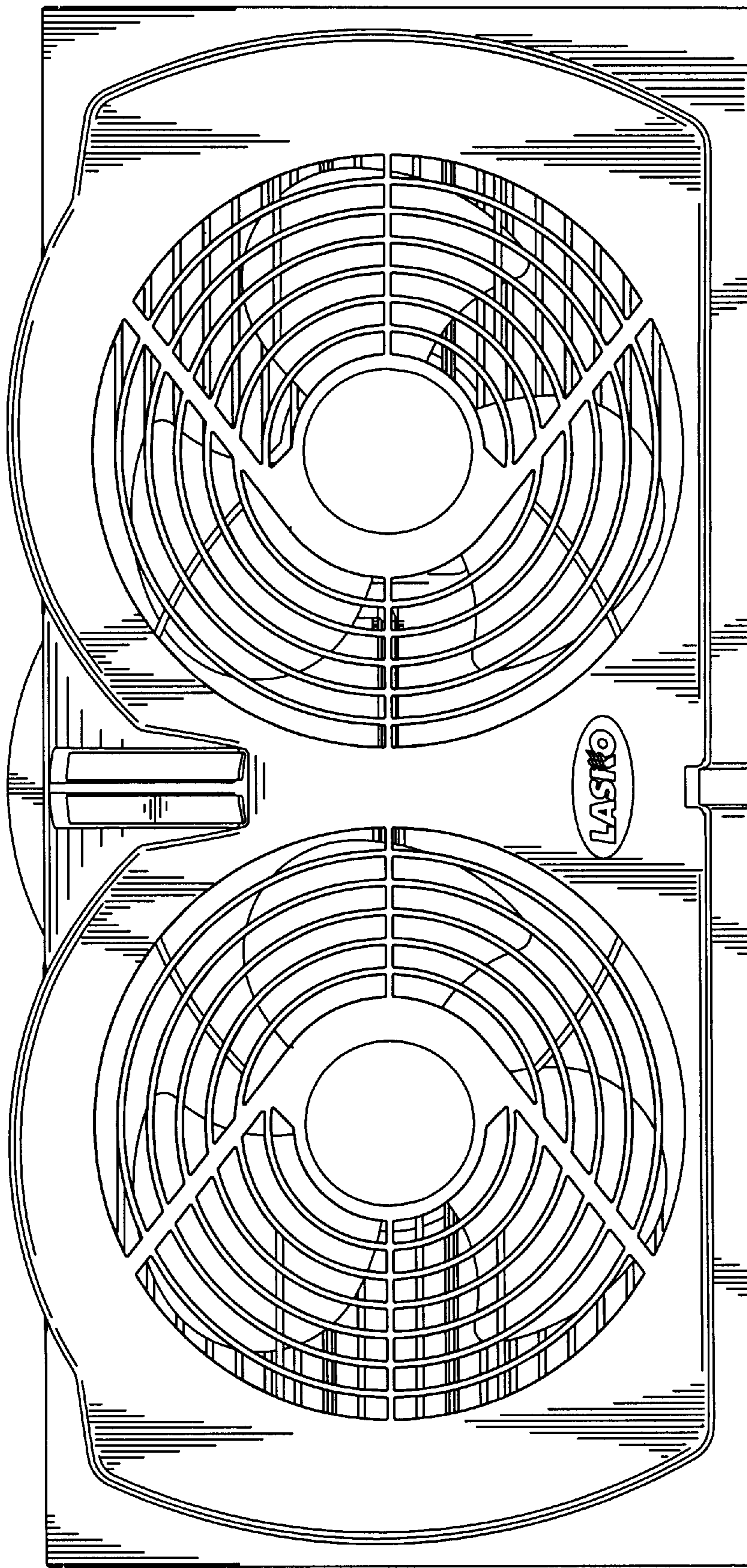


Fig. 3

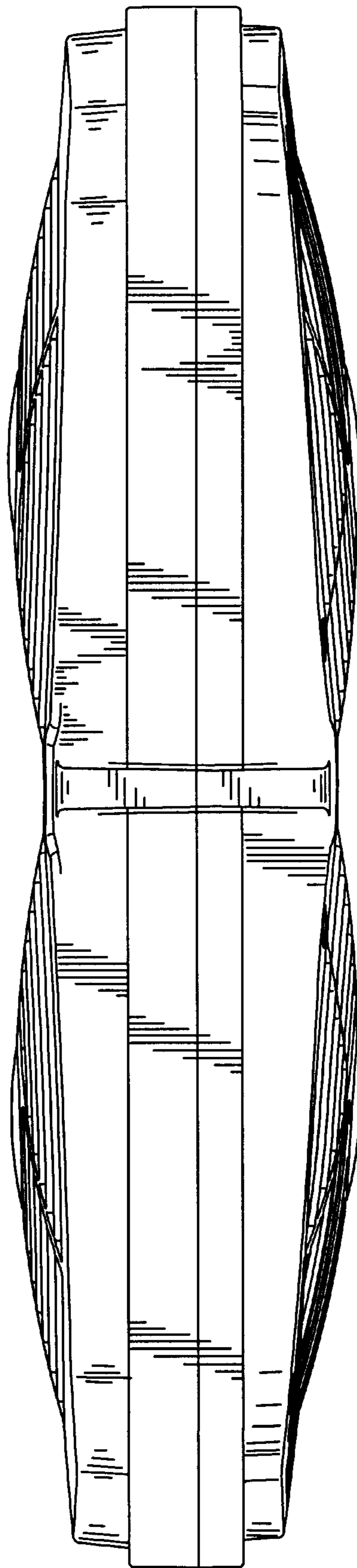


Fig. 4

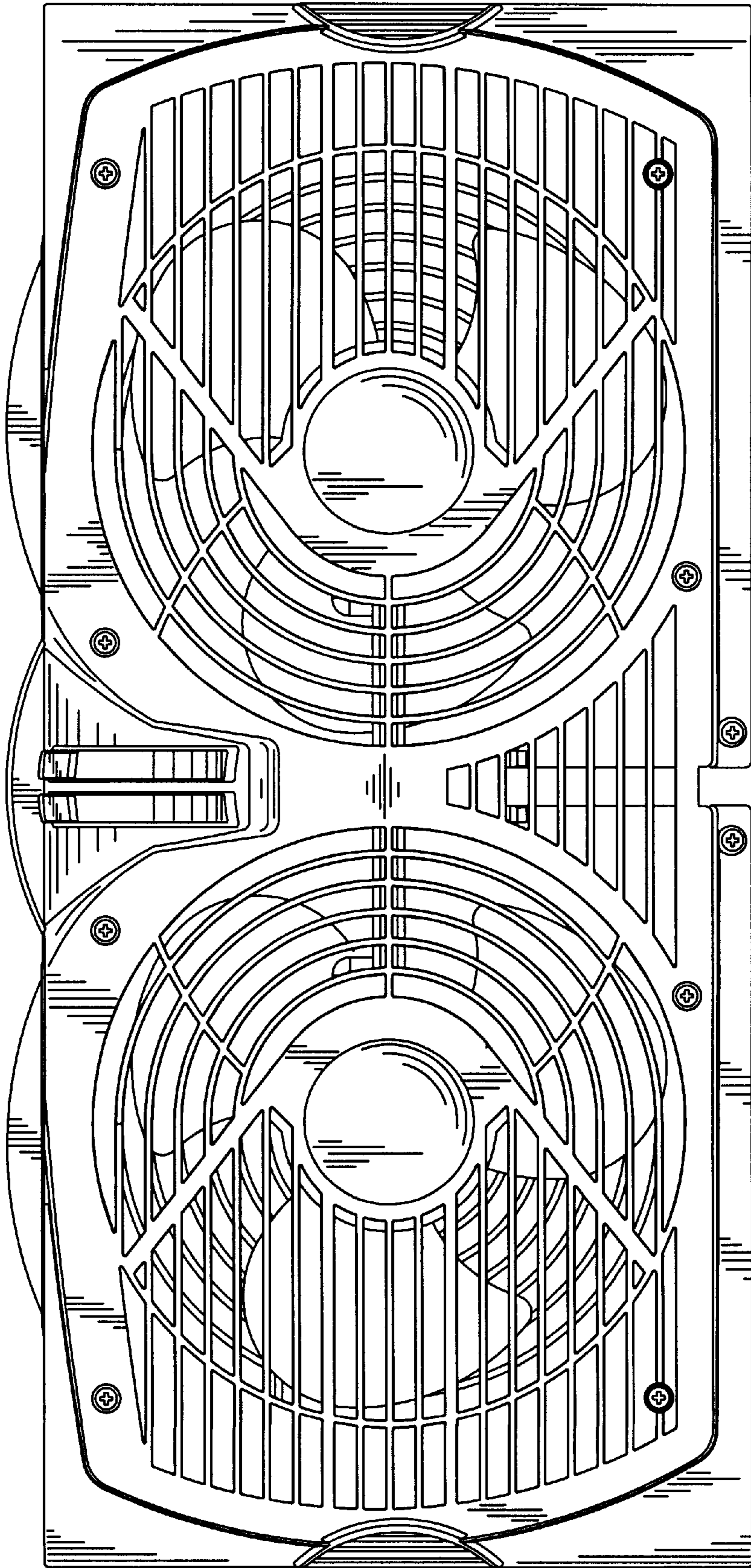


Fig. 5

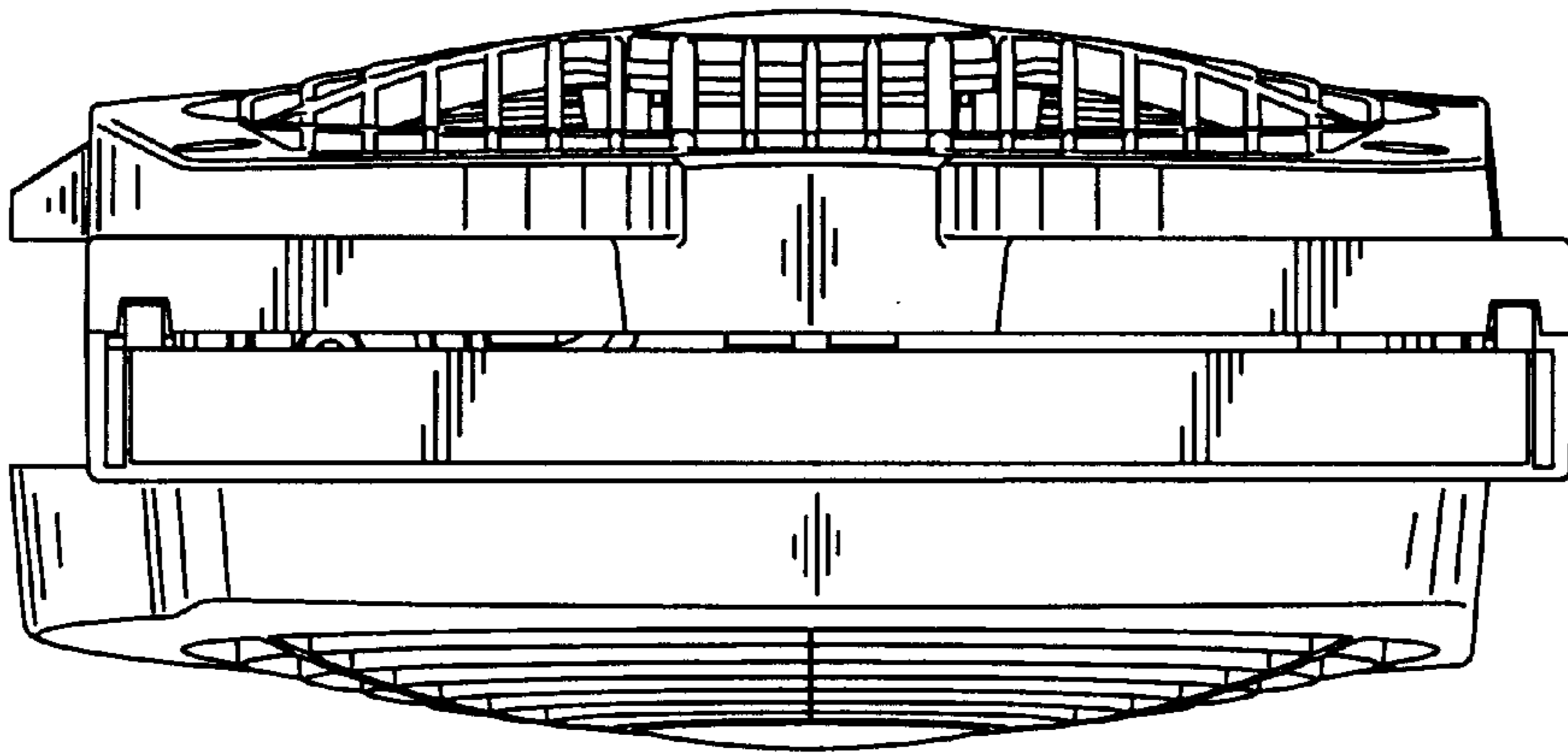


Fig. 7

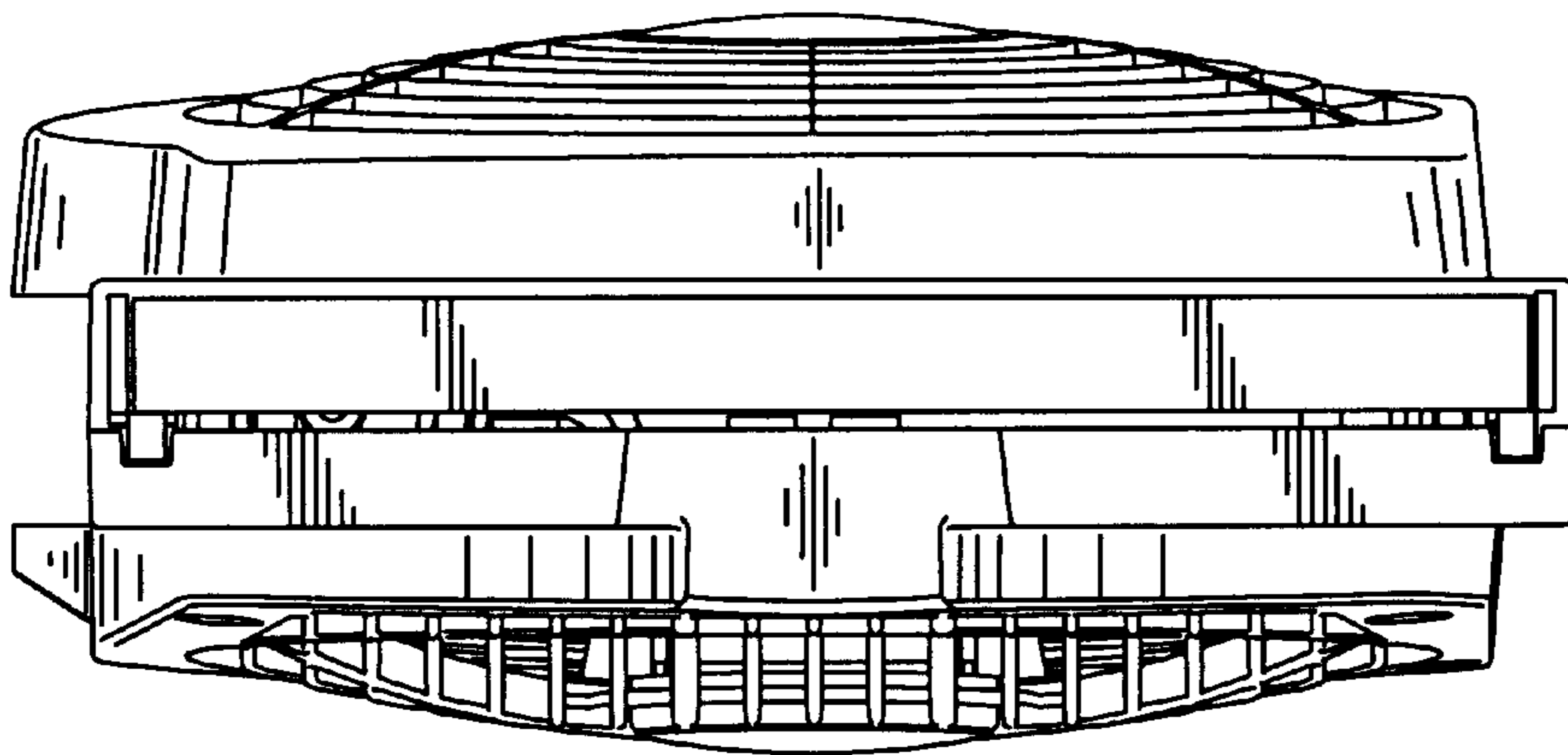


Fig. 6