



US00D438298S

(12) **United States Design Patent**
McNutt

(10) **Patent No.:** **US D438,298 S**

(45) **Date of Patent:** **** Feb. 27, 2001**

(54) **AIR FRESHENER**

D. 355,735 * 2/1995 Shaffer et al. D7/511

* cited by examiner

(76) **Inventor:** **Steve McNutt**, 2014 Blue Ave.,
Richland, WA (US) 99352

Primary Examiner—Lisa Lichtenstein
(74) *Attorney, Agent, or Firm*—Liebler, Ivey & Connor;
Floyd E. Ivey

(**) **Term:** **14 Years**

(21) **Appl. No.:** **29/101,541**

(57) **CLAIM**

The ornamental design for an air freshener, as shown and described.

(22) **Filed:** **Mar. 5, 1999**

DESCRIPTION

(51) **LOC (7) Cl.** **23-04**

(52) **U.S. Cl.** **D23/367; D23/366; D7/511**

(58) **Field of Search** **D23/366-369;**
239/60, 57, 53, 54, 34, 58, 59, 211; D7/510,
511, 523; 422/305, 120; 261/DIG. 65

FIG. 1 is a top front perspective view of an air freshener;
and,

FIG. 2 is a top back perspective view thereof.

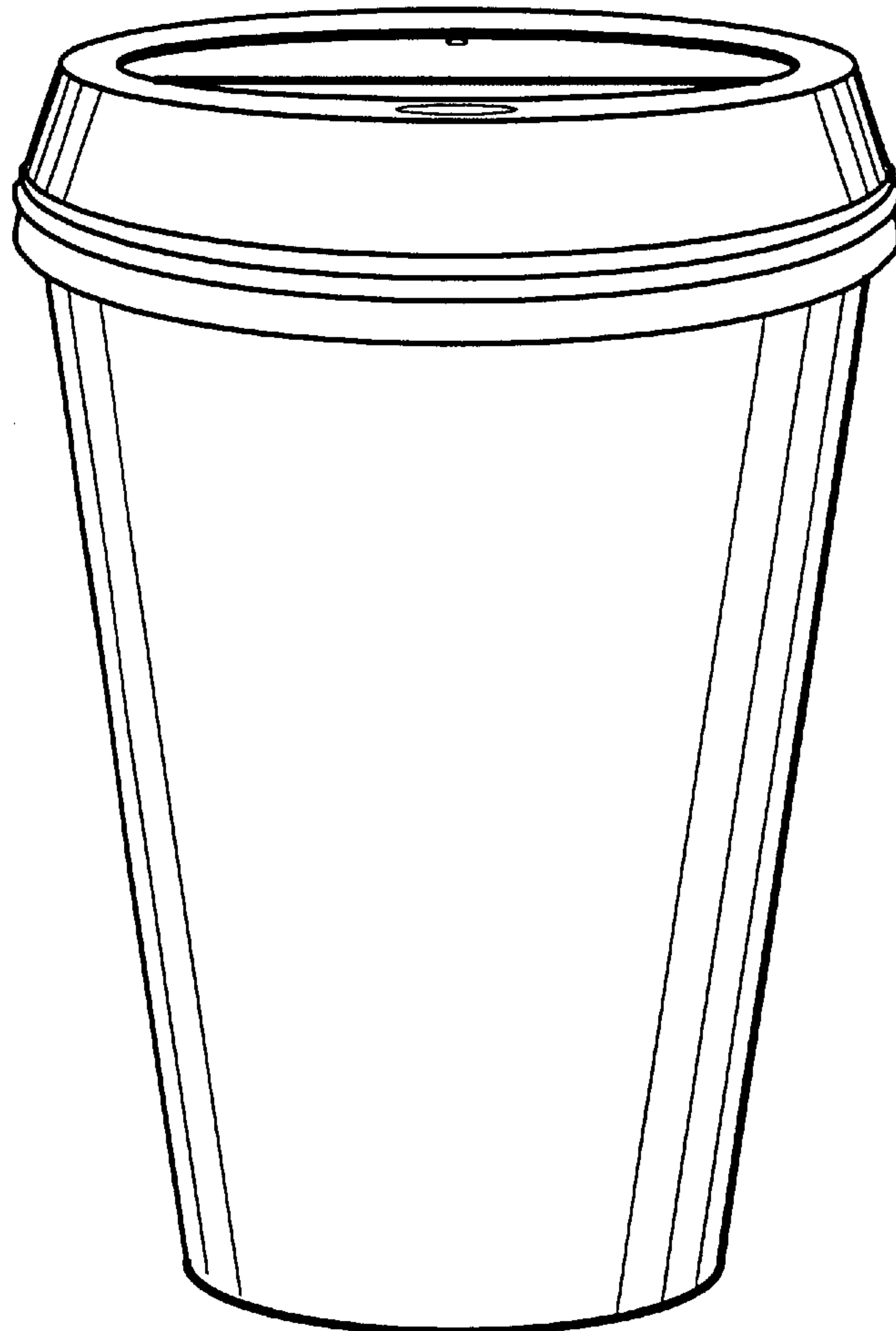
The surface(s) or portion(s) of the article not shown in the
drawing or described in the specification form(s) no part of
the claimed design.

(56) **References Cited**

U.S. PATENT DOCUMENTS

D. 283,677 * 5/1986 Fortuna et al. D7/511

1 Claim, 1 Drawing Sheet



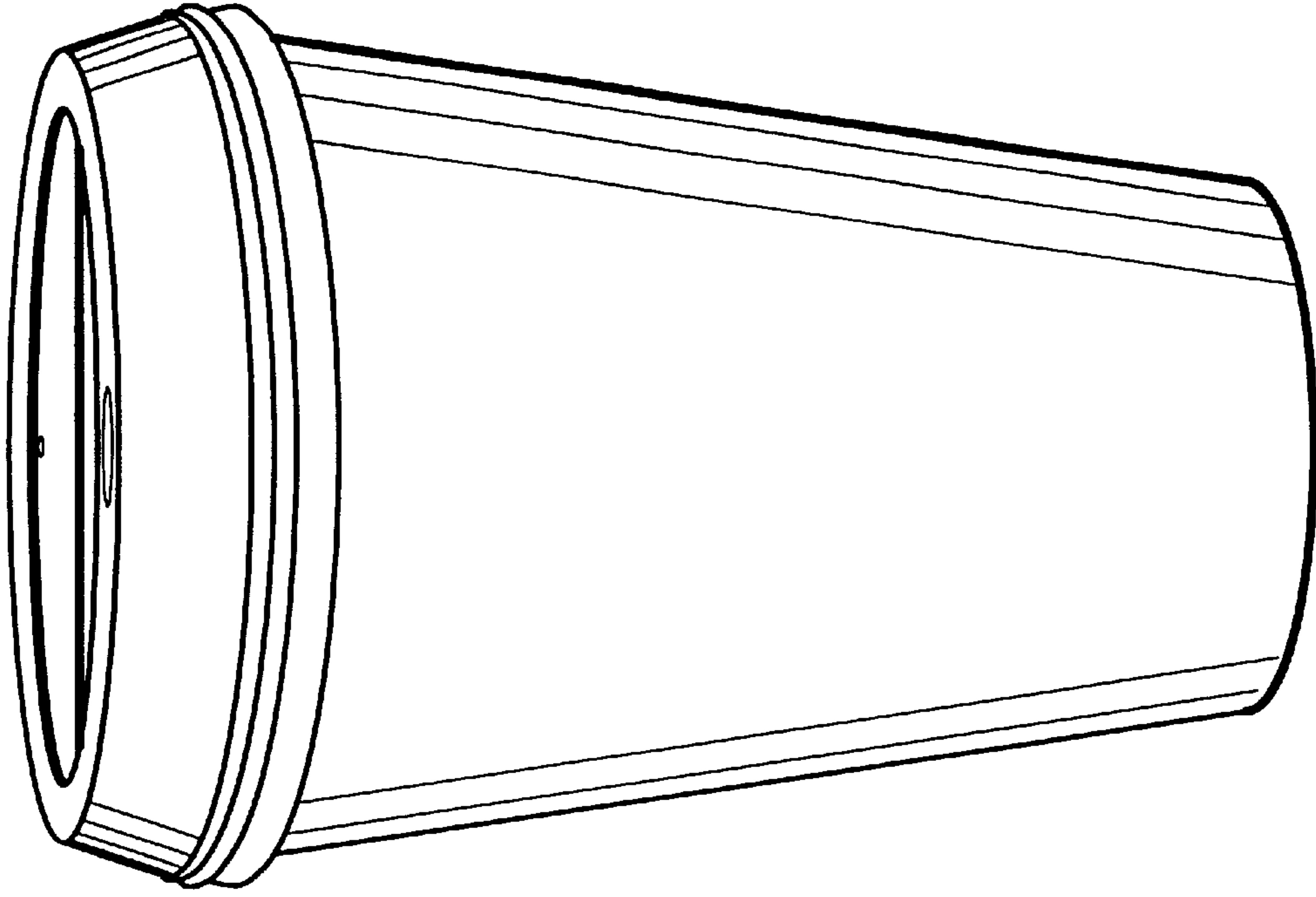


Fig. 2

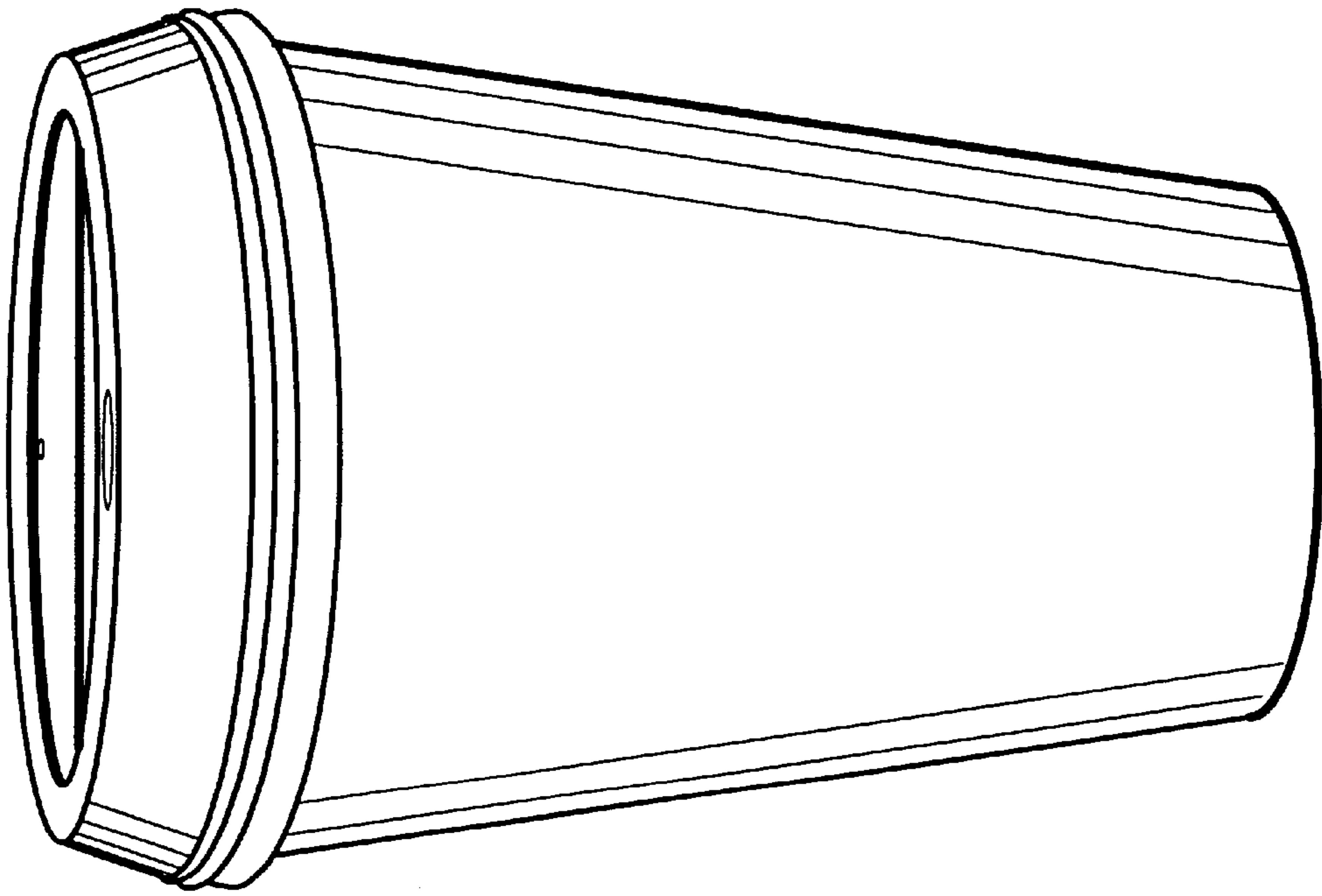


Fig. 1