



US00D438296S

(12) **United States Design Patent** (10) **Patent No.:** **US D438,296 S**  
**Krauss** (45) **Date of Patent:** **\*\* Feb. 27, 2001**

(54) **HUMIDIFIER**

(75) Inventor: **Kevin Michael Krauss**, Belmont, MA (US)

(73) Assignee: **The Holmes Group, Inc.**, Milford, MA (US)

(\*\*) Term: **14 Years**

(21) Appl. No.: **29/127,461**

(22) Filed: **Aug. 7, 2000**

(51) **LOC (7) Cl.** ..... **23-04**

(52) **U.S. Cl.** ..... **D23/356**

(58) **Field of Search** ..... D23/356-363;  
261/104, 107

(56) **References Cited**

**U.S. PATENT DOCUMENTS**

D. 306,063	2/1990	Chiu et al. .
6,053,482	4/2000	Glenn et al. .

**OTHER PUBLICATIONS**

Holmes Warm Mist Humidifier, HM-5125, Copyright © 1998 Holmes Products Corp.  
 Holmes Cool Mist Humidifier, HM-2059, Copyright ©1999 Holmes Products Corp.  
 Holmes Cool Mist Humidifier, HM-1745, Copyright © 1998 Holmes Products Corp.

Holmes Cool Mist Humidifier, HM-1730 and HM-1750, Copyright ©1998 Holmes Products Corp.

Holmes Accuset™ Cool Mist Humidifier, HM-1855, Copyright ©1999 Holmes Products Corp.

Holmes Cool Mist Humidifier, HM-1845, Copyright © 1999 Holmes Products Corp.

*Primary Examiner*—Lisa Lichtenstein

(74) *Attorney, Agent, or Firm*—Hoffmann & Baron, LLP; Francis E. Marino

(57) **CLAIM**

The ornamental design for a humidifier, as shown and described.

**DESCRIPTION**

FIG. 1 is a front perspective view of a humidifier showing my new design;

FIG. 2 is a top plan view thereof;

FIG. 3 is a front elevation view thereof, on a reduced scale;

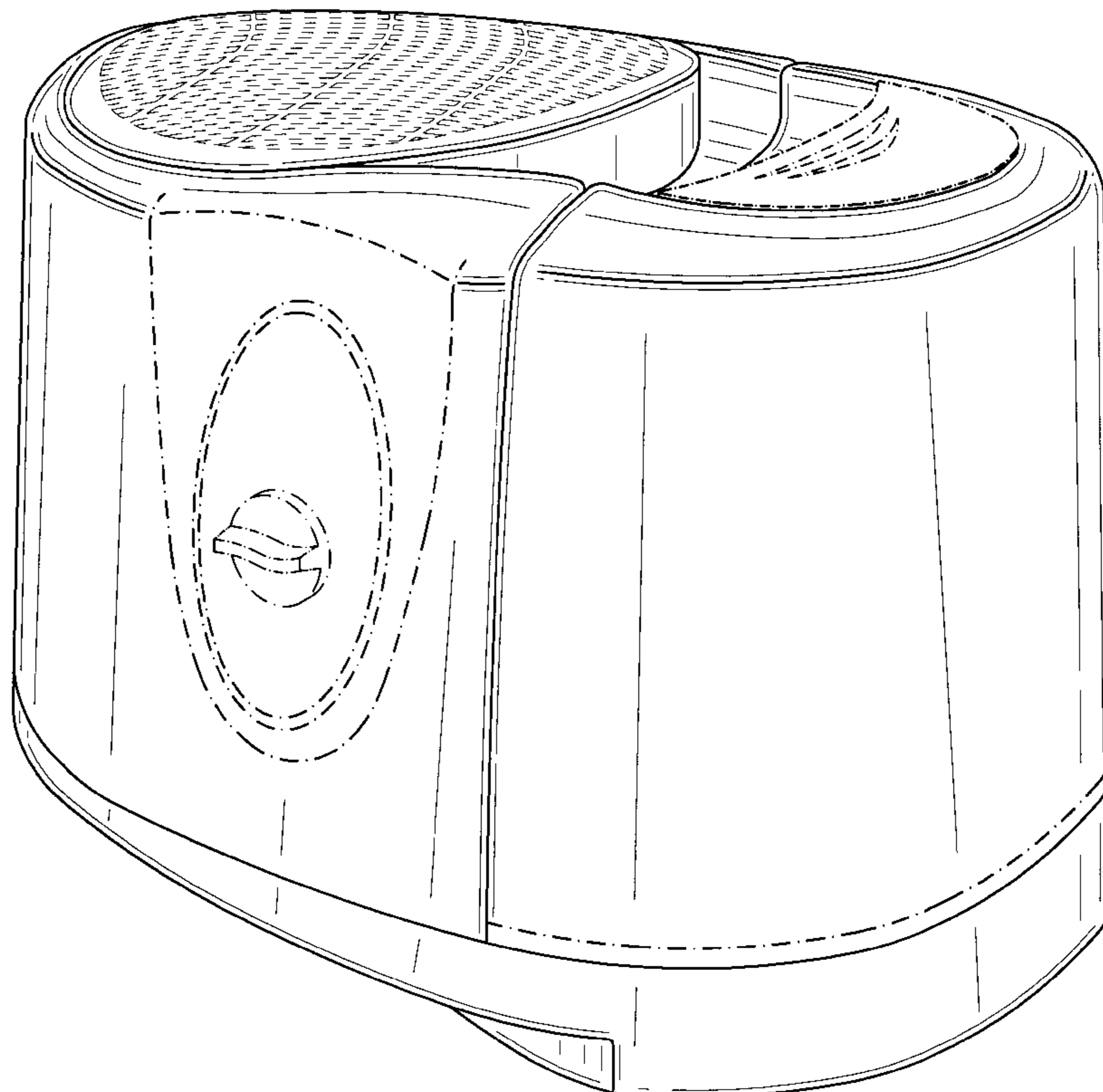
FIG. 4 is a left side elevation view thereof, on a reduced scale;

FIG. 5 is a right side elevation view thereof, on a reduced scale; and,

FIG. 6 is a rear elevation view thereof, on a reduced scale.

The bottom view (not shown) forms no part of the claimed design. The subject matter shown in broken lines forms no part of the claimed design.

**1 Claim, 6 Drawing Sheets**



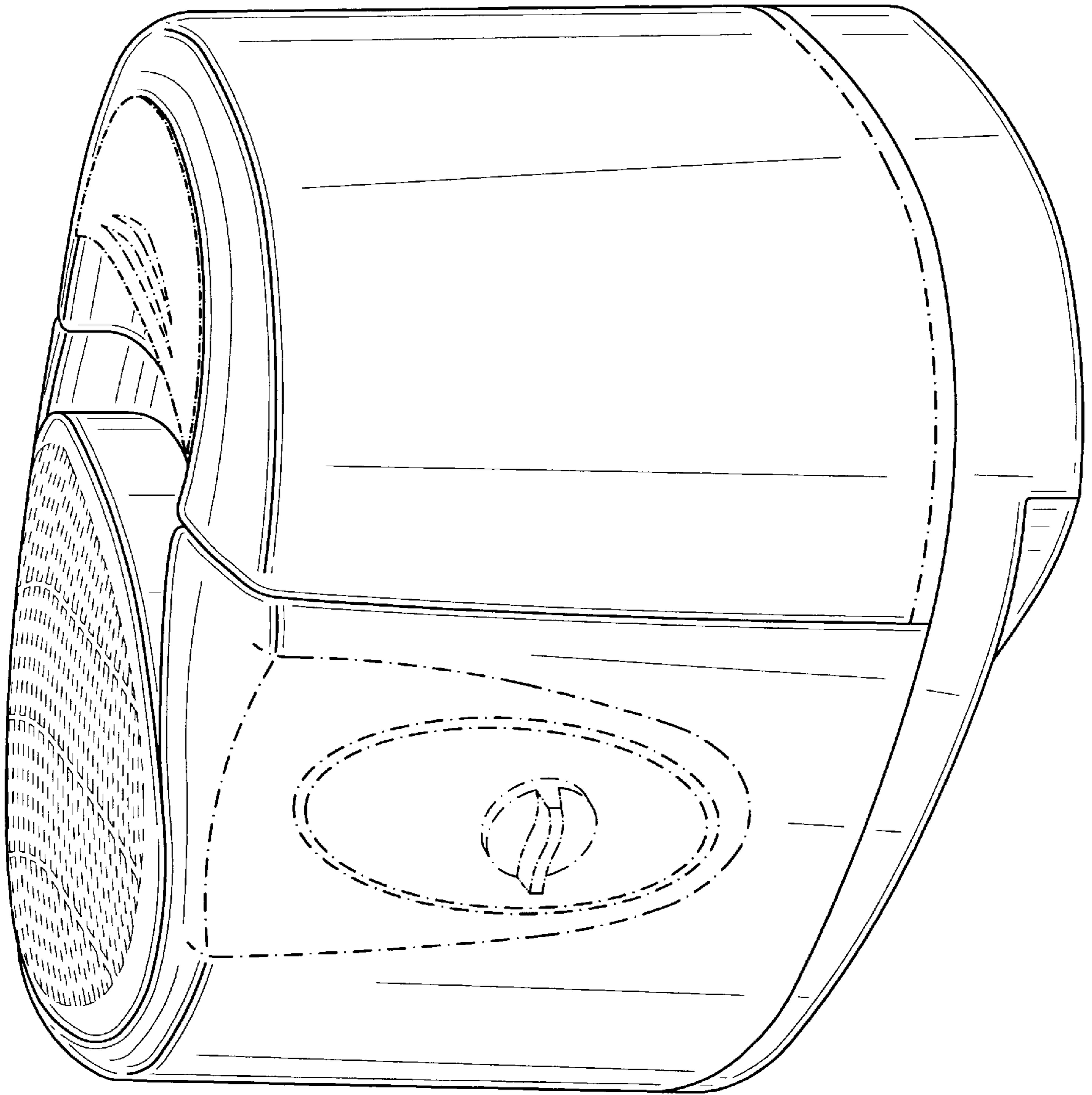


FIG. 1

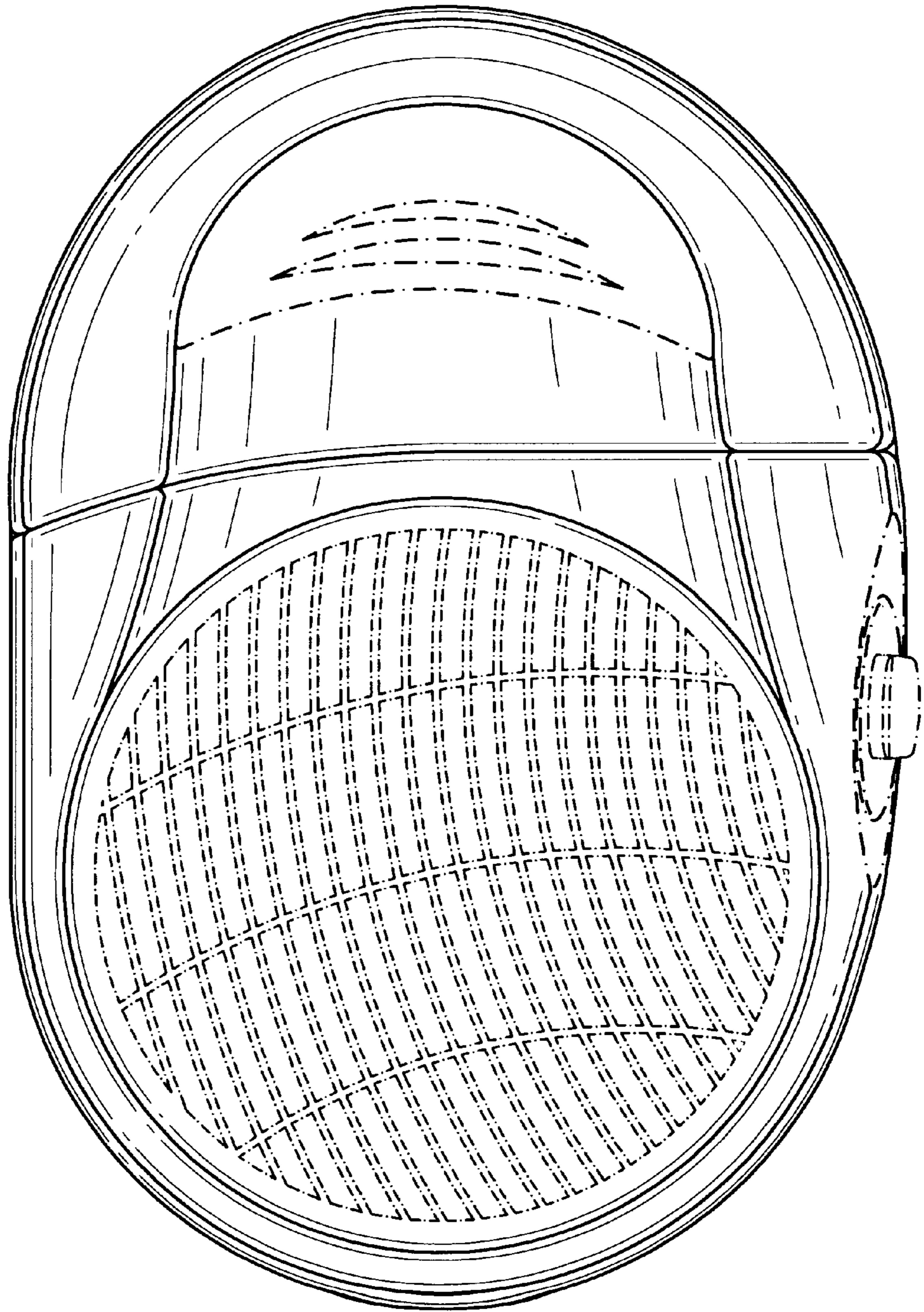


FIG. 2

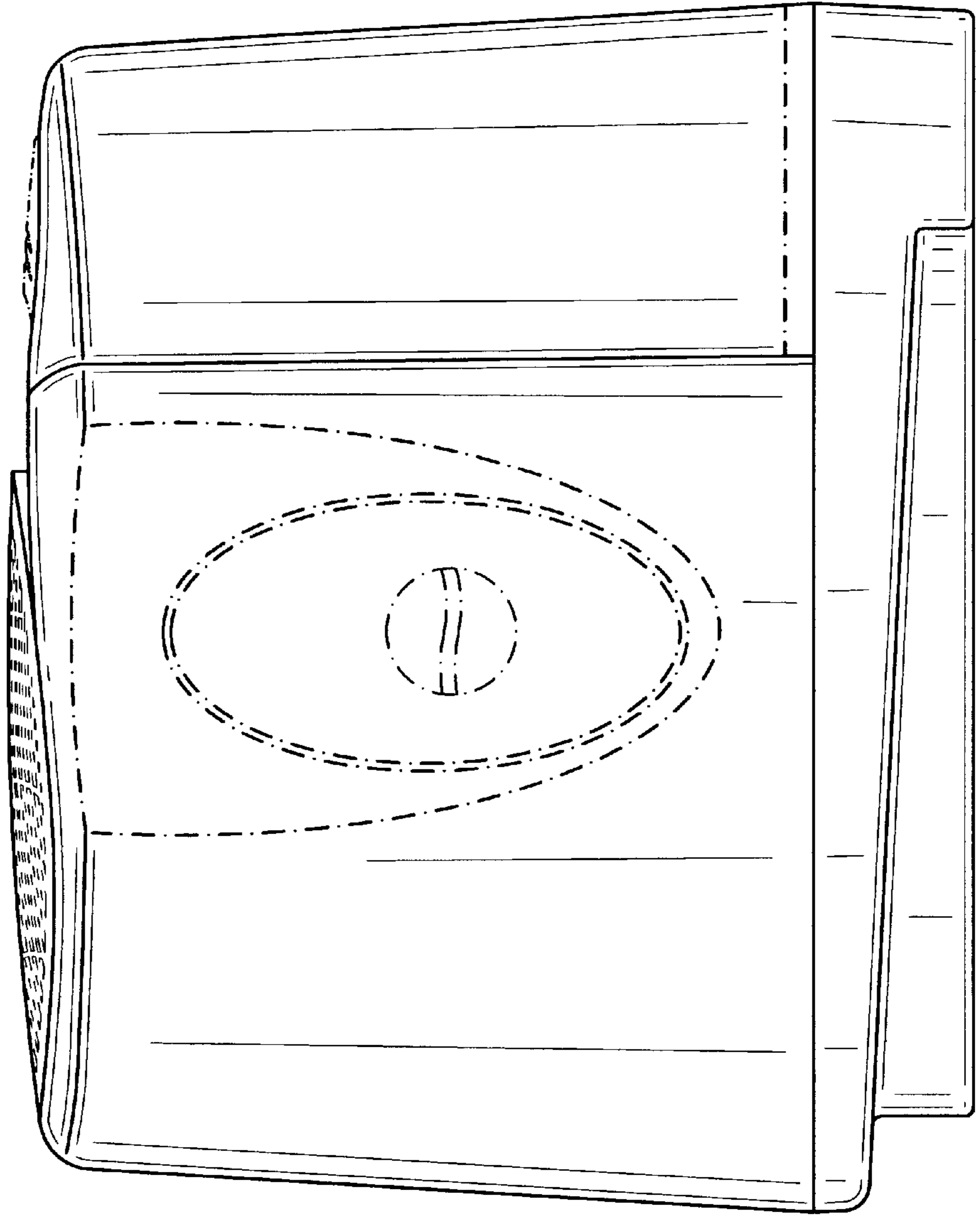


FIG. 3

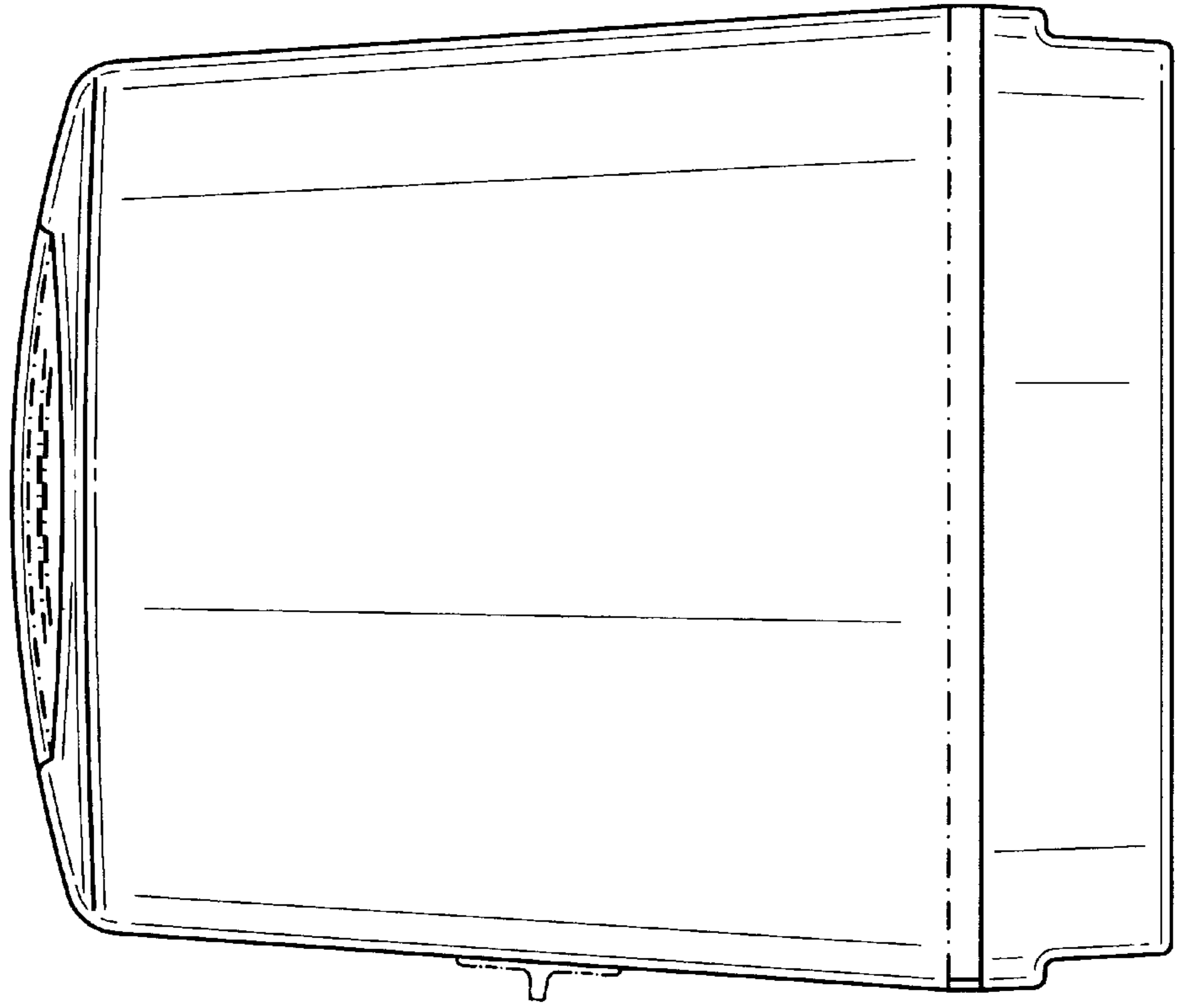


FIG. 4

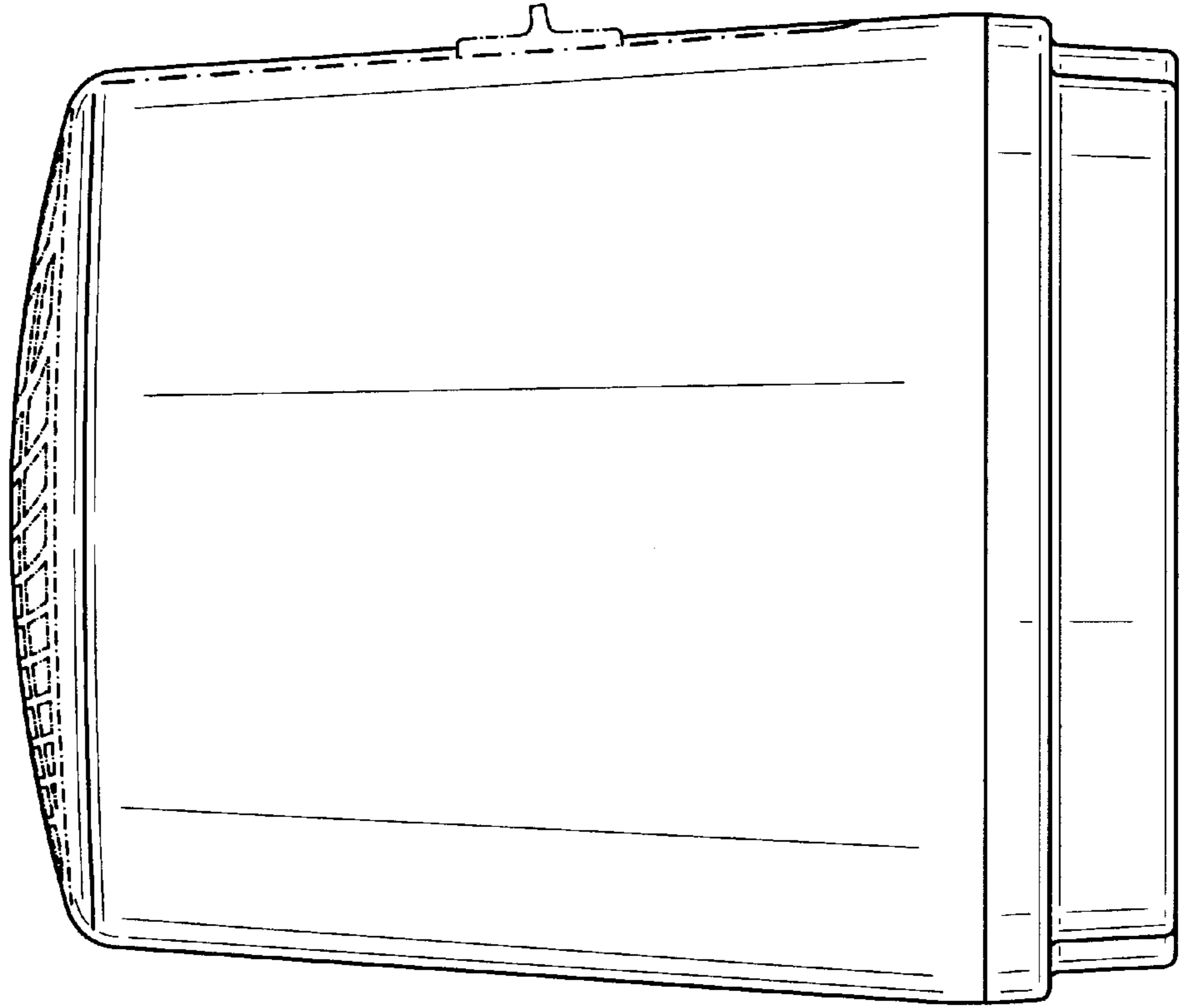


FIG. 5

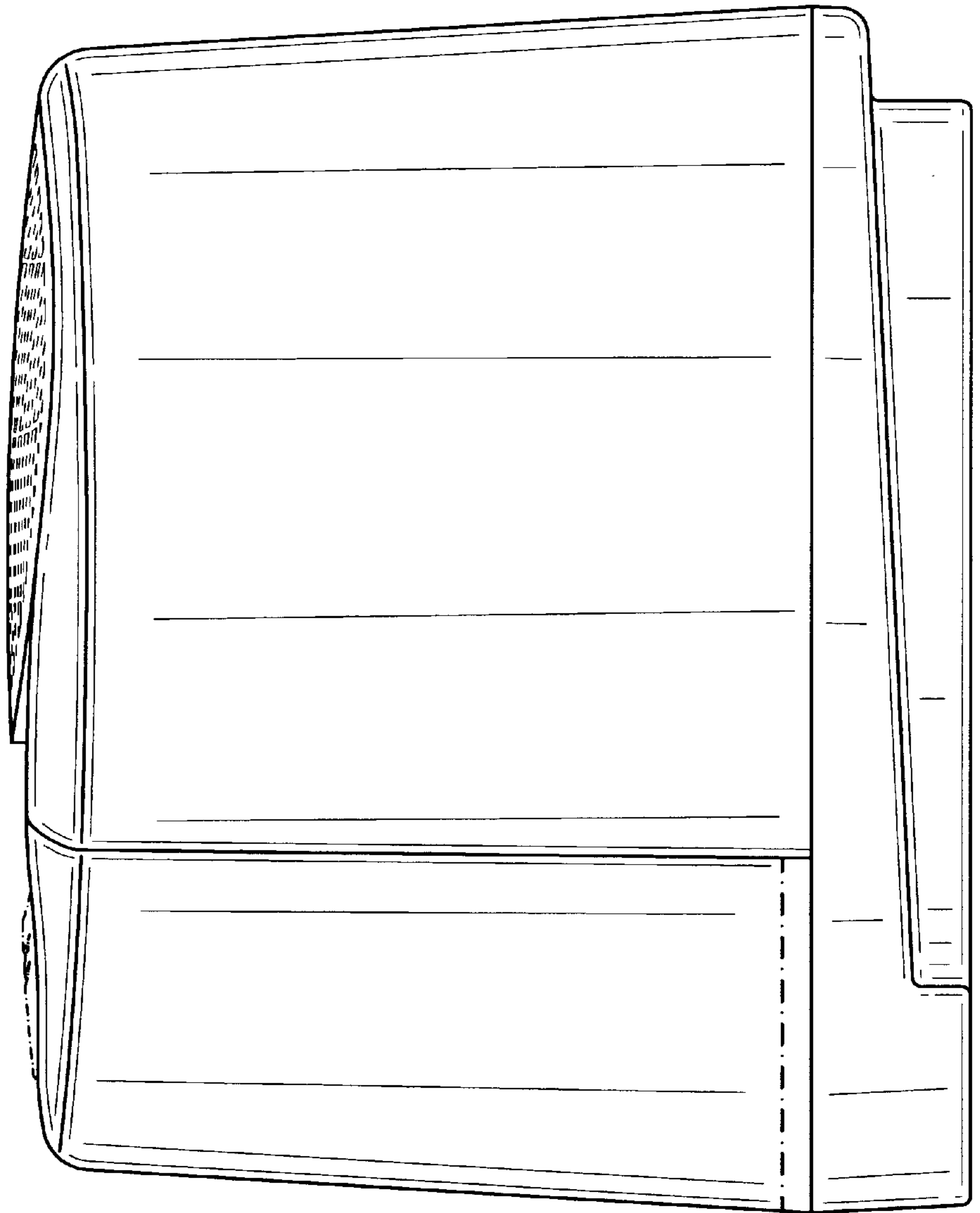


FIG. 6