



US00D438288S

(12) **United States Design Patent**  
**Mark et al.**

(10) **Patent No.:** **US D438,288 S**

(45) **Date of Patent:** **\*\* Feb. 27, 2001**

(54) **FAUCET**

(75) **Inventors:** **Darren M. Mark**, Valencia; **Jerome F. Czerwinski, Jr.**, Long Beach; **Alvin Tolosa**, Ventura, all of CA (US)

(73) **Assignee:** **Emhart Inc.**, Newark, DE (US)

(\*) **Notice:** This patent is subject to a terminal disclaimer.

(\*\*) **Term:** **14 Years**

(21) **Appl. No.:** **29/120,597**

(22) **Filed:** **Mar. 22, 2000**

(51) **LOC (7) Cl.** ..... **23-01**

(52) **U.S. Cl.** ..... **D23/242; D23/238**

(58) **Field of Search** ..... **D23/238-243, D23/250-257; 4/675-678; 137/801**

(56) **References Cited**

**U.S. PATENT DOCUMENTS**

- D. 200,622 3/1965 Whitener, Jr. .
- D. 280,010 8/1985 Miller .
- D. 287,747 1/1987 Miller .
- D. 295,551 5/1988 Yost .
- D. 314,813 2/1991 Jans .
- D. 318,906 8/1991 Spangler .
- D. 323,375 1/1992 Razumov .
- D. 352,095 11/1994 Bollenbacher .
- D. 363,536 10/1995 Hill .
- D. 364,215 11/1995 Starck .
- D. 364,220 11/1995 Hill .
- D. 366,517 1/1996 Doughty .
- D. 374,478 10/1996 Doughty .
- D. 375,542 11/1996 Doughty .
- D. 377,517 1/1997 Doughty .
- D. 387,133 12/1997 Donahue .
- D. 398,963 9/1998 Donahue .

- D. 406,323 3/1999 Snyder .
- D. 412,027 7/1999 Lord .
- D. 416,610 11/1999 Lord .
- D. 418,580 1/2000 Warshawsky .
- D. 418,581 1/2000 Warshawsky .
- D. 419,222 1/2000 Lord .
- D. 420,726 2/2000 Slothower .
- D. 421,486 \* 3/2000 Slothower et al. .... D23/255
- 5,073,991 12/1991 Marty .
- 5,758,690 6/1998 Humpert .

**FOREIGN PATENT DOCUMENTS**

0479261A1 4/1992 (EP) .

\* cited by examiner

*Primary Examiner*—Louis S. Zarfes

*Assistant Examiner*—Gregory Andoll

(74) *Attorney, Agent, or Firm*—Edward D. Murphy; John D. Del Ponti

(57) **CLAIM**

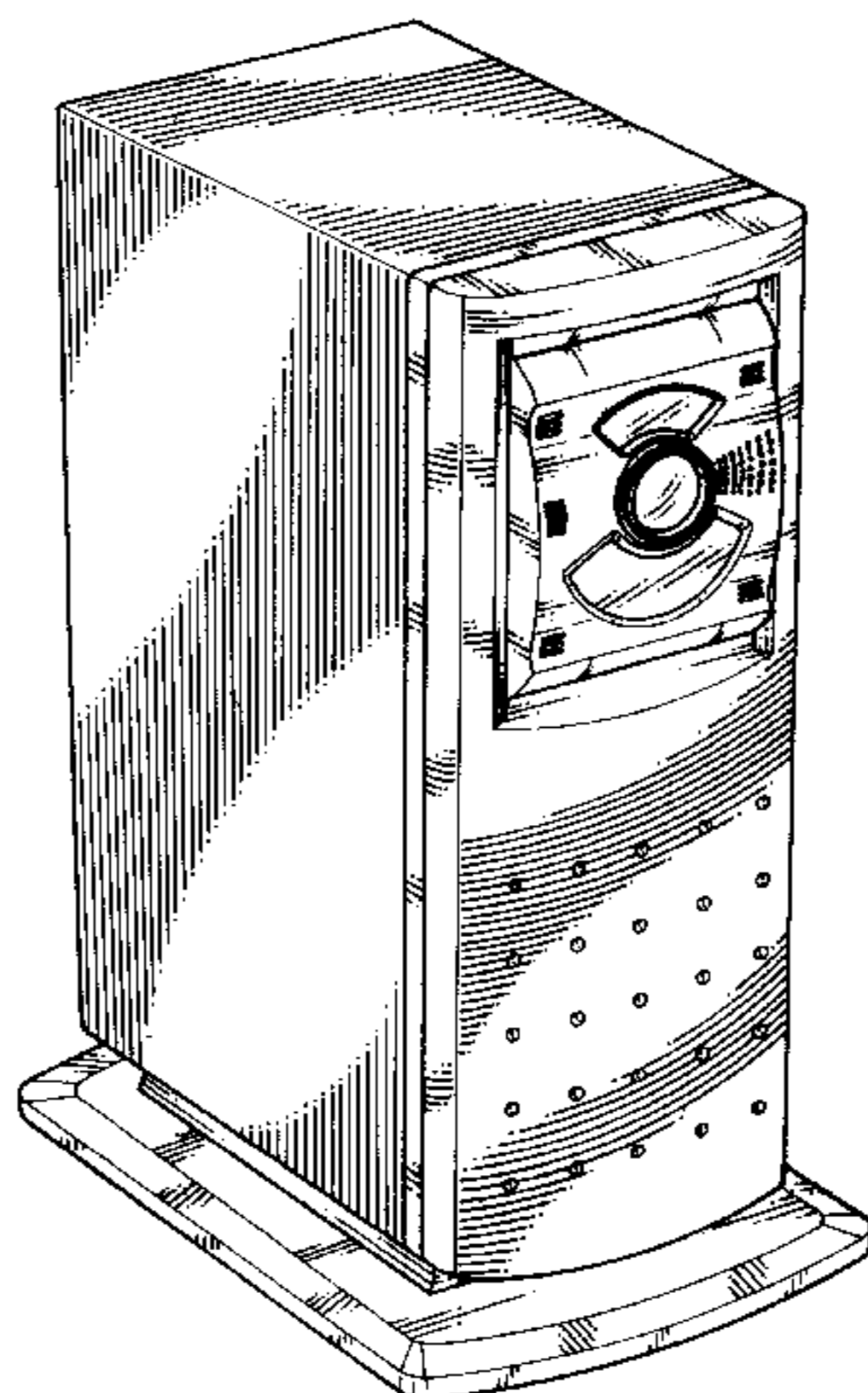
The ornamental design for a faucet, as shown and described.

**DESCRIPTION**

FIG. 1 is a perspective view of the new design for a faucet; FIG. 2 is a front elevational view of the new design for a faucet; FIG. 3 is a rear elevational view of the new design for a faucet; FIG. 4 is a left side elevational view of the new design for a faucet; FIG. 5 is a right side elevational view of the new design for a faucet; FIG. 6 is a top plan view of the new design for a faucet; and, FIG. 7 is a bottom plan view of the new design for a faucet. The broken lines in the Figures are for illustrative purposes only and form no part of the claimed design.

**1 Claim, 7 Drawing Sheets**

**FIG. 1**



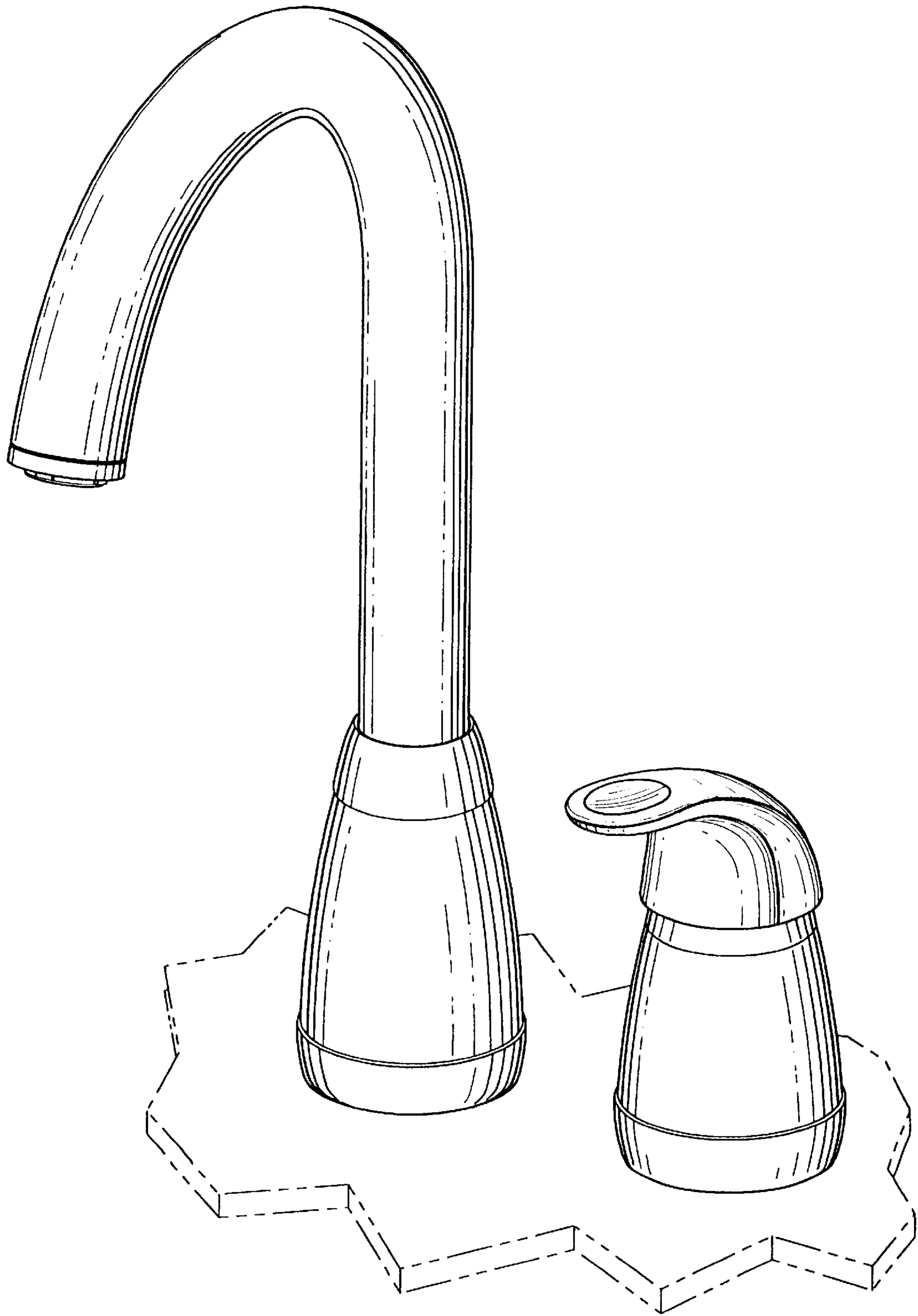


FIG. 1

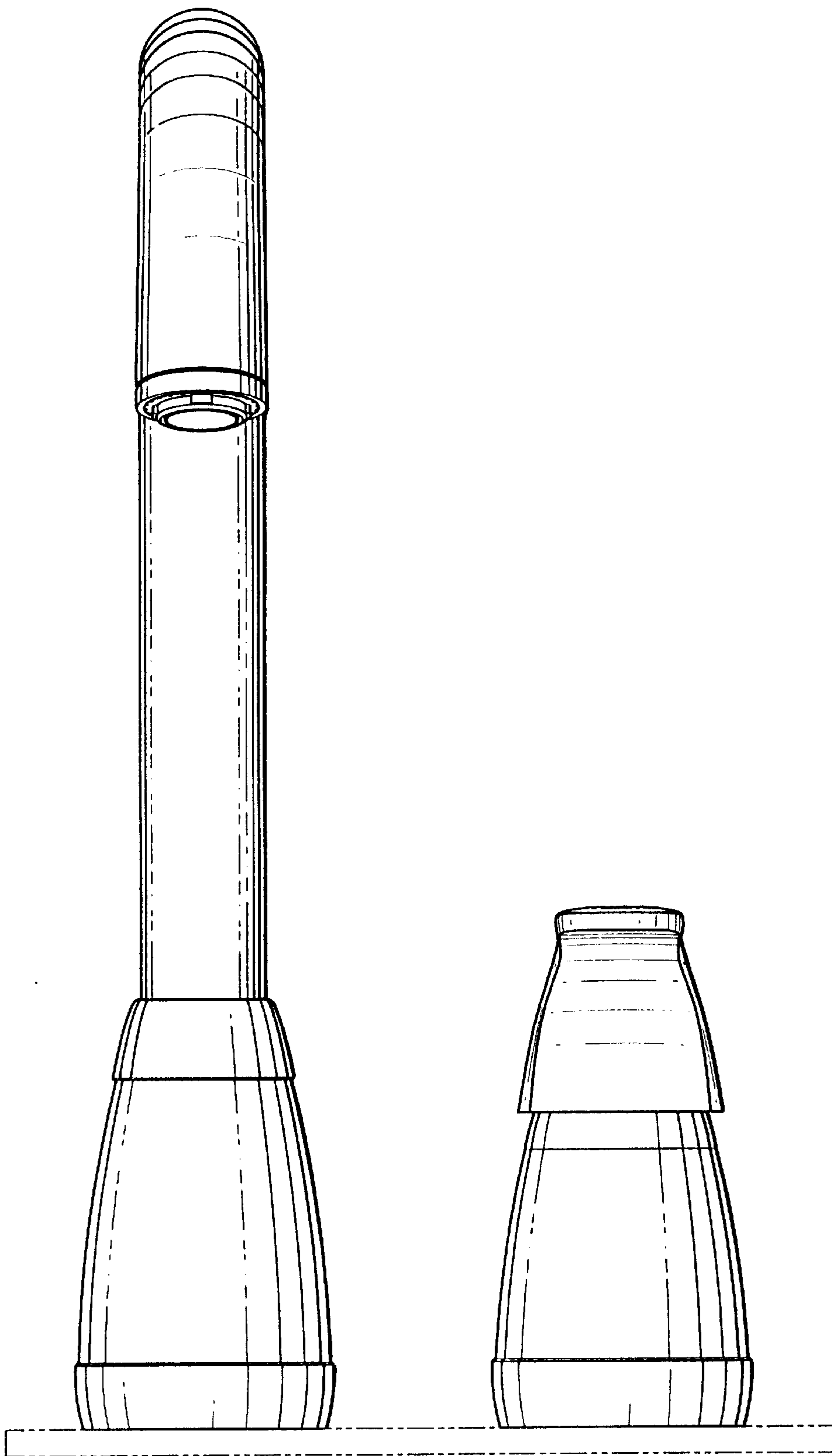


FIG. 2

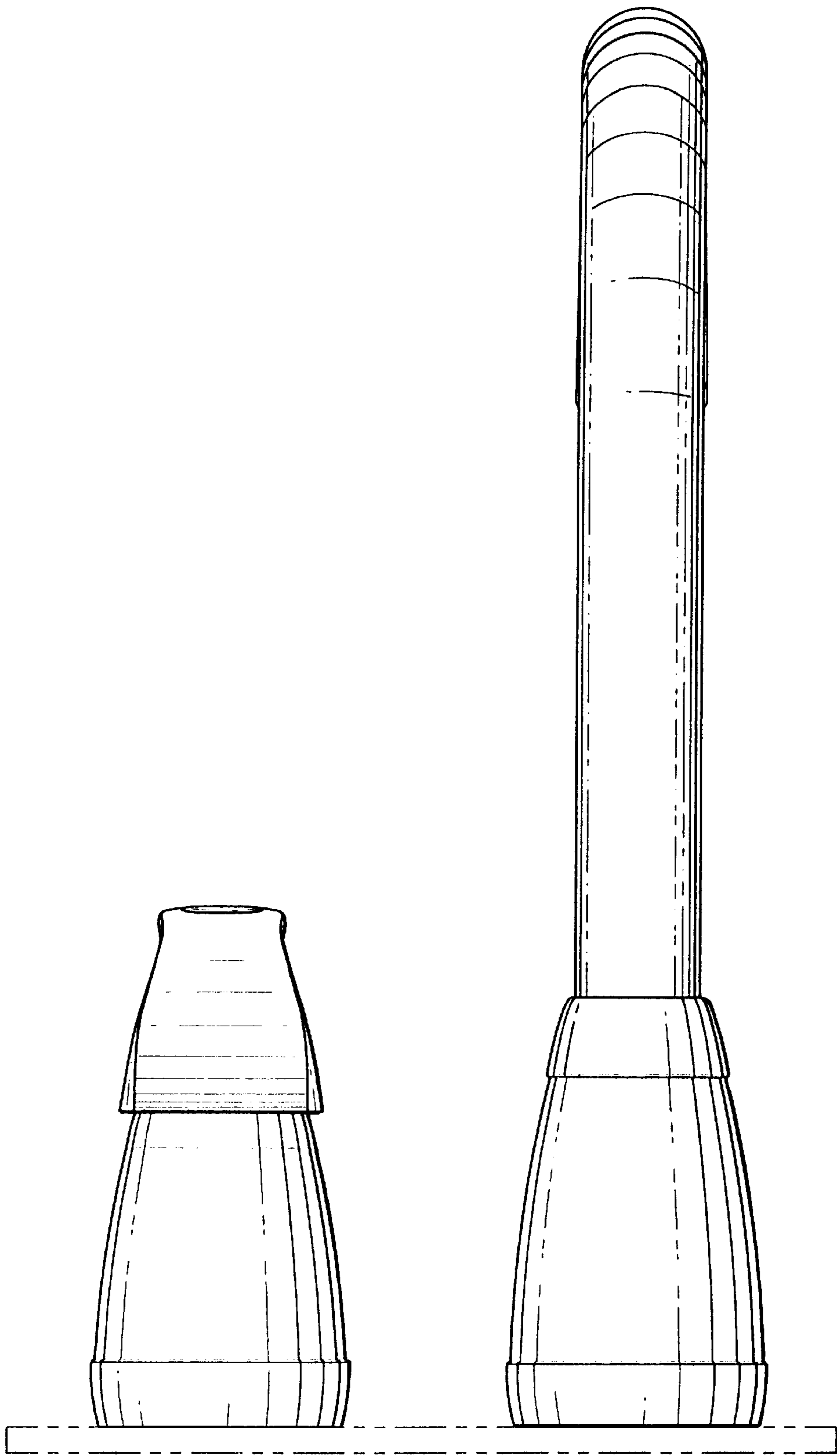


FIG. 3

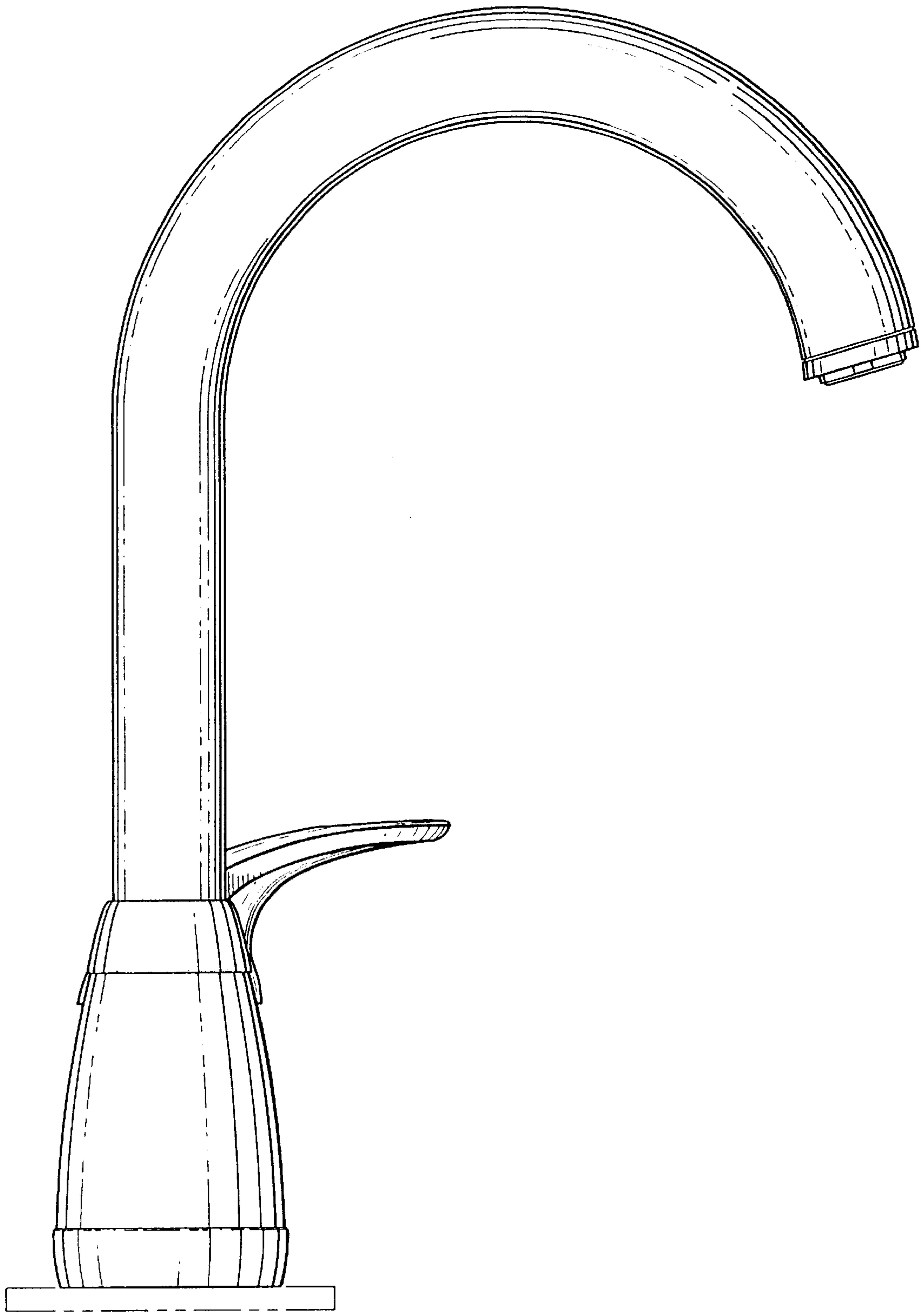


FIG. 4

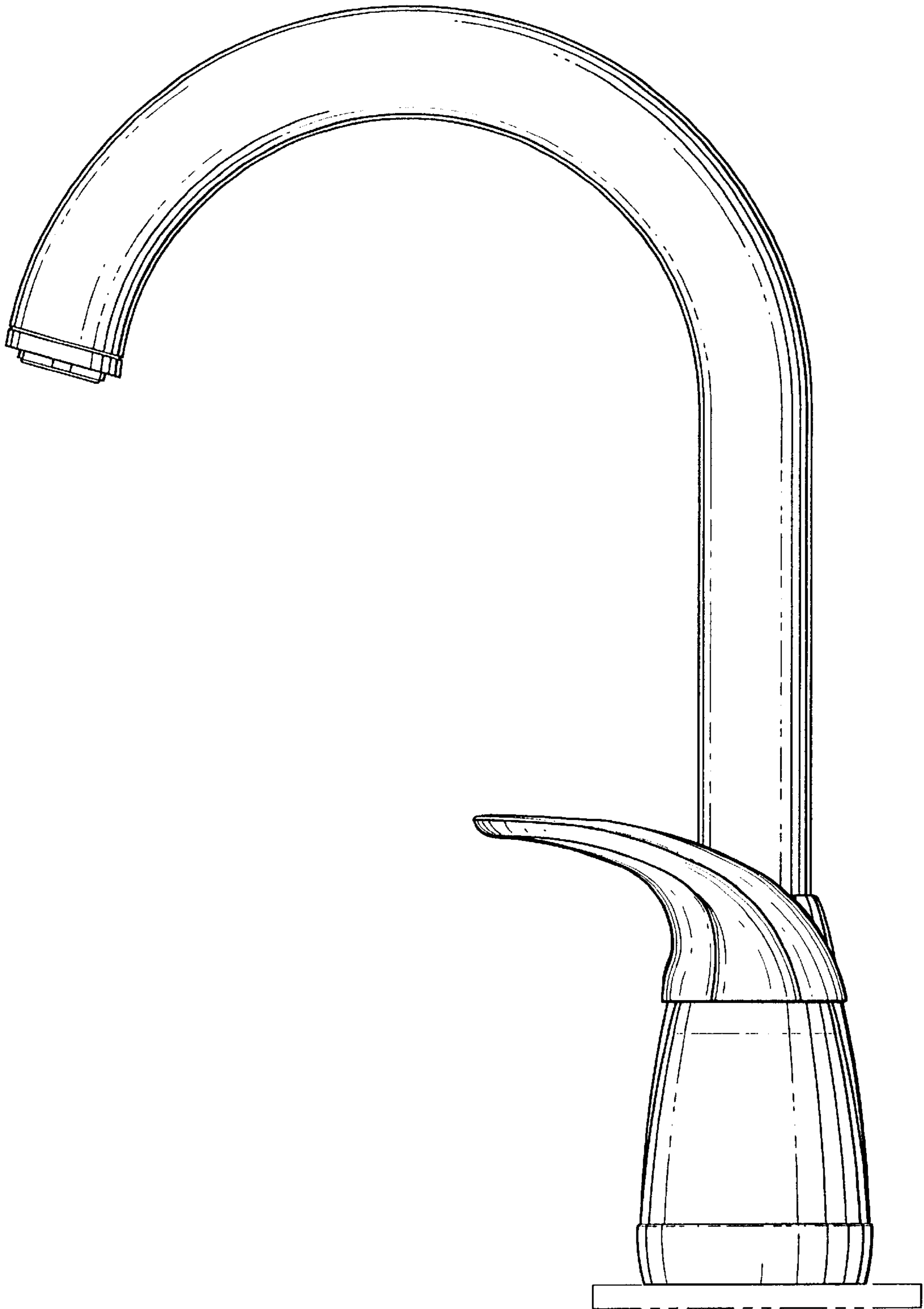


FIG. 5

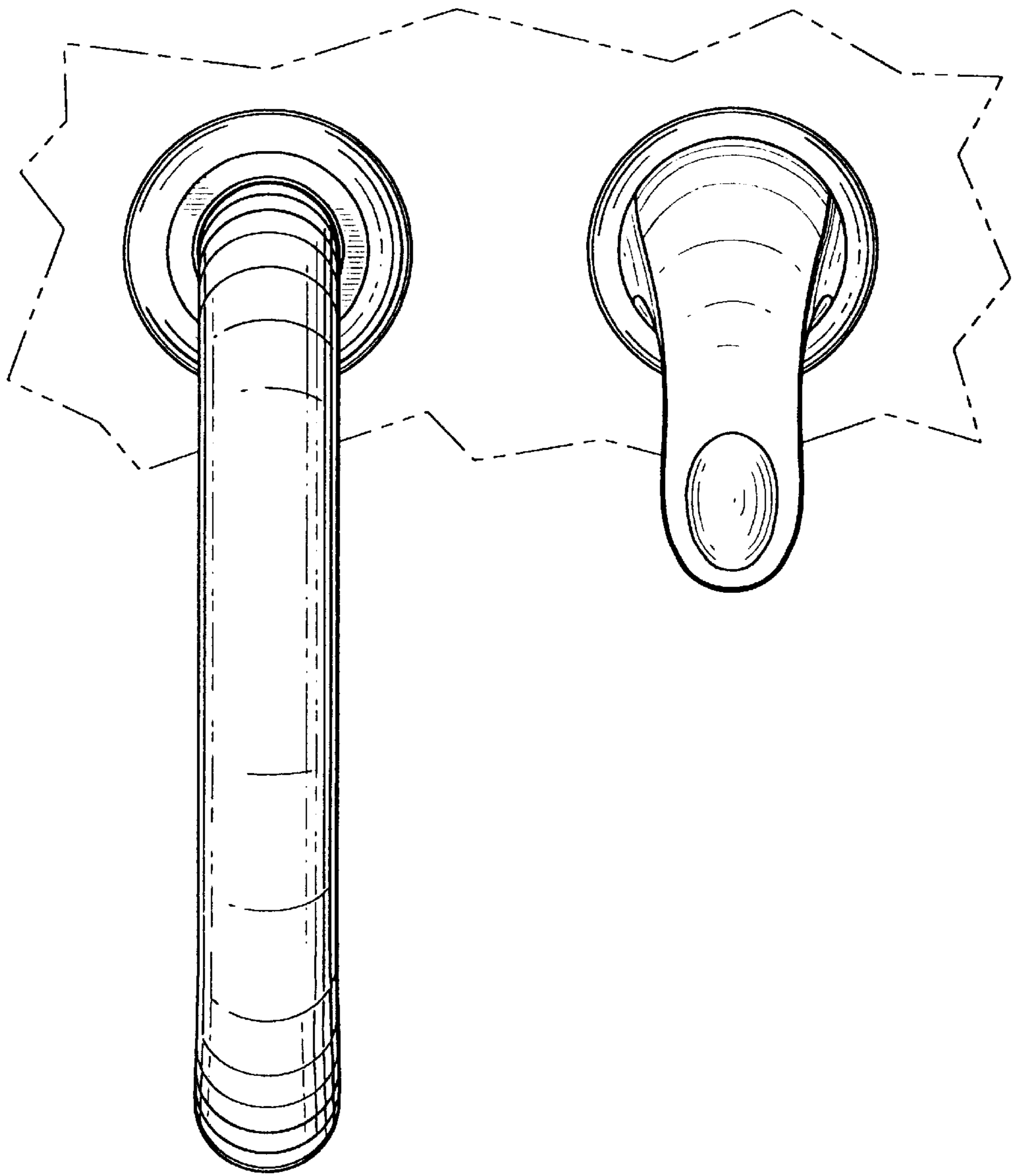


FIG. 6

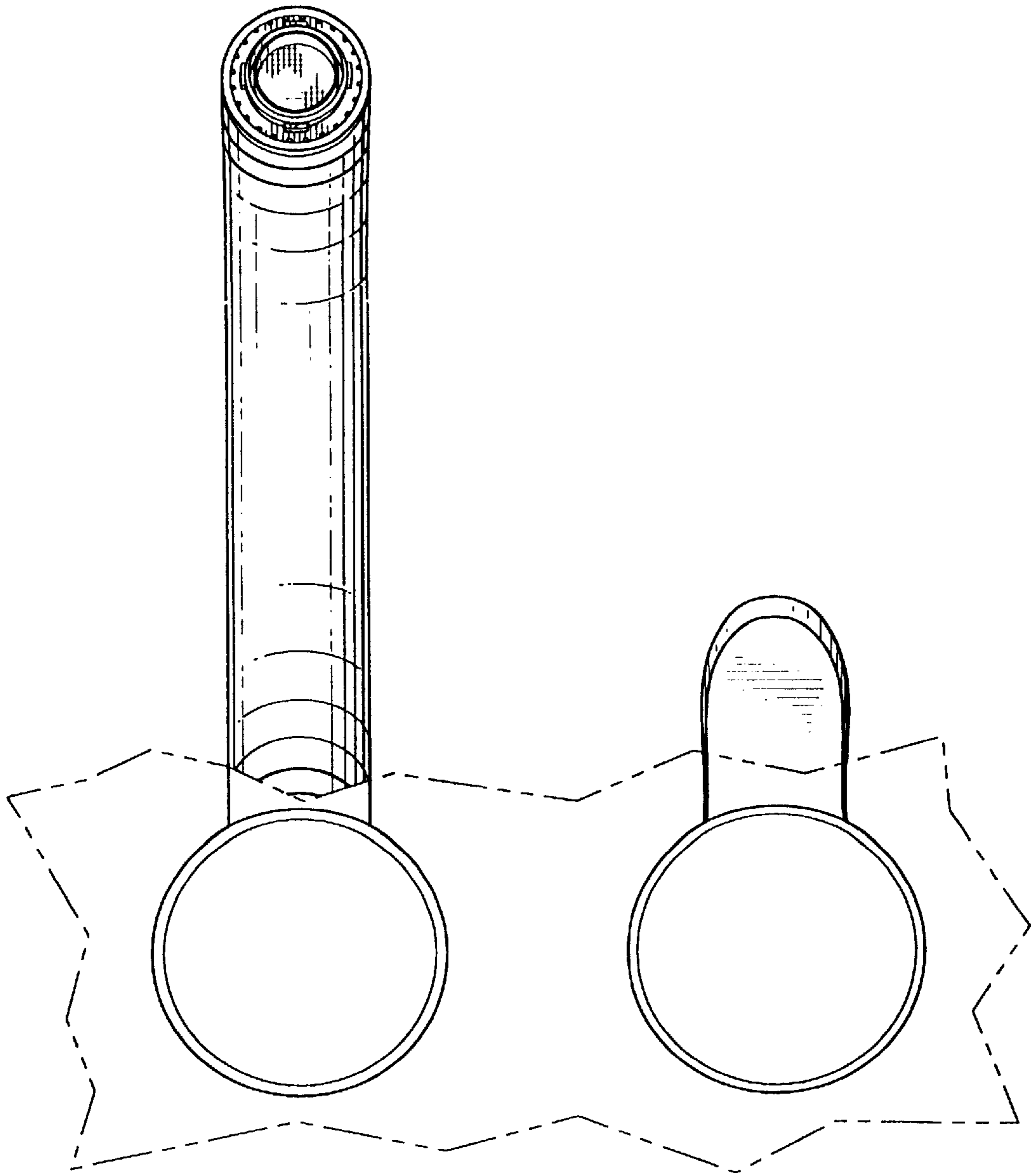


FIG. 7



UNITED STATES PATENT AND TRADEMARK OFFICE  
**CERTIFICATE OF CORRECTION**

PATENT NO. : Des. 438, 288 S  
DATED : February 27, 2001  
INVENTOR(S) : Darren M. Mark et al.

Page 1 of 2

It is certified that error appears in the above-identified patent and that said Letters Patent is hereby corrected as shown below:

Title page,

The title page should be deleted to appear as per attached title page.

Signed and Sealed this

Twenty-fifth Day of February, 2003

A handwritten signature in black ink, appearing to read "James E. Rogan", written over a horizontal line.

JAMES E. ROGAN  
*Director of the United States Patent and Trademark Office*

(12) **United States Design Patent** (10) **Patent No.:** **US D438,288 S**  
**Mark et al.** (45) **Date of Patent:** **\*\* Feb. 27, 2001**

(54) **FAUCET**

(75) **Inventors:** **Darren M. Mark**, Valencia; **Jerome F. Czerwinski, Jr.**, Long Beach; **Alvin Tolosa**, Ventura, all of CA (US)

(73) **Assignee:** **Emhart Inc.**, Newark, DE (US)

(\* ) **Notice:** This patent is subject to a terminal disclaimer.

(\*\*) **Term:** **14 Years**

(21) **Appl. No.:** **29/120,597**

(22) **Filed:** **Mar. 22, 2000**

(51) **LOC (7) Cl.** ..... **23-01**

(52) **U.S. Cl.** ..... **D23/242; D23/238**

(58) **Field of Search** ..... **D23/238-243, D23/250-257; 4/675-678; 137/801**

(56) **References Cited**

**U.S. PATENT DOCUMENTS**

D. 200,622 3/1965 Whitener, Jr. .  
D. 280,010 8/1985 Miller .  
D. 287,747 1/1987 Miller .  
D. 295,551 5/1988 Yost .  
D. 314,813 2/1991 Jans .  
D. 318,906 8/1991 Spangler .  
D. 323,375 1/1992 Razumov .  
D. 352,095 11/1994 Bollenbacher .  
D. 363,536 10/1995 Hill .  
D. 364,215 11/1995 Starck .  
D. 364,220 11/1995 Hill .  
D. 366,517 1/1996 Doughty .  
D. 374,478 10/1996 Doughty .  
D. 375,542 11/1996 Doughty .  
D. 377,517 1/1997 Doughty .  
D. 387,133 12/1997 Donahue .  
D. 398,963 9/1998 Donahue .

D. 406,323 3/1999 Snyder .  
D. 412,027 7/1999 Lord .  
D. 416,610 11/1999 Lord .  
D. 418,580 1/2000 Warshawsky .  
D. 418,581 1/2000 Warshawsky .  
D. 419,222 1/2000 Lord .  
D. 420,726 2/2000 Slothower .  
D. 421,486 \* 3/2000 Slothower et al. .... D23/255  
5,073,991 12/1991 Marty .  
5,758,690 6/1998 Humpert .

**FOREIGN PATENT DOCUMENTS**

0479261A1 4/1992 (EP) .

\* cited by examiner

*Primary Examiner*—Louis S. Zarfaz

*Assistant Examiner*—Gregory Andoll

(74) *Attorney, Agent, or Firm*—Edward D. Murphy; John D. Del Ponti

(57) **CLAIM**

The ornamental design for a faucet, as shown and described.

**DESCRIPTION**

FIG. 1 is a perspective view of the new design for a faucet; FIG. 2 is a front elevational view of the new design for a faucet; FIG. 3 is a rear elevational view of the new design for a faucet; FIG. 4 is a left side elevational view of the new design for a faucet; FIG. 5 is a right side elevational view of the new design for a faucet; FIG. 6 is a top plan view of the new design for a faucet; and, FIG. 7 is a bottom plan view of the new design for a faucet. The broken lines in the Figures are for illustrative purposes only and form no part of the claimed design.

**1 Claim, 7 Drawing Sheets**

