



US00D438284S

(12) **United States Design Patent**
King et al.

(10) **Patent No.:** **US D438,284 S**

(45) **Date of Patent:** **** Feb. 27, 2001**

- (54) **SPRINKLER BASE**
- (75) Inventors: **Courtney A. King**, Ypsilanti, MI (US);
Keechang Han, Shanghai (CN)
- (73) Assignee: **Bird Brain, Inc.**, Ypsilanti, MI (US)
- (**) Term: **14 Years**
- (21) Appl. No.: **29/119,674**
- (22) Filed: **Mar. 3, 2000**
- (51) **LOC (7) Cl.** **23-01**
- (52) **U.S. Cl.** **D23/221; D23/214**
- (58) **Field of Search** **D23/213, 214,**
D23/221; 239/273, 276, 279

- 4,944,476 7/1990 Olson .
- 5,224,652 7/1993 Kessler .
- 6,015,098 1/2000 Krueger .

OTHER PUBLICATIONS

Garden Art et al, "Terra Spike" advertisement, 1998.
 Smith & York, "Durable double prong metal stakes" advertisement, 1998.
 Echo Valley, "Waterscapes" advertisement, *Garden Center Magazine*, Mar., 2000.

* cited by examiner

Primary Examiner—Robin V. Taylor
 (74) *Attorney, Agent, or Firm*—Young & Basile

(57) **CLAIM**

The ornamental design for a sprinkler base, as shown and described.

(56) **References Cited**

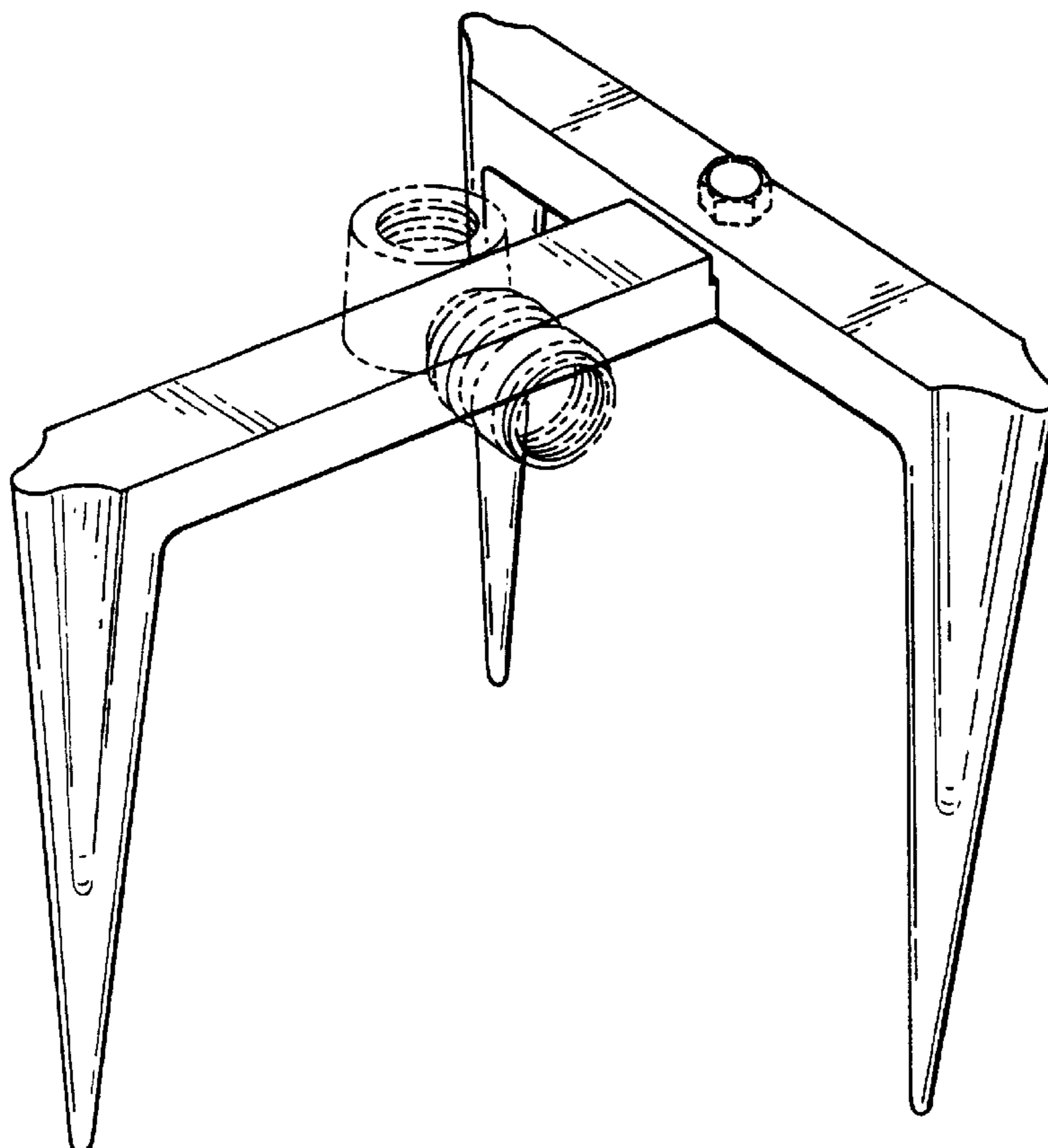
U.S. PATENT DOCUMENTS

- D. 163,470 * 5/1951 Nelson D23/221
- D. 243,239 * 2/1977 Hutton et al. D23/221
- D. 284,785 7/1986 Lemkin et al. .
- D. 302,458 7/1989 Locklair .
- D. 321,746 11/1991 Cockman .
- D. 326,502 * 5/1992 Arnold D23/221
- D. 412,964 8/1999 Krueger .
- 515,624 2/1894 Stott .
- 2,084,817 6/1937 Lombard .
- 2,979,272 4/1961 Thorrez .
- 3,385,525 5/1968 Jacobs .

DESCRIPTION

FIG. 1 is a perspective view of a sprinkler base according to the invention;
 FIG. 2 is a left side elevational view thereof;
 FIG. 3 is a top plan view thereof;
 FIG. 4 is front elevational view thereof;
 FIG. 5 is a rear elevational view thereof;
 FIG. 6 is a right side elevational view thereof; and,
 FIG. 7 is a bottom plan view thereof.

1 Claim, 4 Drawing Sheets



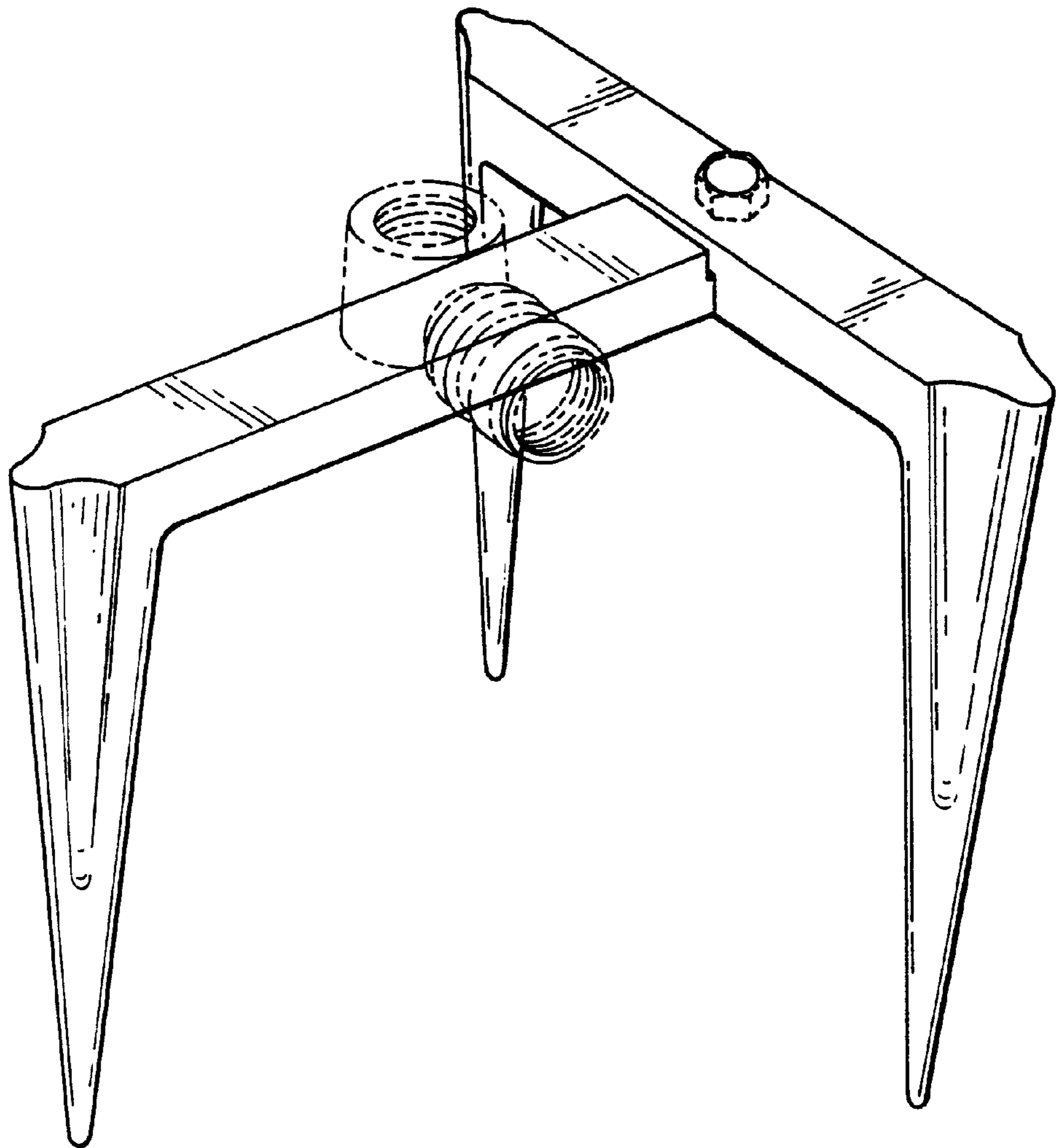


FIG-1

FIG-2

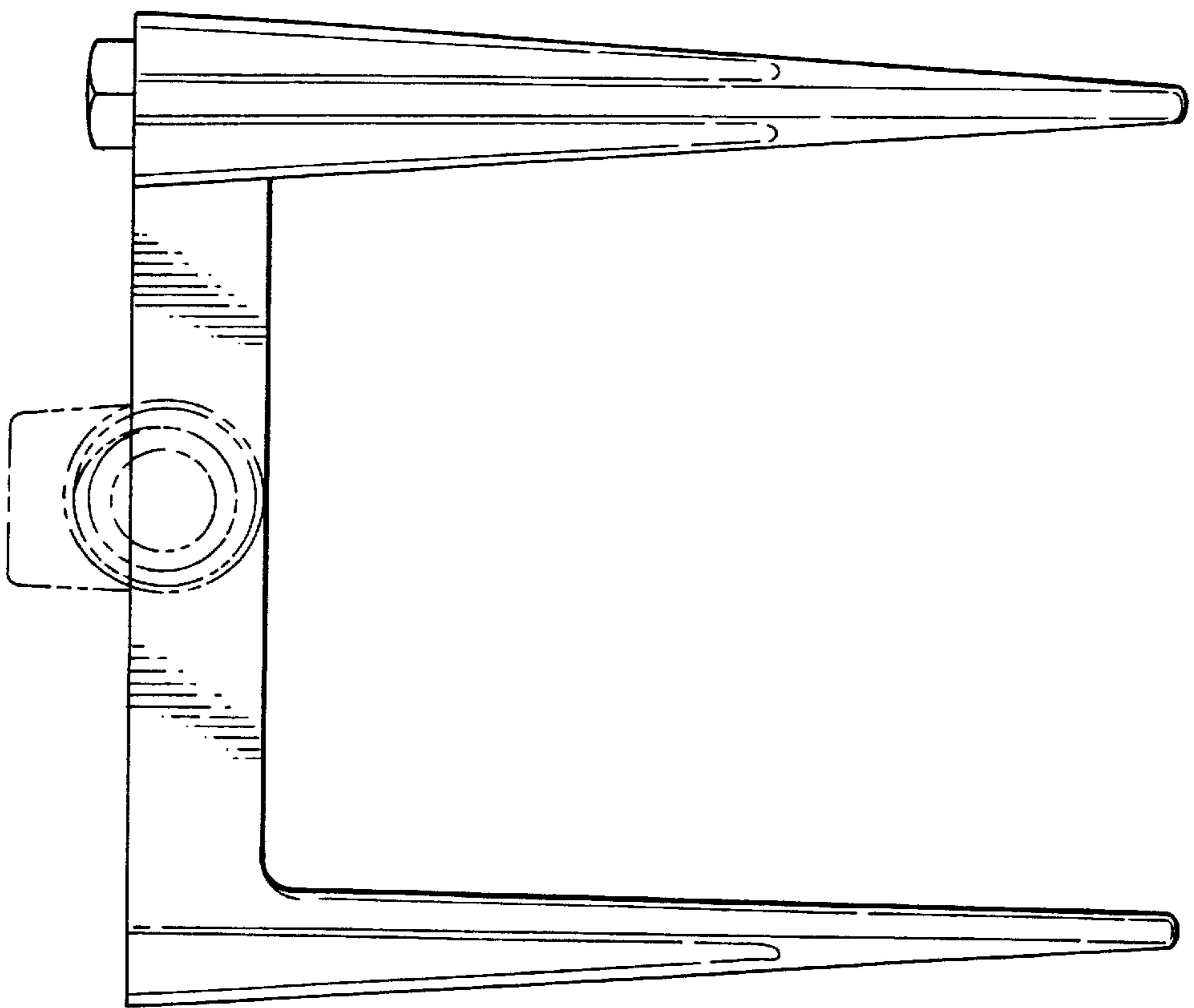
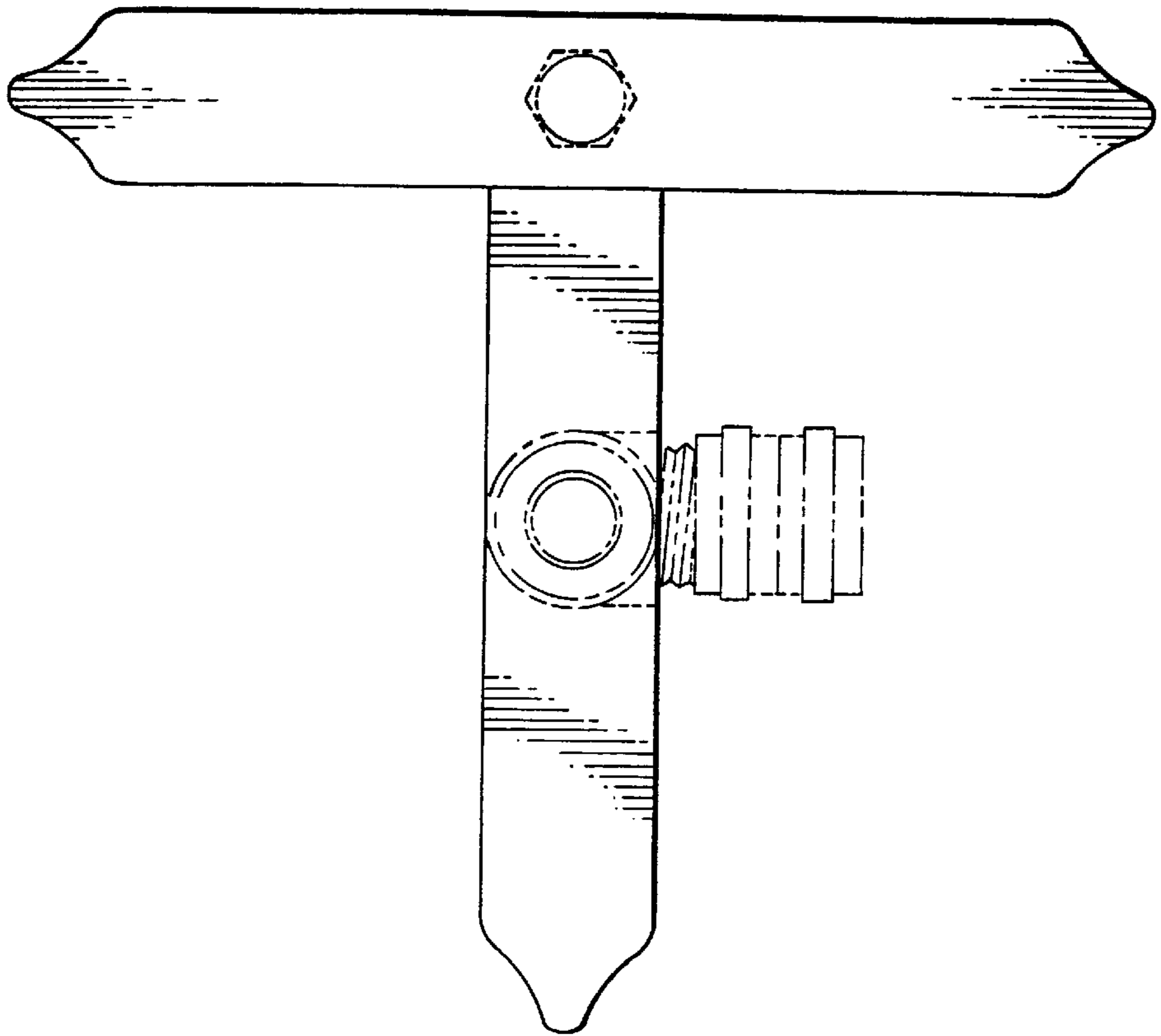


FIG-3



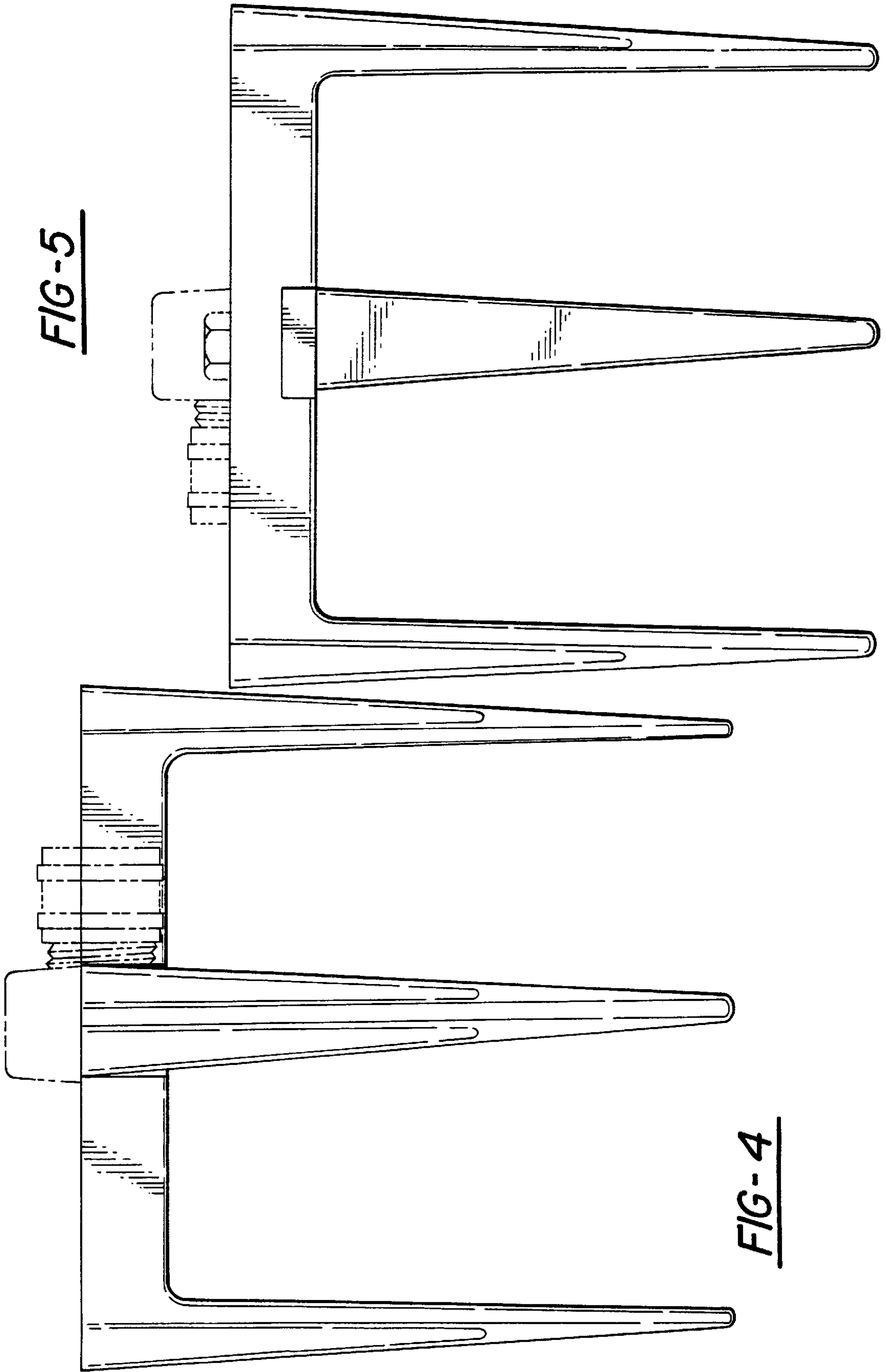


FIG-5

FIG-4

FIG-7

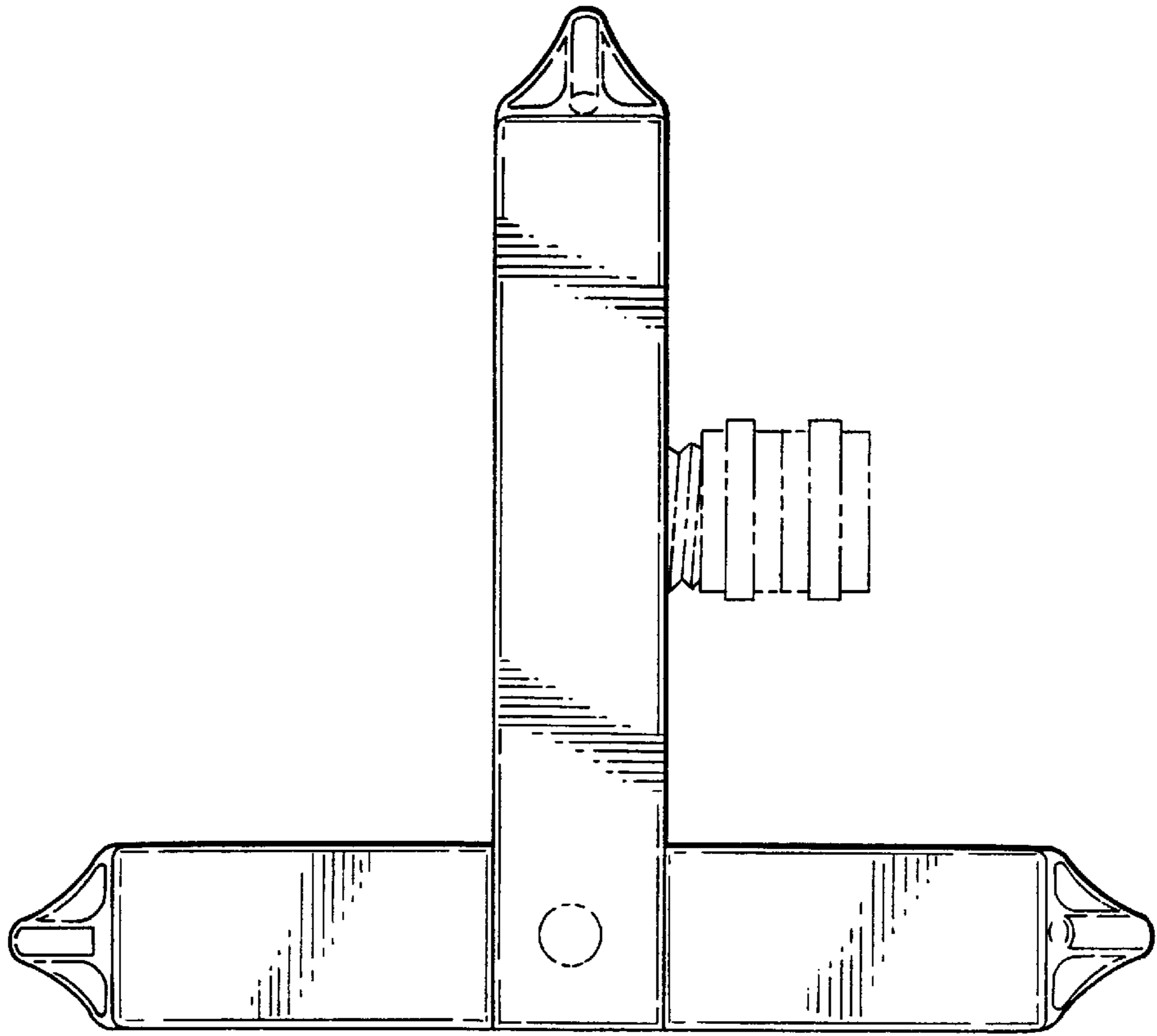


FIG-6

