



US00D438282S

(12) **United States Design Patent**
Liu

(10) **Patent No.:** **US D438,282 S**

(45) **Date of Patent:** **** Feb. 27, 2001**

(54) **WATER FILTER**

4,218,317 * 8/1980 Kirschmann 210/449

(76) Inventor: **Hsin-Fa Liu**, P.O. Box 82-144, Taipei (TW)

* cited by examiner

(**) Term: **14 Years**

Primary Examiner—Robin V. Taylor
(74) *Attorney, Agent, or Firm*—A & J

(21) Appl. No.: **29/122,414**

(57) **CLAIM**

(22) Filed: **Apr. 26, 2000**

The ornamental design for a water filter, as shown and described.

(51) **LOC (7) Cl.** **23-01**

DESCRIPTION

(52) **U.S. Cl.** **D23/209**

(58) **Field of Search** D23/200, 207,
D23/209; 210/232, 459, 460, 461

FIG. 1 is a perspective view of a water filter showing my new design;

FIG. 2 is a front side elevation view thereof;

FIG. 3 is a rear side elevation view thereof;

FIG. 4 is a right side elevation view thereof;

FIG. 5 is a left side elevation view thereof;

FIG. 6 is a top plan view thereof; and,

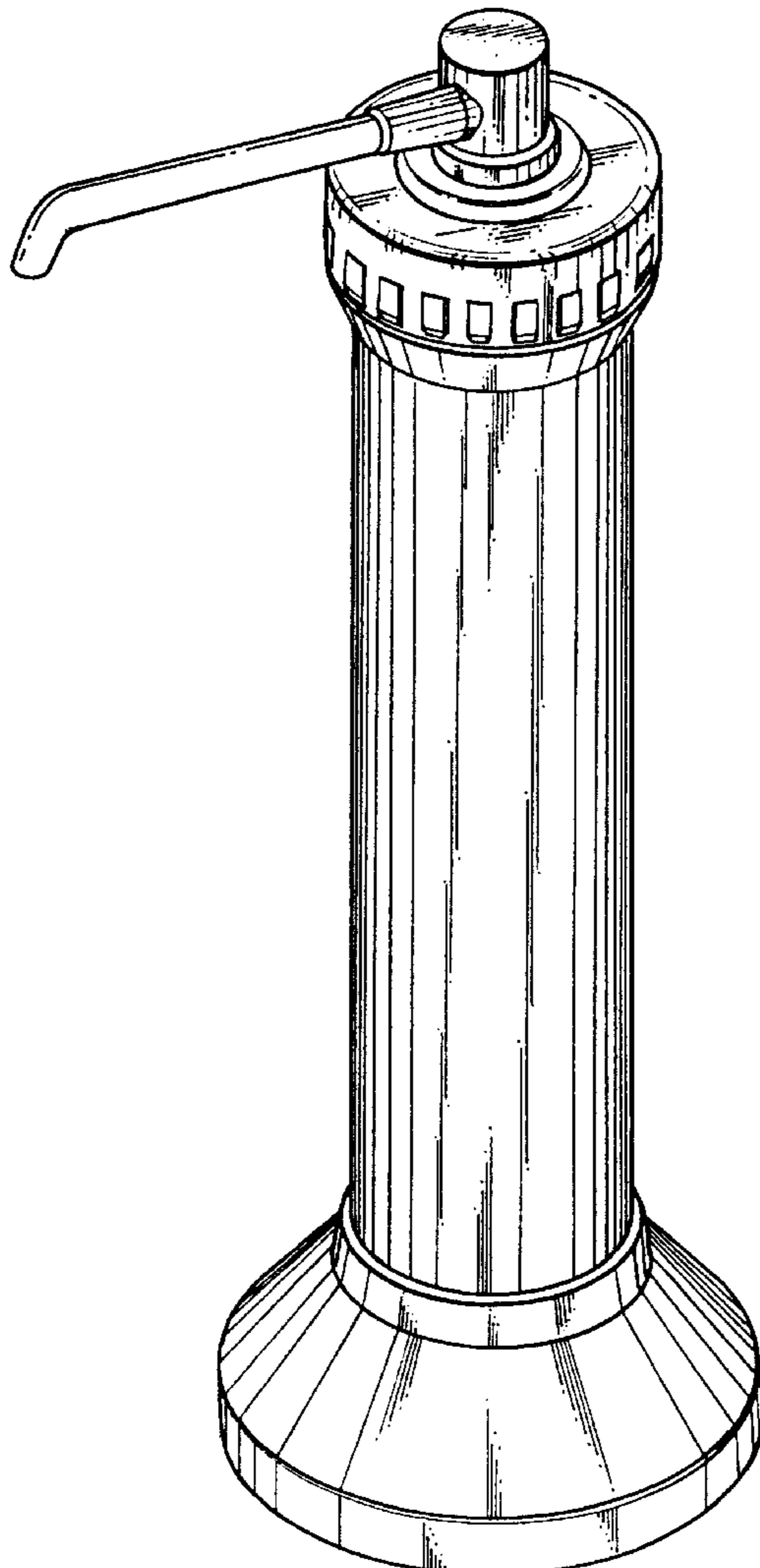
FIG. 7 is a bottom plan view thereof.

(56) **References Cited**

U.S. PATENT DOCUMENTS

- D. 227,886 * 7/1973 Martinez D23/209
- D. 310,707 * 9/1990 Sedman D23/209
- D. 323,017 * 1/1992 Bernstein D23/209
- D. 344,322 * 2/1994 Kasner et al. D23/209

1 Claim, 6 Drawing Sheets



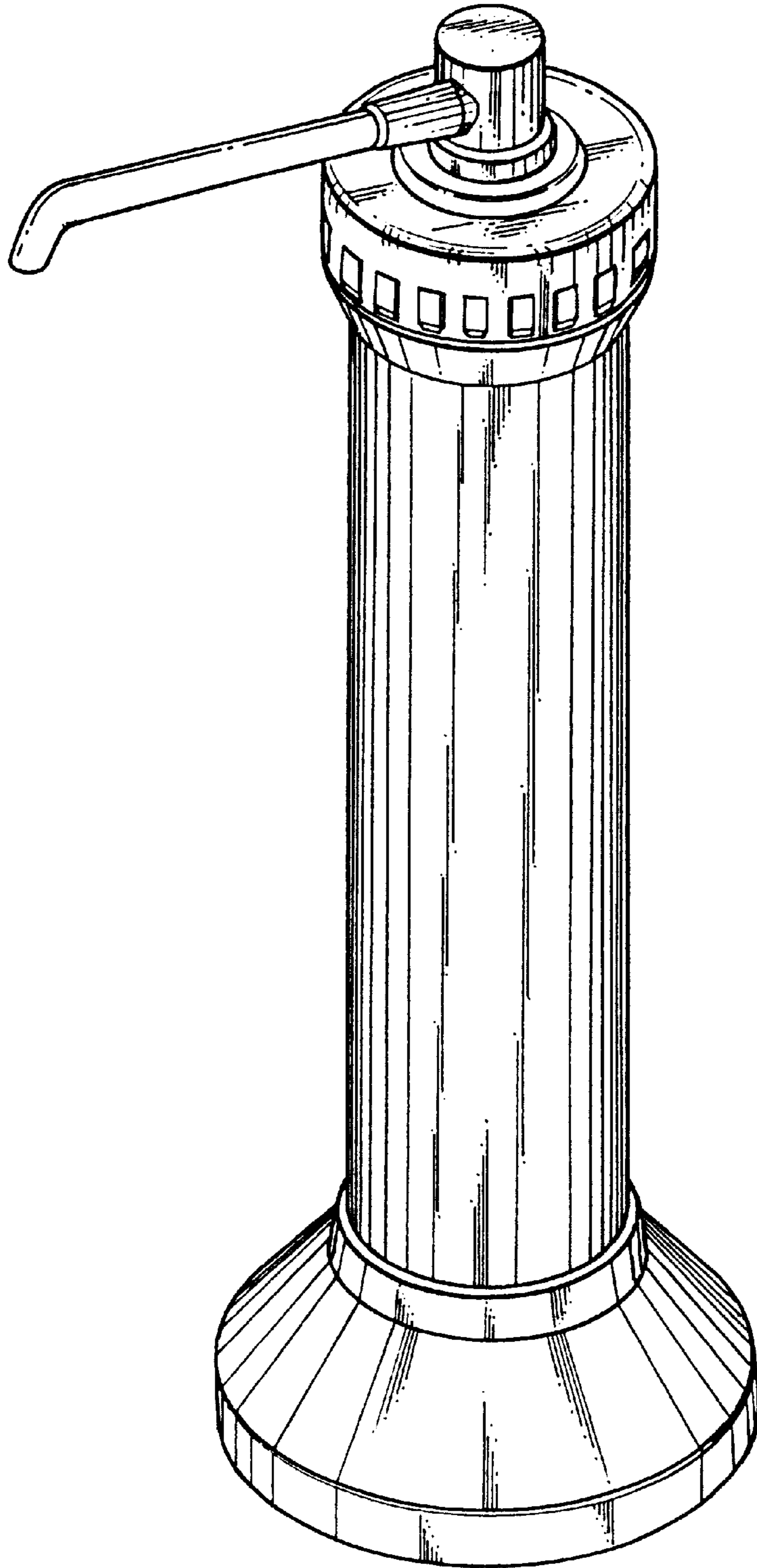


FIG. 1

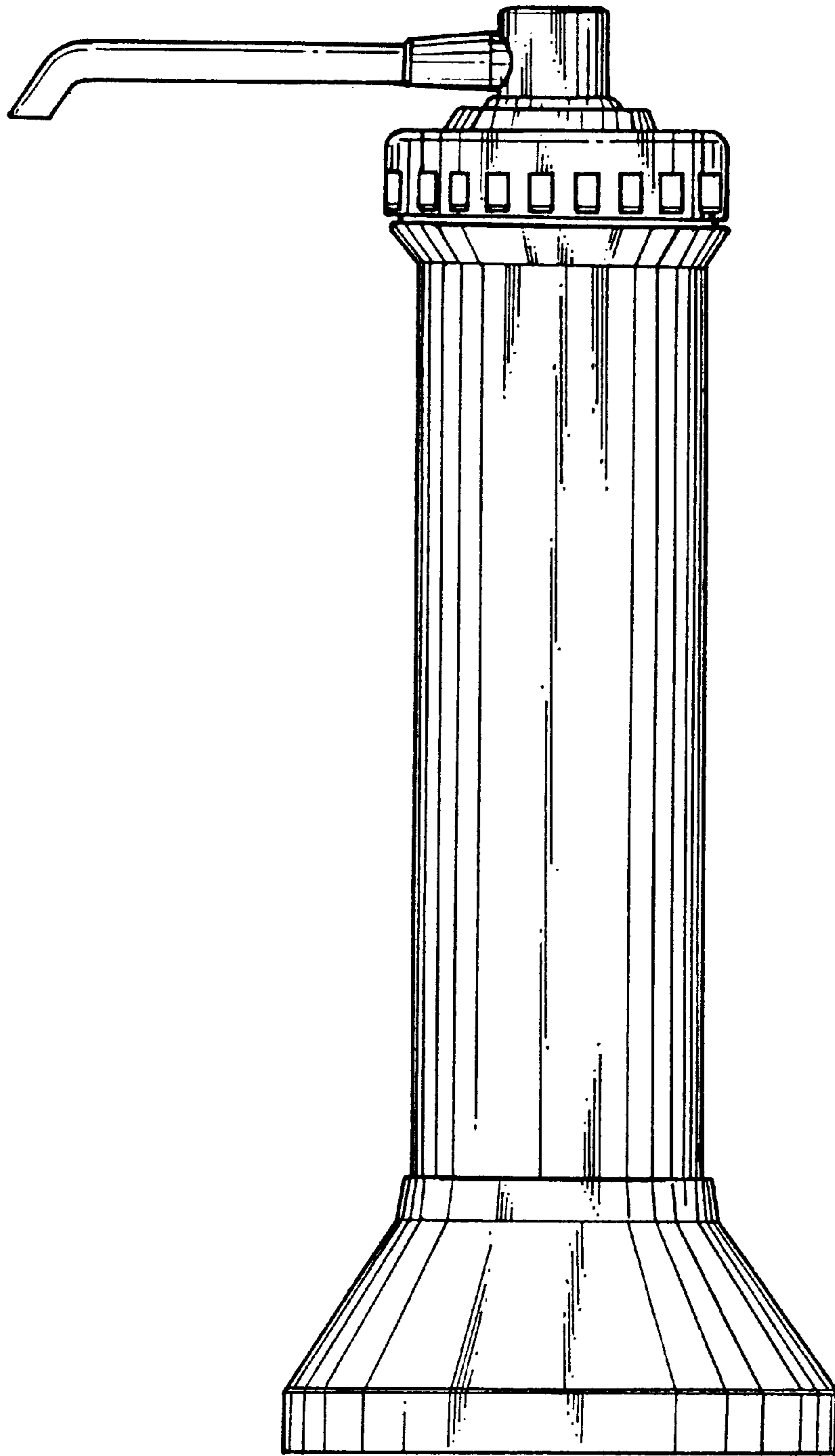


FIG. 2

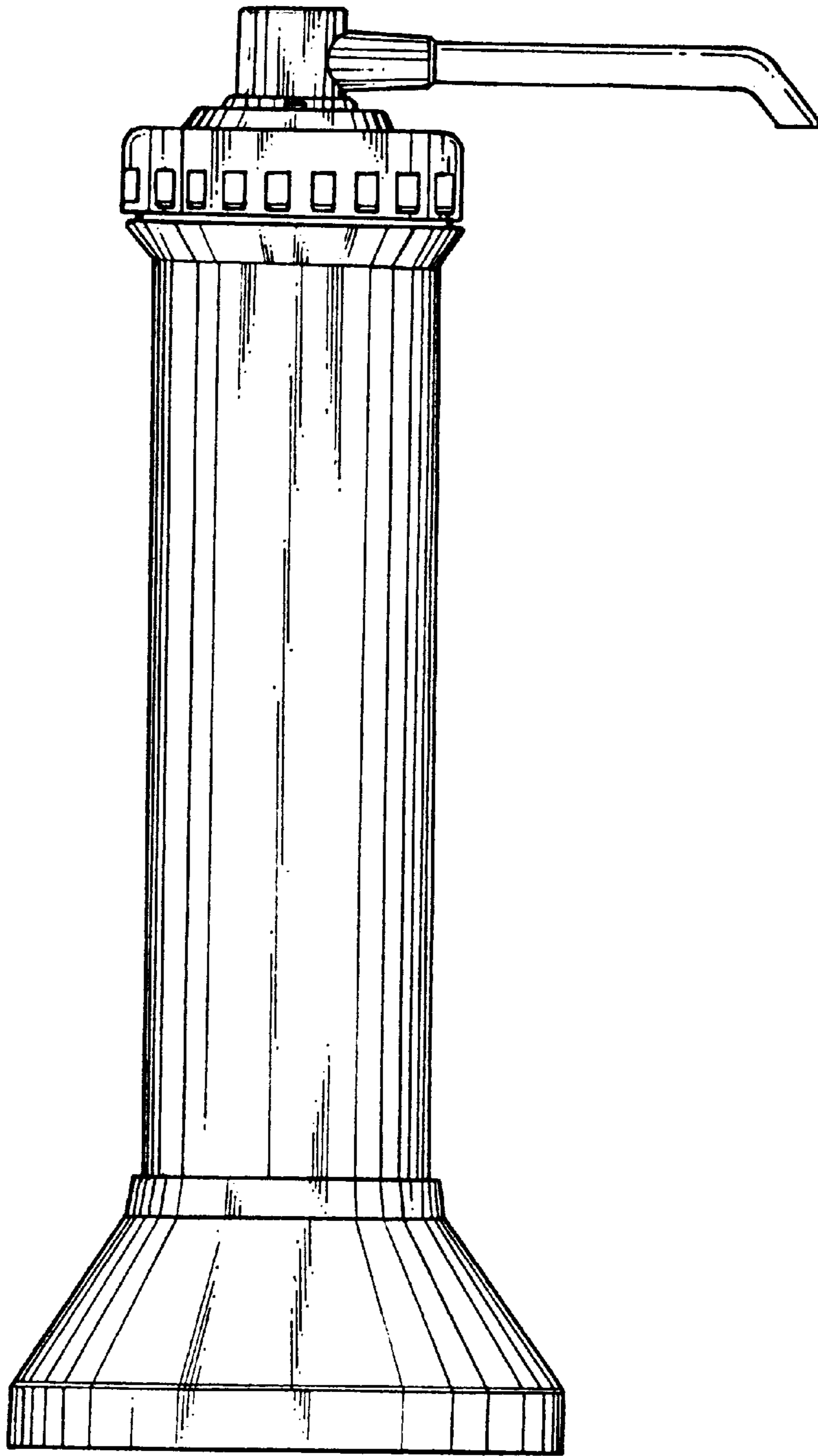


FIG. 3

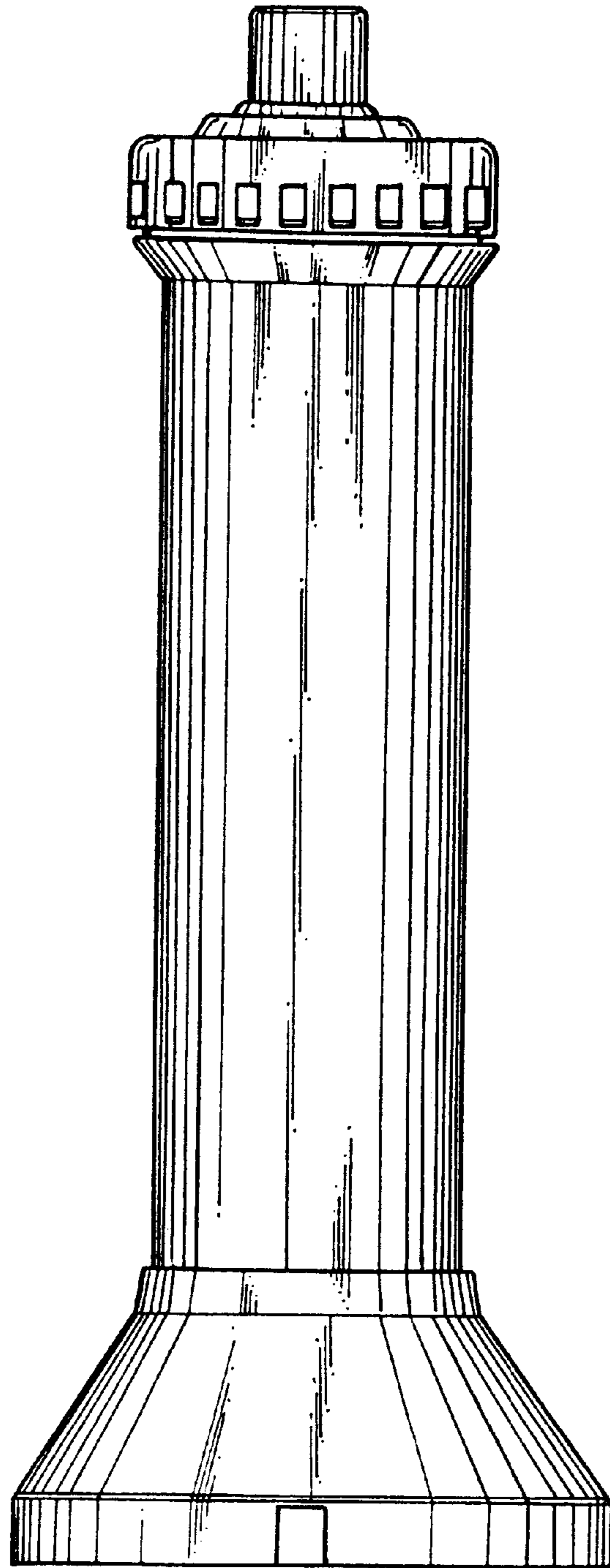


FIG. 4

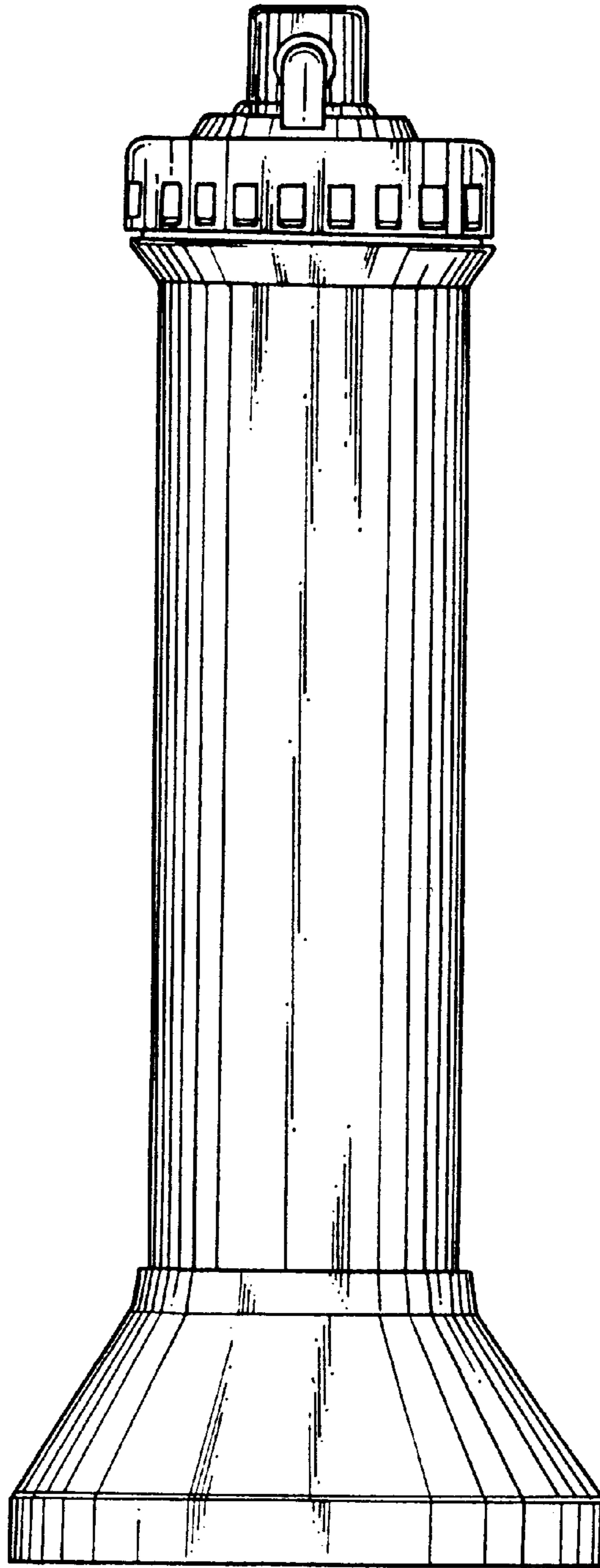


FIG. 5

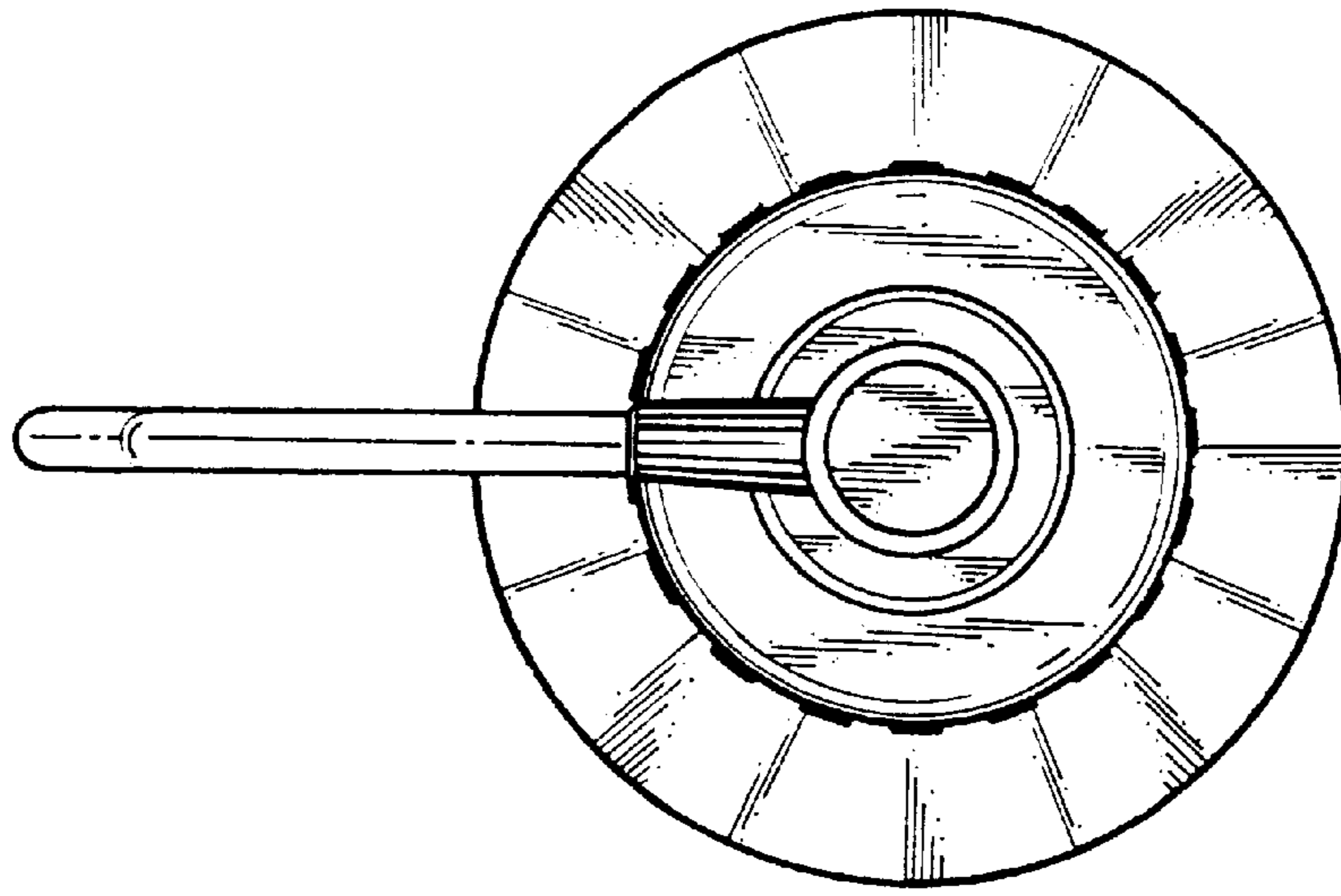


FIG. 6

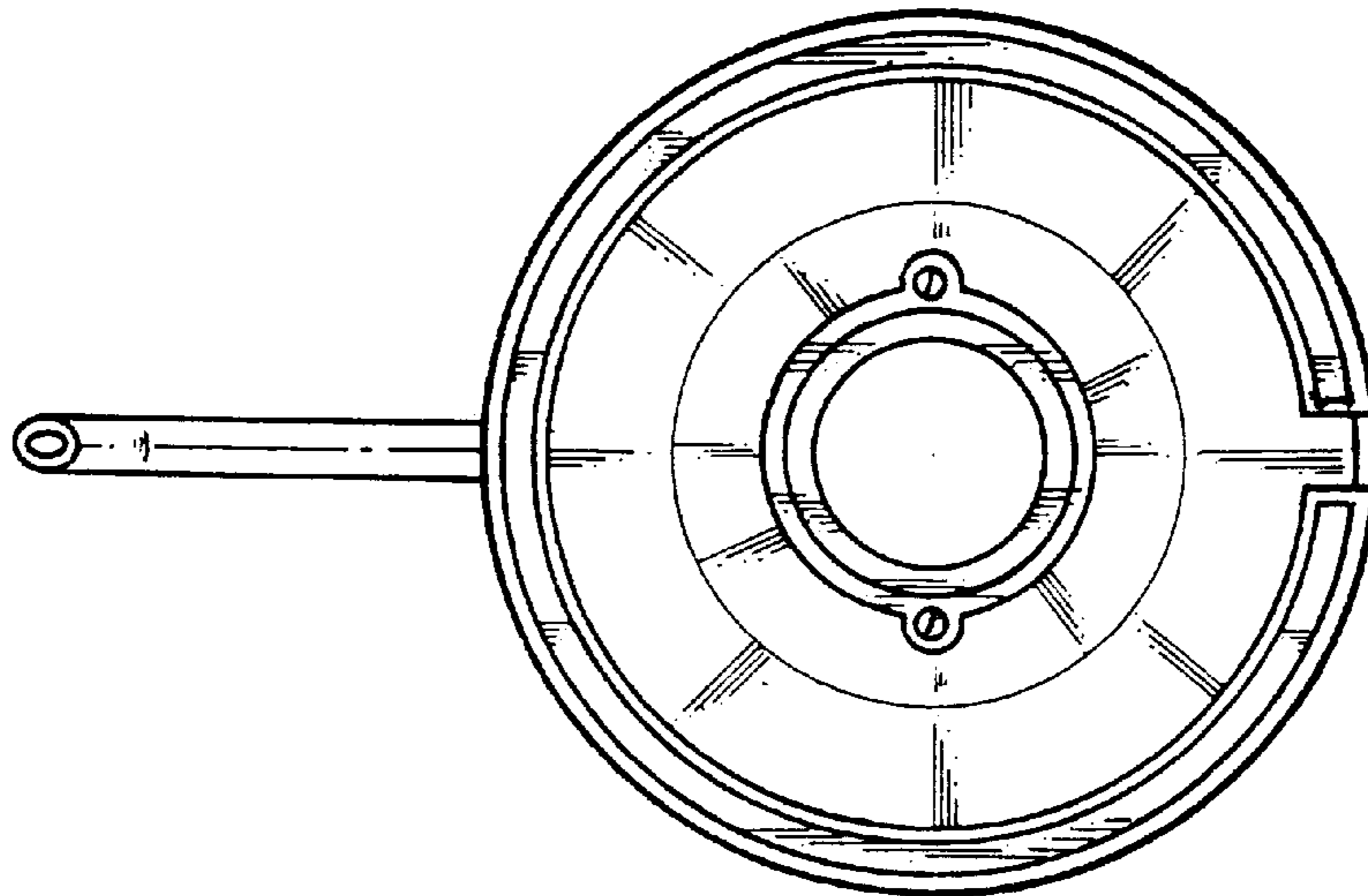


FIG. 7