



US00D438281S

(12) **United States Design Patent**
Webster

(10) **Patent No.:** **US D438,281 S**

(45) **Date of Patent:** **** Feb. 27, 2001**

(54) **ROD AND REEL SAVER**

(76) **Inventor:** **Henry J. Webster**, P.O. Box 2988,
Sierra Vista, AZ (US) 85636

(**) **Term:** **14 Years**

(21) **Appl. No.:** **29/116,826**

(22) **Filed:** **Jan. 12, 2000**

(51) **LOC (7) Cl.** **22-05**

(52) **U.S. Cl.** **D22/147**

(58) **Field of Search** D22/147; 43/21.2;
248/163.1, 251, 511, 514, 520, 530; D6/417,
418, 429, 462

(56) **References Cited**

U.S. PATENT DOCUMENTS

- D. 346,638 5/1994 Streeter .
- D. 413,648 * 9/1999 Simpson et al. D22/147
- 2,981,510 * 4/1961 Burns 248/520
- 4,177,595 12/1979 Chon .

- 4,763,345 * 8/1988 Deerling 43/21.2
- 5,038,511 8/1991 Gessner .
- 5,088,224 2/1992 Gutierrez .
- 5,341,589 8/1994 Gutierrez .

* cited by examiner

Primary Examiner—Louis S. Zarfaz
Assistant Examiner—Inga-Maria Hyttinen

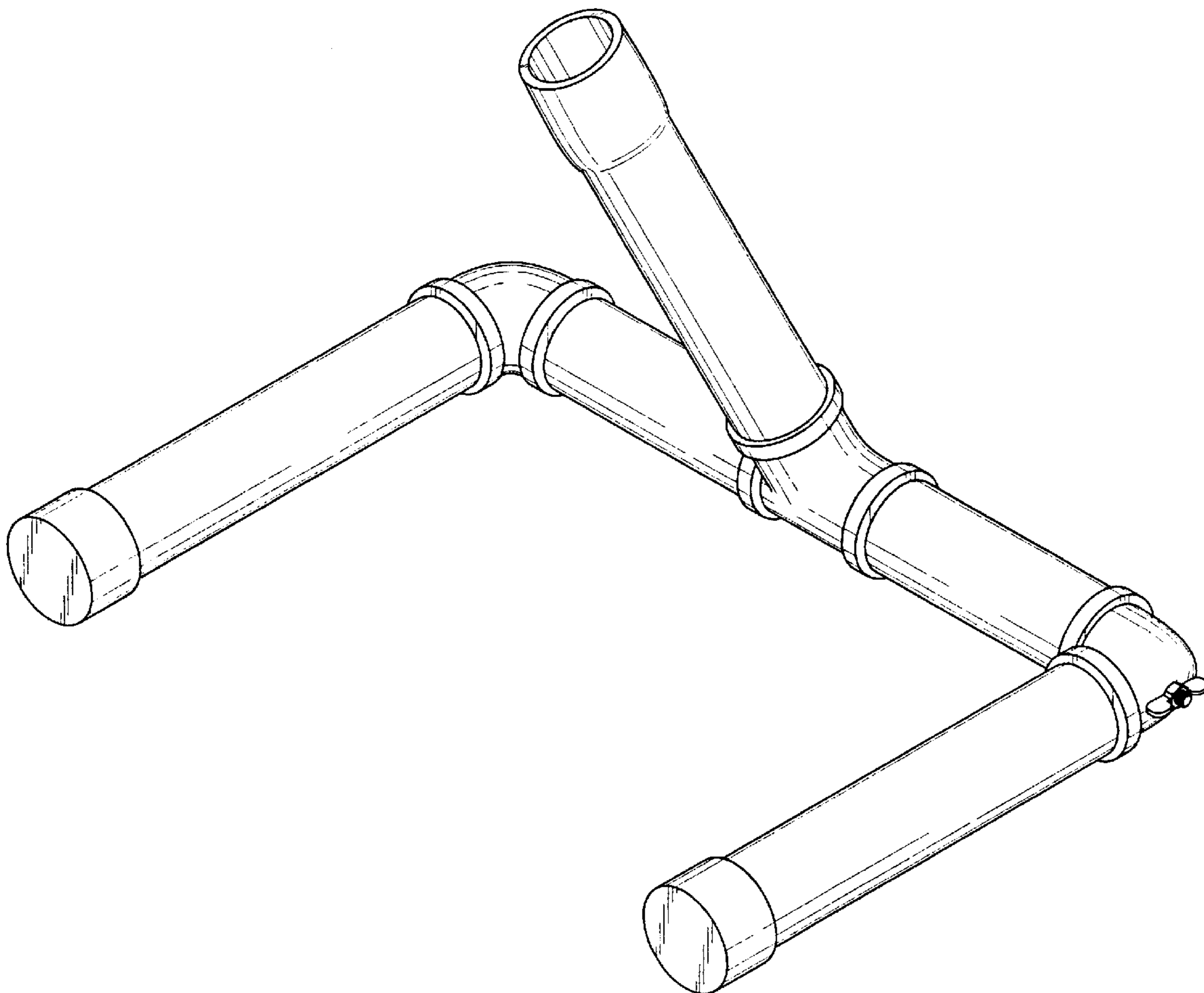
(57) **CLAIM**

The ornamental design for the rod and reel saver, as shown and described.

DESCRIPTION

FIG. 1 is a perspective view of the rod and reel saver;
FIG. 2 is a right side view of the rod and reel saver;
FIG. 3 is a front view of the rod and reel saver;
FIG. 4 is a rear view of the rod and reel saver;
FIG. 5 is a top view of the rod and reel saver; and,
FIG. 6 is a bottom view of the rod and reel saver.

1 Claim, 4 Drawing Sheets



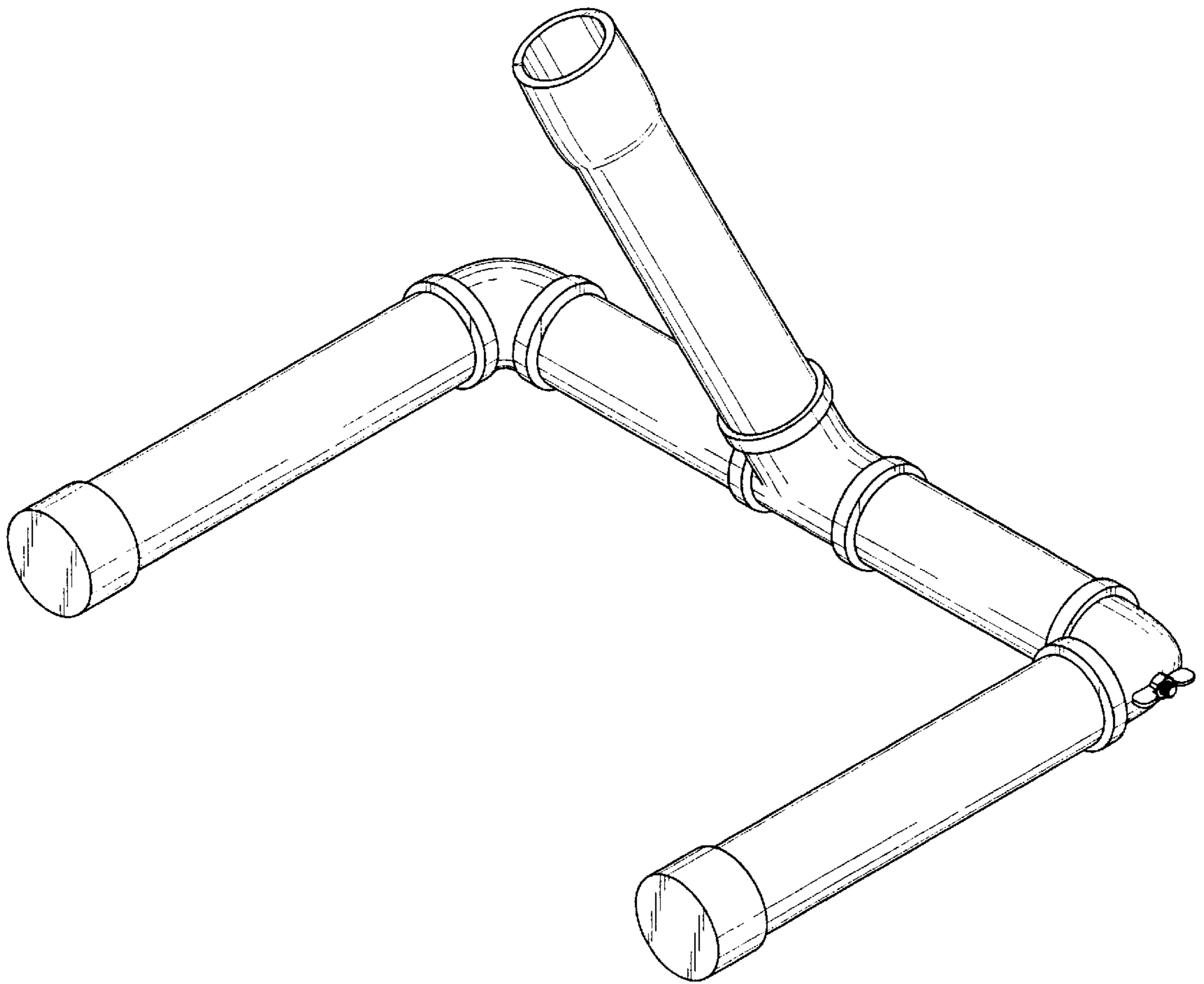


Fig. 1

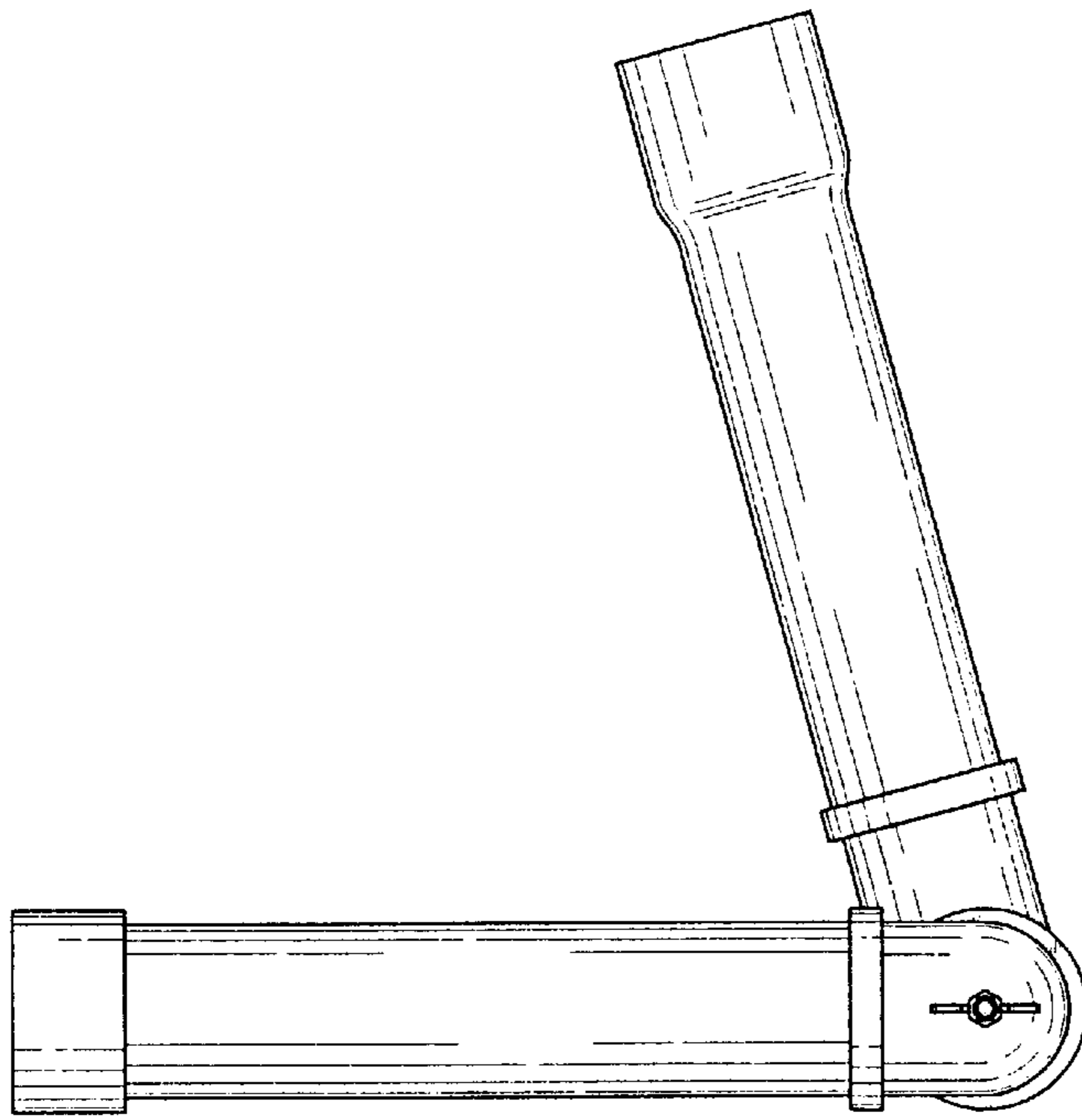


Fig. 2

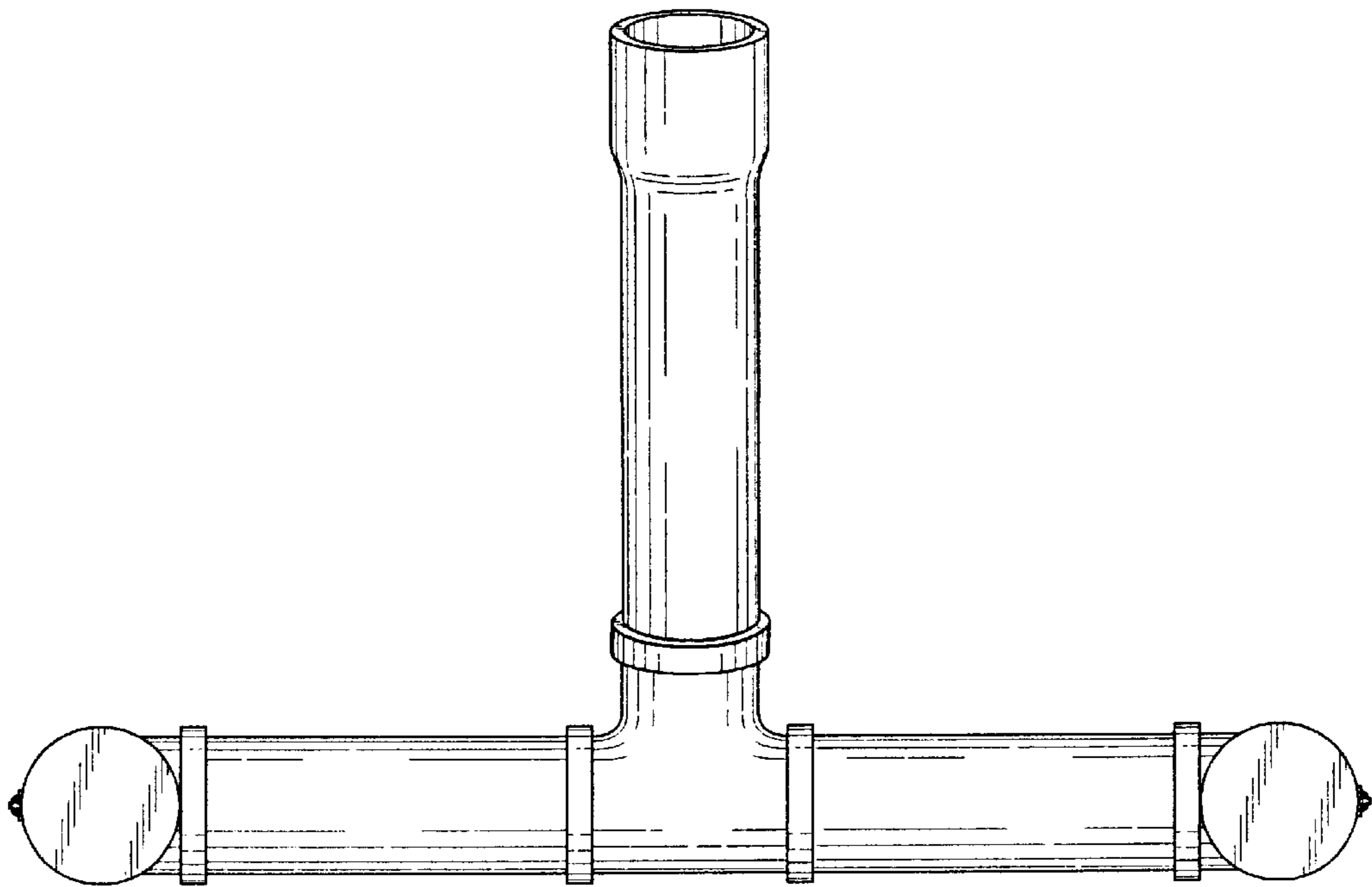


Fig. 3

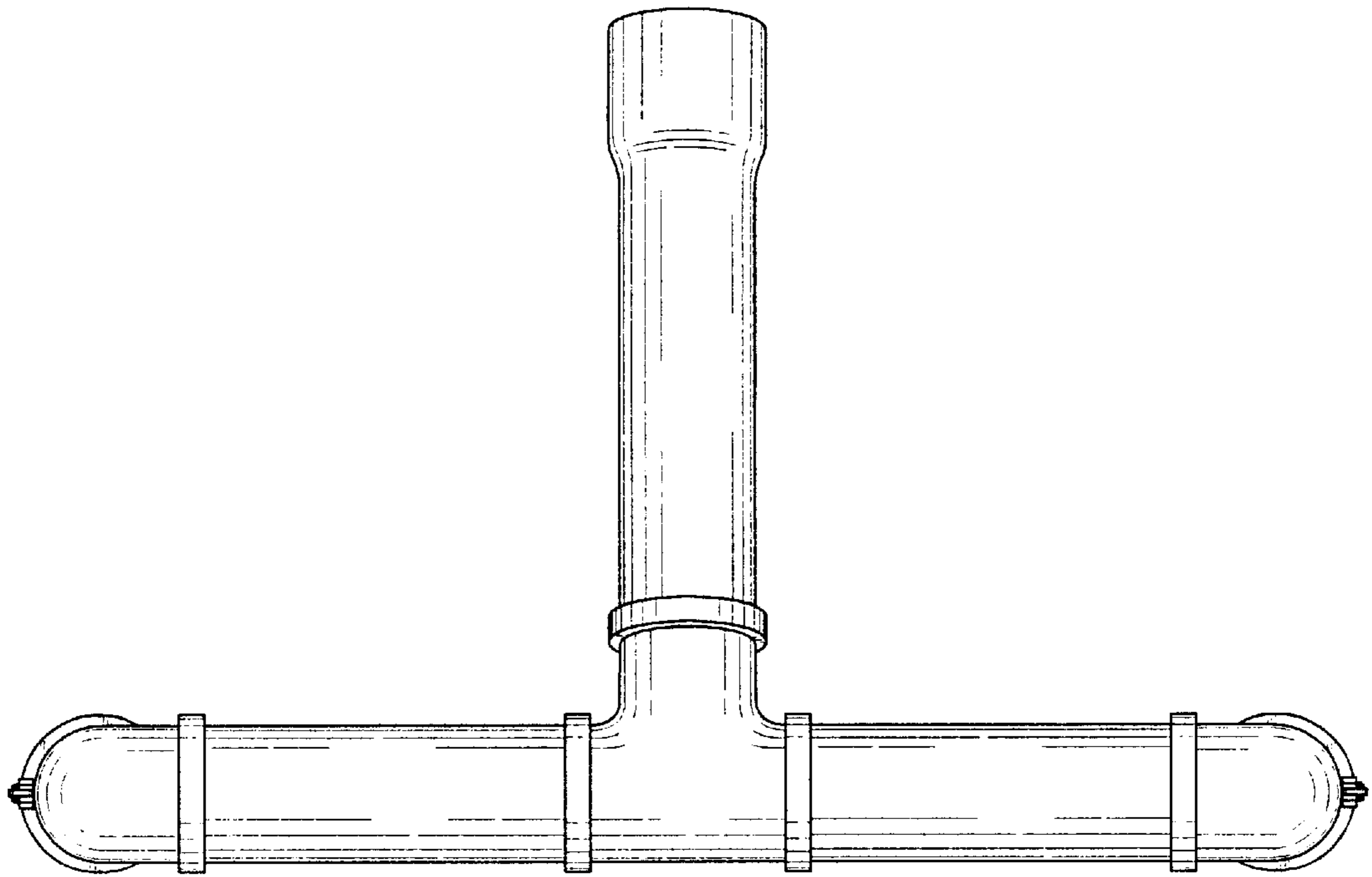


Fig. 4

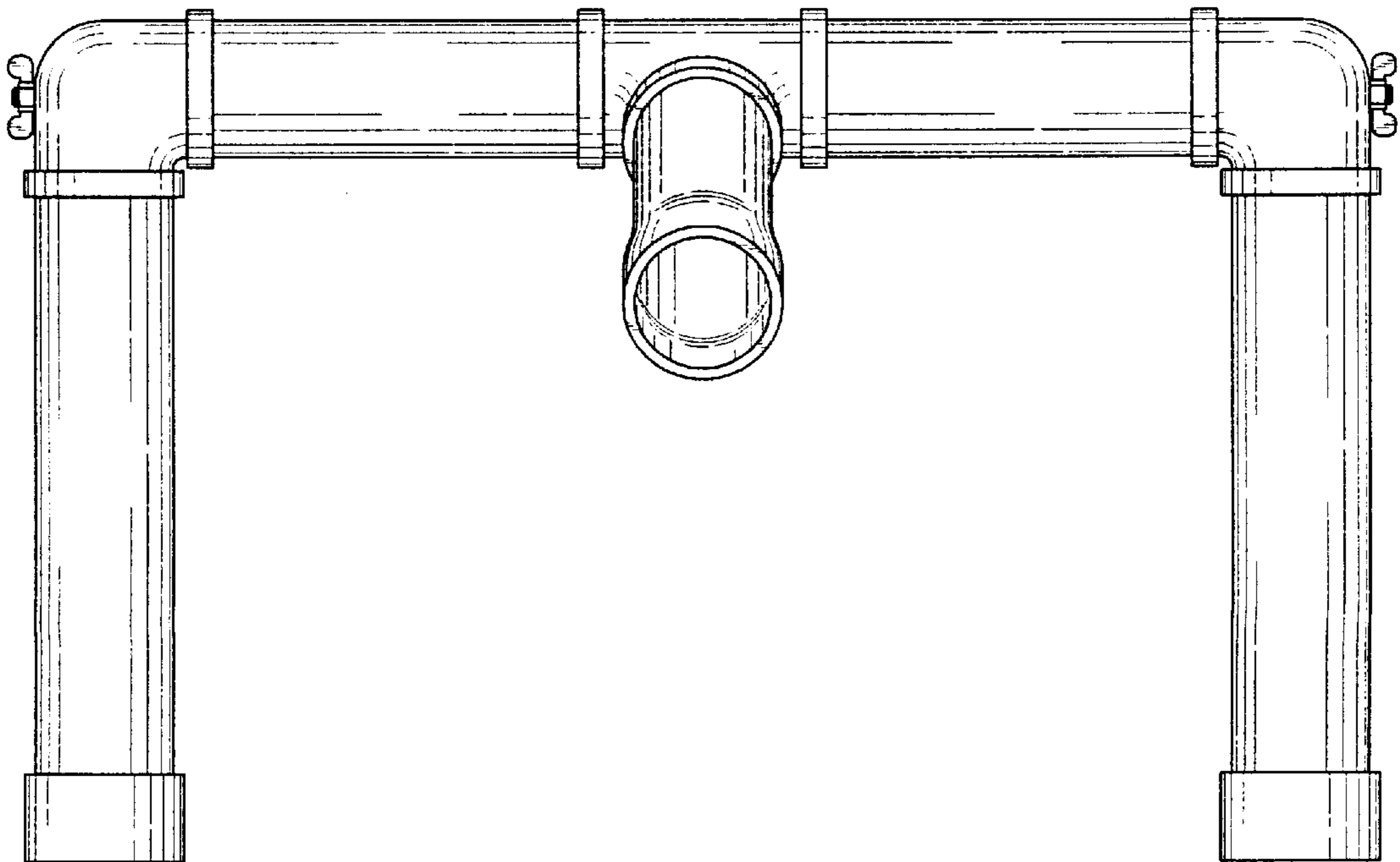


Fig. 5

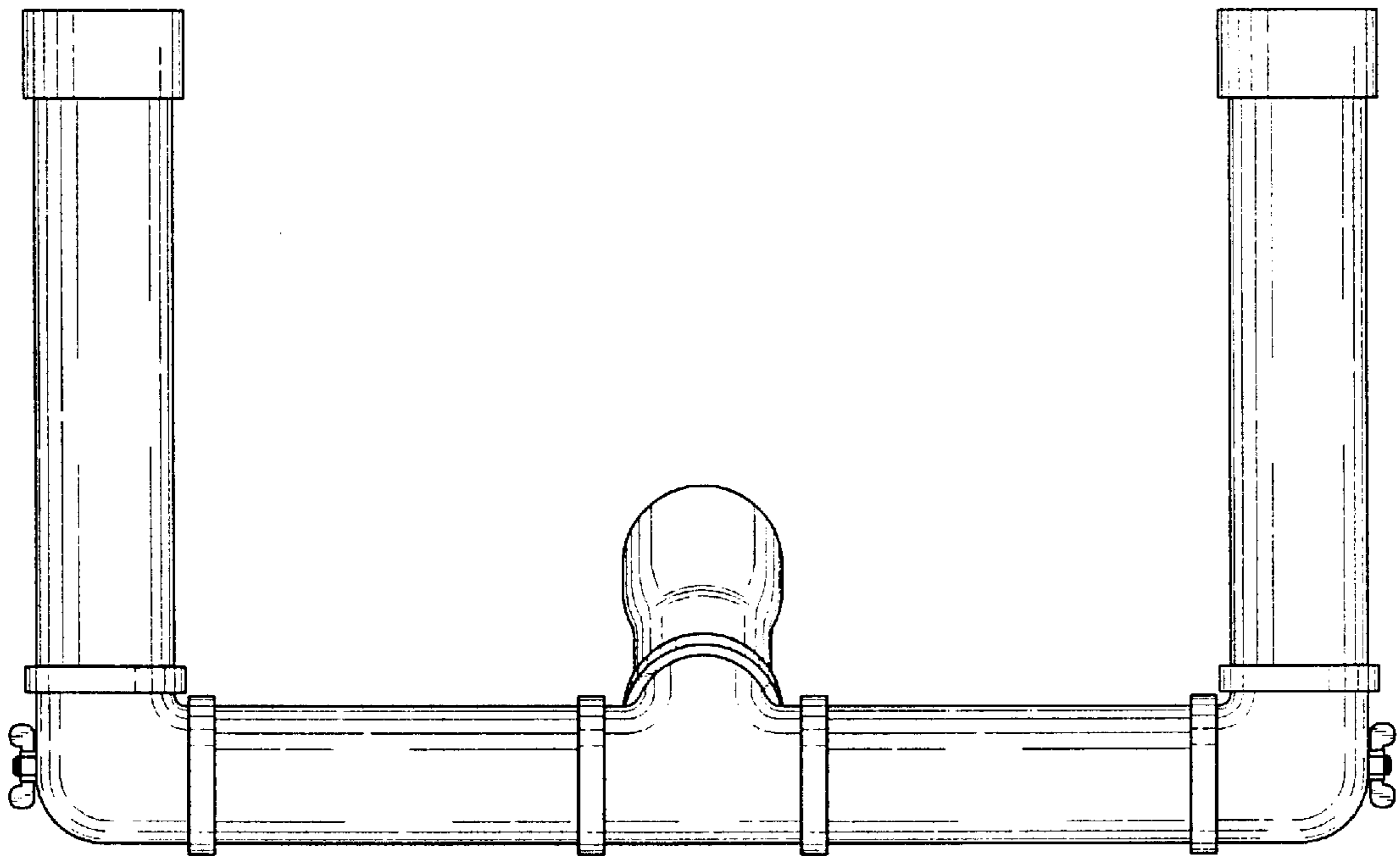


Fig. 6