



US00D438276S

(12) **United States Design Patent**  
**Craft et al.**

(10) **Patent No.:** **US D438,276 S**

(45) **Date of Patent:** **\*\* Feb. 27, 2001**

(54) **GOLF CLUB HEAD**  
(75) Inventors: **Brian Craft; Phillippe Besnard**, both of  
Oceanside; **Bret Wahl**, Carlsbad, all of  
CA (US)

5,184,823 2/1993 Desboilles .  
5,282,625 2/1994 Schmidt et al. .  
5,540,436 7/1996 Boone ..... 473/350  
5,544,885 8/1996 Besnard et al. .... 473/350  
5,588,922 12/1996 Schmidt et al. .... 473/324  
5,807,191 9/1998 Nakahara ..... 473/350

(73) Assignee: **Taylor Made Golf Company, Inc.**,  
Carlsbad, CA (US)

**FOREIGN PATENT DOCUMENTS**

(\*\*) Term: **14 Years**

2165461 4/1986 (GB) .  
2-264676 10/1990 (JP) .

(21) Appl. No.: **29/110,636**  
(22) Filed: **Sep. 10, 1999**

\* cited by examiner

(51) **LOC (7) Cl.** ..... **21-02**  
(52) **U.S. Cl.** ..... **D21/748**  
(58) **Field of Search** ..... D21/747-751;  
473/350, 324, 327-331, 291

*Primary Examiner*—Mitchell Siegel  
(74) *Attorney, Agent, or Firm*—Greenblum & Bernstein,  
P.L.C.

(57) **CLAIM**

We claim the ornamental design for a golf club head, as  
shown and described.

(56) **References Cited**

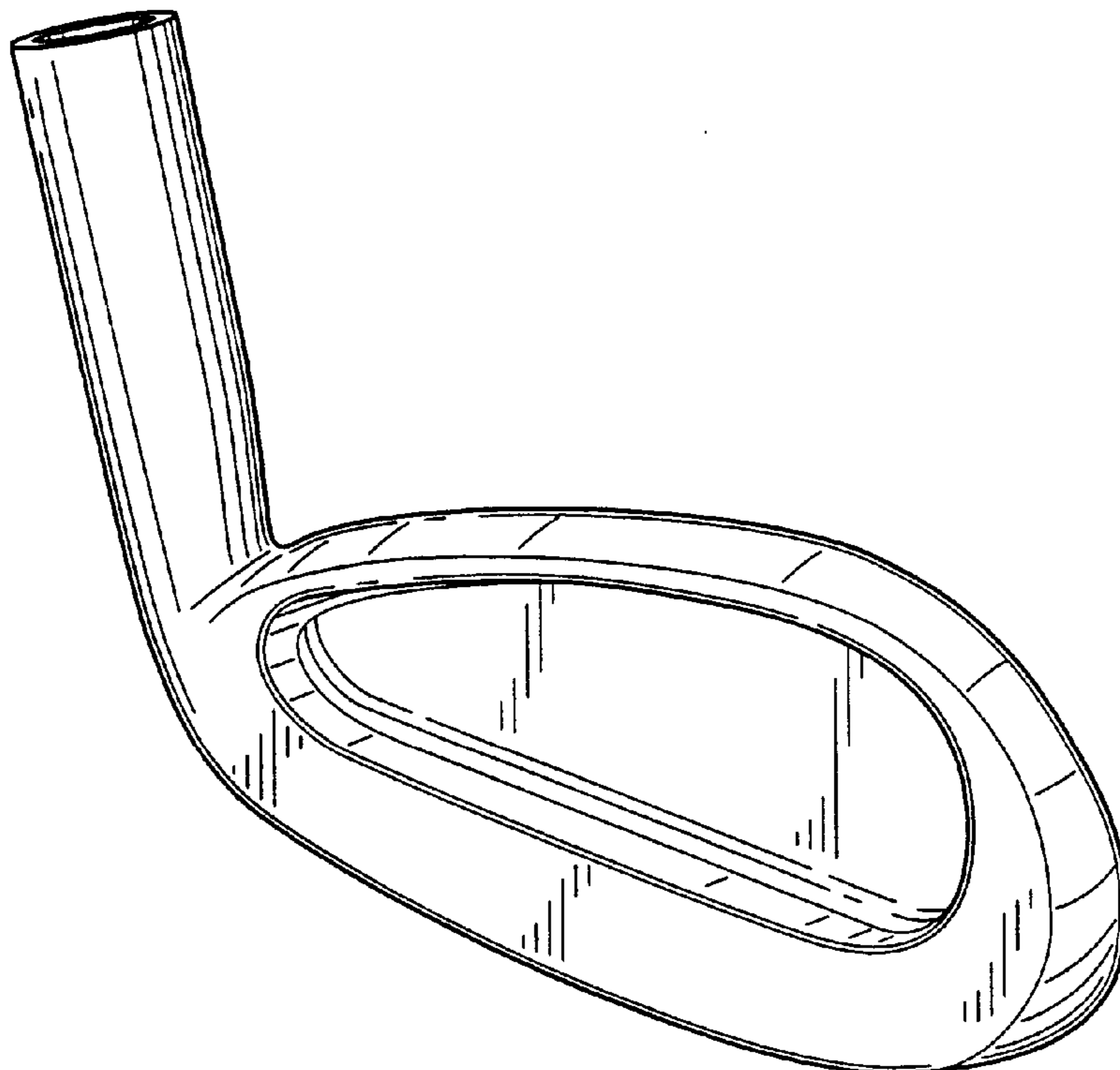
**DESCRIPTION**

**U.S. PATENT DOCUMENTS**

D. 339,183 \* 9/1993 Stites, III ..... D21/748  
D. 361,813 8/1995 Guibaud et al. .... D21/748  
D. 379,207 5/1997 Besnard et al. .... D21/748  
4,420,156 \* 12/1983 Campau ..... 473/291  
4,653,756 3/1987 Sato .  
4,740,345 4/1988 Nagasaki et al. .  
4,792,139 12/1988 Nagasaki et al. .  
4,798,383 1/1989 Nagasaki et al. .  
4,884,812 12/1989 Nagasaki et al. .  
4,928,972 5/1990 Nakanishi et al. .  
4,964,640 10/1990 Nakanishi et al. .  
5,046,733 9/1991 Antonious .

FIG. 1 is a back perspective view of the golf club head,  
showing our new design;  
FIG. 2 is a front perspective view thereof;  
FIG. 3 is a left end or toe elevation view thereof;  
FIG. 4 is a right end or heel elevation view thereof;  
FIG. 5 is a rear elevation view thereof;  
FIG. 6 is a front elevation view thereof;  
FIG. 7 is a top plan view thereof; and,  
FIG. 8 is a bottom plan view thereof.

**1 Claim, 4 Drawing Sheets**



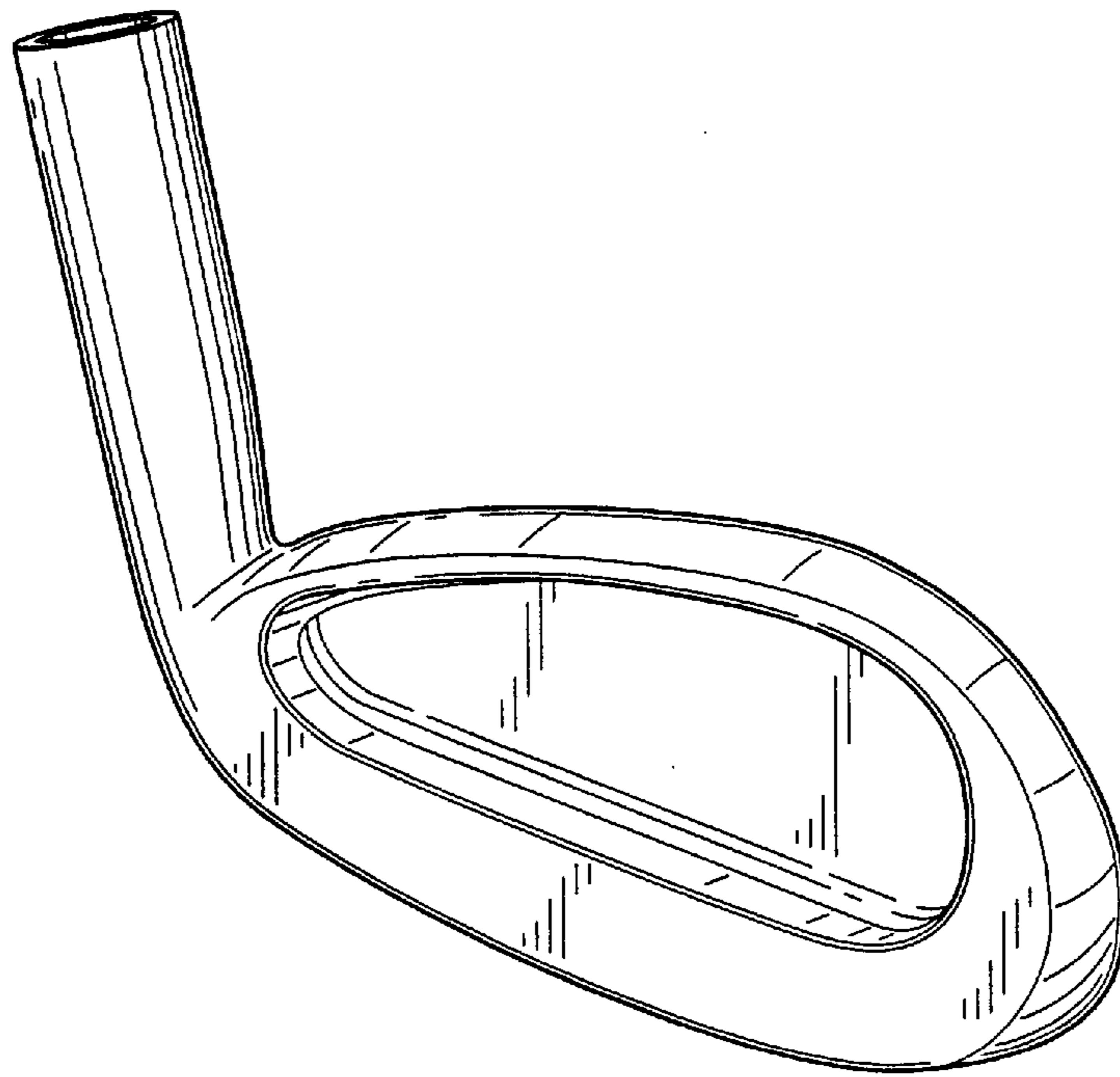


FIG. 1

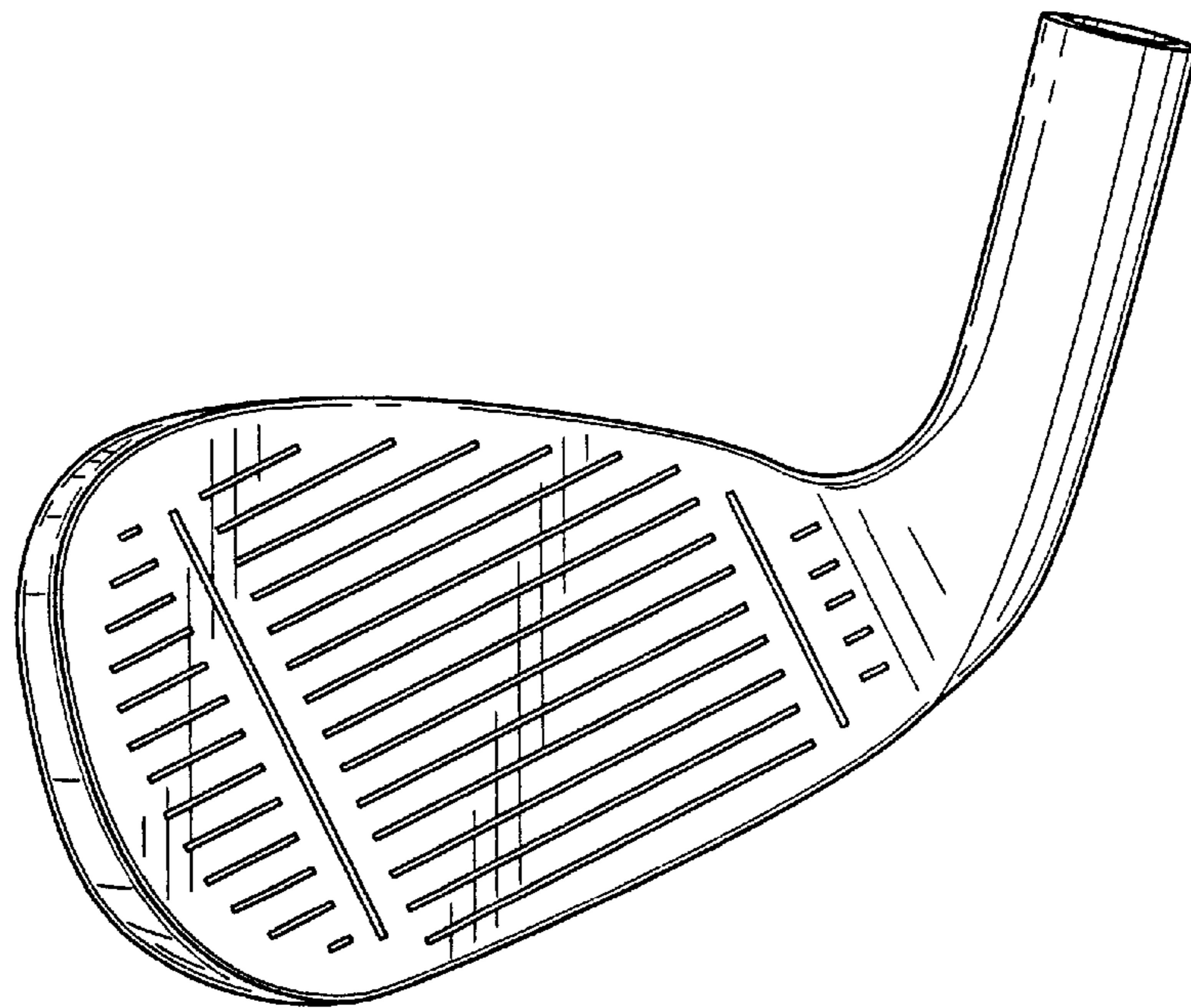


FIG. 2

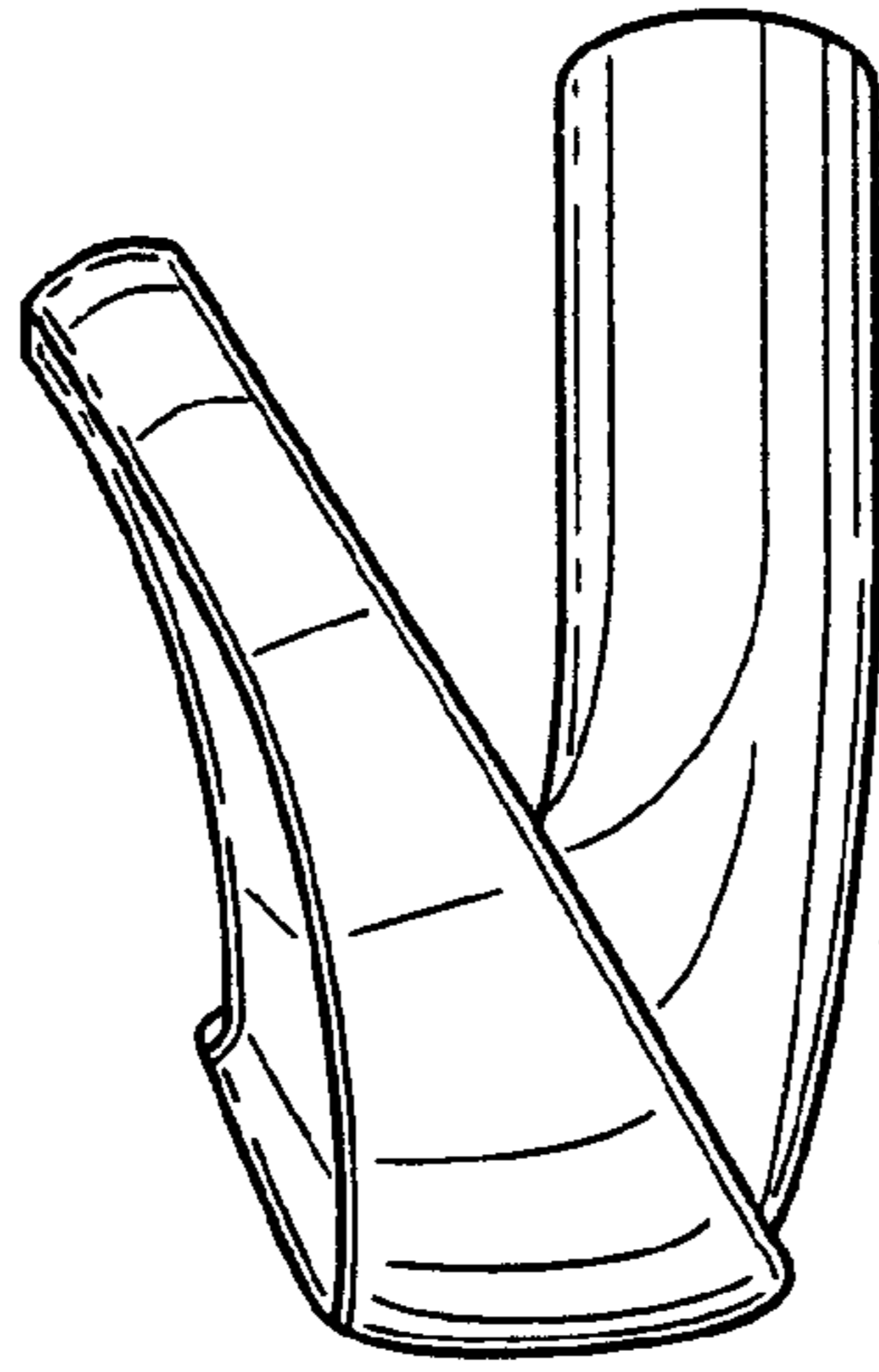


FIG. 3

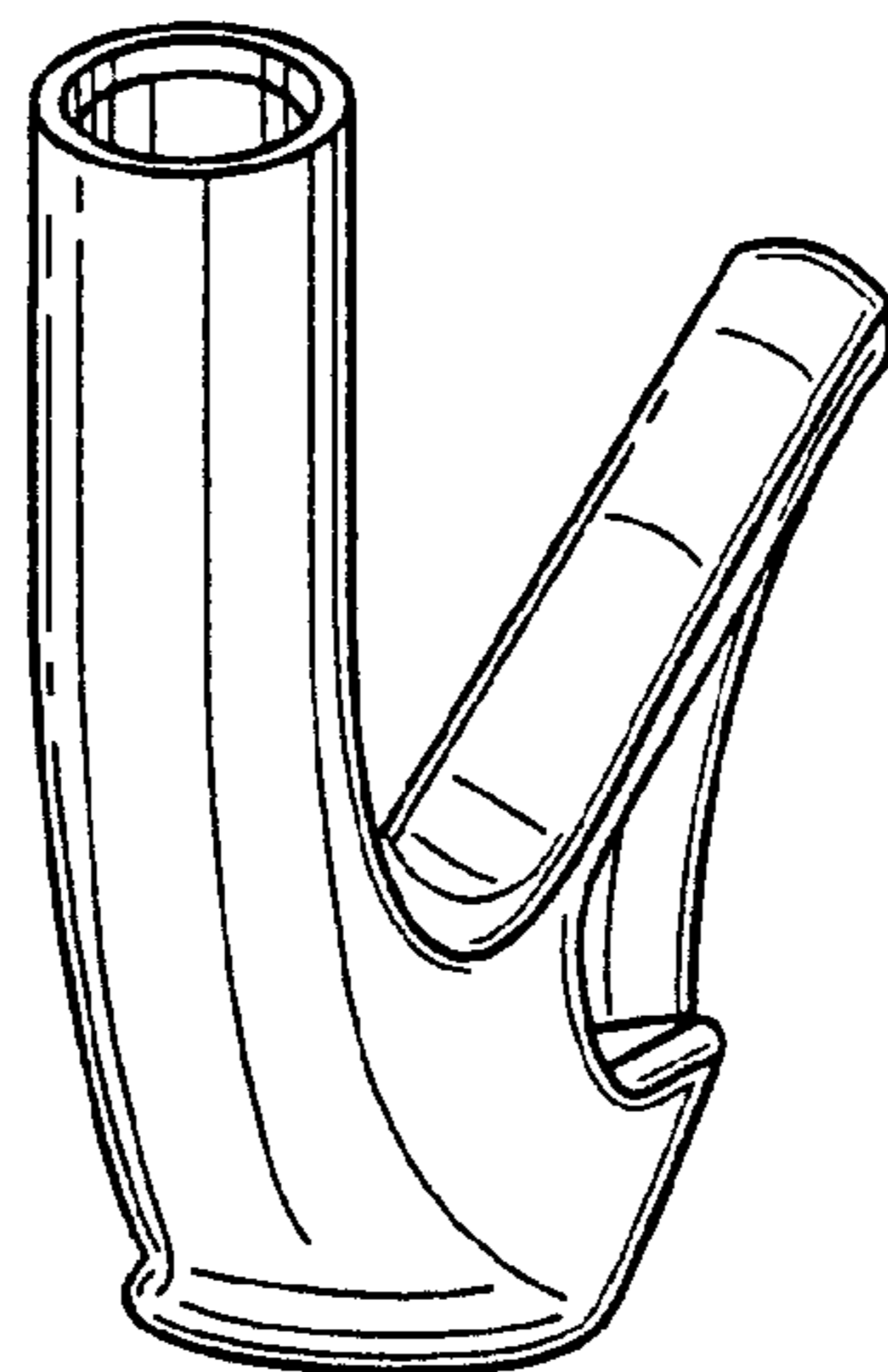


FIG. 4

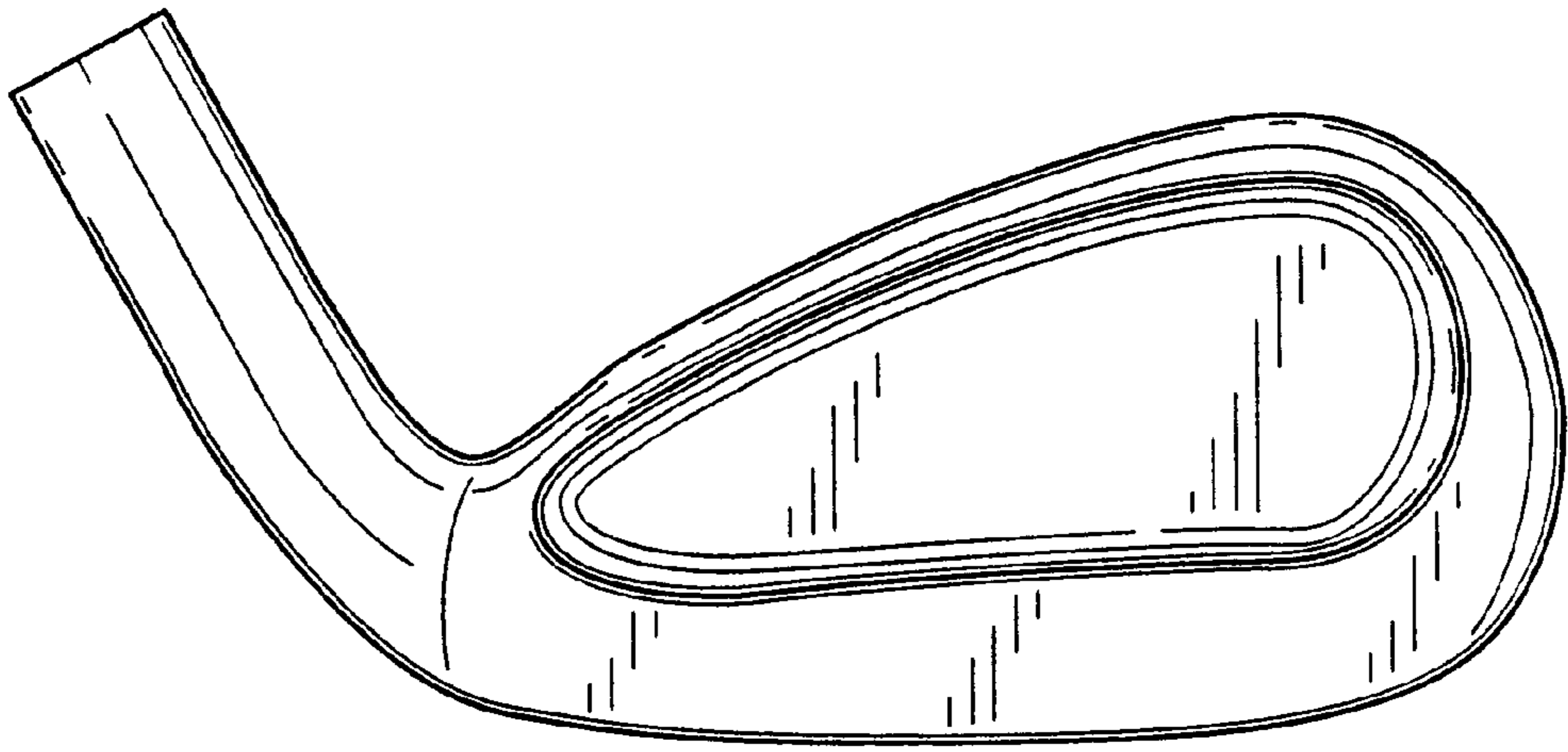


FIG. 5

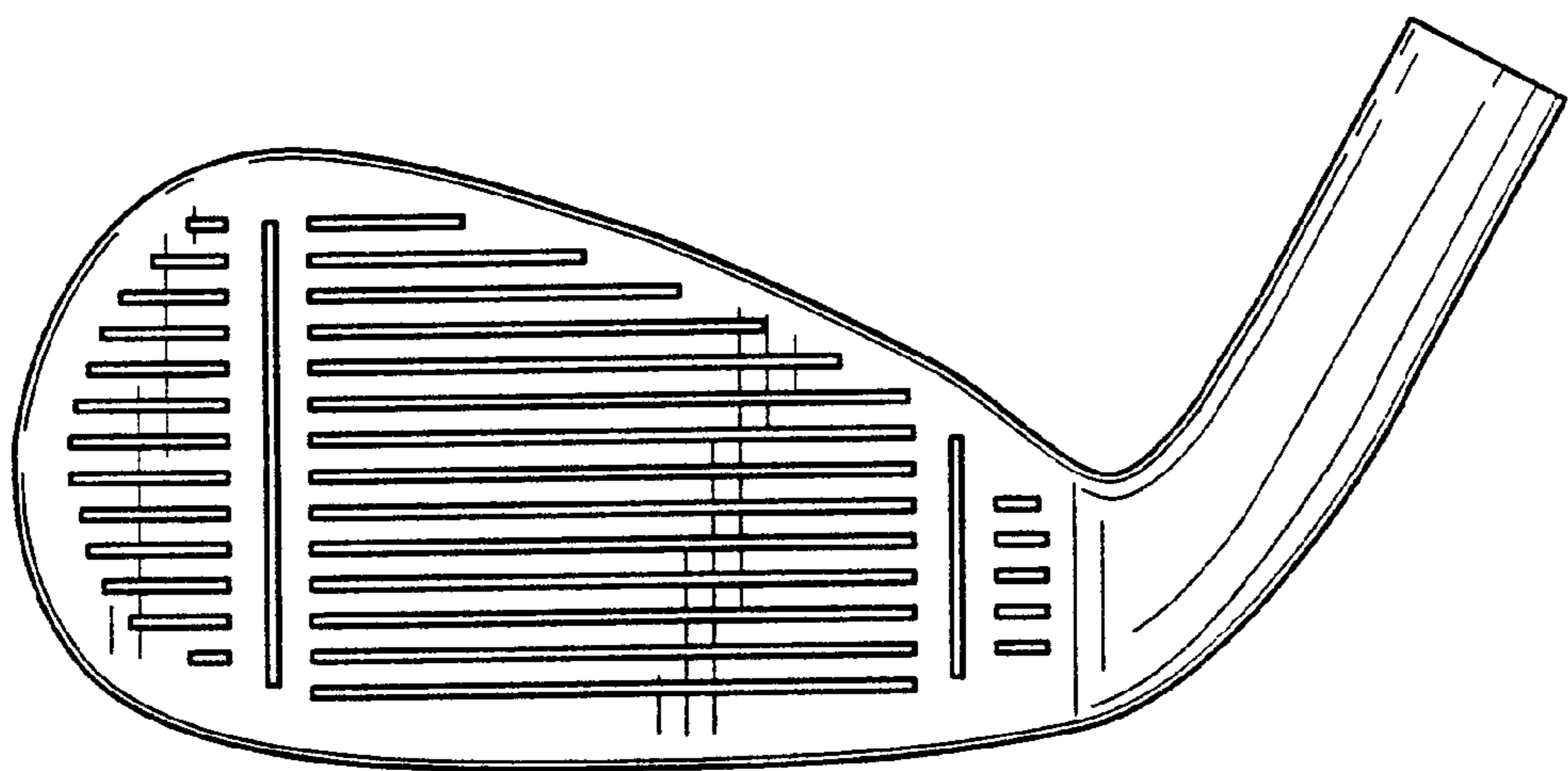


FIG. 6

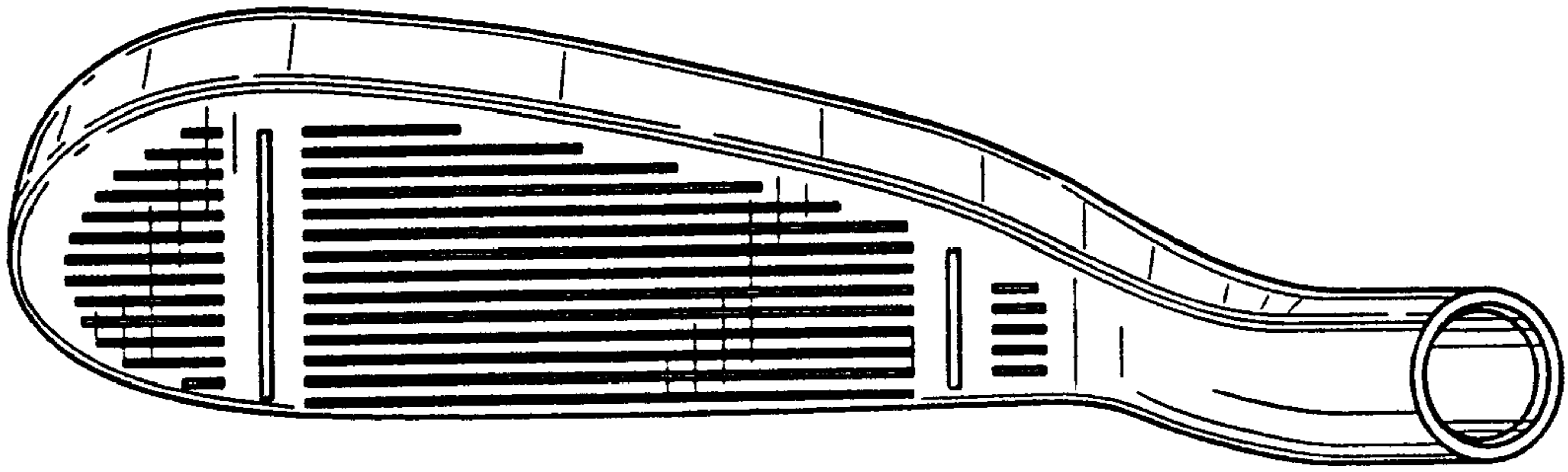


FIG. 7

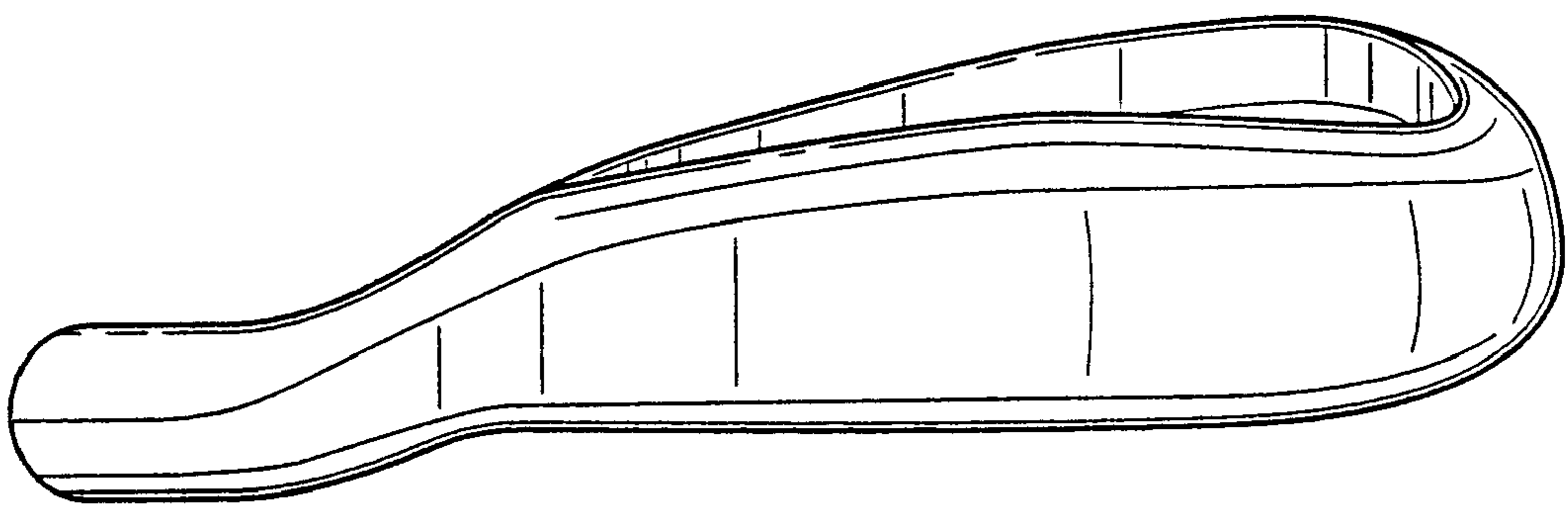


FIG. 8