



US00D438273S

(12) **United States Design Patent**
Sizemore, Jr.

(10) **Patent No.:** **US D438,273 S**

(45) **Date of Patent:** **** Feb. 27, 2001**

(54) **GOLF PUTTER HEAD**

(75) **Inventor:** **Bruce E. Sizemore, Jr., Palm Harbor, FL (US)**

(73) **Assignee:** **Bruce E. Sizemore, Jr. Golf Design, LLC, Bloomfield Hills, MI (US)**

(**) **Term:** **14 Years**

(21) **Appl. No.:** **29/122,219**

(22) **Filed:** **Mar. 10, 2000**

(51) **LOC (7) Cl.** **21-02**

(52) **U.S. Cl.** **D21/736**

(58) **Field of Search** **D21/736-746;**
473/324, 327-331, 340, 341, 251-256

(56) **References Cited**

U.S. PATENT DOCUMENTS

D. 207,228	*	3/1967	Solheim	D21/743
D. 234,961		4/1975	Swash	.	
D. 239,951	*	5/1976	Carrier	D21/742
D. 240,751		7/1976	Taylor	.	
D. 256,262		8/1980	Benson	.	
D. 315,005	*	2/1991	Solheim	D21/743
D. 318,702		7/1991	Igarashi	.	
D. 333,331		2/1993	Evans	.	
D. 337,803		7/1993	Sillers	.	
D. 342,558		12/1993	Diesterheft	.	
D. 347,253		5/1994	Cook	.	
D. 349,142		7/1994	Boone	.	
D. 350,581		9/1994	Boone	.	
D. 350,583		9/1994	Boone	.	

D. 363,327	10/1995	Greene et al.	.
D. 363,328	10/1995	Greene et al.	.
D. 364,205	11/1995	Duclos	.
D. 368,505	4/1996	Greene et al.	.
D. 368,751	4/1996	Rife	.
D. 377,675	1/1997	Abel	.
D. 384,124	9/1997	Lamanna	.
D. 399,290	10/1998	Sizemore, Jr.	.
D. 399,547	10/1998	Sizemore, Jr.	.
D. 399,899	10/1998	Sizemore, Jr.	.
5,489,097	2/1996	Simmons	.
5,533,728	7/1996	Pehoski et al.	.
5,683,307	11/1997	Rife	.

* cited by examiner

Primary Examiner—Mitchell Siegel

(74) *Attorney, Agent, or Firm*—Harness, Dickey & Pierce, P.L.C.

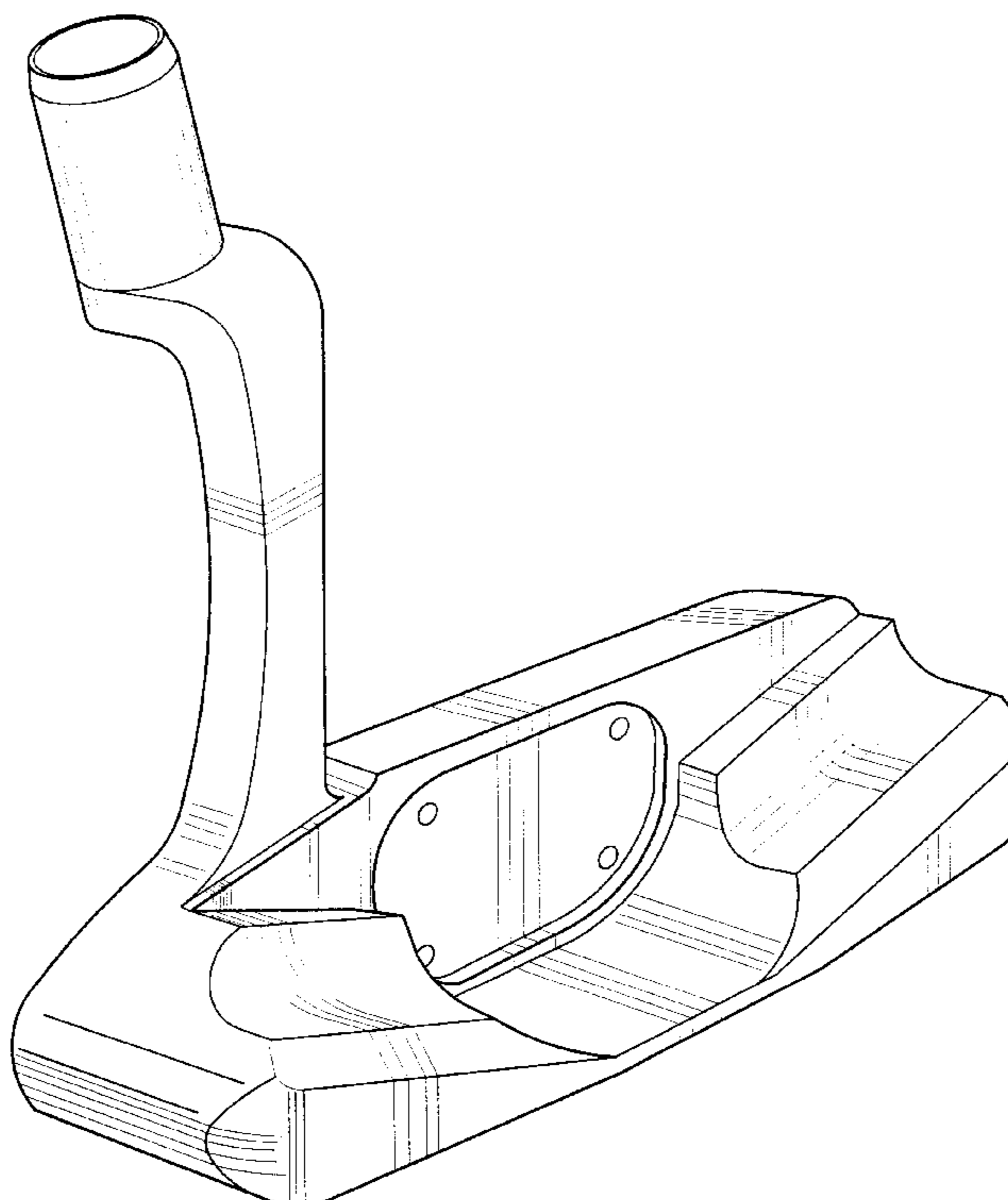
(57) **CLAIM**

The ornamental design for a golf putter head, as shown and described.

DESCRIPTION

FIG. 1 is a rear perspective view of the golf putter head of the present invention;
FIG. 2 is a front perspective view thereof;
FIG. 3 is a right side view thereof;
FIG. 4 is a left side view thereof;
FIG. 5 is a top view thereof;
FIG. 6 is a rear view thereof;
FIG. 7 is a bottom view thereof; and,
FIG. 8 is a front view thereof.

1 Claim, 4 Drawing Sheets



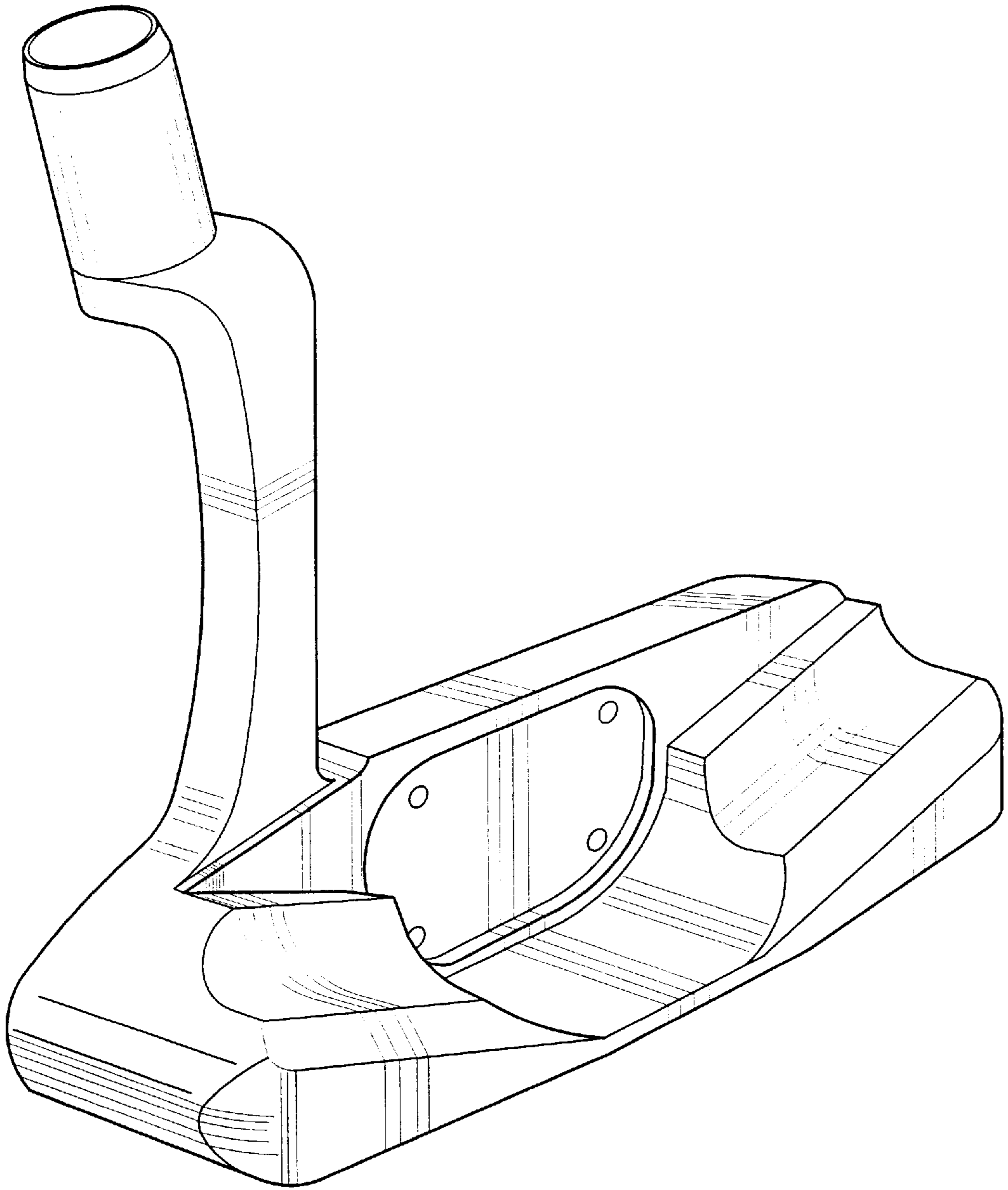


Fig-1

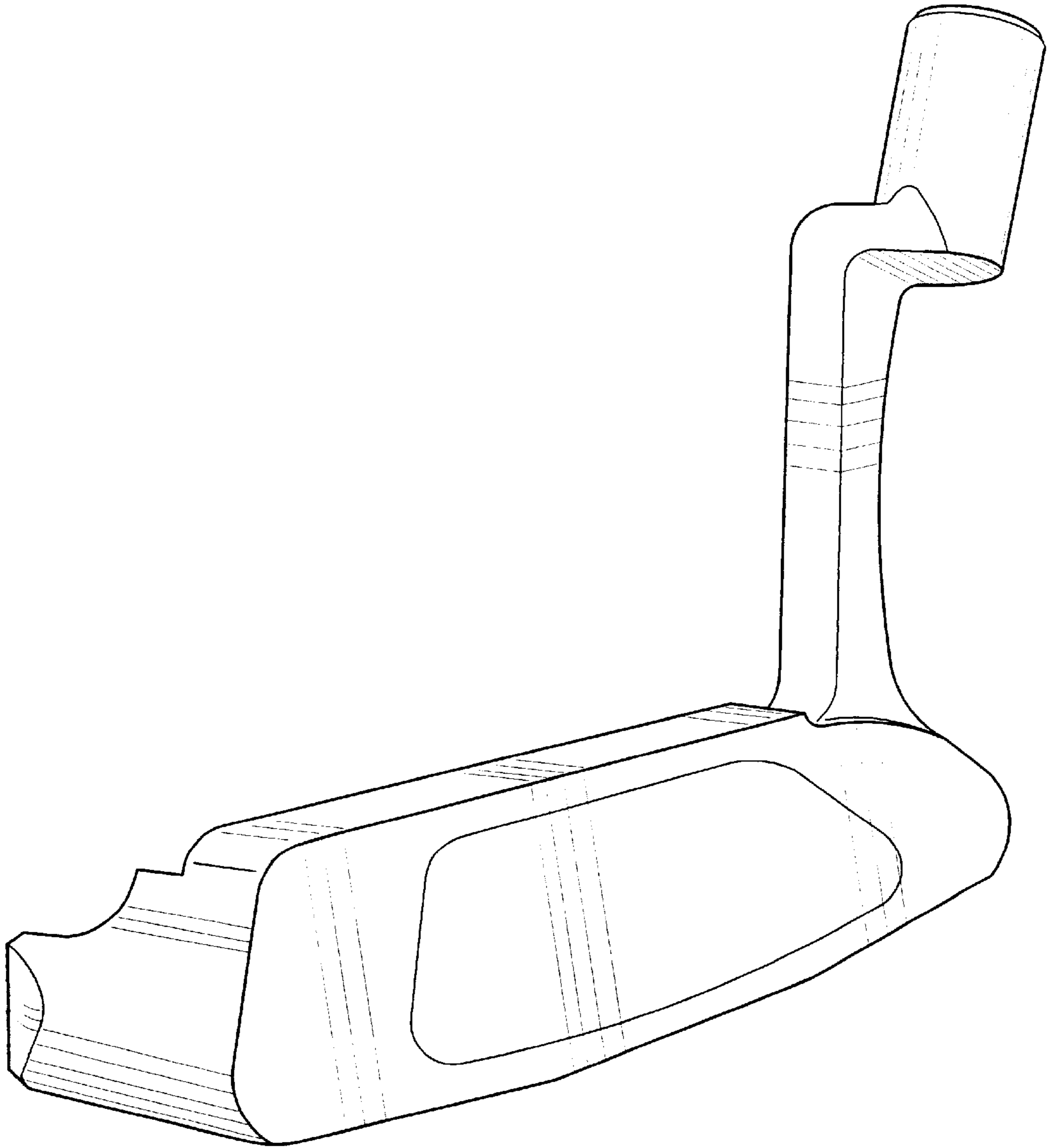


Fig-2

Fig-3

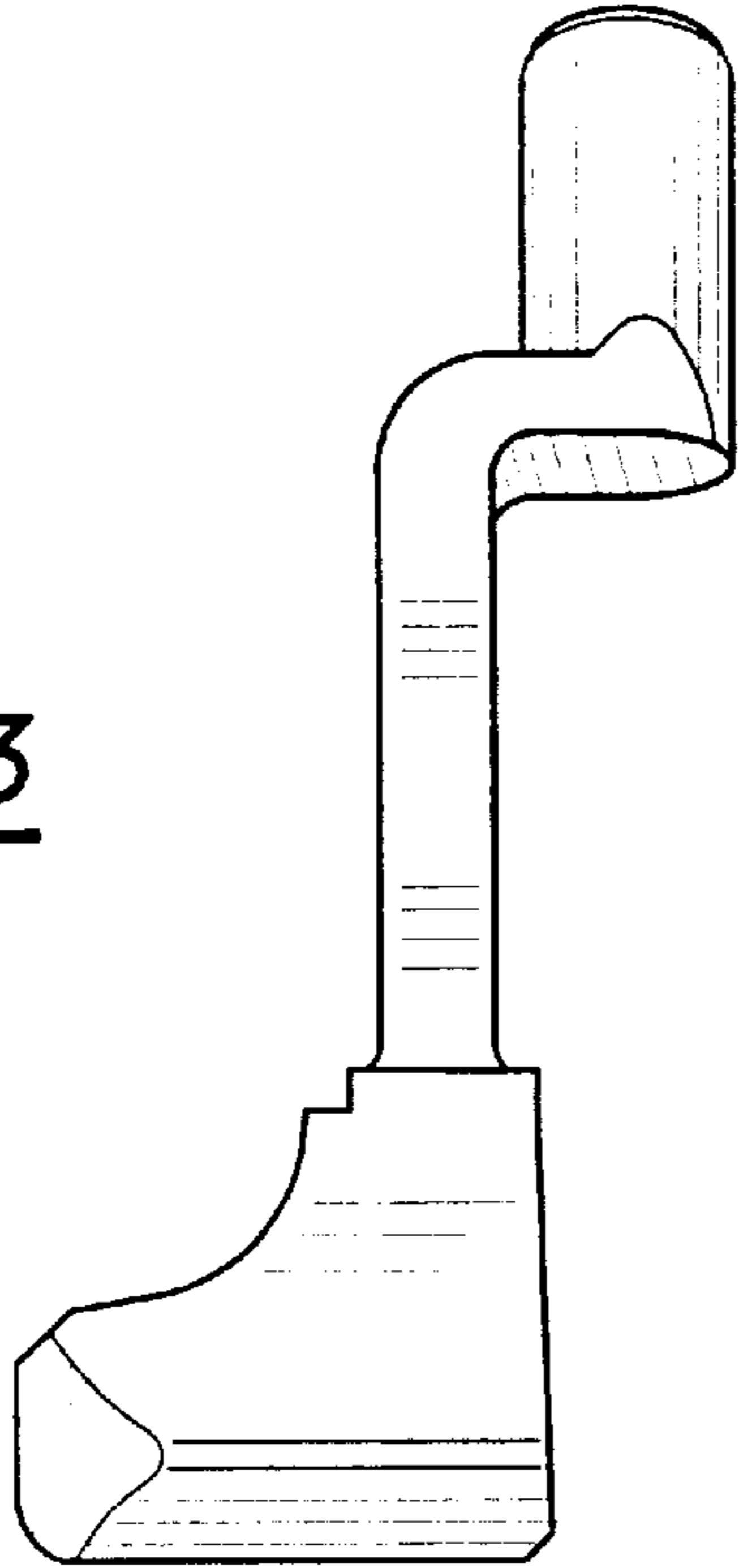


Fig-4

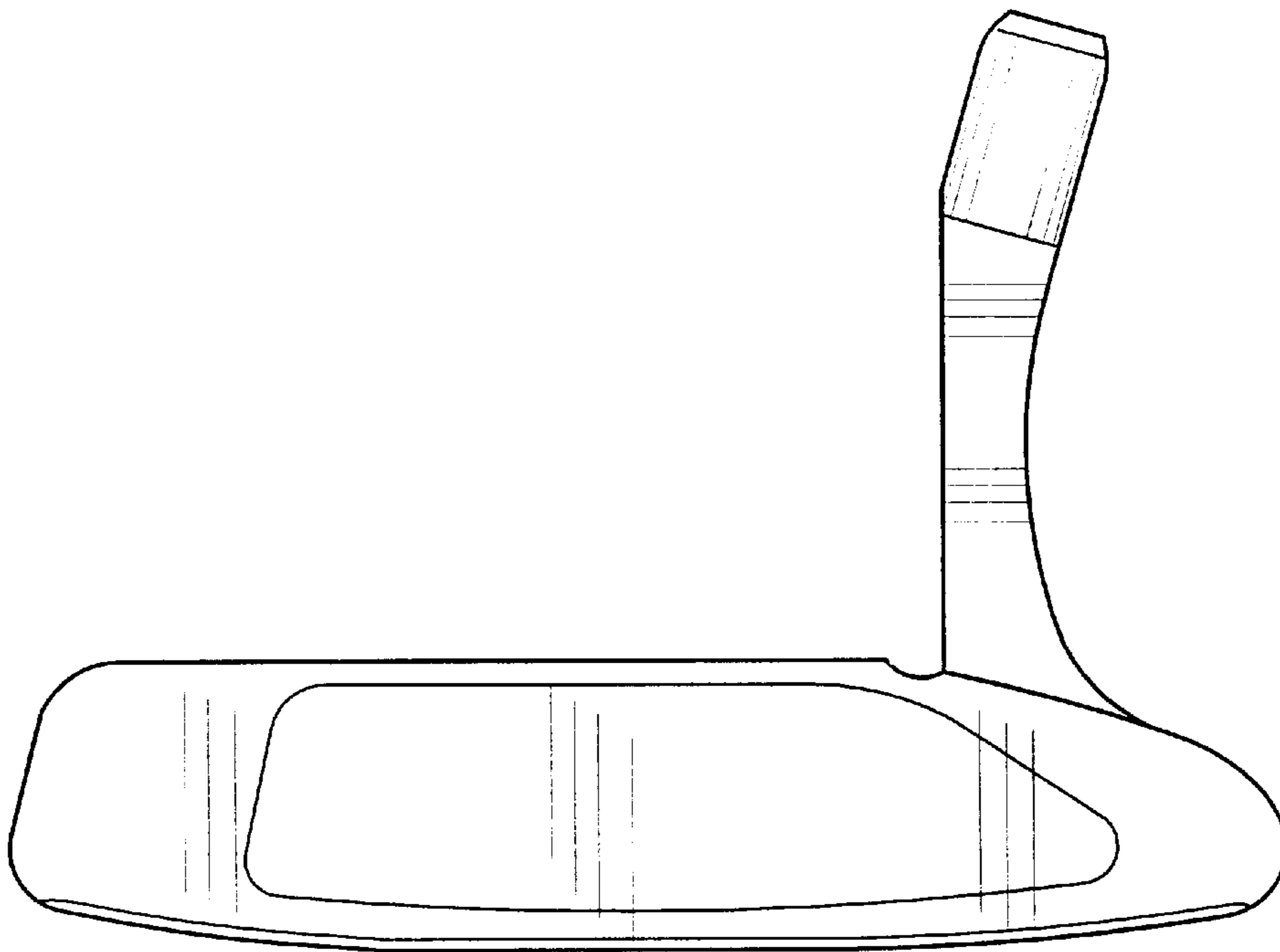
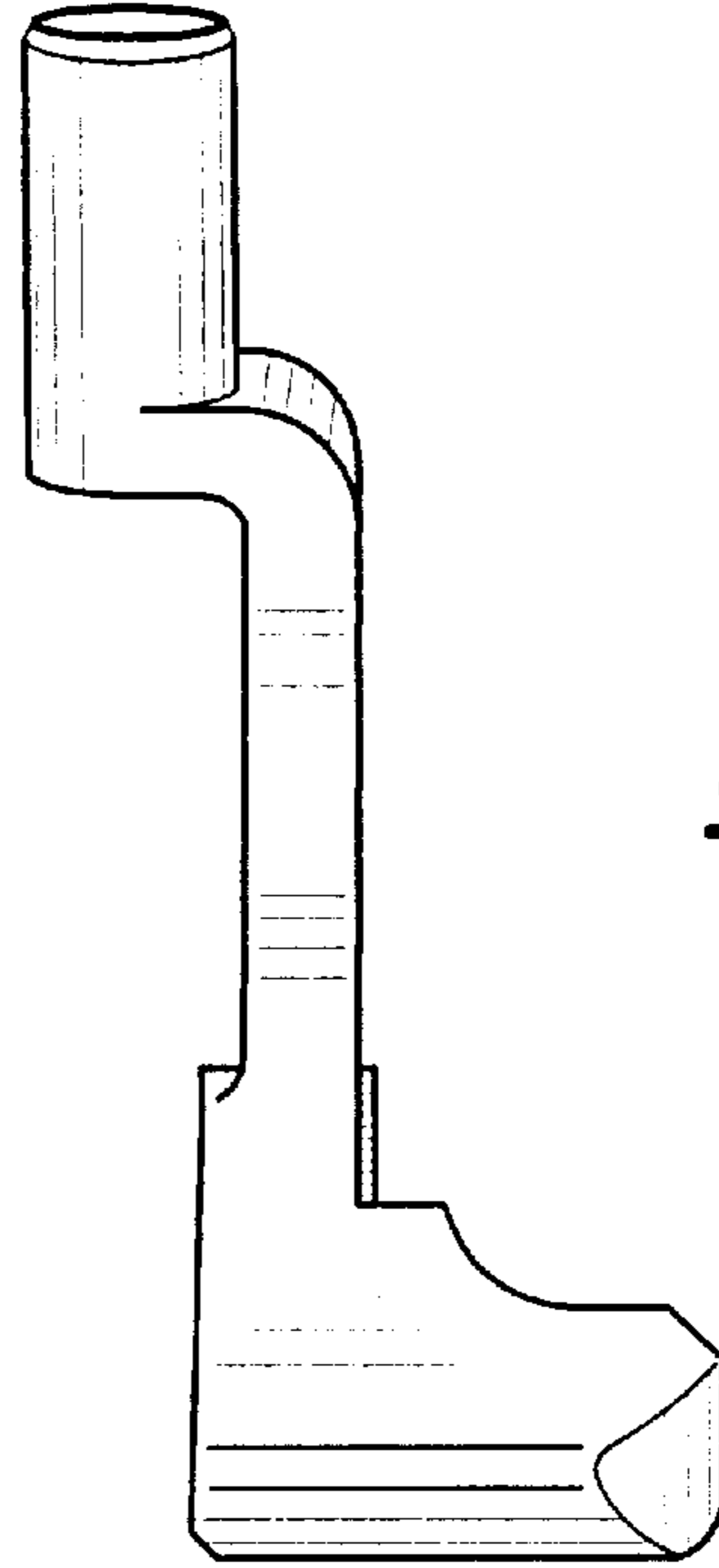


Fig-8

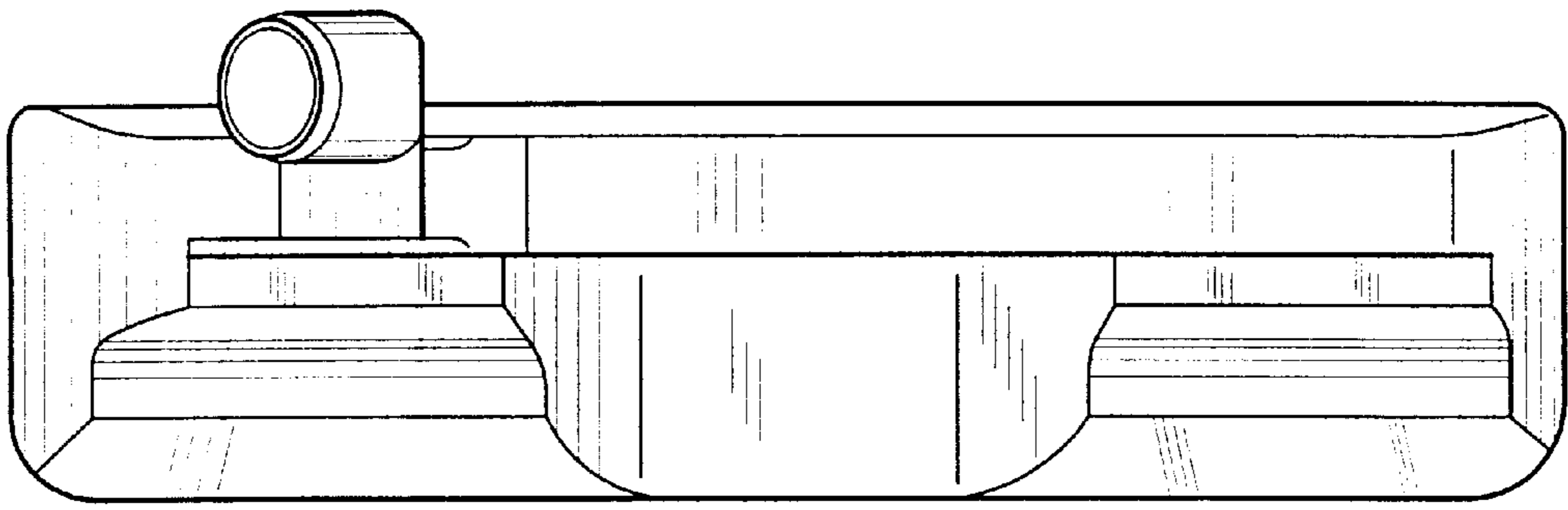


Fig-5

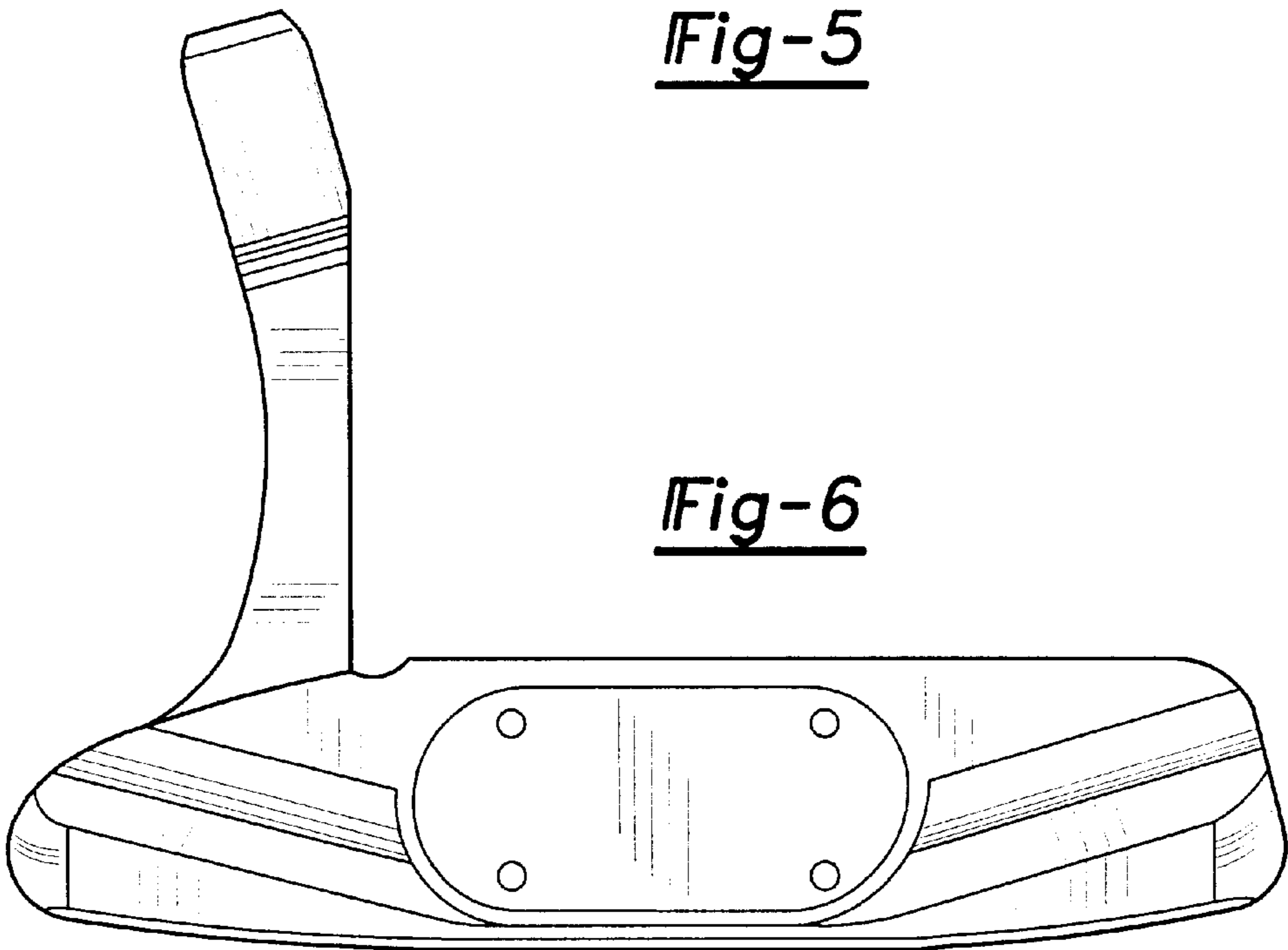


Fig-6

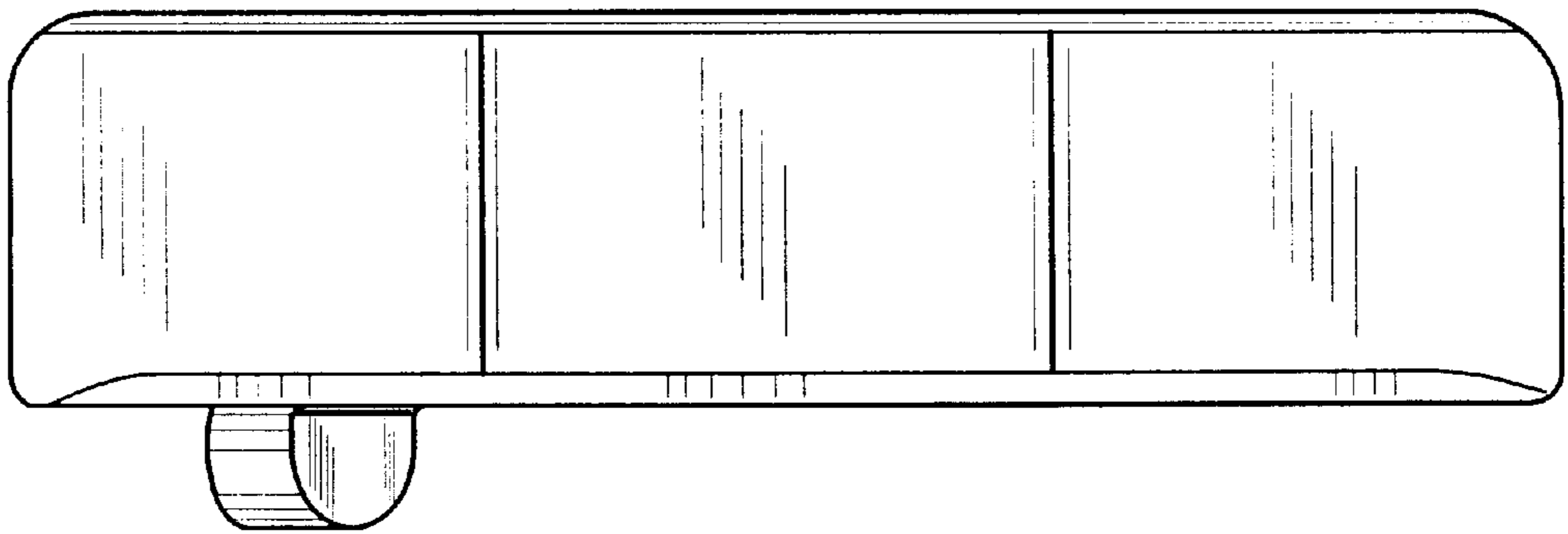


Fig-7