



US00D438268S

(12) **United States Design Patent**
Chen

(10) **Patent No.:** **US D438,268 S**

(45) **Date of Patent:** **** Feb. 27, 2001**

(54) **STEPPER**

(76) **Inventor:** **Tsung-Yu Chen**, No. 23-4, Dingliau,
Sanhe Tsuen, Shueishang Shiang, Chiai
(TW)

(**) **Term:** **14 Years**

(21) **Appl. No.:** **29/120,286**

(22) **Filed:** **Mar. 17, 2000**

(51) **LOC (7) Cl.** **21-02**

(52) **U.S. Cl.** **D21/694**

(58) **Field of Search** D21/662, 663,
D21/668, 670, 694, 697; 482/51, 52, 57

(56) **References Cited**

U.S. PATENT DOCUMENTS

D. 341,859	*	11/1993	Easley et al.	D21/670
D. 354,321	*	1/1995	Clem	D21/670
D. 355,006	*	1/1995	Lo	D21/670
D. 355,228	*	2/1995	Hung	D21/670
5,295,927	*	3/1994	Easley et al.	482/52

5,395,294	*	3/1995	Clem	482/52
5,584,782	*	12/1996	Szabo et al.	482/52
5,679,100	*	10/1997	Charnitski	482/51

* cited by examiner

Primary Examiner—Philip S. Hyder

(74) *Attorney, Agent, or Firm*—Rosenberg, Klein & Lee

(57) **CLAIM**

The ornamental design for a stepper, as shown and described.

DESCRIPTION

FIG. 1 is a perspective view of a stepper showing my new design;

FIG. 2 is a front elevational view thereof;

FIG. 3 is a rear elevational view thereof;

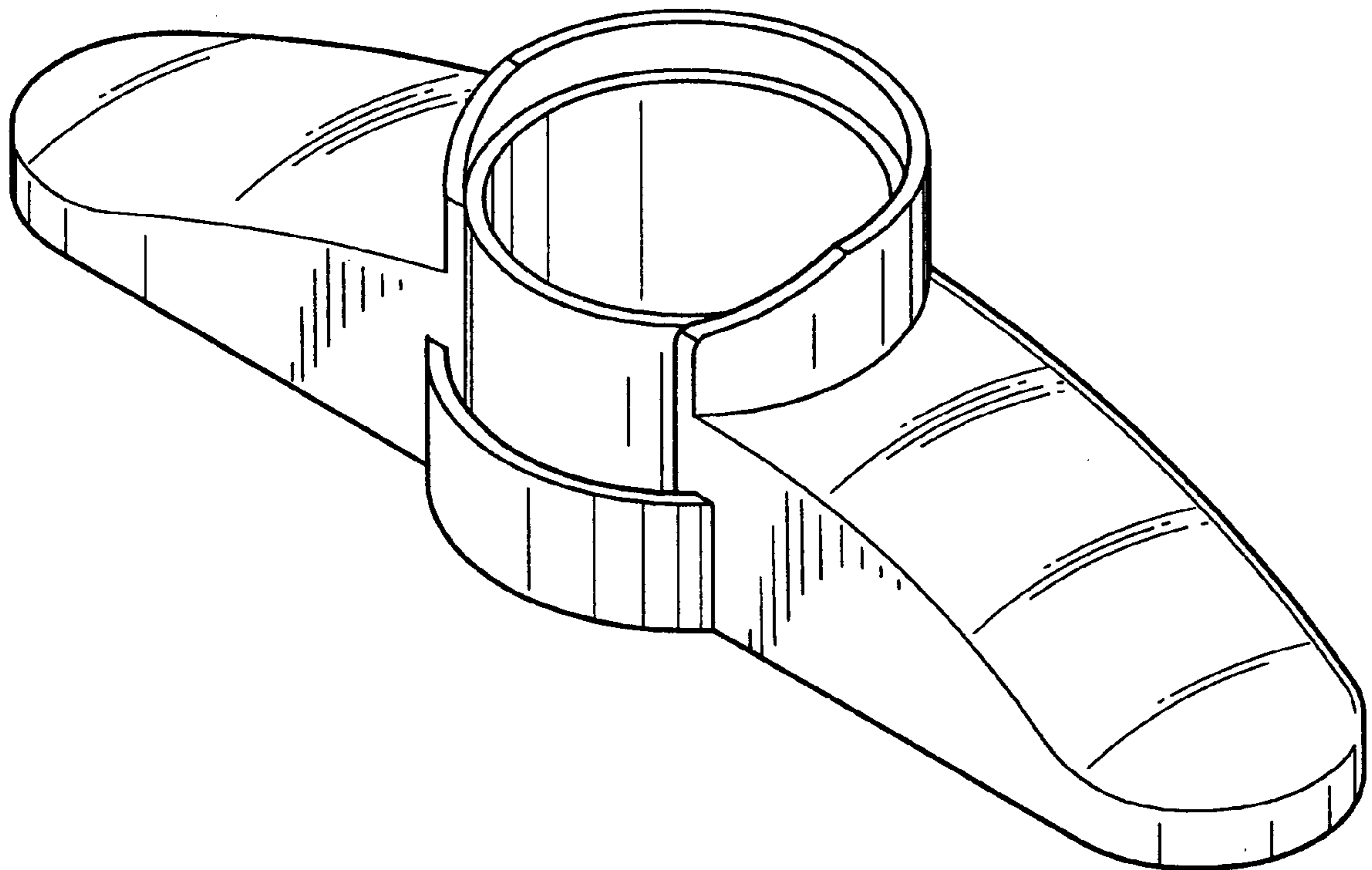
FIG. 4 is a left side elevational view thereof;

FIG. 5 is a right side elevational view thereof;

FIG. 6 is a top side elevational view thereof; and,

FIG. 7 is a bottom side elevational view thereof.

1 Claim, 4 Drawing Sheets



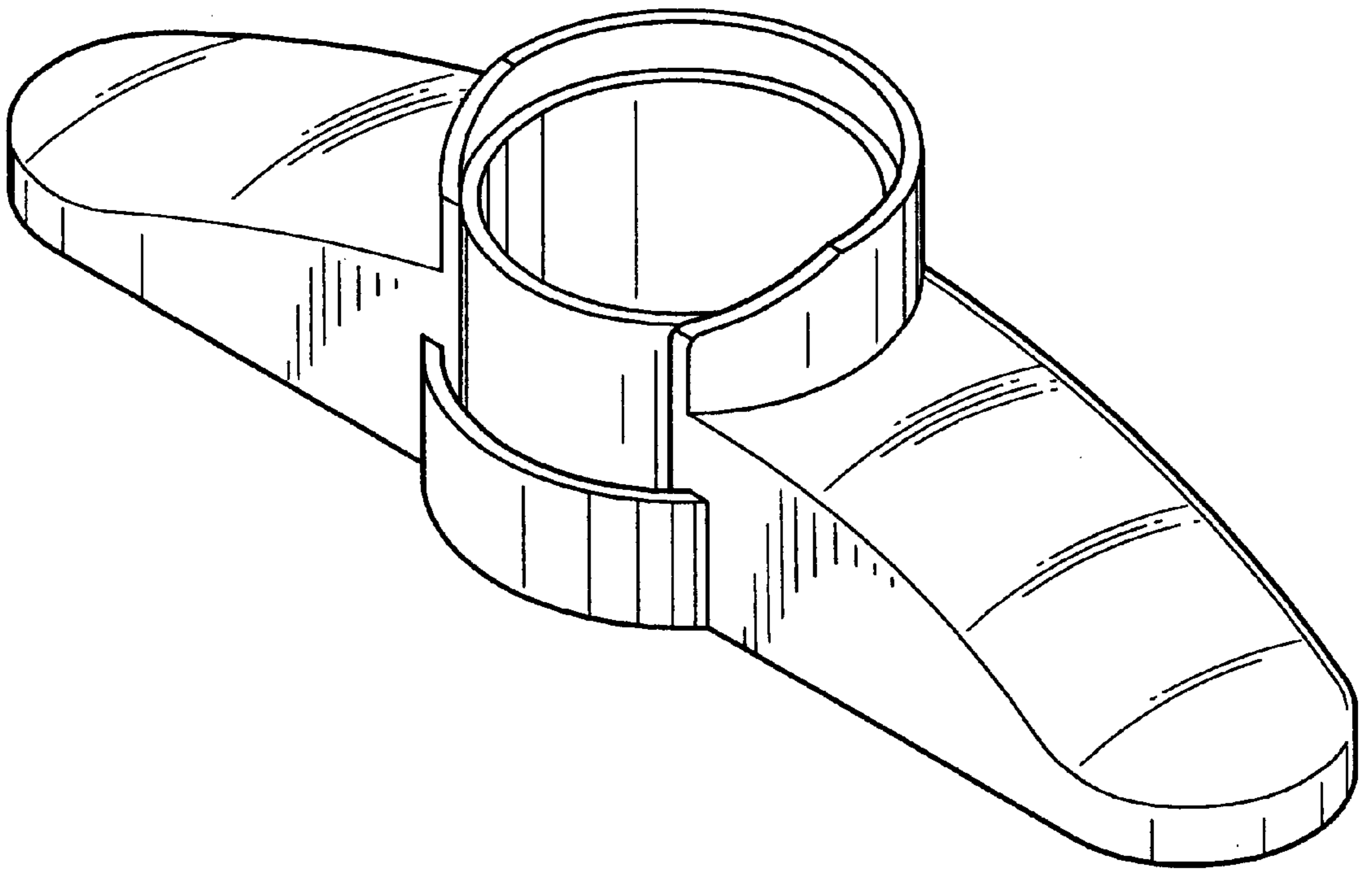


FIG. 1

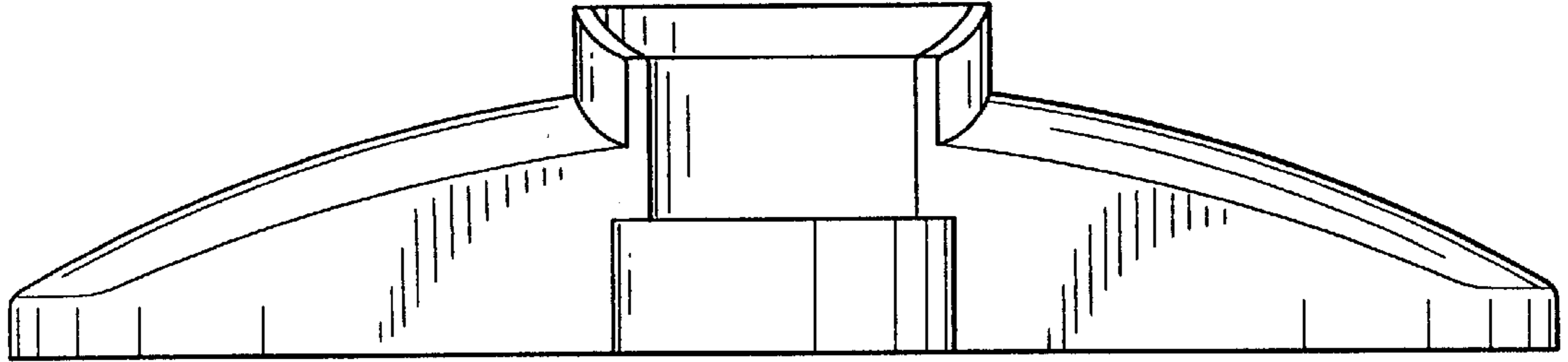


FIG. 2

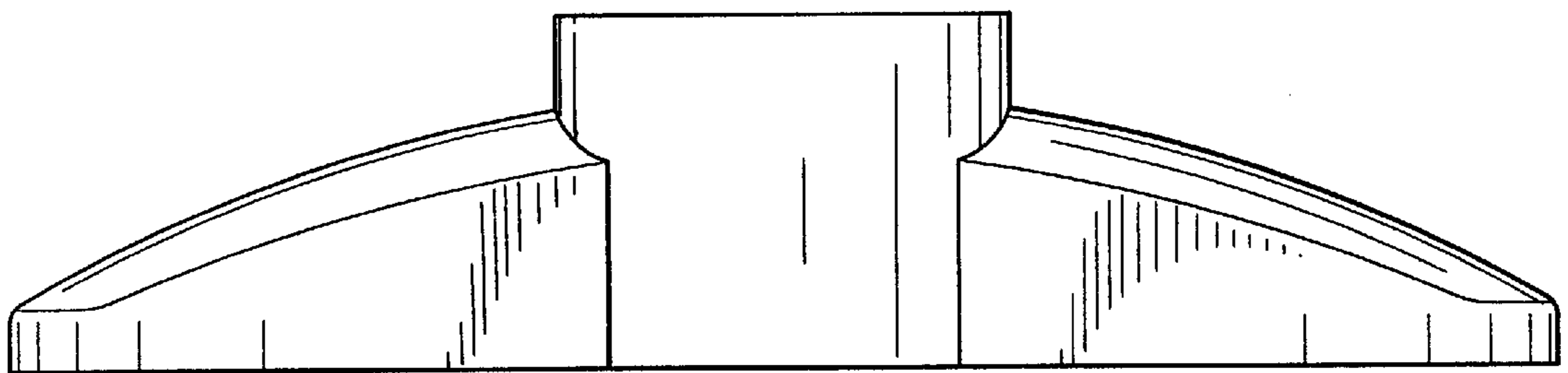


FIG. 3

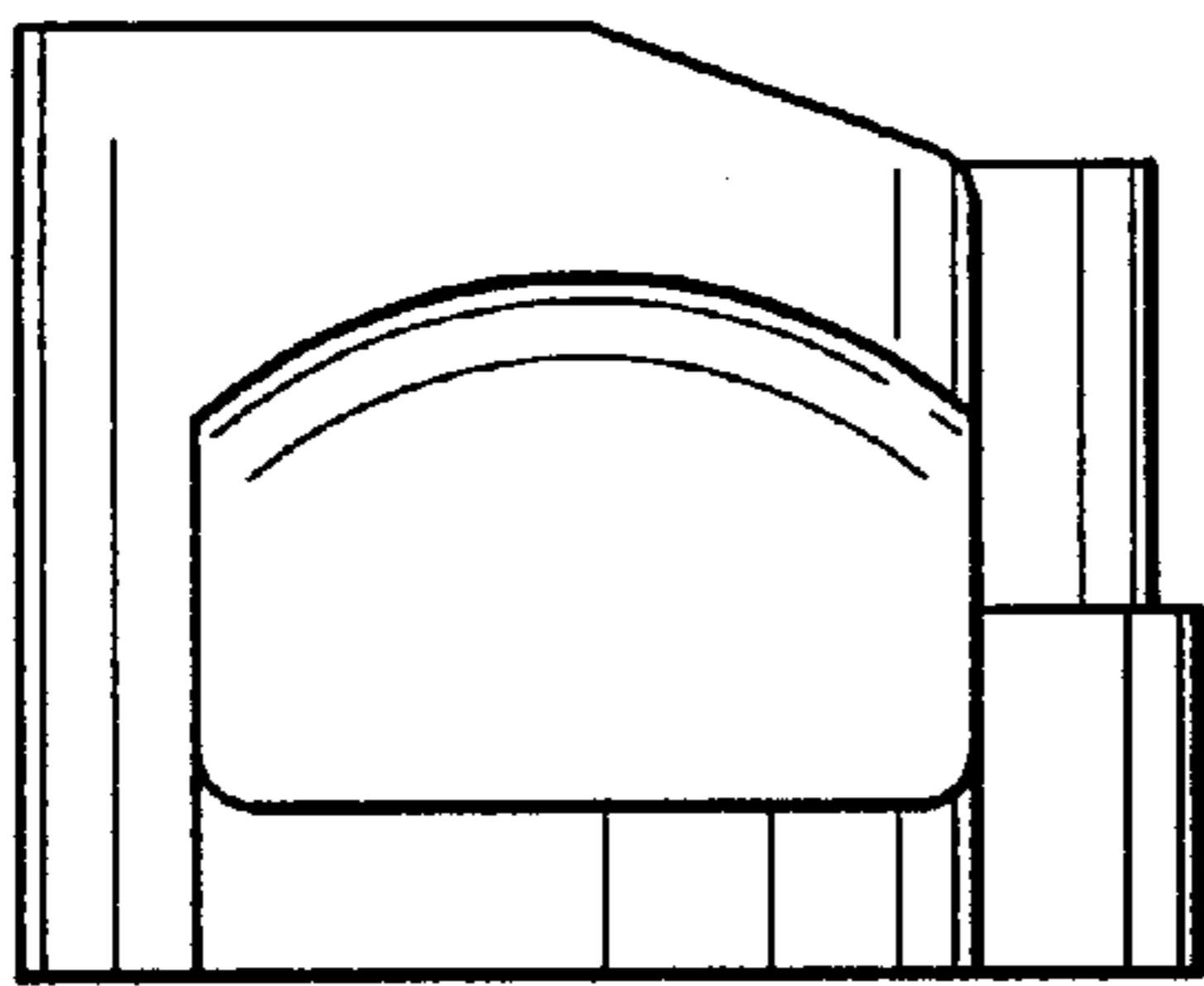


FIG. 4

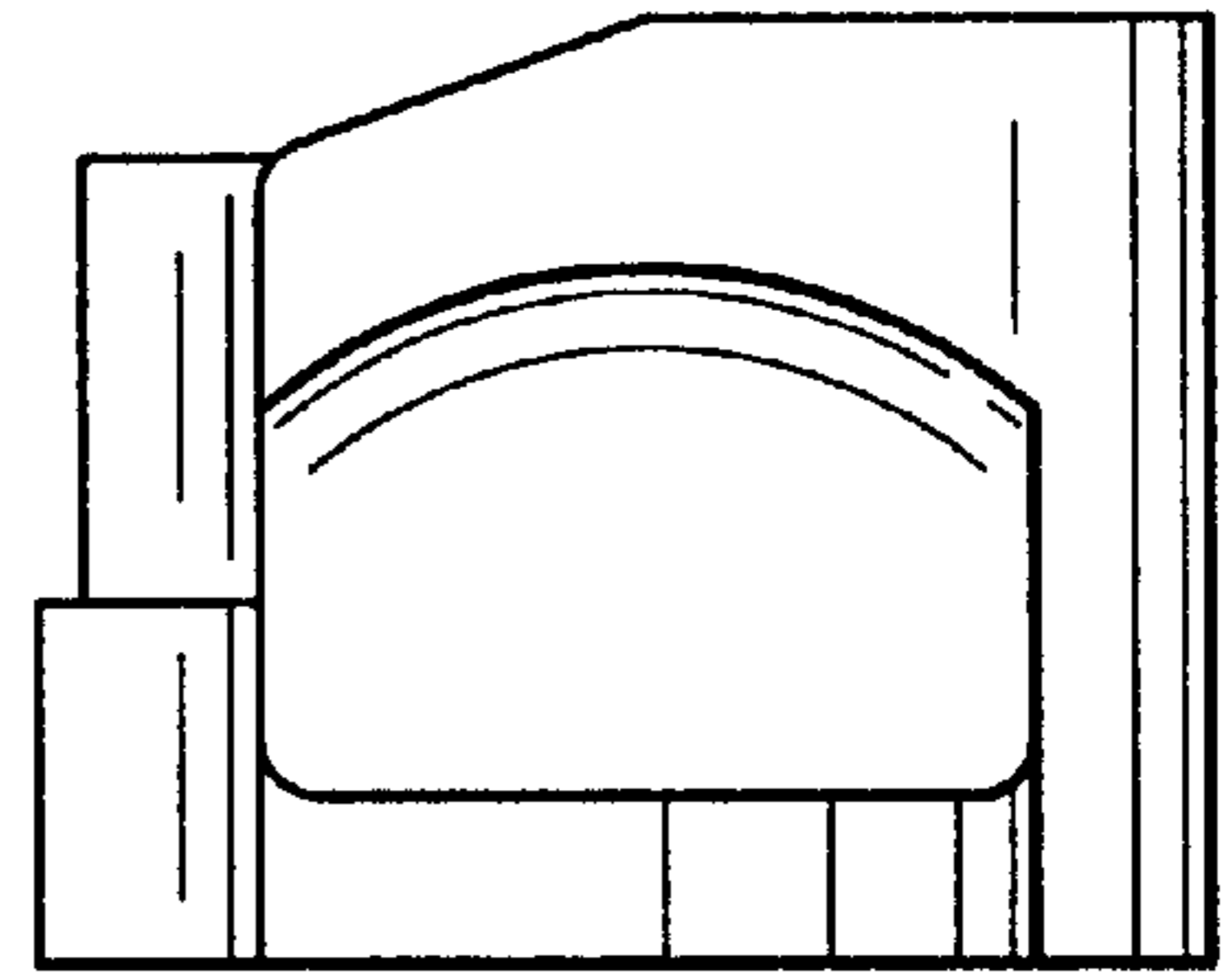


FIG. 5

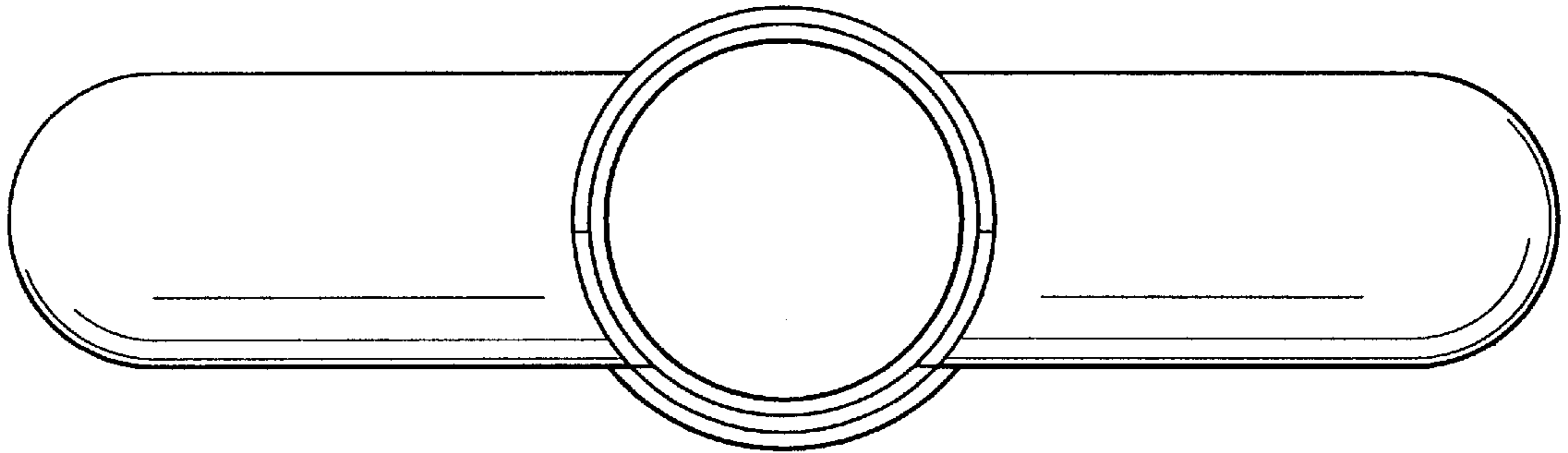


FIG. 6

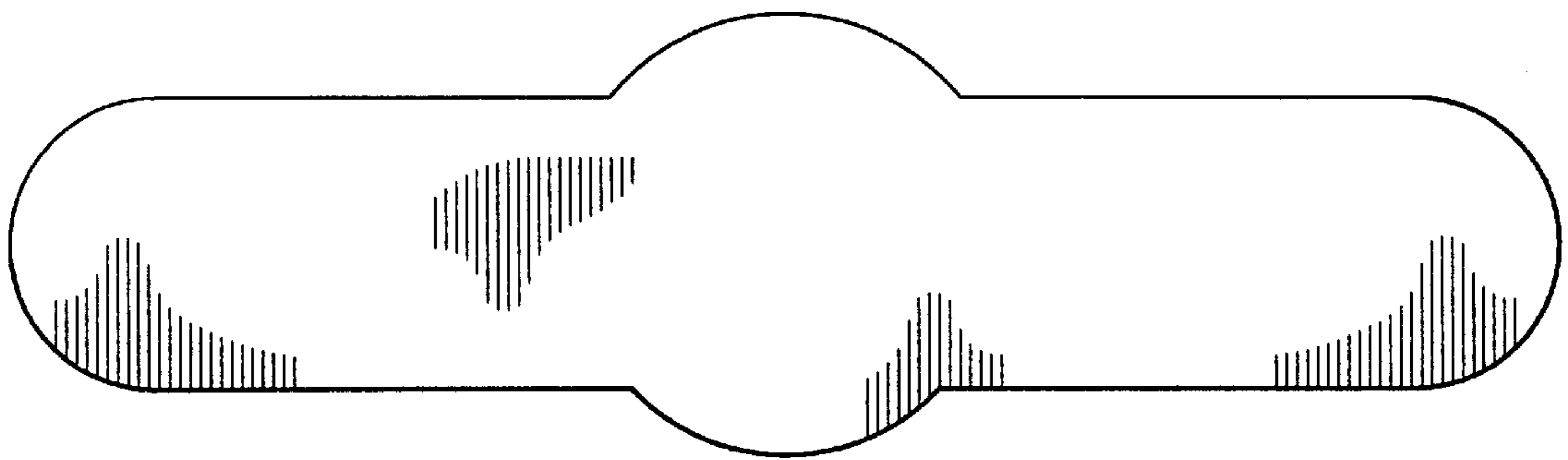


FIG. 7