



US00D438267S

(12) **United States Design Patent**
Webber et al.

(10) **Patent No.:** **US D438,267 S**

(45) **Date of Patent:** **** Feb. 27, 2001**

(54) **WEIGHT STACK FRAME**

5,580,341 * 12/1996 Simonson 482/100
5,624,353 * 4/1997 Nadius 482/97
5,931,767 * 8/1999 Morales 482/102

(75) Inventors: **Randall T. Webber**, San Diego;
George M. Zink, Escondido, both of
CA (US)

OTHER PUBLICATIONS

(73) Assignee: **Hoist Fitness Systems**, San Diego, CA
(US)

Icarian Brochure, late 1990's (exact date unknown).
Arm Curl Product #4535 and Arm Extension Product #4540,
Cybex Brochure, 1995.
Overhead Press Product #4525, Cybex Brochure, 1995.
Shoulder Press, Life Fitness Brochure, 1997, 2 pgs.
Exercise Machine, Hoist Fitness Systems, late 1980's, 2 pgs.

(**) Term: **14 Years**

* cited by examiner

(21) Appl. No.: **29/114,482**

(22) Filed: **Nov. 23, 1999**

Primary Examiner—Philip S. Hyder

(51) **LOC (7) Cl.** **21-02**

(74) *Attorney, Agent, or Firm*—Brown, Martin, Haller
& McClain, LLP

(52) **U.S. Cl.** **D21/694; D21/686**

(58) **Field of Search** D21/662, 694,
D21/673, 674, 675, 676, 691; 482/92, 93,
94, 95, 97, 104, 133, 135

(57) **CLAIM**

The ornamental design for a weight stack frame, as shown.

(56) **References Cited**

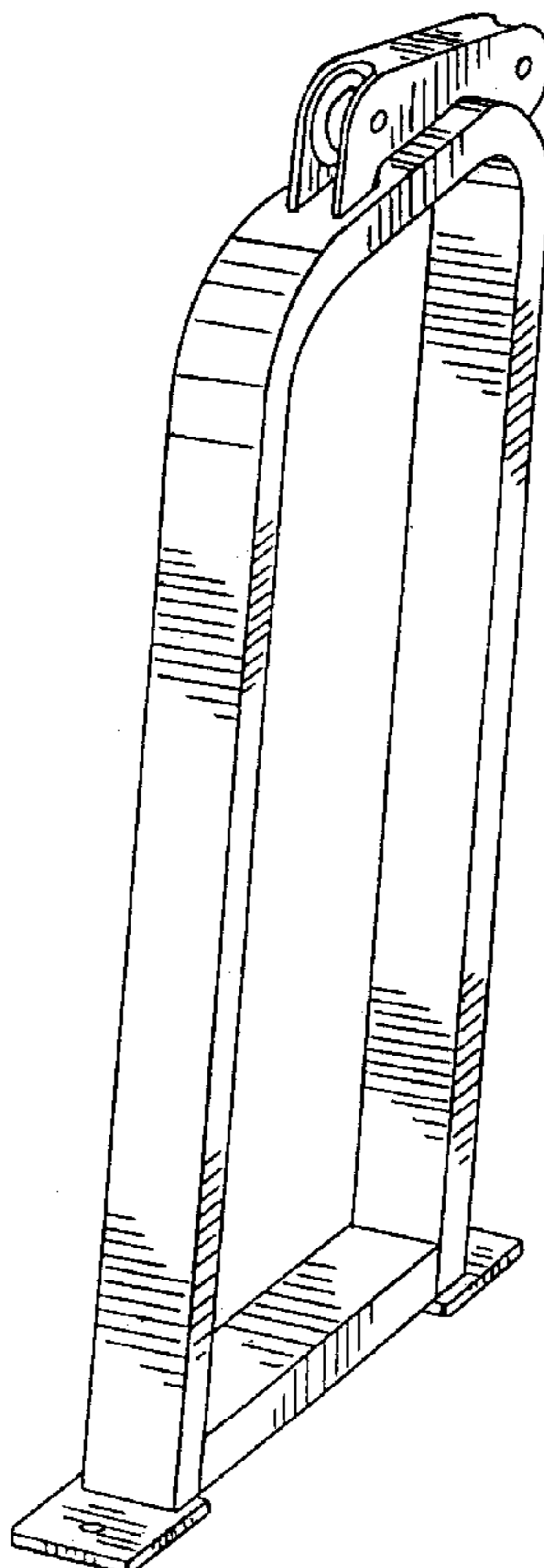
DESCRIPTION

U.S. PATENT DOCUMENTS

D. 330,238	*	10/1992	Desiderio	D21/675
D. 358,183	*	5/1995	Habing et al.	D21/675
D. 420,073	*	2/2000	Alessandri	D21/691
4,600,189	*	7/1986	Olchansky et al.	482/99
5,322,489	*	6/1994	Webb et al.	482/133
5,437,589	*	8/1995	Habing	482/135
5,447,480	*	9/1995	Fulks	482/99
5,549,530	*	8/1996	Fulks	482/100

FIG. 1 is a side elevational view of a weight stack frame showing our new design, wherein the broken line showing of the weight stack and exercise machine is for illustrative purposes only and forms no part of the claimed design; FIG. 2 is a rear perspective view of the weight stack frame; FIG. 3 is a front view thereof; and, FIG. 4 is a top plan view thereof.

1 Claim, 1 Drawing Sheet



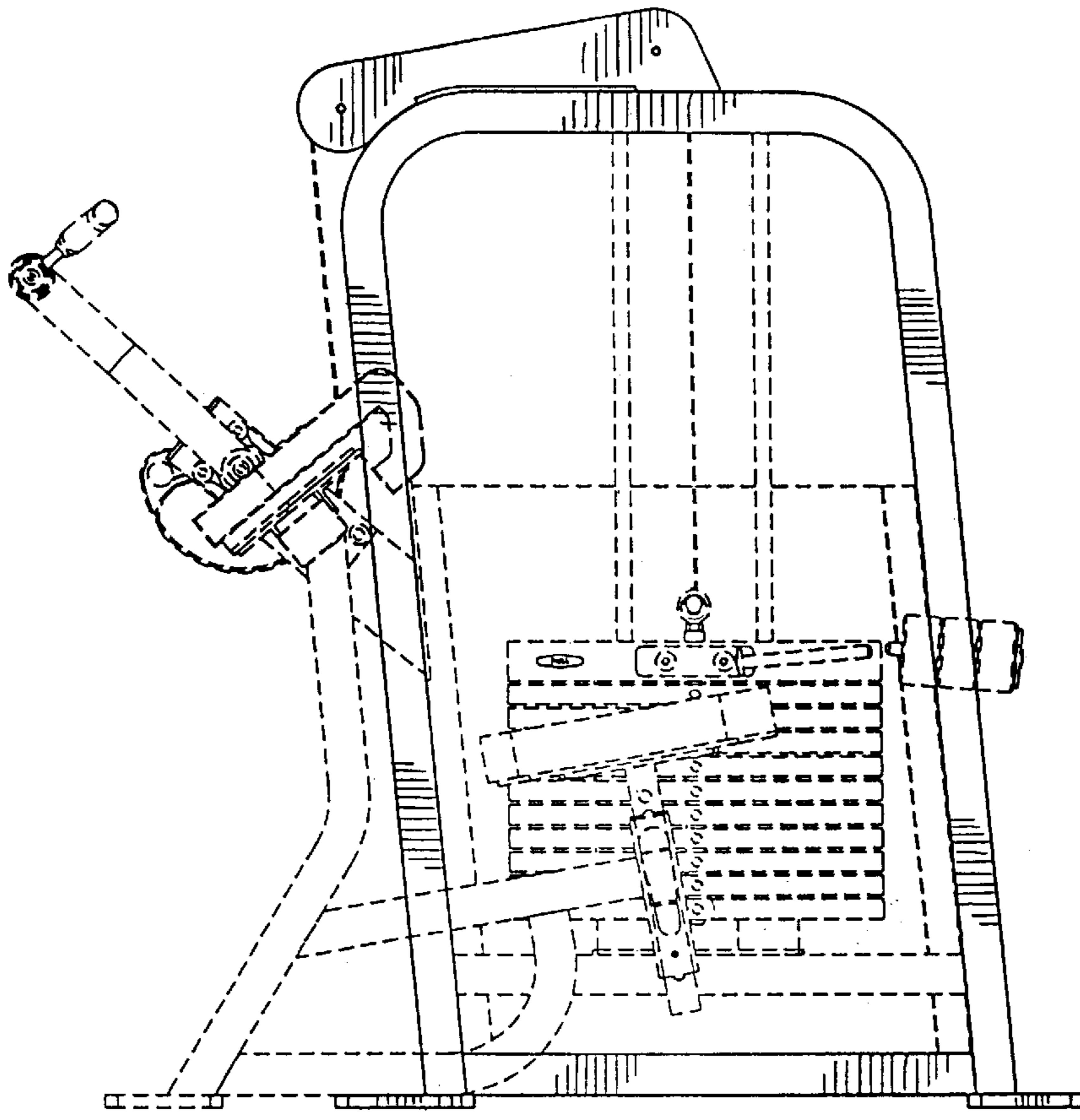


FIG. 1

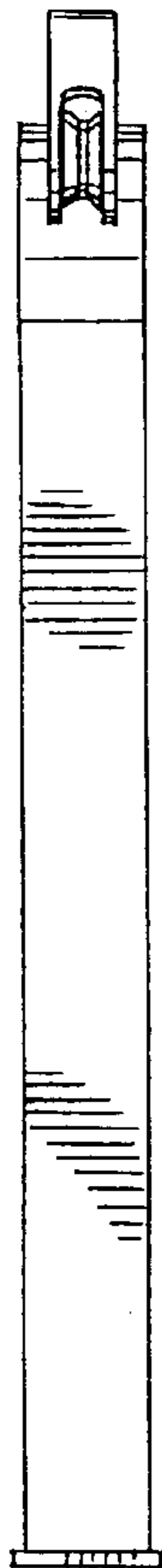


FIG. 3

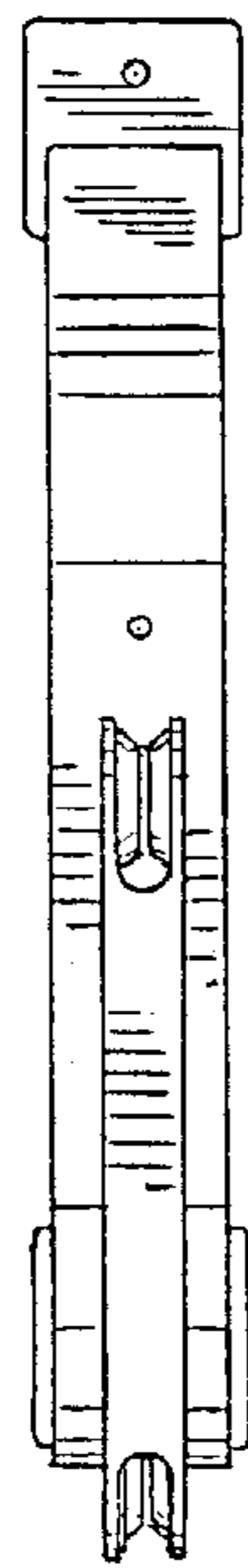


FIG. 4

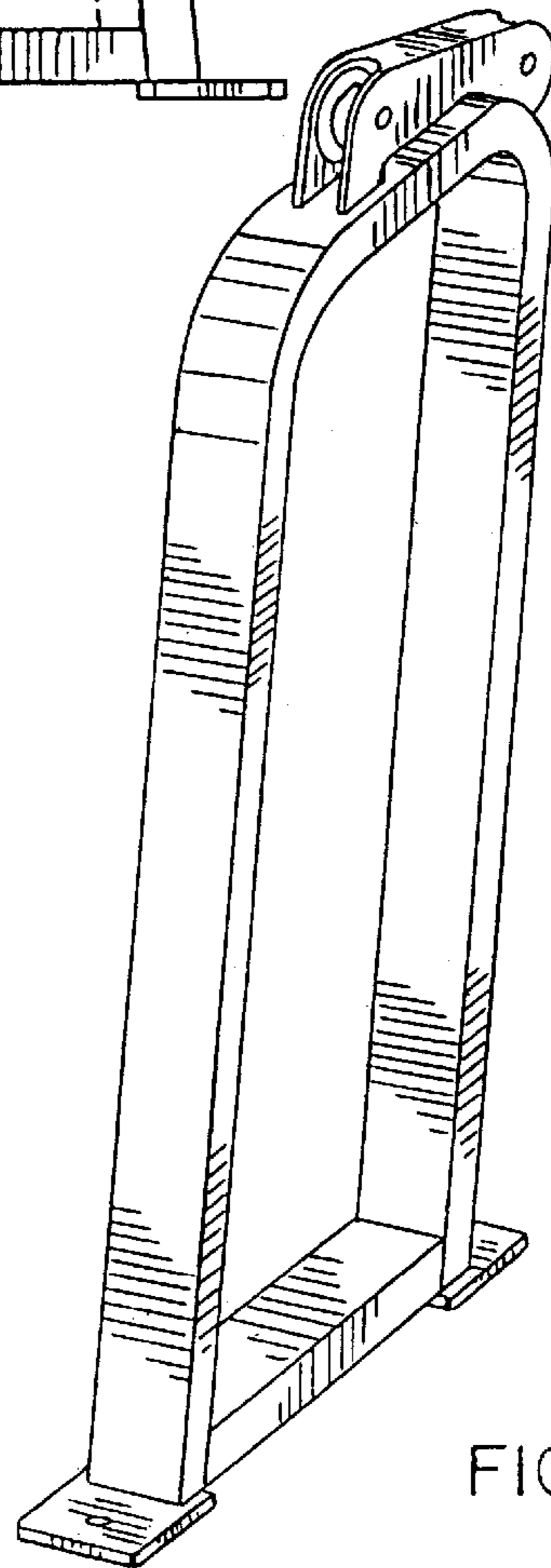


FIG. 2