



US00D438266S

(12) **United States Design Patent**
Levrett

(10) **Patent No.:** **US D438,266 S**

(45) **Date of Patent:** **** Feb. 27, 2001**

(54) **EXERCISE APPARATUS**

(76) **Inventor:** **Mark Levrett**, 895 Bergin Way, Sparks, NV (US) 89431

(**) **Term:** **14 Years**

(21) **Appl. No.:** **29/121,228**

(22) **Filed:** **Mar. 31, 2000**

(51) **LOC (7) Cl.** **21-02**

(52) **U.S. Cl.** **D21/684; D21/692**

(58) **Field of Search** **D21/662, 684, D21/692; 482/44, 49, 121, 122, 126, 128**

(56) **References Cited**

U.S. PATENT DOCUMENTS

D. 264,739	*	6/1982	Cooper	D21/684
D. 381,718	*	7/1997	Armstrong	D21/684
D. 403,723	*	1/1999	Coe	D21/684
4,513,962	*	4/1985	Robson et al.	482/44
4,553,746	*	11/1985	Lee	482/49

4,634,114 * 1/1987 Garcia 482/49

4,726,580 * 2/1988 Batiste et al. 482/49

5,409,436 * 4/1995 Chang 482/49

* cited by examiner

Primary Examiner—Philip S. Hyder

(74) *Attorney, Agent, or Firm*—Brian C. Kelly JD LLM

(57) **CLAIM**

The ornamental design for an exercise apparatus as shown.

DESCRIPTION

FIG. 1 is a perspective view from rear above of the exercise apparatus.

FIG. 2 is a left side view of the exercise apparatus.

FIG. 3 is a right side view of exercise apparatus.

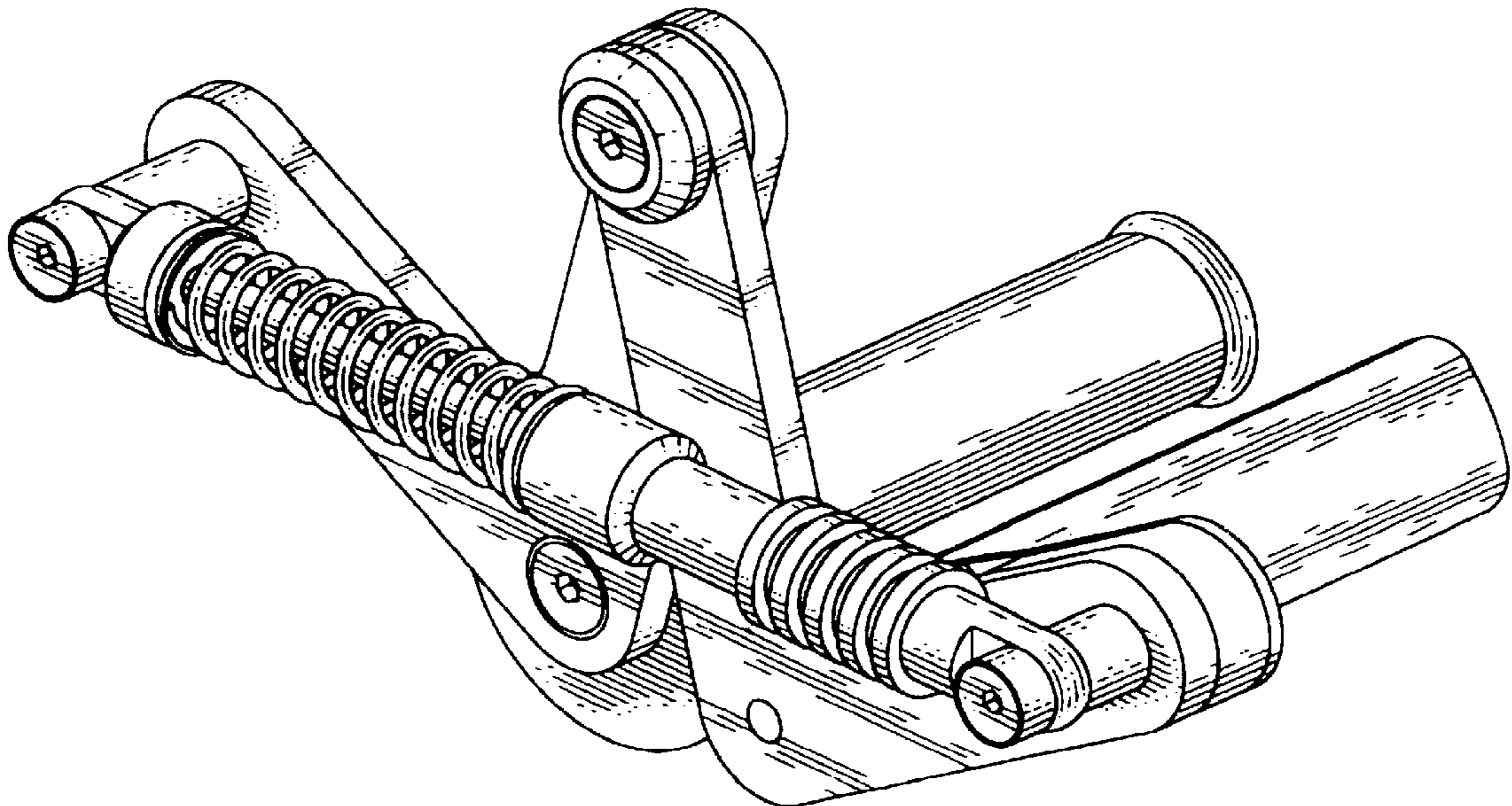
FIG. 4 is a top view of the exercise apparatus.

FIG. 5 is a rear view of the exercise apparatus.

FIG. 6 is a bottom view of the exercise apparatus; and,

FIG. 7 is a front view of the exercise apparatus.

1 Claim, 3 Drawing Sheets



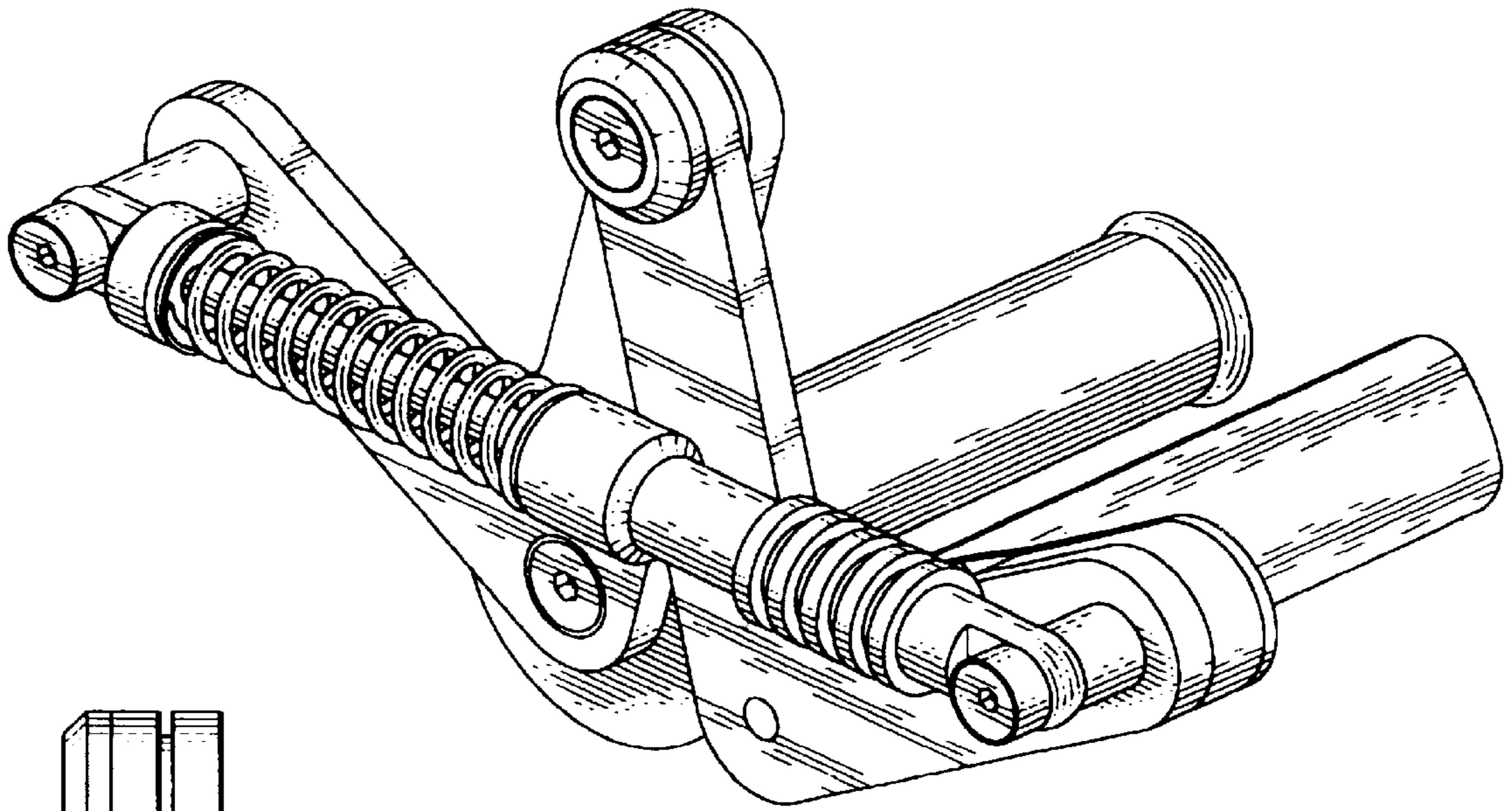


Fig. 1

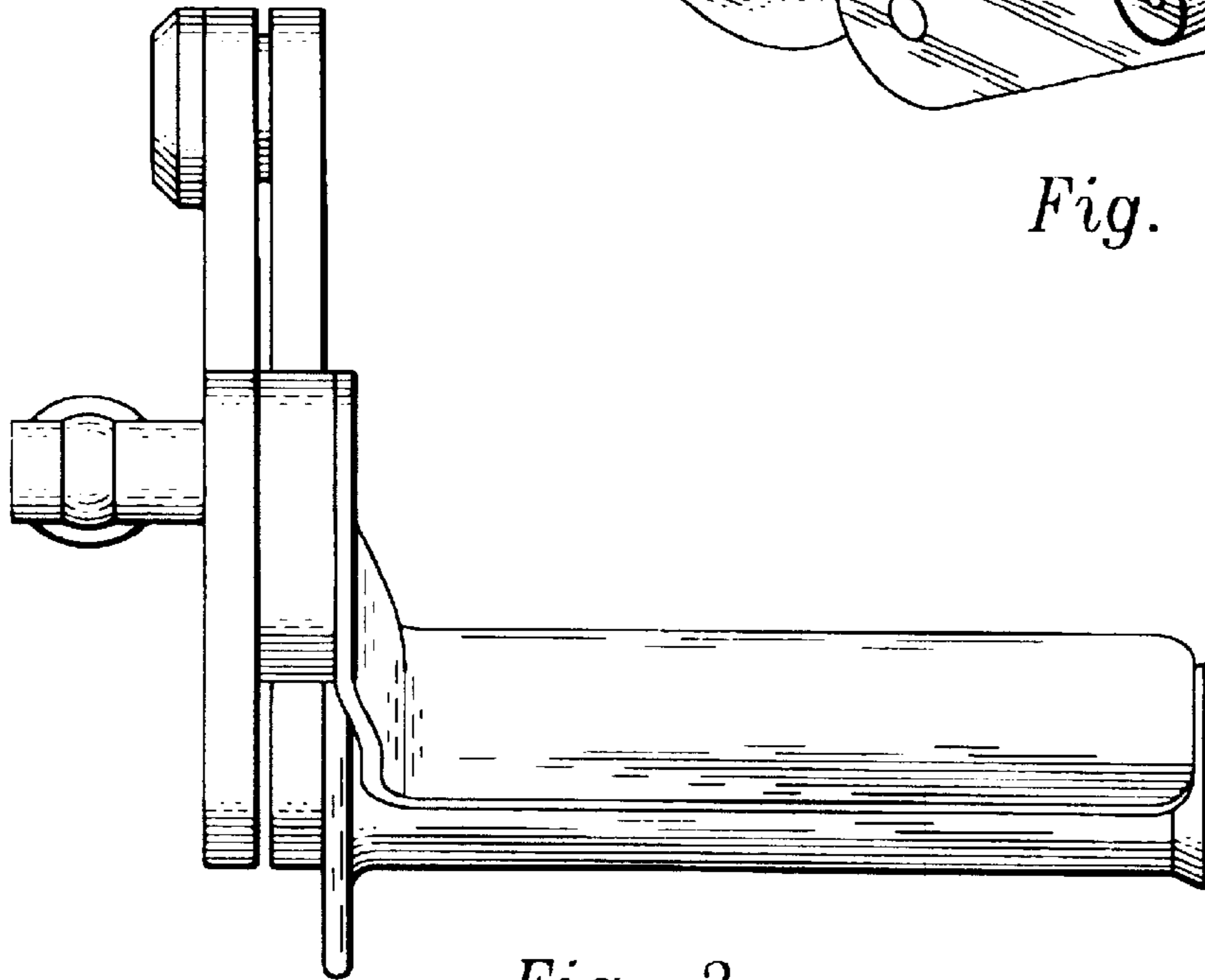


Fig. 2

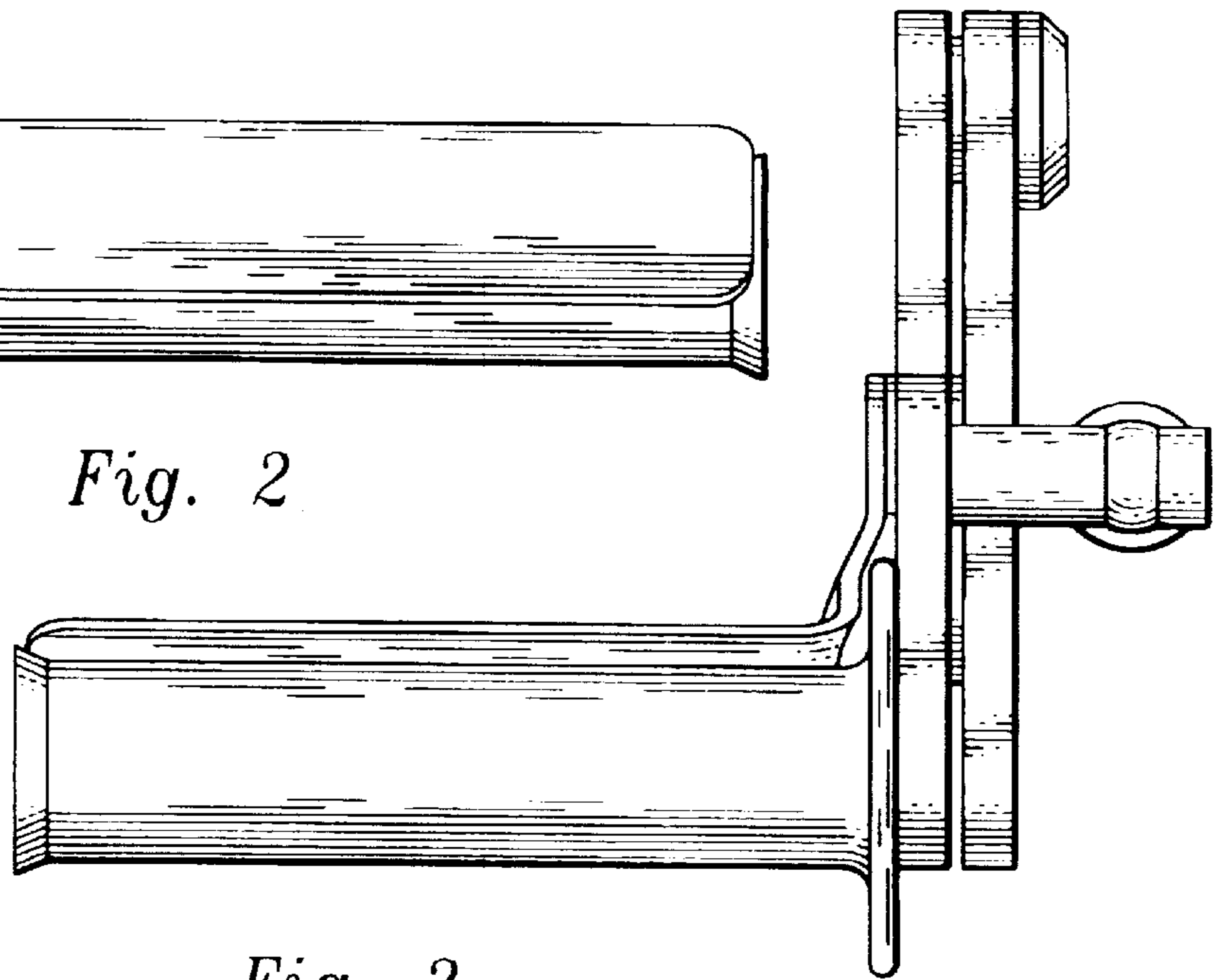
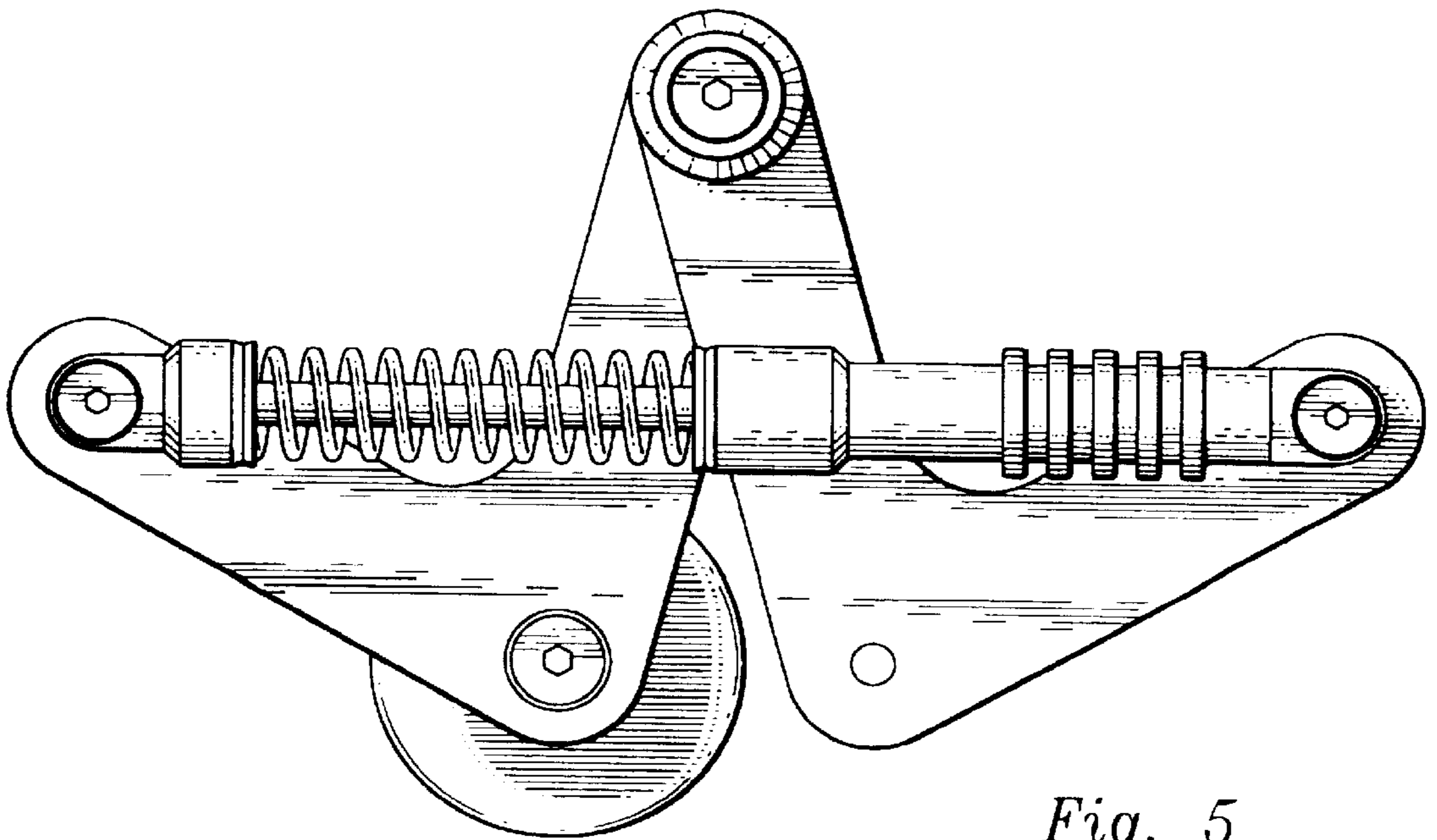
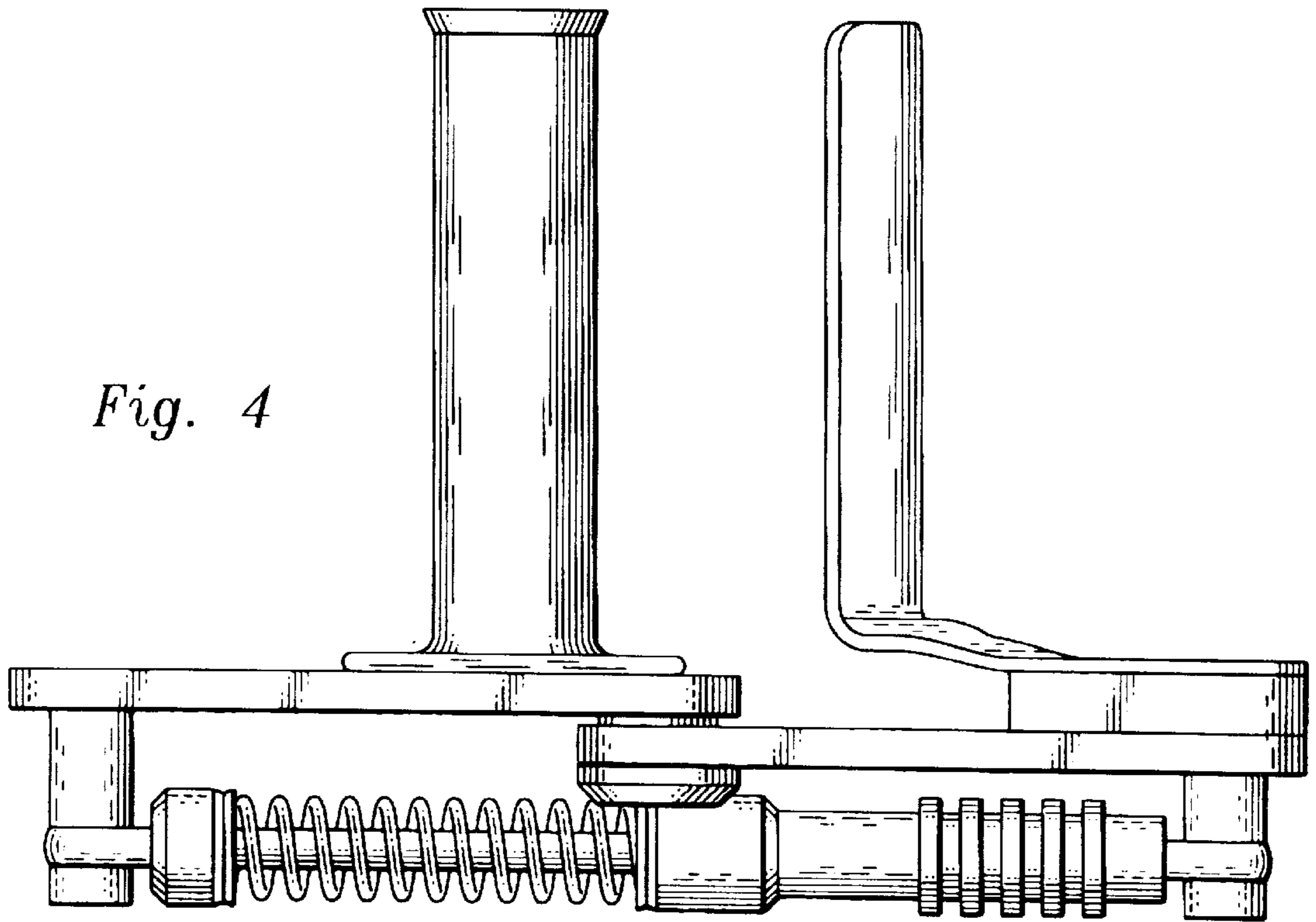


Fig. 3



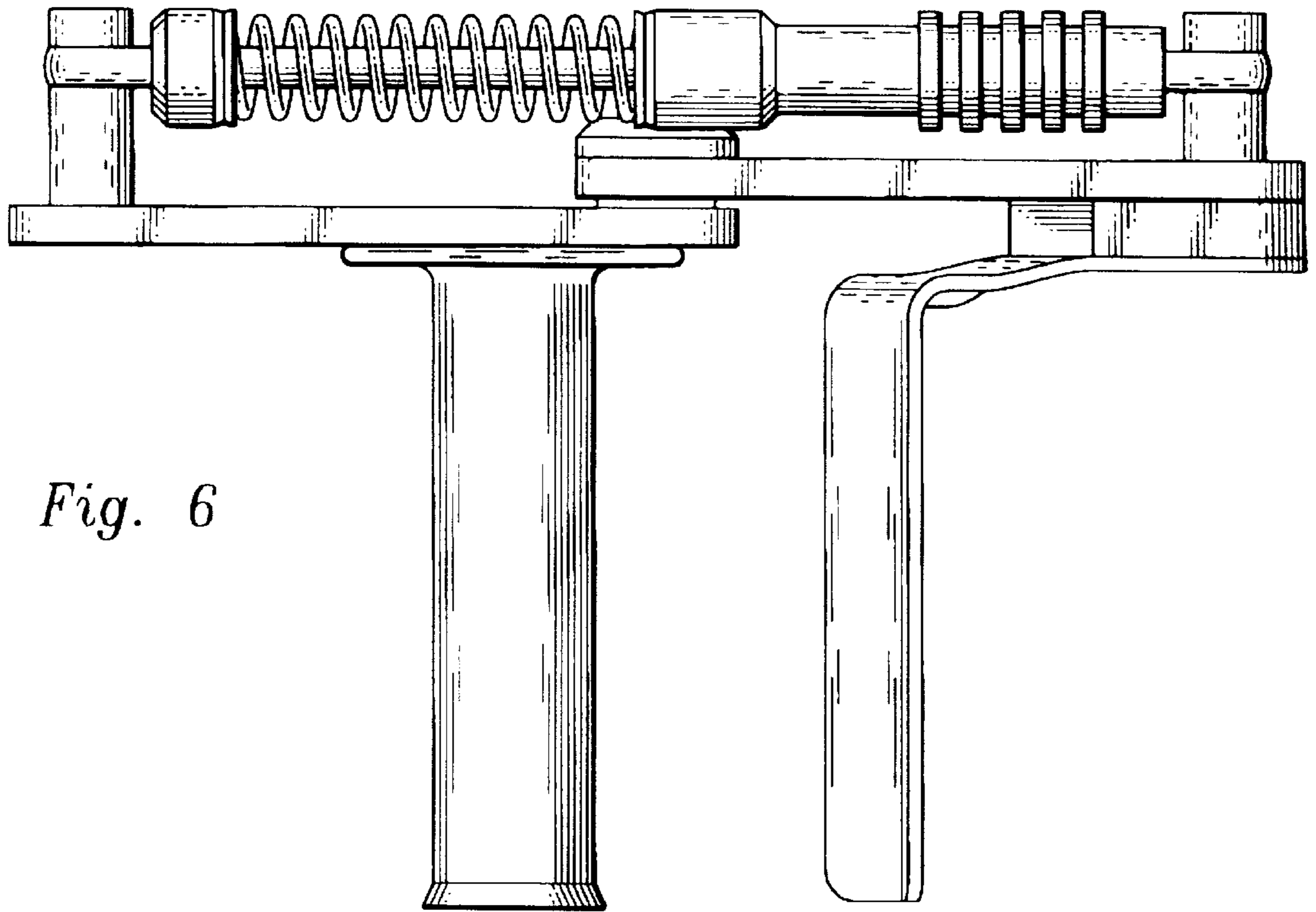


Fig. 6

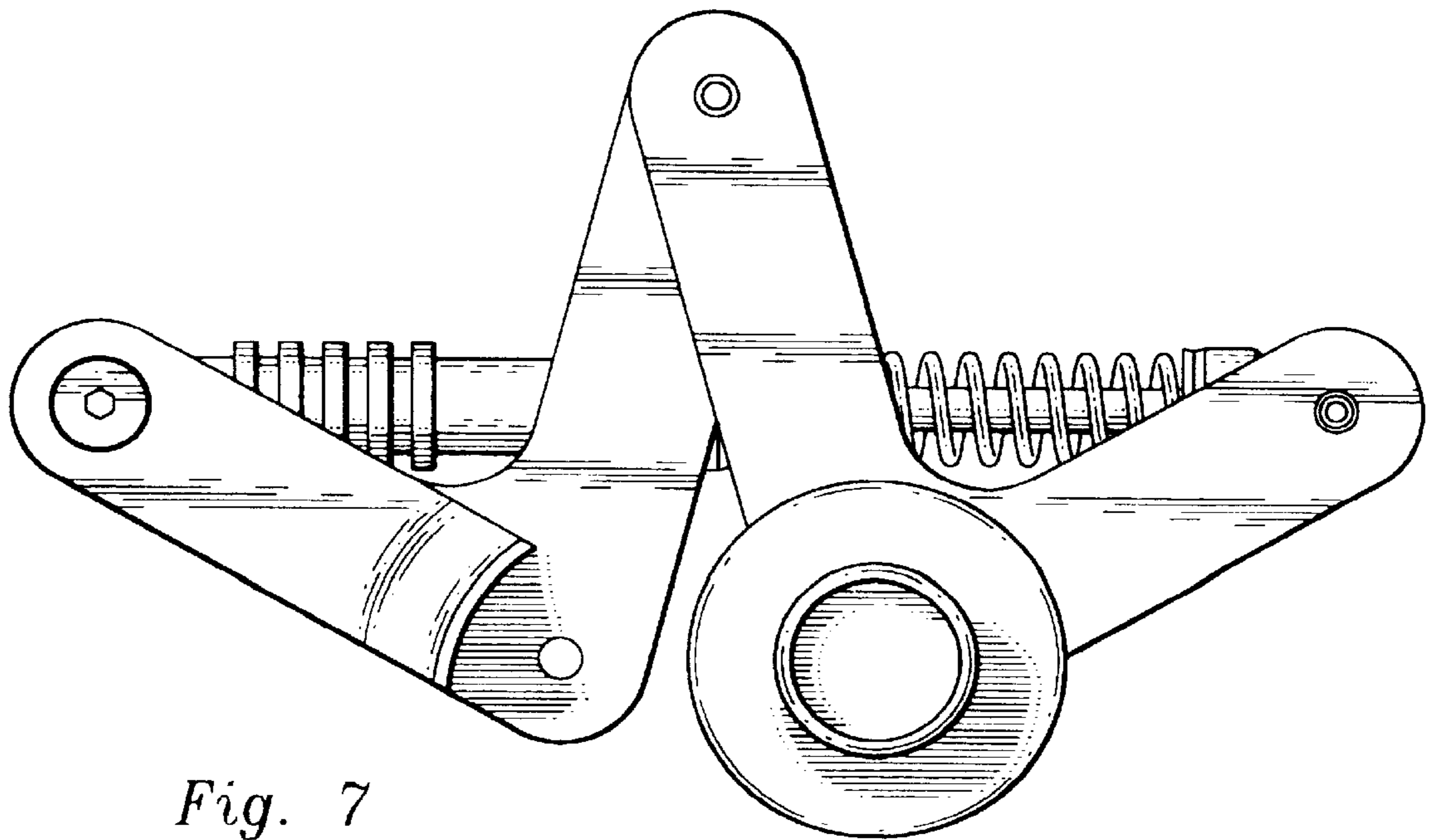


Fig. 7