



US00D438264S

(12) **United States Design Patent**
Hsiung

(10) **Patent No.:** **US D438,264 S**

(45) **Date of Patent:** **** Feb. 27, 2001**

(54) **ELLIPTICAL STRIDING EQUIPMENT**

6,007,462 * 12/1999 Chen 482/57
6,063,008 * 5/2000 McBride et al. 482/52

(76) Inventor: **Bob Hsiung**, 1939 N. Redrock Dr.,
Walnut, CA (US) 91789

* cited by examiner

(**) Term: **14 Years**

Primary Examiner—Philip S. Hyder
(74) *Attorney, Agent, or Firm*—Gene Scott-Patent Law &
Venture Group

(21) Appl. No.: **29/122,519**

(22) Filed: **Apr. 28, 2000**

(57) **CLAIM**

(51) **LOC (7) Cl.** **21-02**

The ornamental design for an elliptical striding equipment,
as shown and described.

(52) **U.S. Cl.** **D21/670; D21/668; D21/665**

(58) **Field of Search** D21/662, 663,
D21/665, 667, 668, 670; 482/51, 52, 57,
62, 66, 70

DESCRIPTION

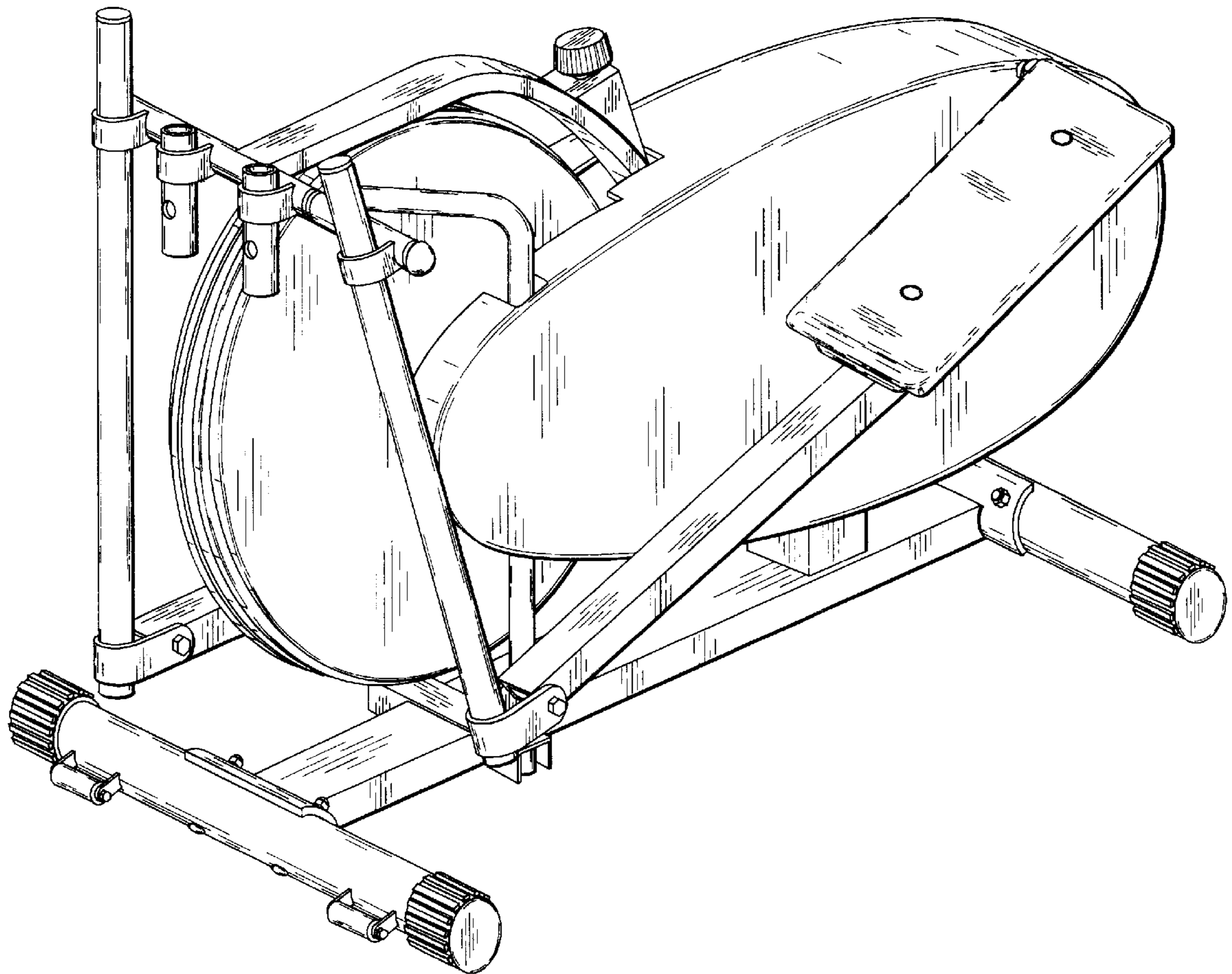
(56) **References Cited**

U.S. PATENT DOCUMENTS

- D. 397,383 * 8/1998 Sands et al. D21/663
- D. 398,672 * 9/1998 Sands et al. D21/663
- D. 405,852 * 2/1999 McBride D21/670
- D. 408,477 * 4/1999 Arnold et al. D21/670
- 5,746,683 * 5/1998 Lee 482/57

FIG. 1 is a perspective view of an elliptical striding equip-
ment, showing my new design;
FIG. 2 is a right side elevation view thereof;
FIG. 3 is a left side elevation view thereof;
FIG. 4 is a front elevation view thereof;
FIG. 5 is a rear elevation view thereof;
FIG. 6 is a top plan view thereof; and,
FIG. 7 is a bottom plan view thereof.

1 Claim, 4 Drawing Sheets



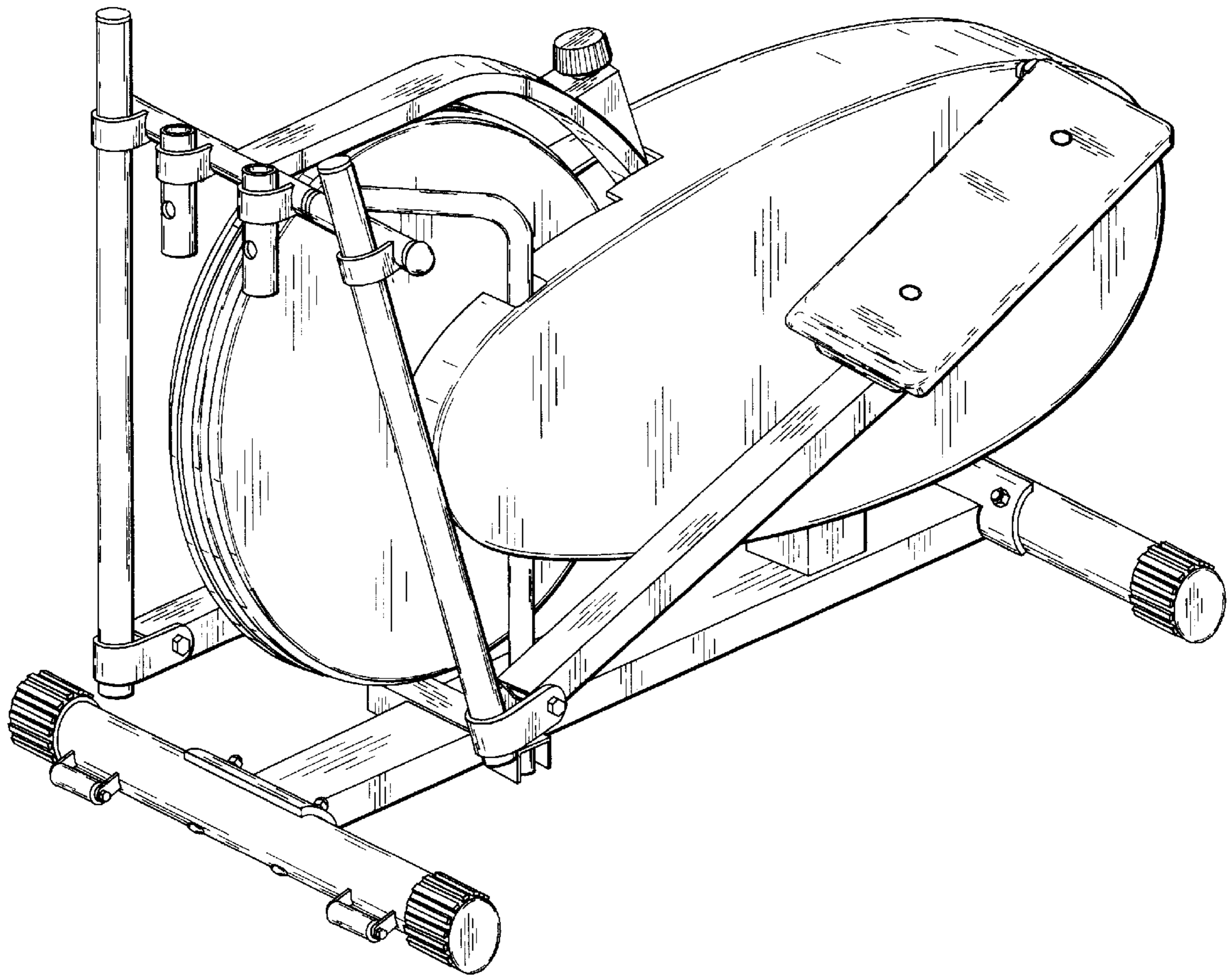


Fig. 1

Chu.Y-9

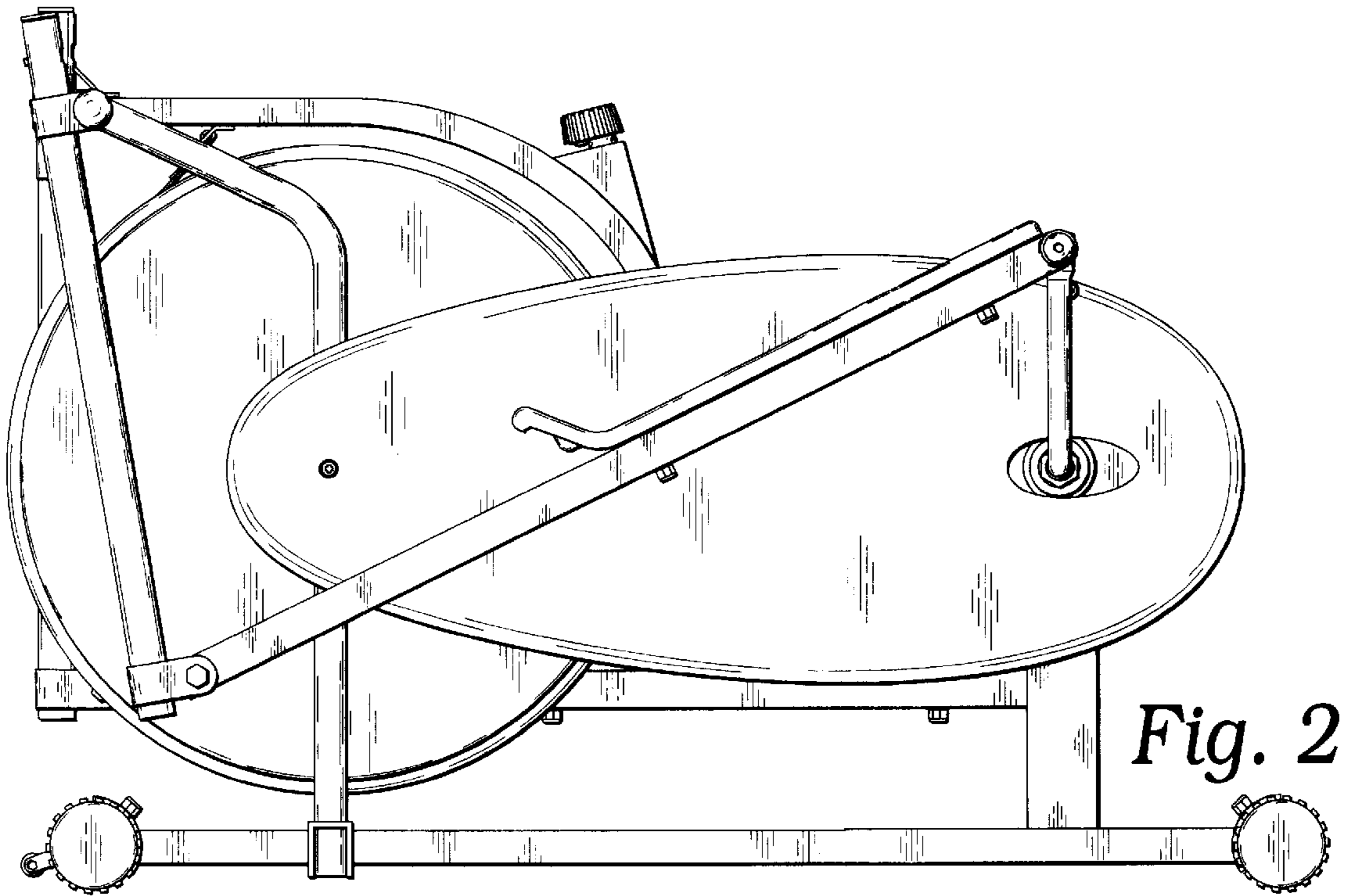


Fig. 2

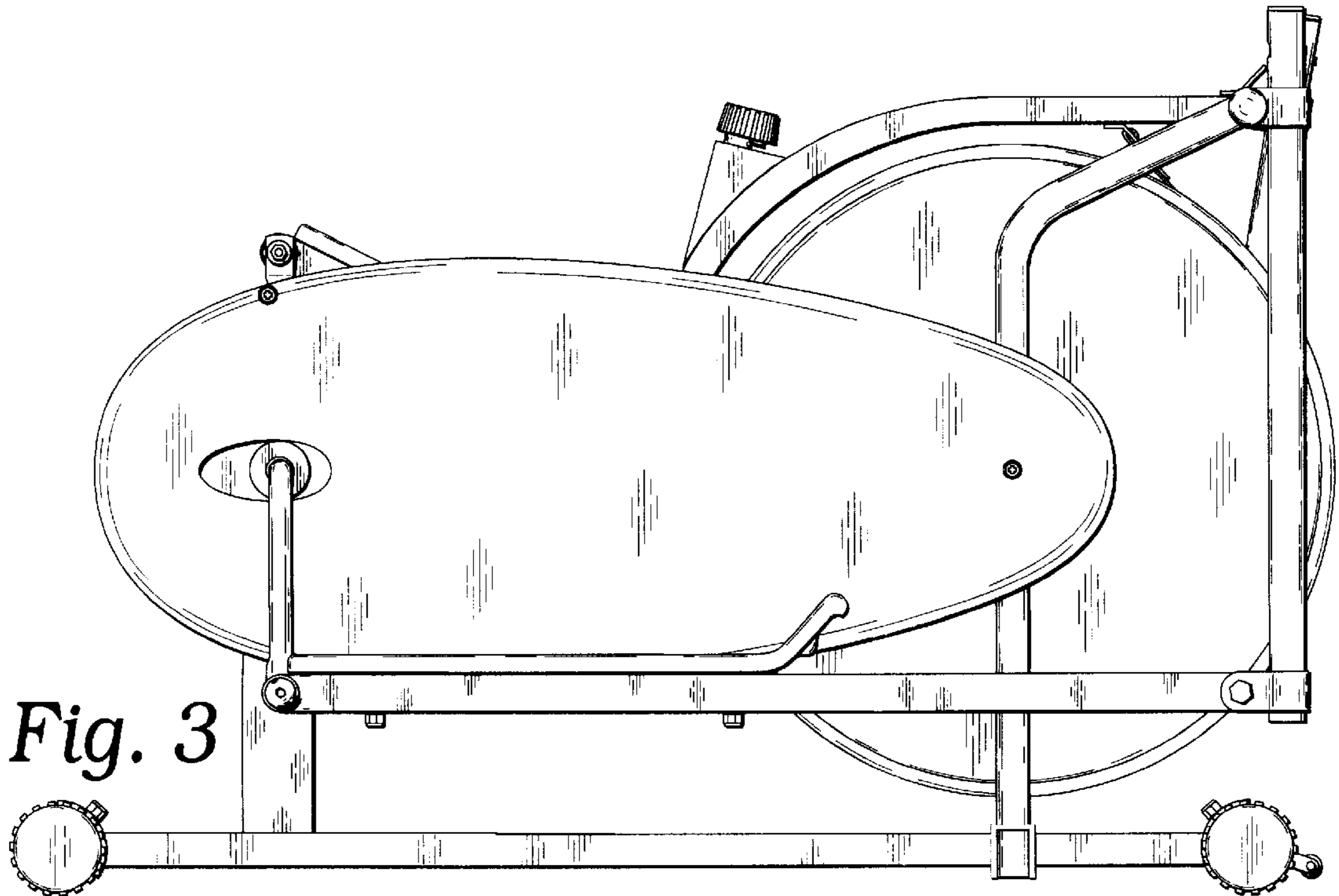


Fig. 3

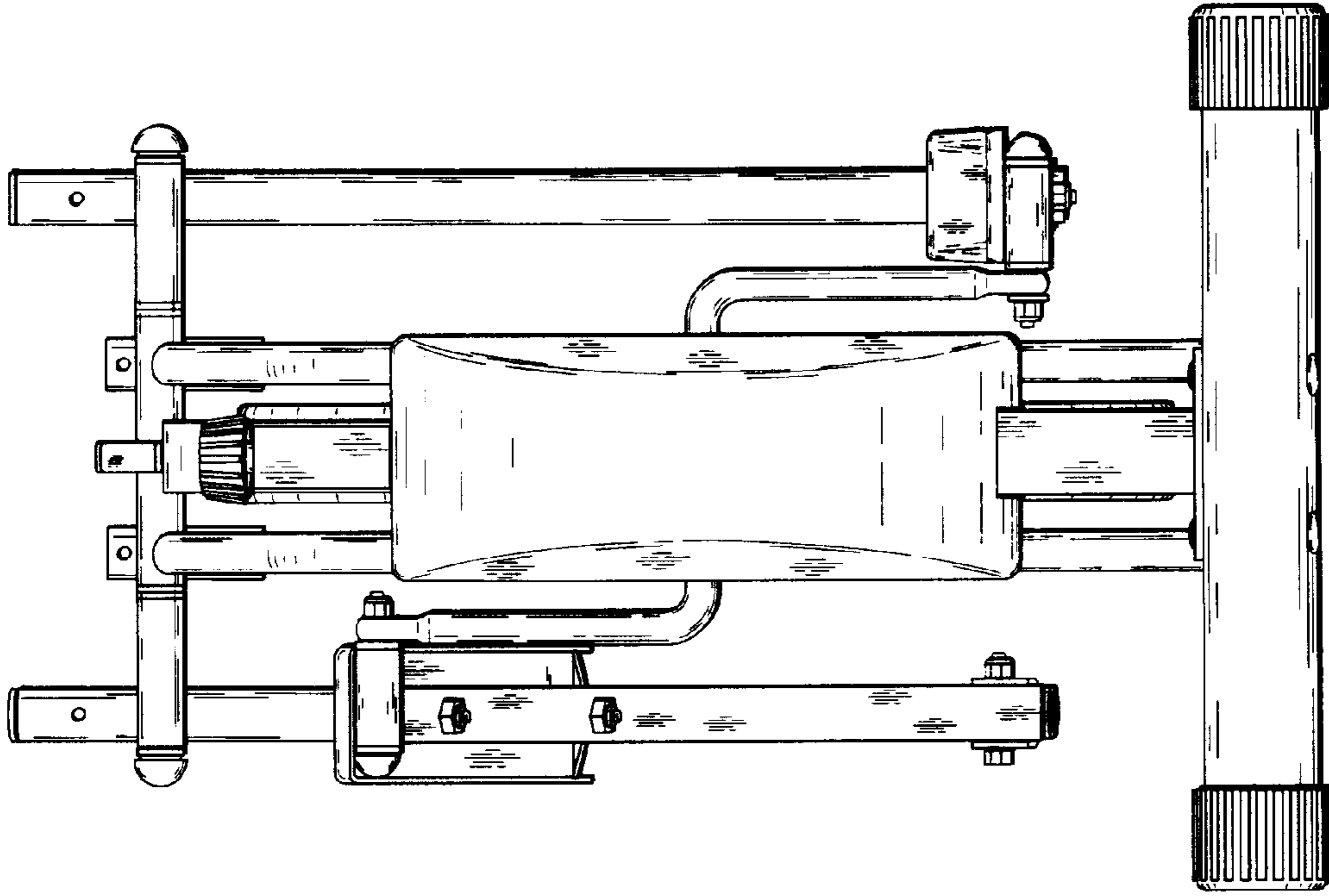


Fig. 5

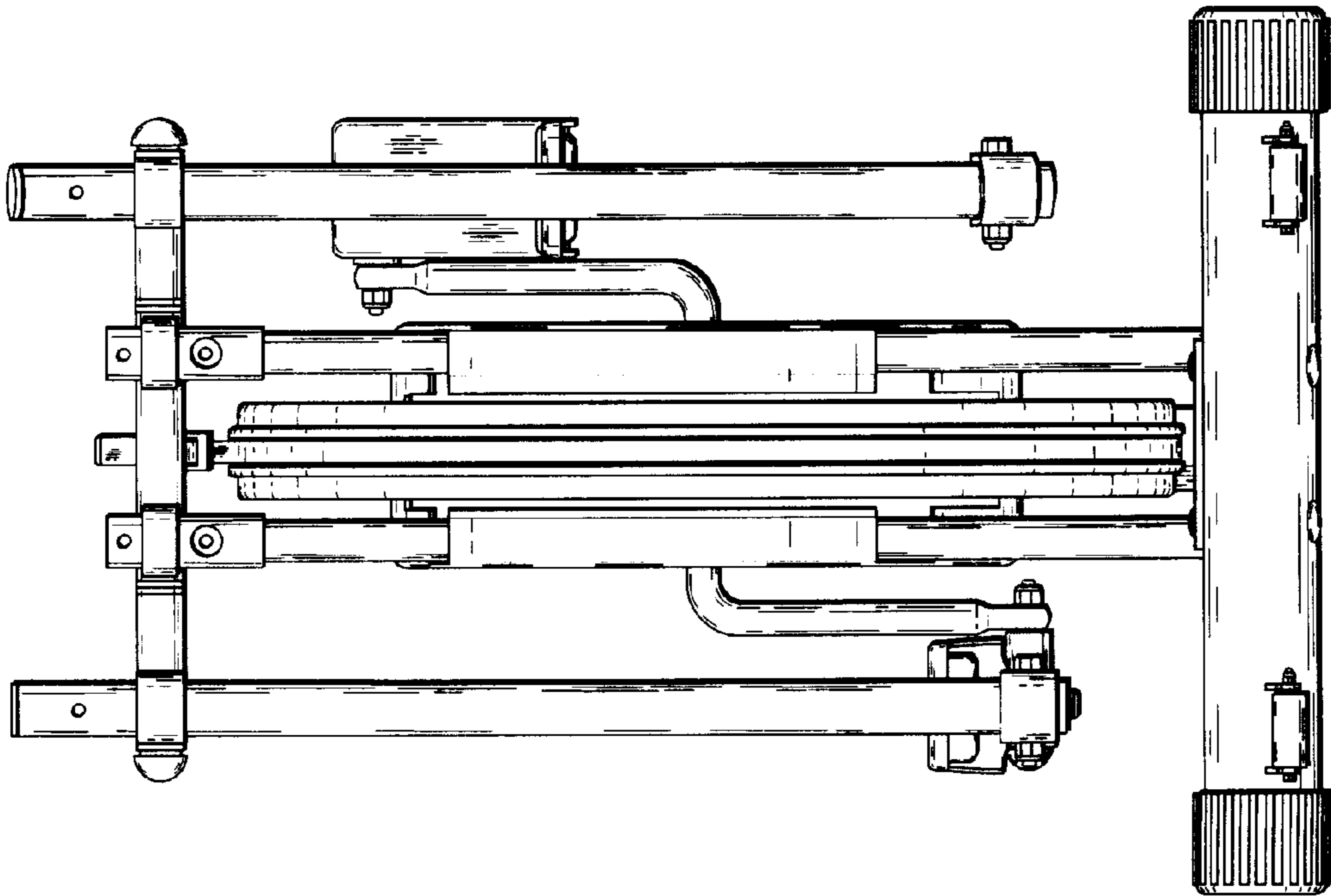


Fig. 4

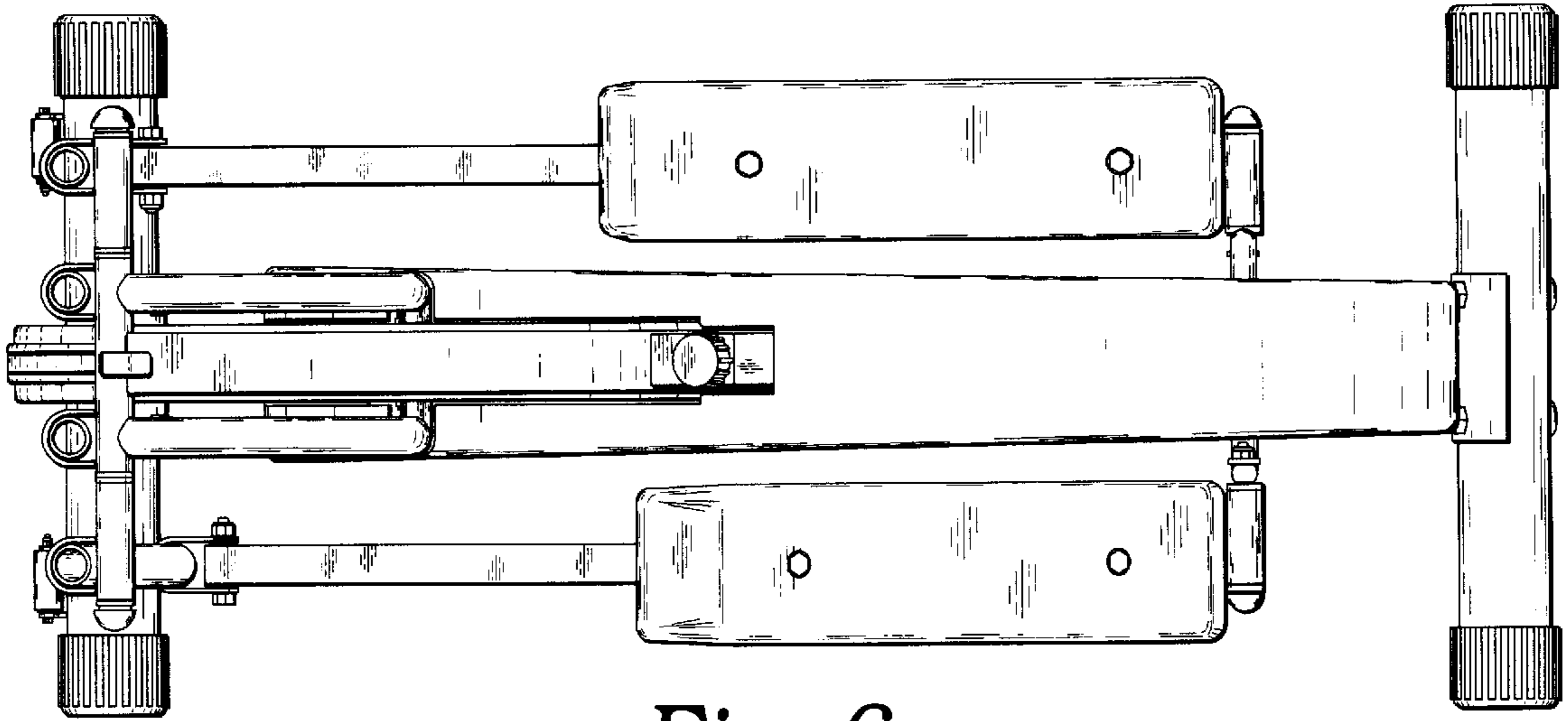


Fig. 6

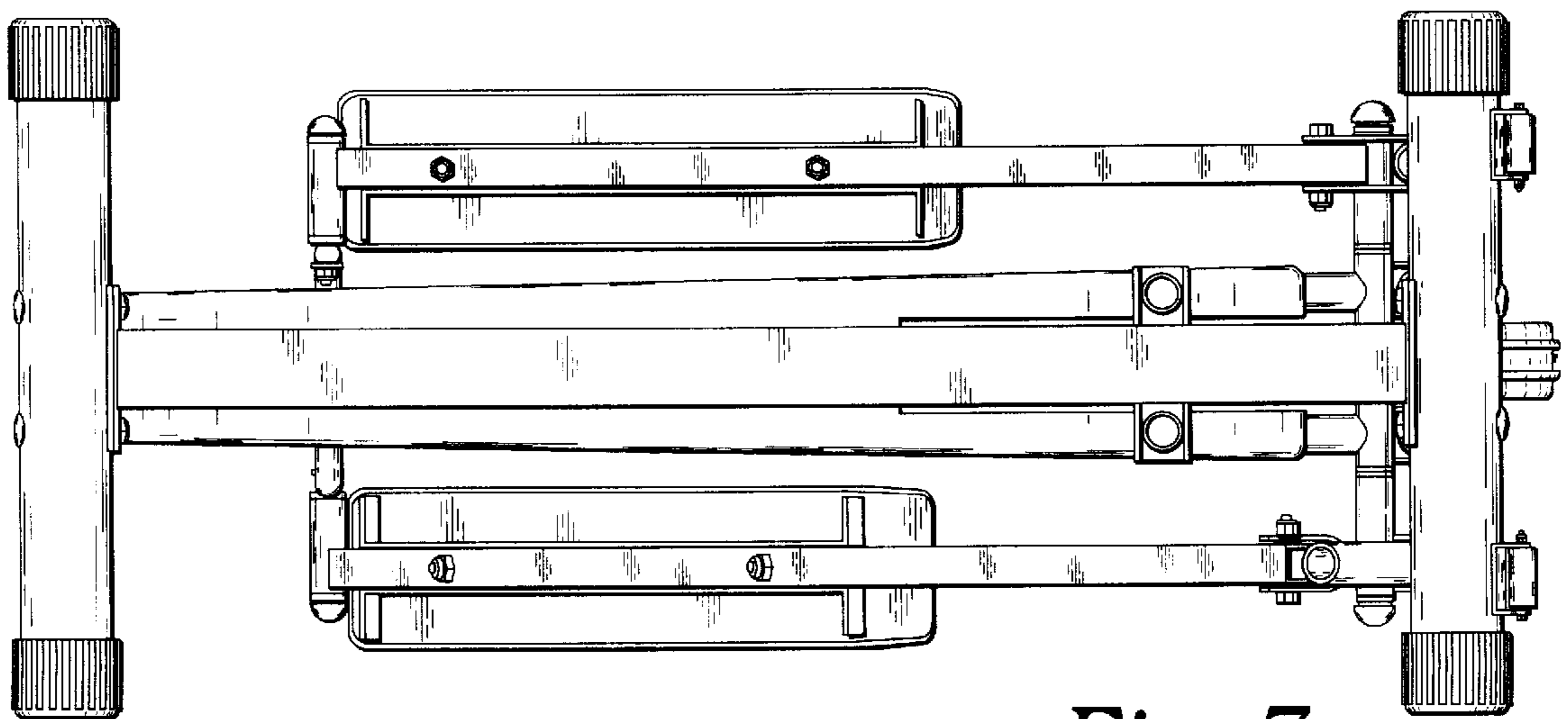


Fig. 7