



US00D438261S

(12) **United States Design Patent**  
**Chan**

(10) **Patent No.:** **US D438,261 S**

(45) **Date of Patent:** **\*\* Feb. 27, 2001**

(54) **TOY GUITAR**

(75) **Inventor:** **Ho Man Herman Chan, Tsing Yi (HK)**

(73) **Assignee:** **Potex Toys Manufacturer Ltd., Hong Kong (HK)**

(\*\*) **Term:** **14 Years**

(21) **Appl. No.:** **29/123,009**

(22) **Filed:** **May 8, 2000**

(30) **Foreign Application Priority Data**

Nov. 8, 1999 (CN) ..... 9911488

(51) **LOC (7) Cl.** ..... **21-01**

(52) **U.S. Cl.** ..... **D21/405**

(58) **Field of Search** ..... D21/405; D17/14;  
446/397, 408; 84/267

(56) **References Cited**

**U.S. PATENT DOCUMENTS**

D. 239,309 \* 3/1976 Bontempi ..... D21/405

D. 252,112 \* 6/1979 Legnasky ..... D21/405

D. 300,154 \* 3/1989 Chen ..... D21/405

\* cited by examiner

*Primary Examiner*—Dominic Simone

(74) *Attorney, Agent, or Firm*—Alix, Yale & Ristas, LLP

(57) **CLAIM**

The ornamental design for a toy guitar, as shown and described.

**DESCRIPTION**

FIG. 1 is a front perspective view of the toy guitar showing my new design;

FIG. 2 is a front view of the toy guitar of FIG. 1;

FIG. 3 is a right side view of the toy guitar of FIG. 1;

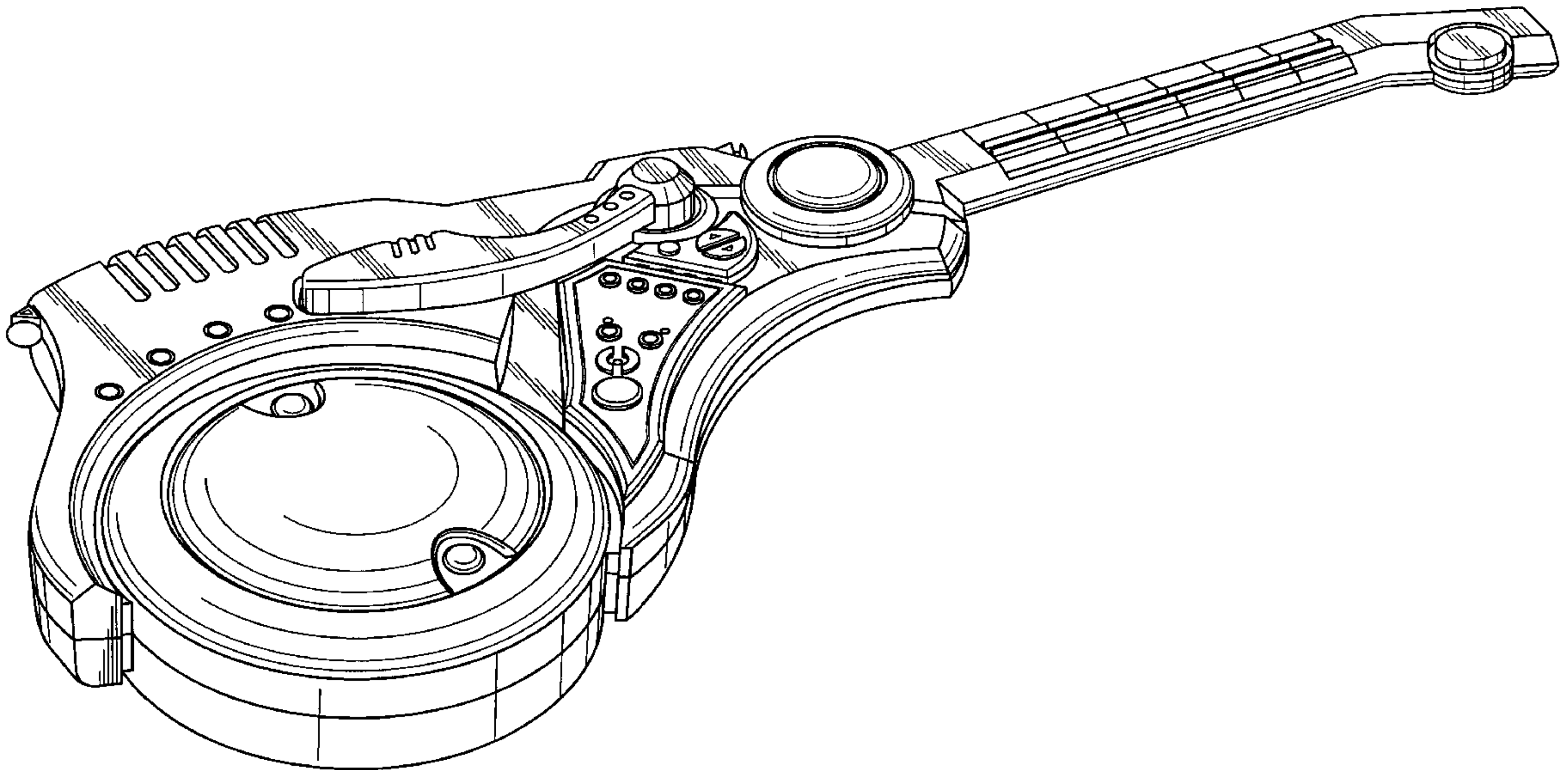
FIG. 4 is a left side view of the toy guitar of FIG. 1;

FIG. 5 is a rear view of the toy guitar of FIG. 1;

FIG. 6 is a top plan view of the toy guitar of FIG. 1; and,

FIG. 7 is a bottom plan view of the toy guitar of FIG. 1.

**1 Claim, 4 Drawing Sheets**



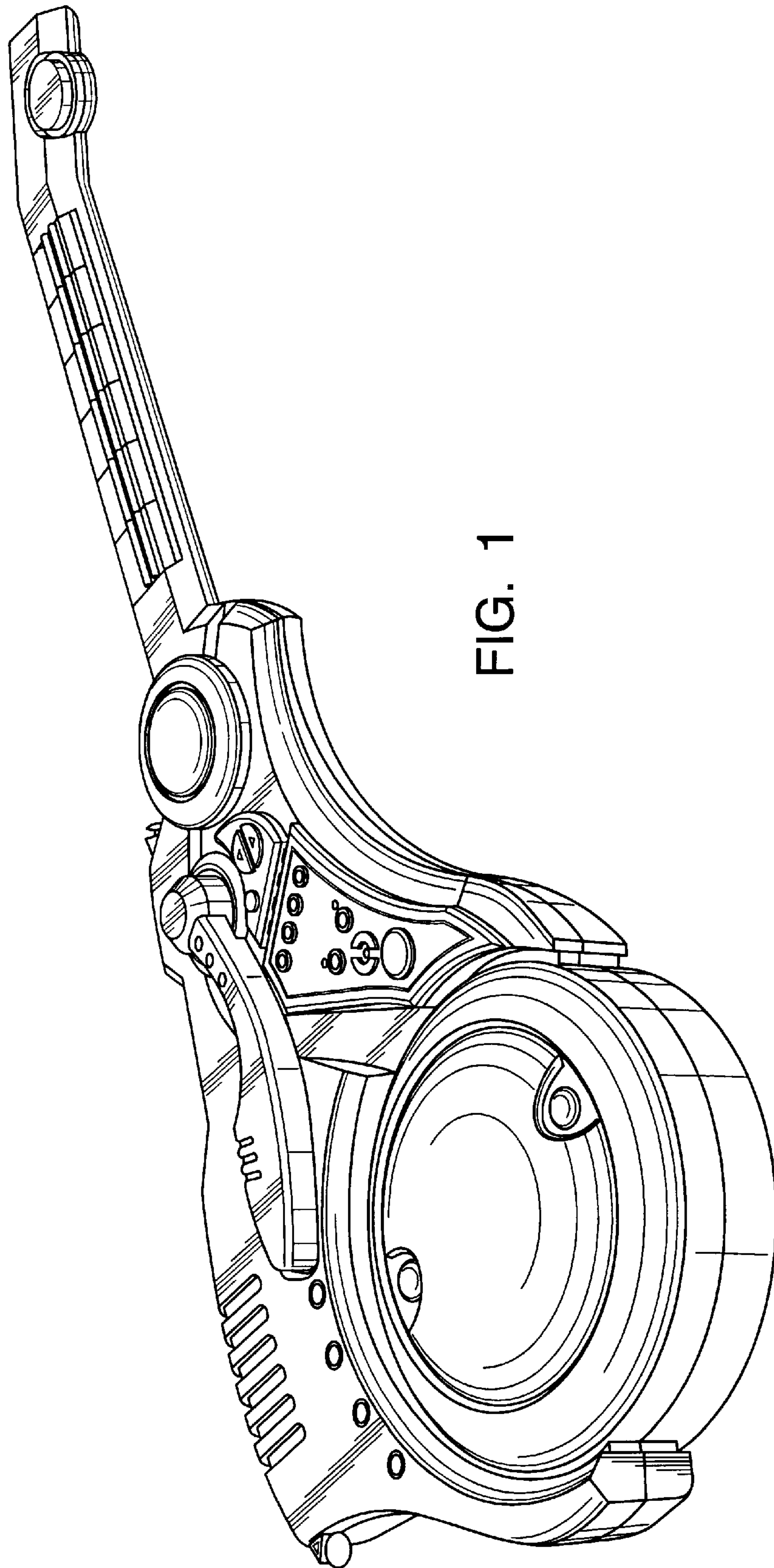


FIG. 1

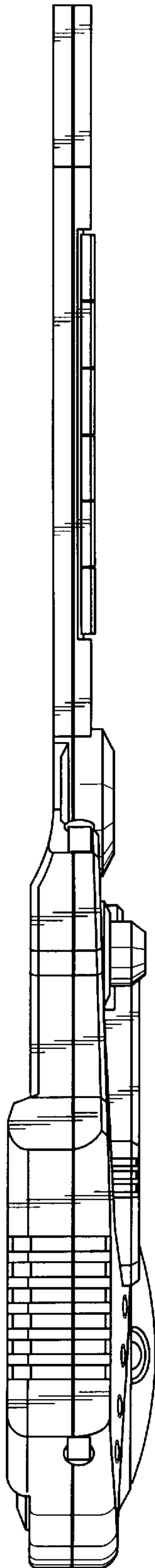


FIG. 3

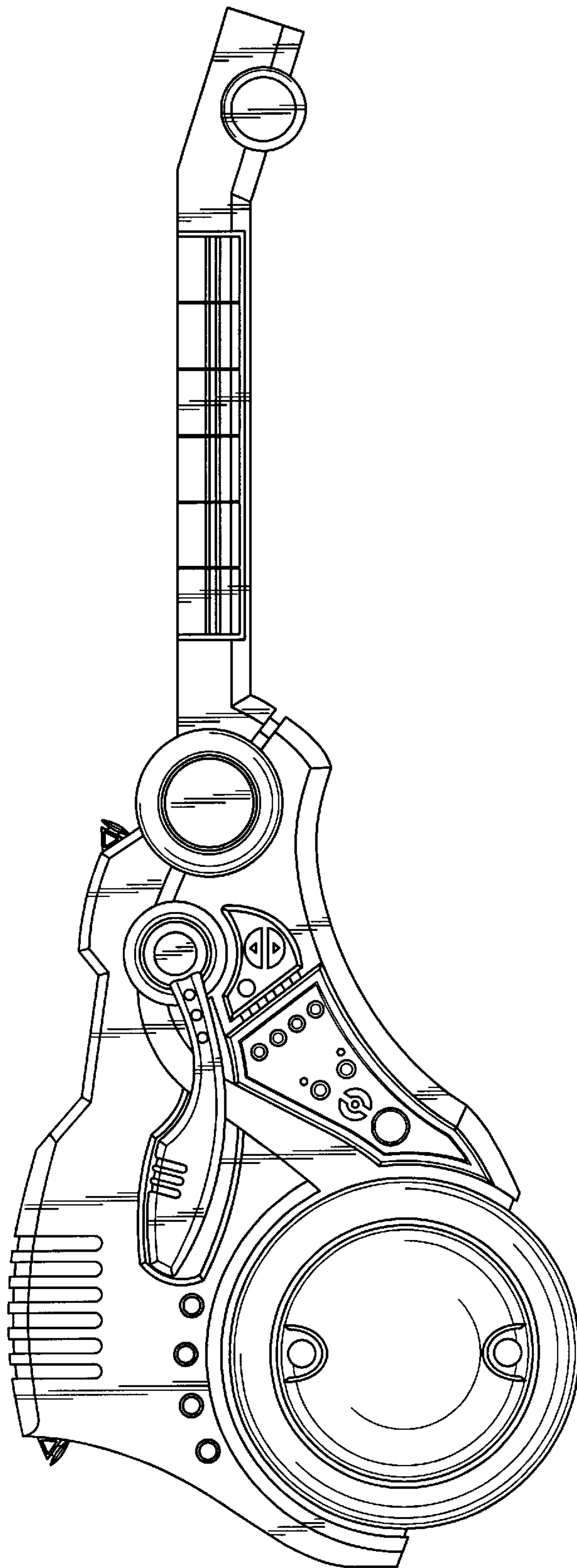


FIG. 2

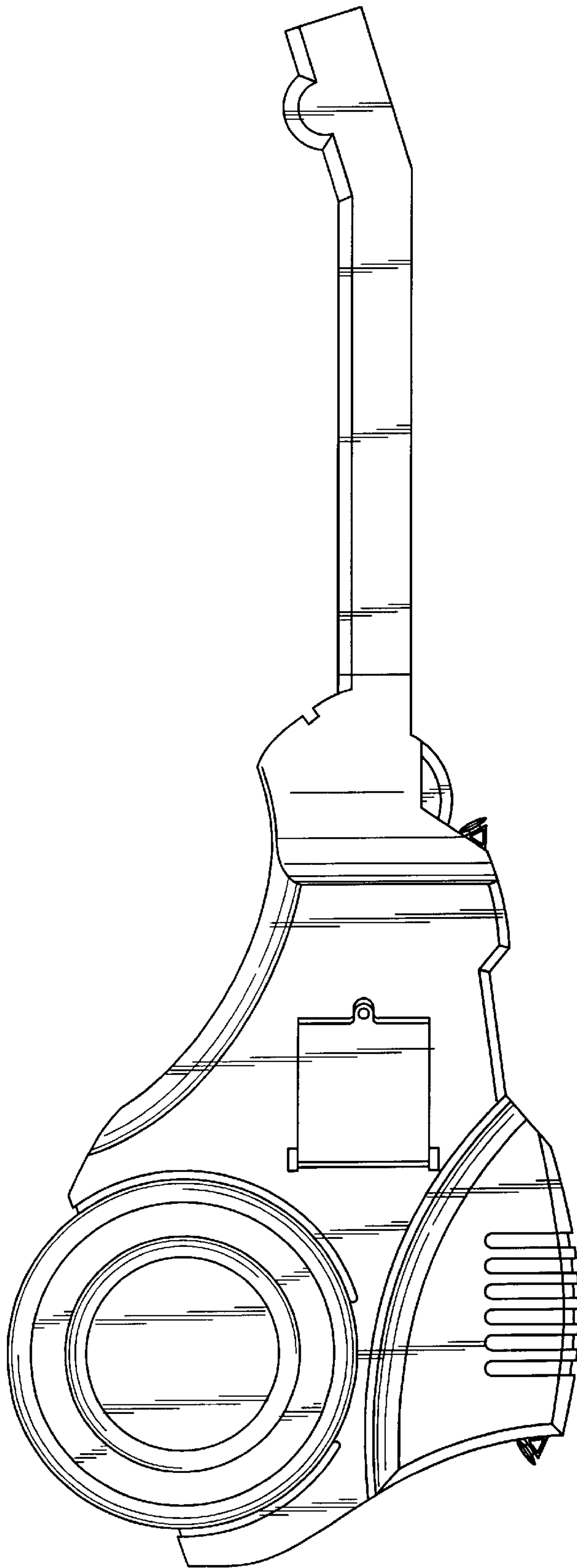


FIG. 5

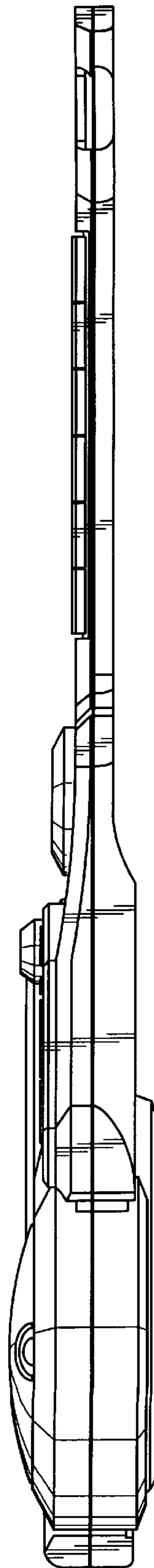


FIG. 4



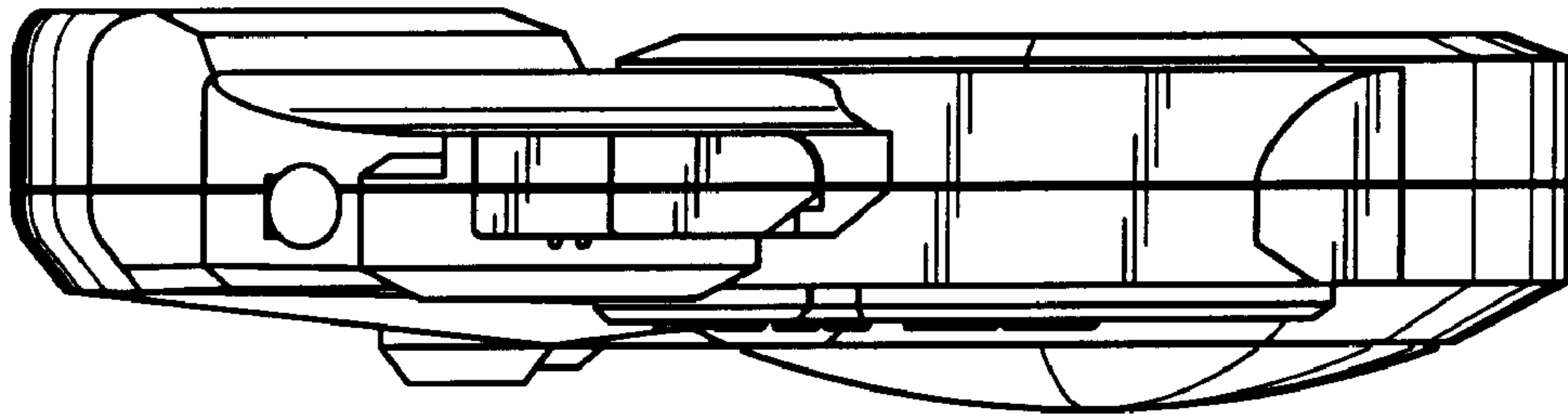


FIG. 6

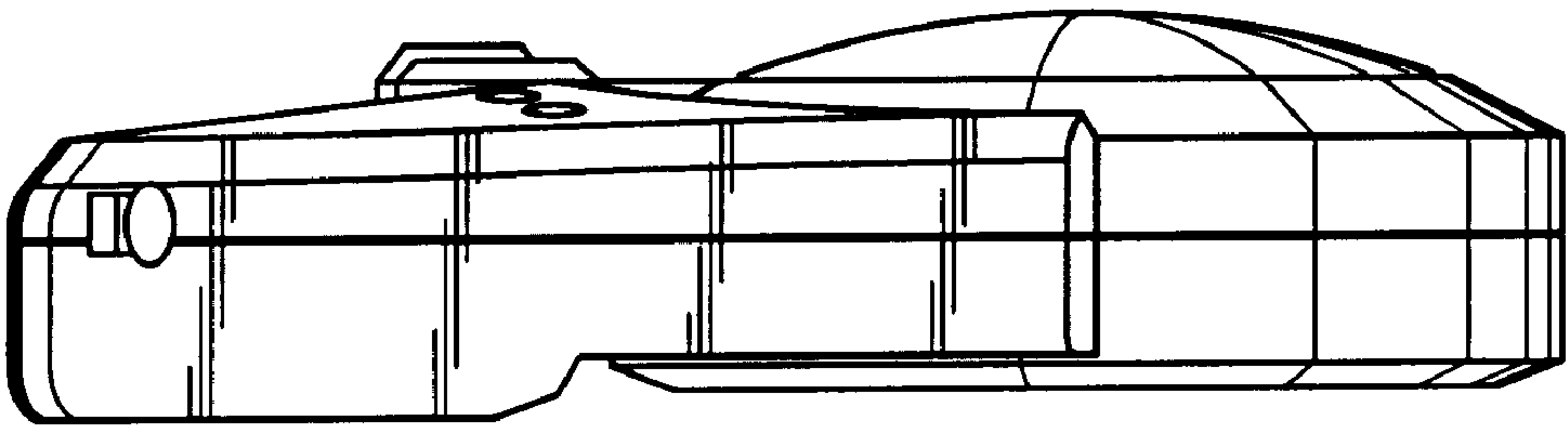


FIG. 7