



US00D438259S

(12) **United States Design Patent**  
**Florance**

(10) **Patent No.:** **US D438,259 S**

(45) **Date of Patent:** **\*\* Feb. 27, 2001**

(54) **EXTRUDED HANGING BOARD**

(75) Inventor: **Richard J. Florance**, La Porte, TX (US)

(73) Assignee: **Semasys, Inc.**, Houston, TX (US)

(\*\*) Term: **14 Years**

(21) Appl. No.: **29/109,533**

(22) Filed: **Aug. 17, 1999**

(51) **LOC (7) Cl.** ..... **19-08**

(52) **U.S. Cl.** ..... **D20/43**

(58) **Field of Search** ..... D20/10, 40, 43,  
D20/44; D25/119; 40/5, 489, 490, 491,  
576, 605, 611, 618, 642, 649

(56) **References Cited**

**U.S. PATENT DOCUMENTS**

D. 273,596	*	4/1984	Waldecrantz	.....	D20/44
D. 289,780	*	5/1987	Kenney	.....	D20/44
D. 296,707	*	7/1988	Vea	.....	D20/44
D. 305,911	*	2/1990	Burlando	.....	D20/44
D. 319,886	*	9/1991	Simpson et al.	.....	D20/44

\* cited by examiner

*Primary Examiner*—Marcus A. Jackson

(74) *Attorney, Agent, or Firm*—Howrey Simon Arnold & White, LLP

(57) **CLAIM**

The ornamental design for an extruded hanging board, as shown and described.

**DESCRIPTION**

FIG. 1 is an isometric projection of the right side, top and front of an extruded hanging board showing my design;

FIG. 2 is a left side elevational view thereof with the right side being identical in appearance;

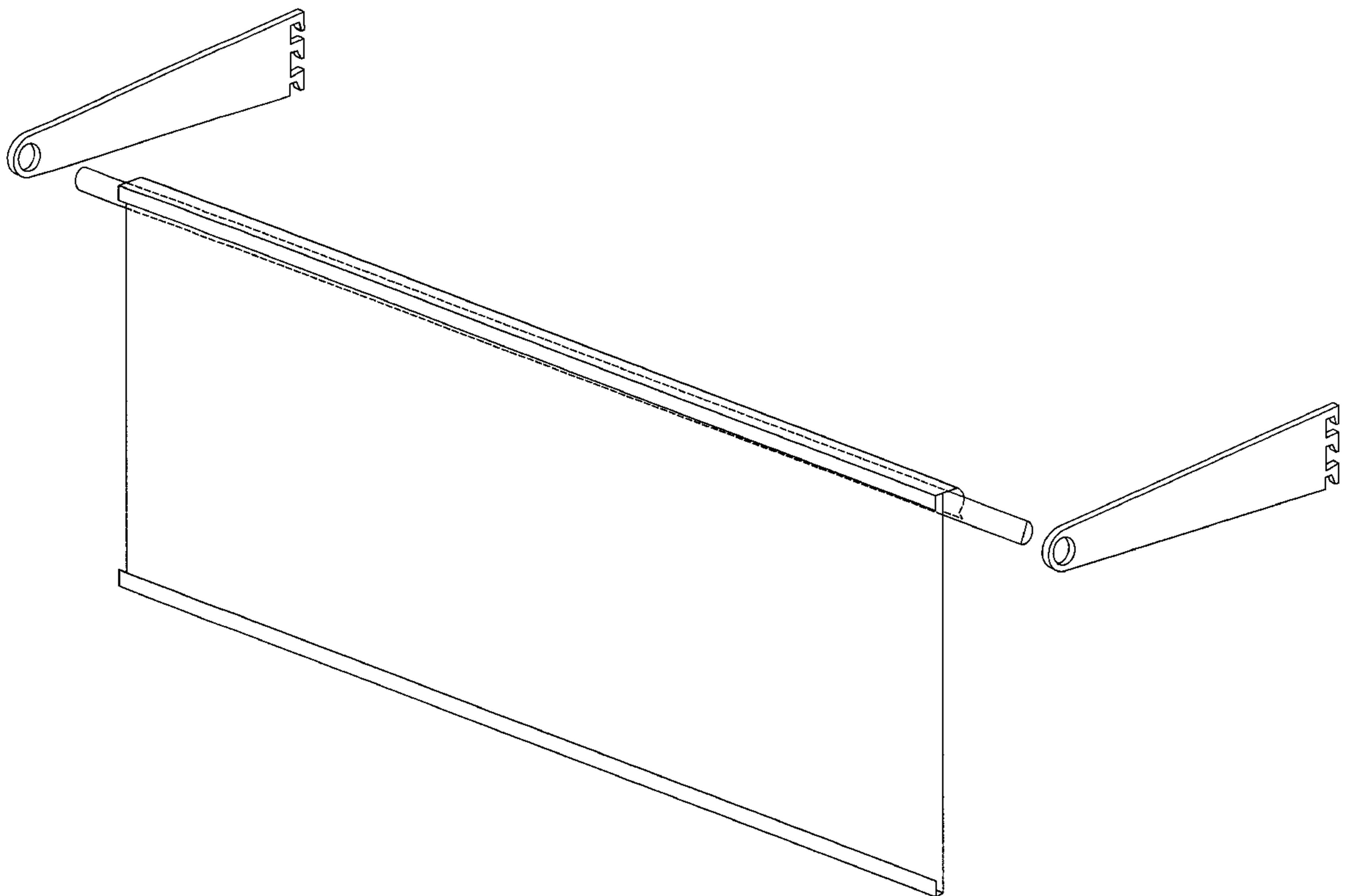
FIG. 3 is an isometric projection of the left side, top and back thereof;

FIG. 4 is a second embodiment of FIG. 1, in which the extruded hanging board is configured with a different height and width; and,

FIG. 5 is an isometric projection of the left side, top and back of the extruded hanging board of FIG. 4.

The broken lines depicted in FIGS. 1 and 3 that extend beyond the right and left sides of the extruded hanging board near the top thereof, which represent a hanging rod, illustrate environmental structure only and form no part of the claimed design. Similarly, the broken lines depicted in FIGS. 1 and 3 that are positioned on both sides of the illustrative hanging rod, which represent two brackets, also illustrate environmental structure and form no part of the claimed design. The remaining broken lines depicted in FIGS. 1–5, which represent four transverse portions contiguous with the back of the extruded hanging board, are for illustrative purposes only and form no part of the claimed design.

**1 Claim, 3 Drawing Sheets**



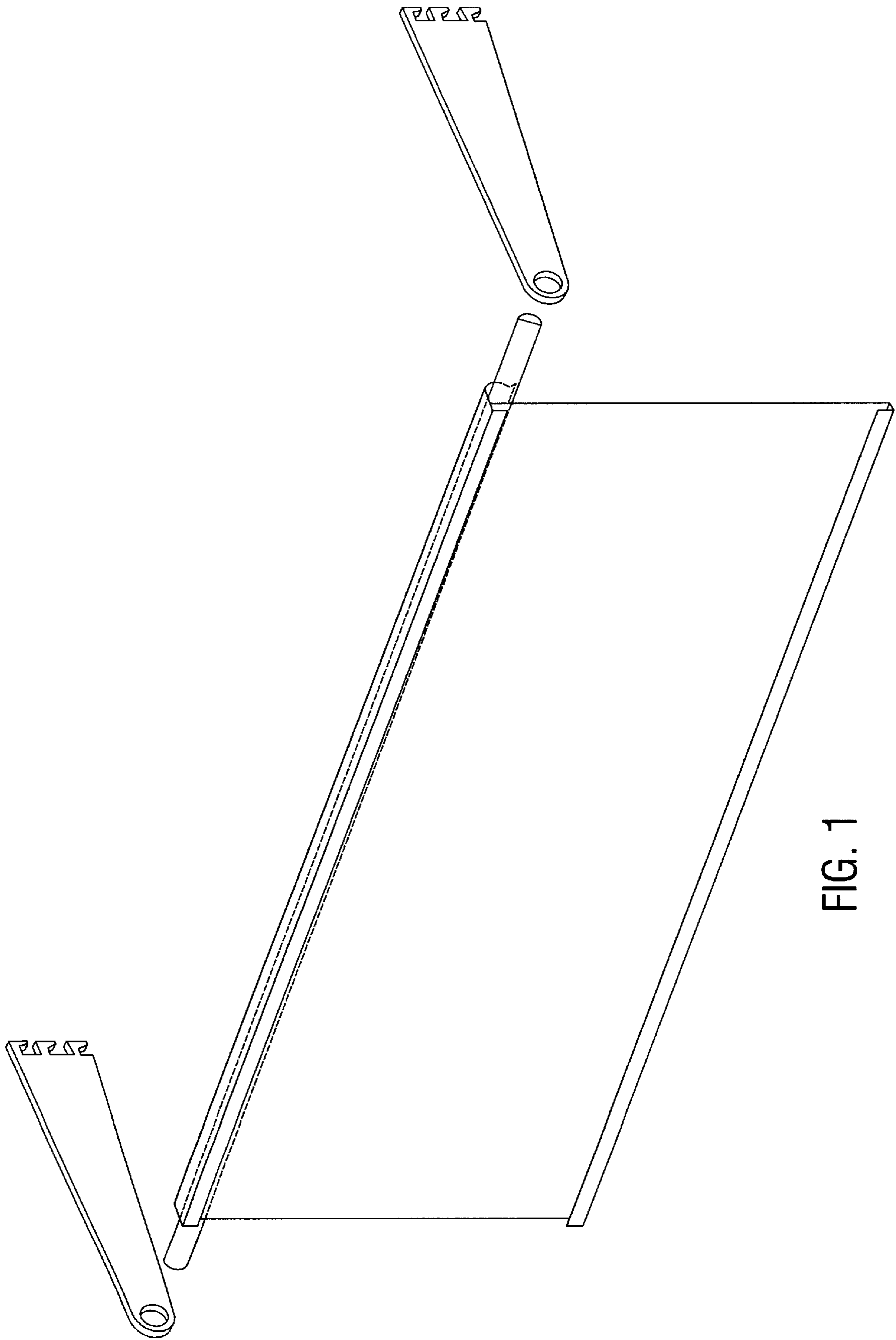
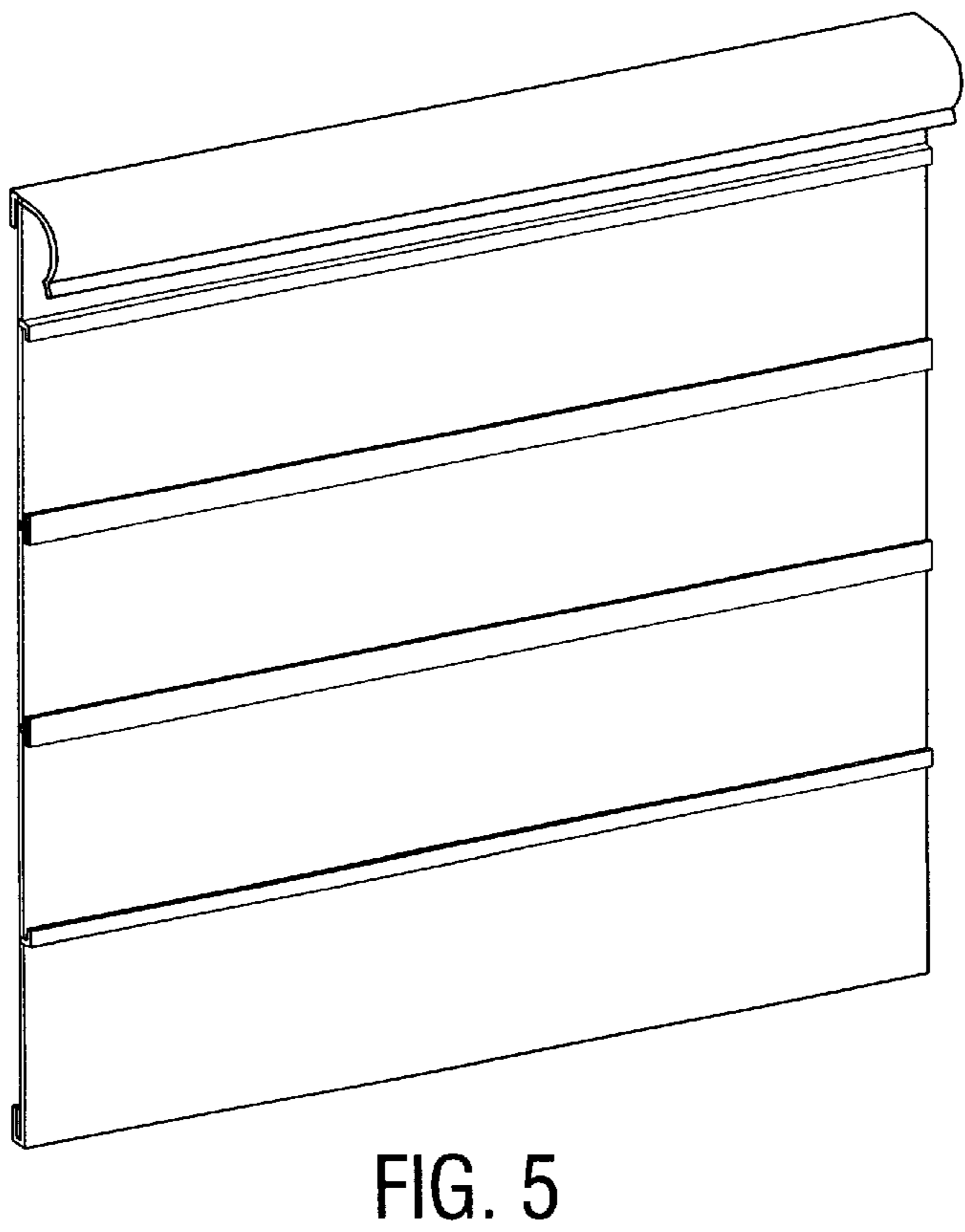
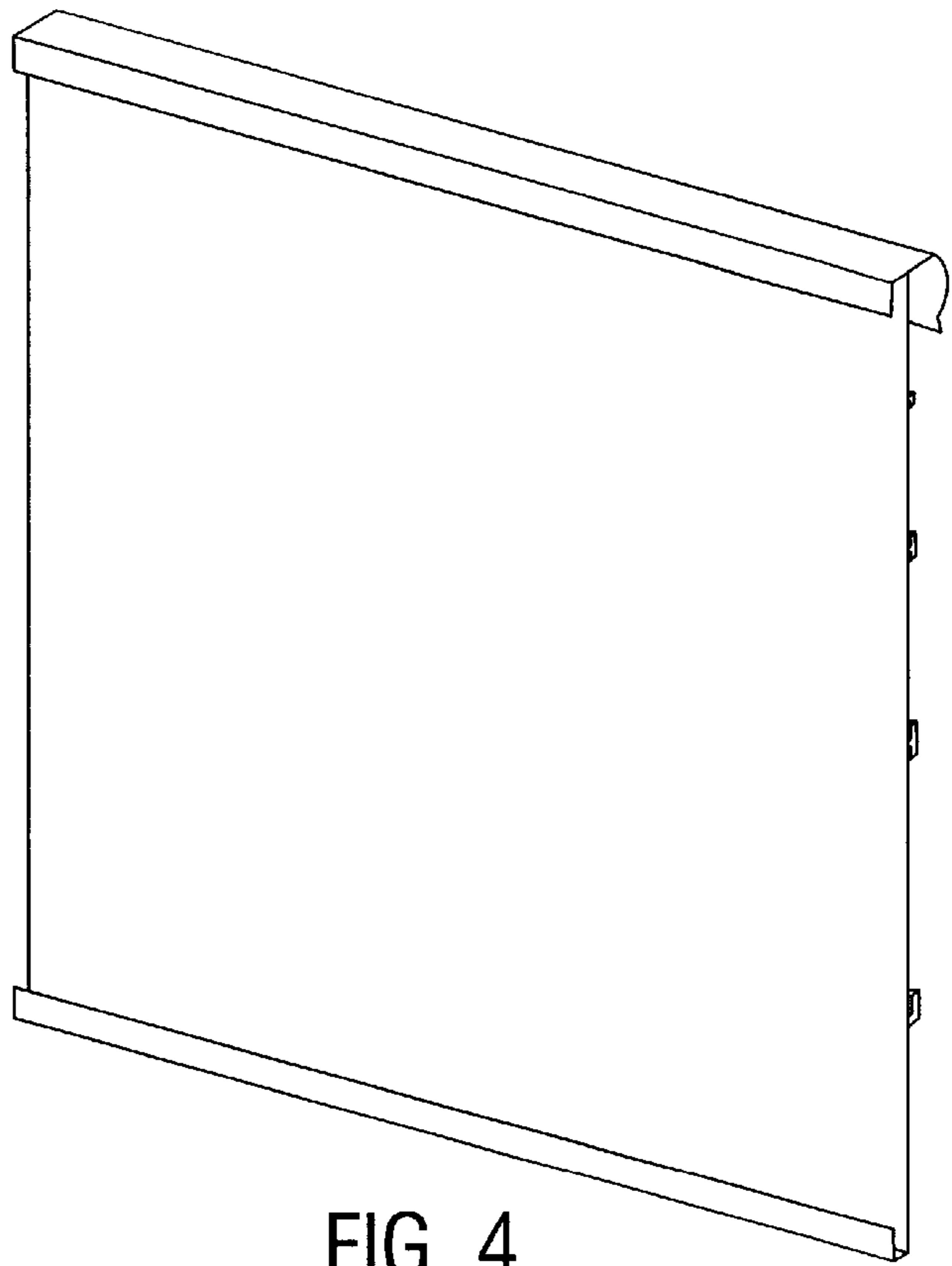
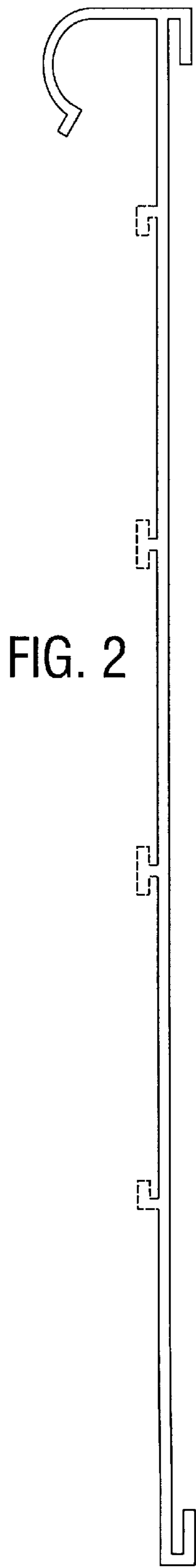


FIG. 1



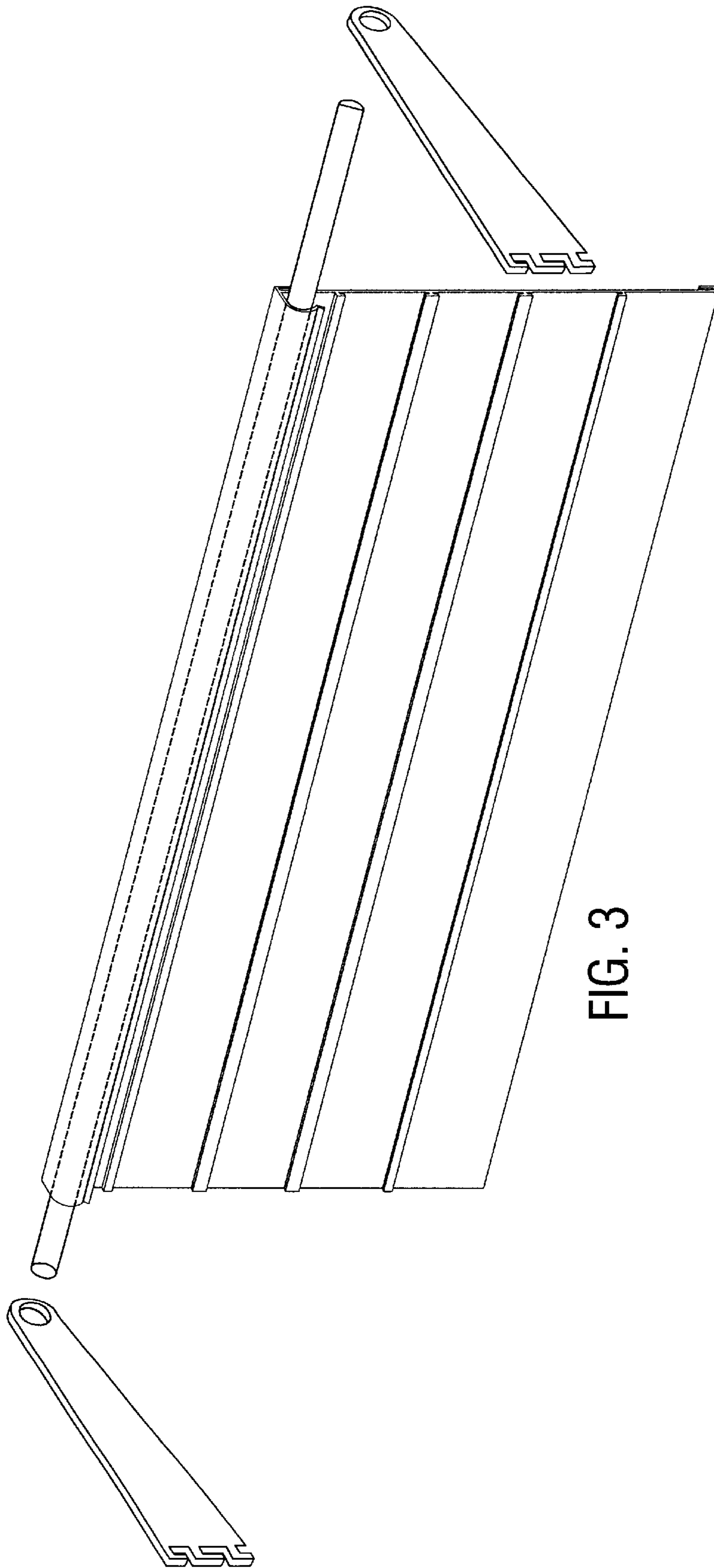


FIG. 3