



US00D438256S

(12) **United States Design Patent**
Timmermans et al.

(10) **Patent No.:** **US D438,256 S**

(45) **Date of Patent:** **** Feb. 27, 2001**

(54) **VISUAL DISPLAY SYSTEM**

(75) Inventors: **Jack Timmermans**, Edmonton;
William Vantuil, St. Albert, both of
(CA)

(73) Assignee: **Clientronics Inc.**, Edmonton (CA)

(**) Term: **14 Years**

(21) Appl. No.: **29/114,821**

(22) Filed: **Dec. 2, 1999**

(51) **LOC (7) Cl.** **20-02**

(52) **U.S. Cl.** **D20/10; D20/41**

(58) **Field of Search** D20/10, 41; 40/541,
40/549, 551, 552, 553, 584, 606, 612, 616,
624

(56) **References Cited**

U.S. PATENT DOCUMENTS

D. 355,222 * 2/1995 Marshall et al. D20/41

D. 387,387 * 12/1997 Powell D20/41

D. 389,524 * 1/1998 Grange D20/41

D. 401,286 * 11/1998 McMillan et al. D20/41

D. 420,053 * 2/2000 Voight D20/10

* cited by examiner

Primary Examiner—Marcus A. Jackson

(74) *Attorney, Agent, or Firm*—George A. Seaby

(57) **CLAIM**

The ornamental design for a visual display system, as shown and described.

DESCRIPTION

FIG. 1 is a perspective view of the visual display system showing our new design;

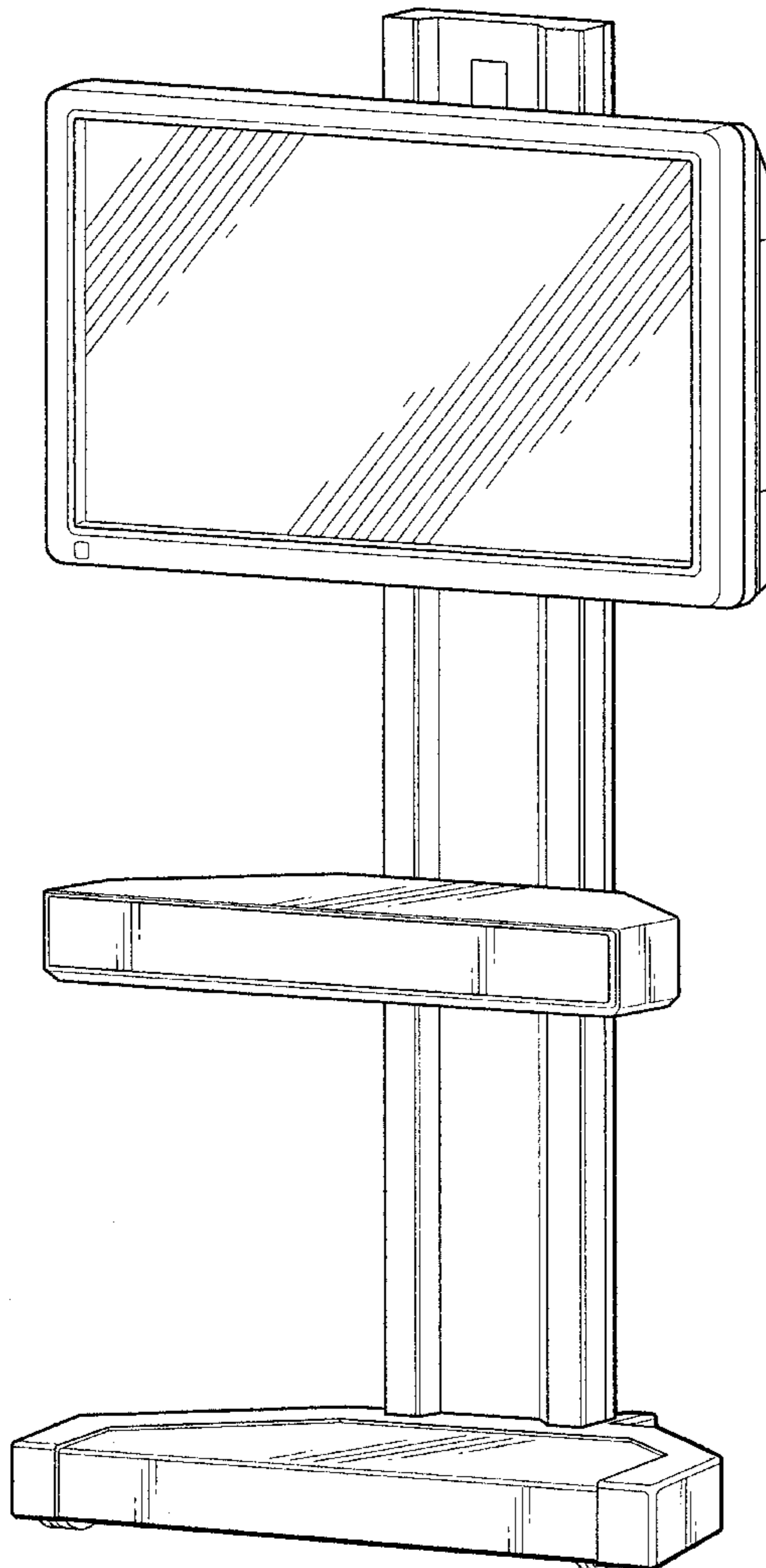
FIG. 2 is a front view thereof;

FIG. 3 is a top view thereof;

FIG. 4 is a side view thereof, the opposite side view being identical; and,

FIG. 5 is a rear view thereof.

1 Claim, 5 Drawing Sheets



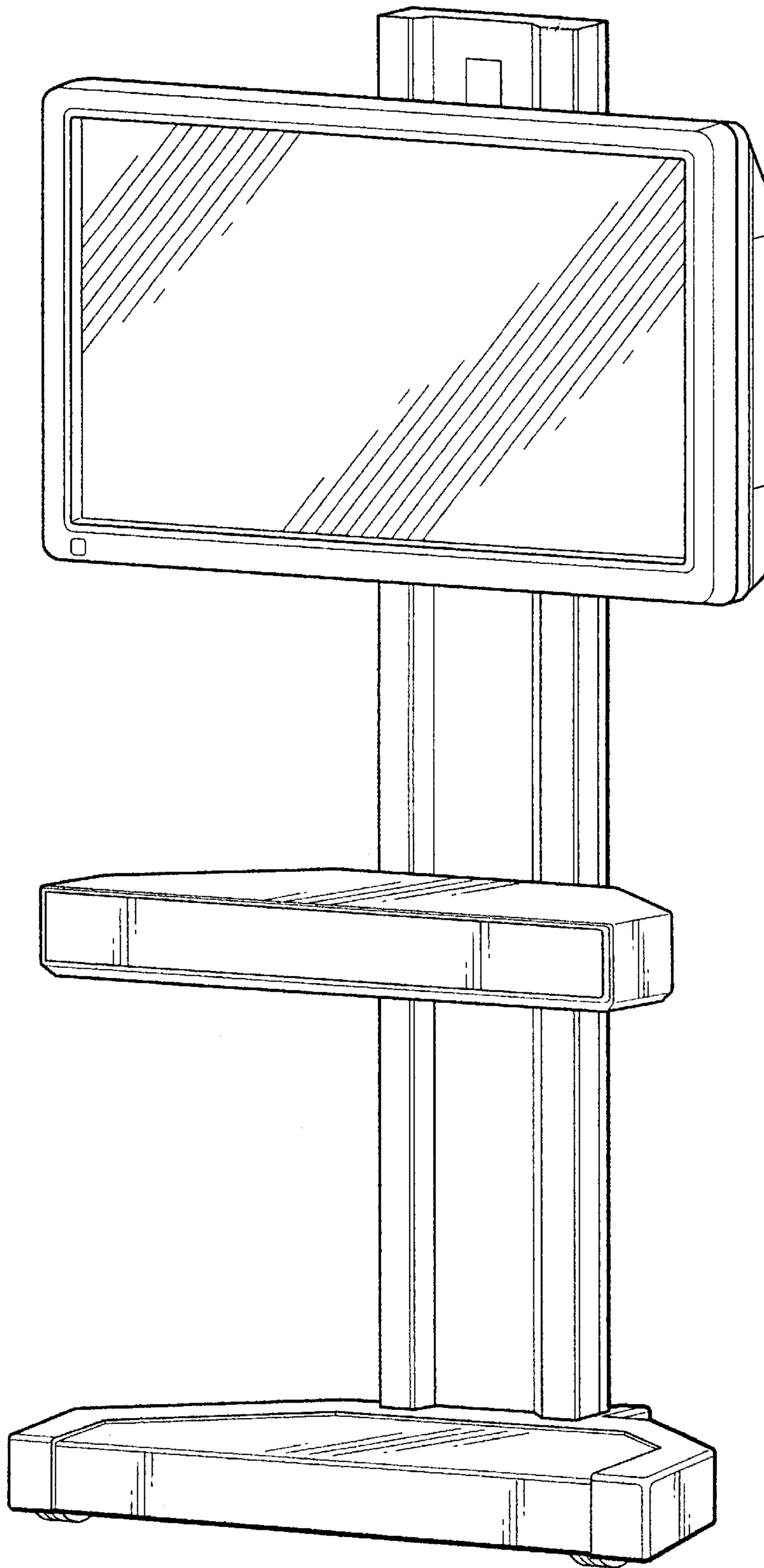


FIG. 1

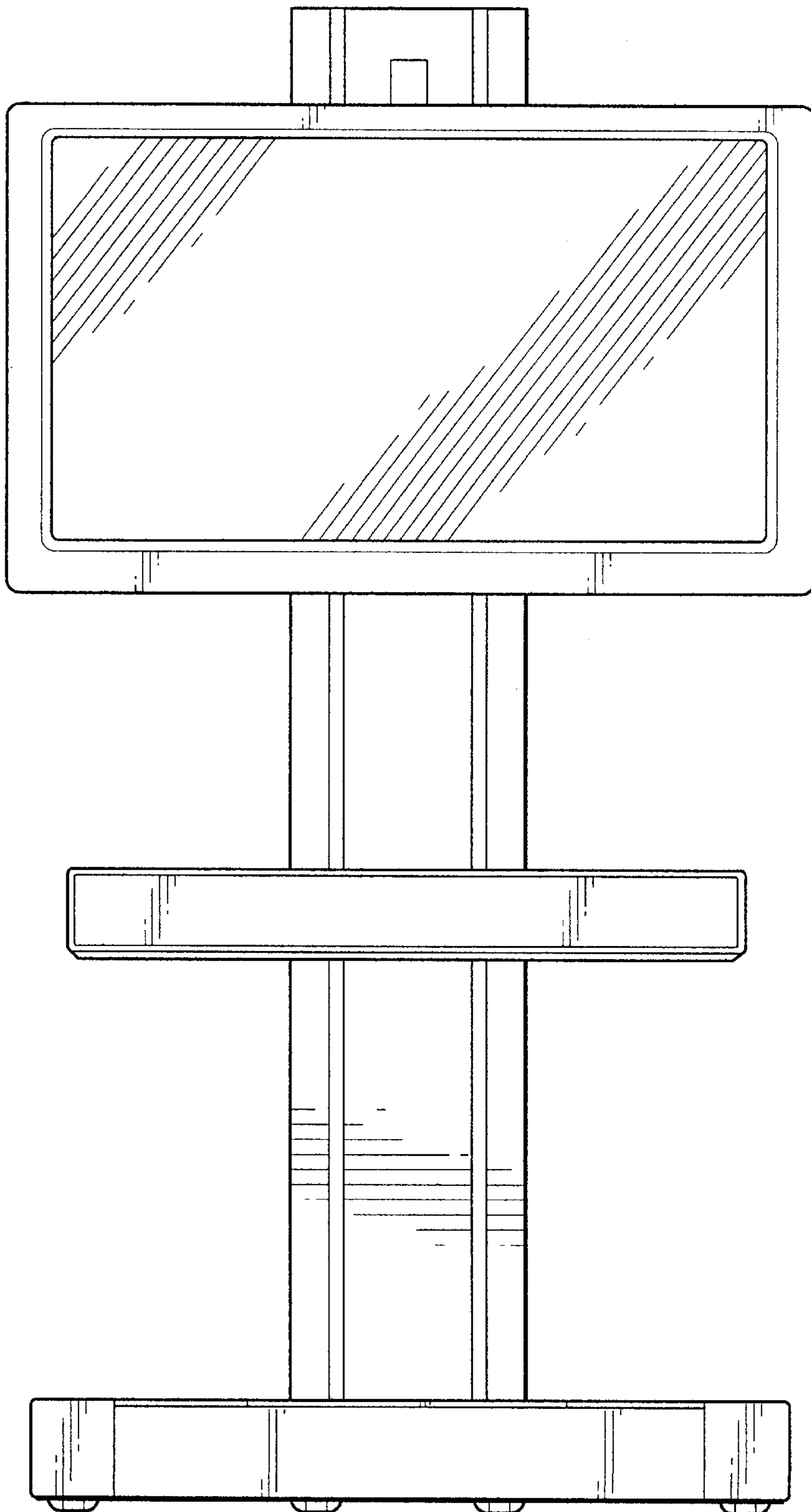


FIG. 2

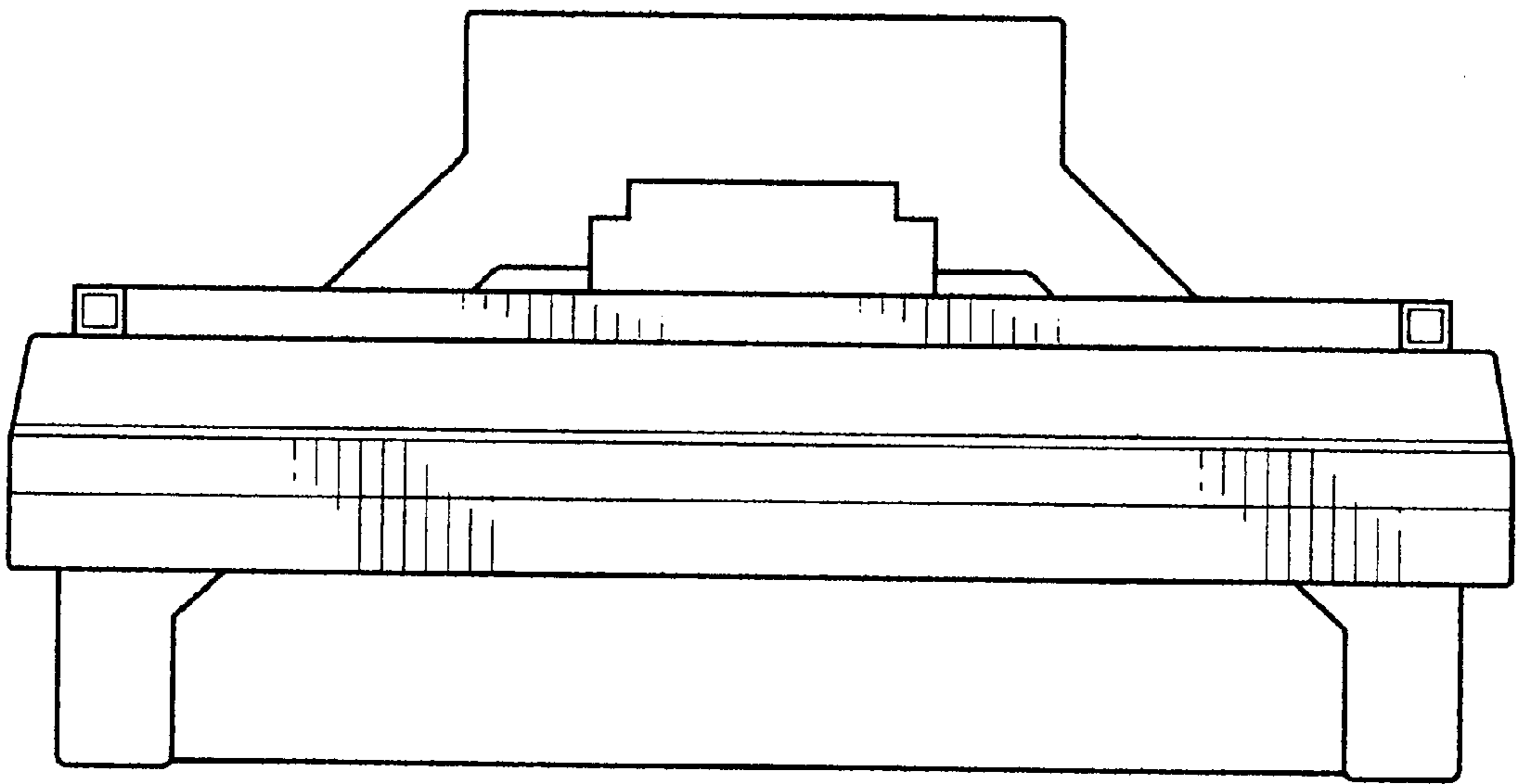


FIG. 3

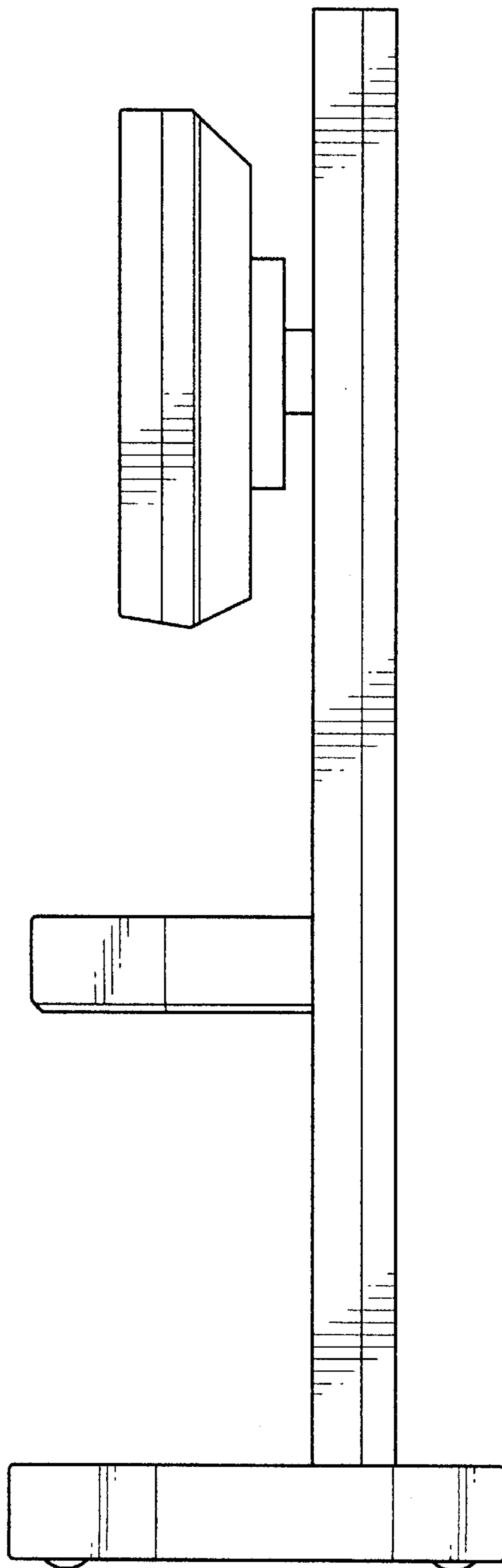


FIG. 4

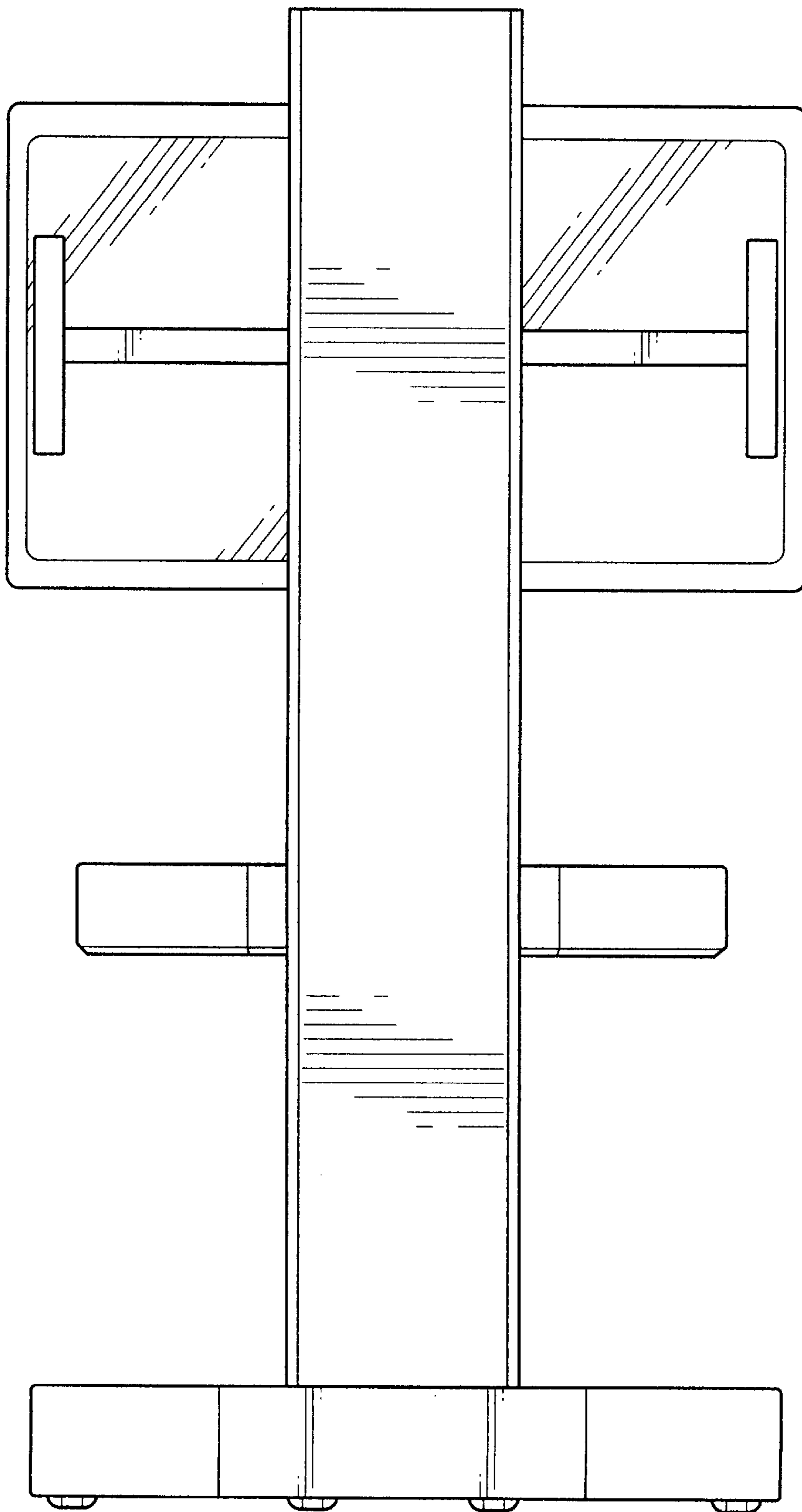


FIG. 5