



US00D438253S

(12) **United States Design Patent**  
**Korowitz et al.**

(10) **Patent No.:** **US D438,253 S**

(45) **Date of Patent:** **\*\* Feb. 27, 2001**

(54) **PEN AND NOTE HOLDER**

4,085,848 \* 4/1978 Tsuge ..... 211/45  
5,086,545 \* 2/1992 Suzuki ..... 24/67 R

(75) Inventors: **William Korowitz**, Roswell, GA (US);  
**John M. Melton**, Union, MO (US)

\* cited by examiner

*Primary Examiner*—Martie K. Holtje

(74) *Attorney, Agent, or Firm*—Howell & Haferkamp, LC

(73) Assignee: **Magnet, LLC**, Washington, MO (US)

(57) **CLAIM**

(\*\*) Term: **14 Years**

The ornamental design for pen and note holder, as shown and described.

(21) Appl. No.: **29/116,928**

**DESCRIPTION**

(22) Filed: **Jan. 12, 2000**

FIG. 1 is a perspective view of a pen and note holder showing our new design;

(51) **LOC (7) Cl.** ..... **19-06**

FIG. 2 is a top plan view of the pen and note holder of FIG. 1;

(52) **U.S. Cl.** ..... **D19/78; D19/83; D19/86; D19/90**

FIG. 3 is a front elevational view of the pen and note holder of FIG. 1;

(58) **Field of Search** ..... D19/65, 75, 77, D19/78, 81-85, 86, 90, 91, 99, 100; D8/395; 211/45, 69.1-69.9, 89.01; 281/30; 248/316.3; 24/67 R, 67.1, 67.11, 546, 11 PP; D14/117.3

FIG. 4 is a right side elevational view of the pen and note holder of FIG. 1, the left side elevational view being a mirror image thereof;

FIG. 5 is a rear elevational view of the pen and note holder of FIG. 1;

(56) **References Cited**

**U.S. PATENT DOCUMENTS**

D. 393,878	*	4/1998	Suzuki	.....	D19/65
D. 405,828	*	2/1999	Richter	.....	D19/65
D. 412,898	*	8/1999	Adams et al.	.....	D14/117.3
D. 414,483	*	9/1999	Cox et al.	.....	D14/117.3
D. 419,192	*	1/2000	Huang	.....	D19/78
637,889	*	11/1899	Parker et al.	.....	281/30
803,464	*	10/1905	Beck	.....	24/11 PP
2,232,883	*	2/1941	Caccivio	.....	248/316.3
2,858,539	*	11/1958	Carlson	.....	24/546

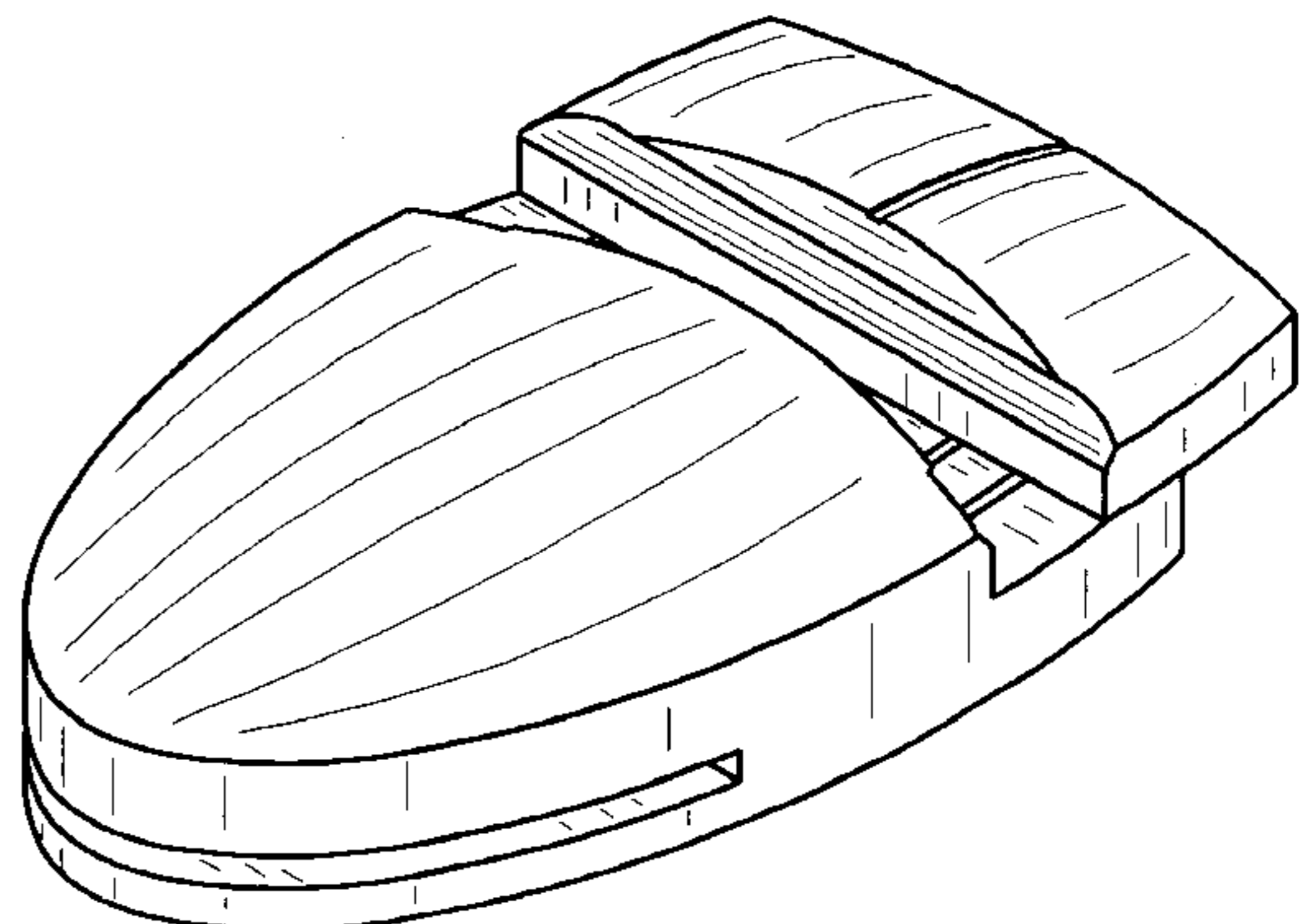
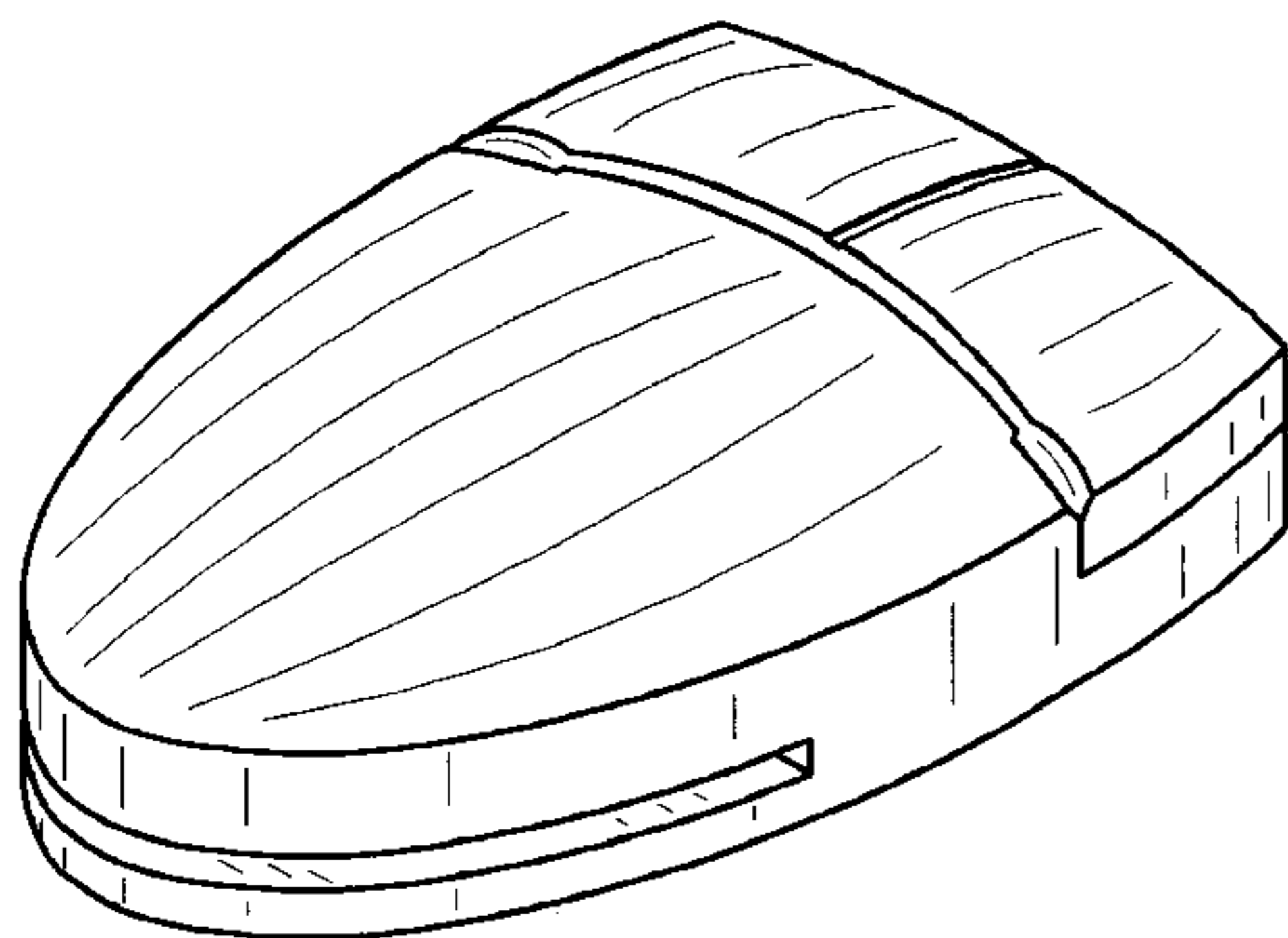
FIG. 6 is a bottom plan view of the pen and note holder of FIG. 1;

FIG. 7 is a perspective view of the pen and note holder of FIG. 1, showing a pen holding portion in an open position;

FIG. 8 is a top plan view of the pen and note holder of FIG. 7; and,

FIG. 9 is a right side elevational view of the pen and note holder of FIG. 7, the left side elevational view being a mirror image thereof.

**1 Claim, 2 Drawing Sheets**



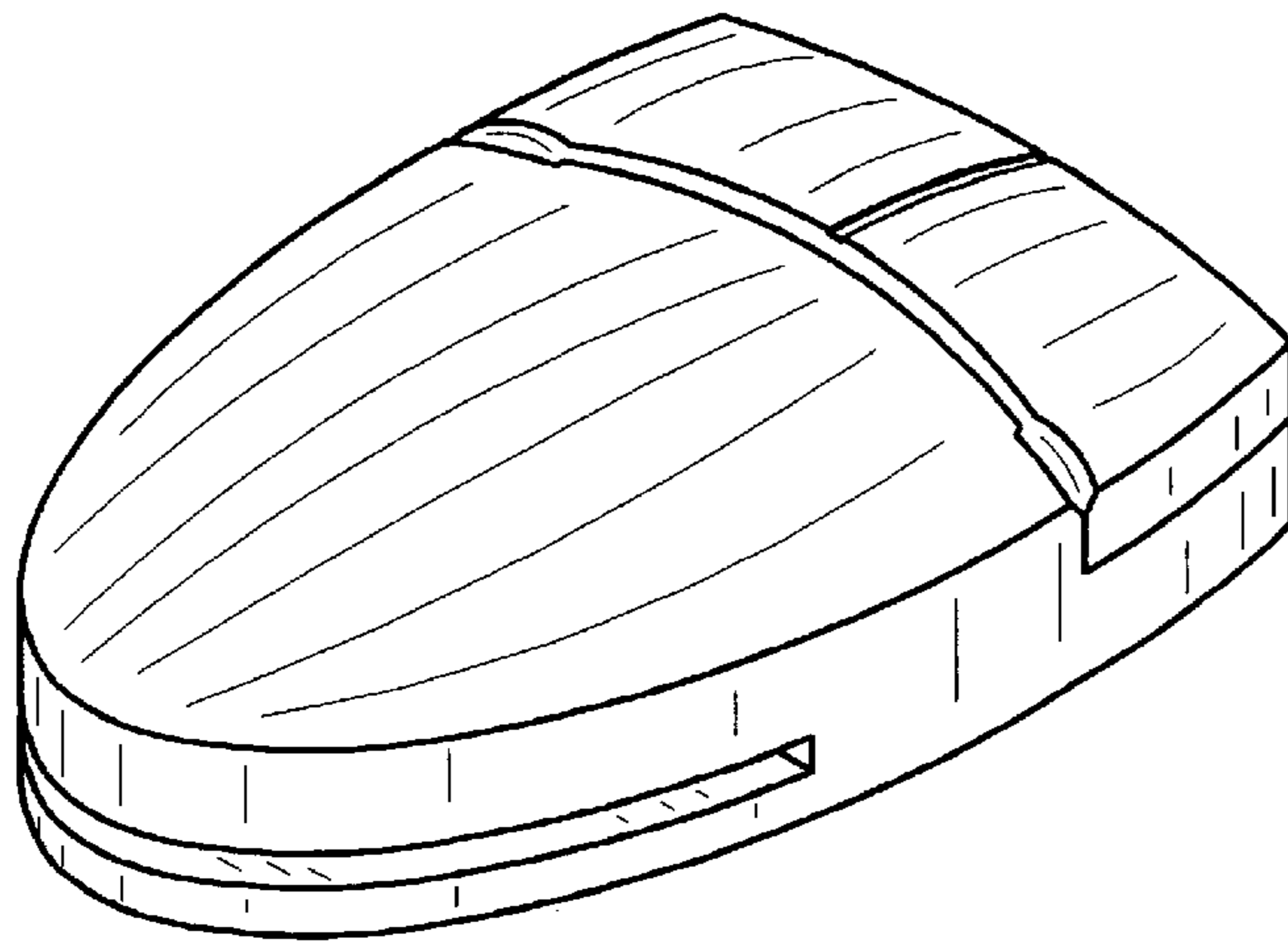


FIG. 1

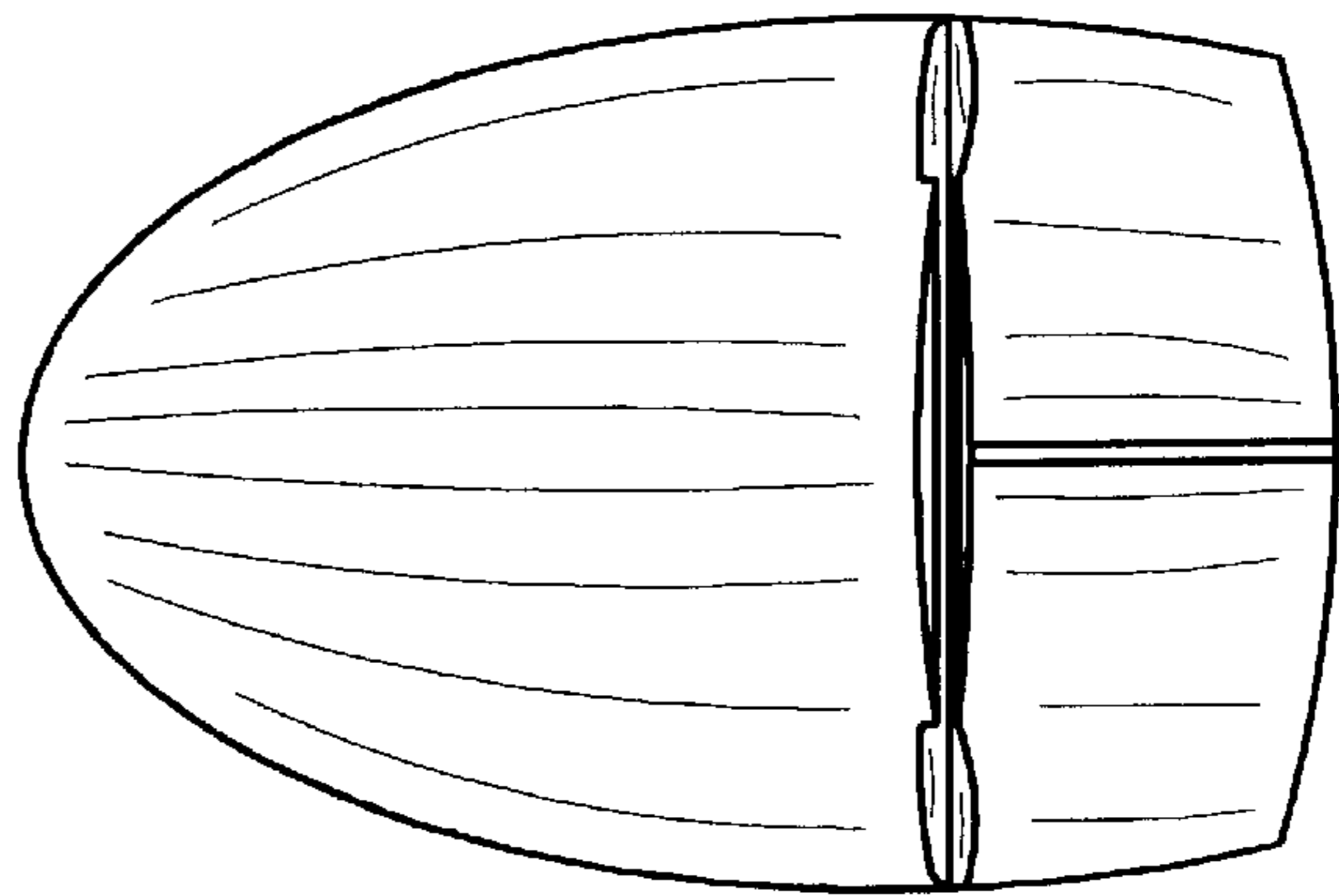


FIG. 2

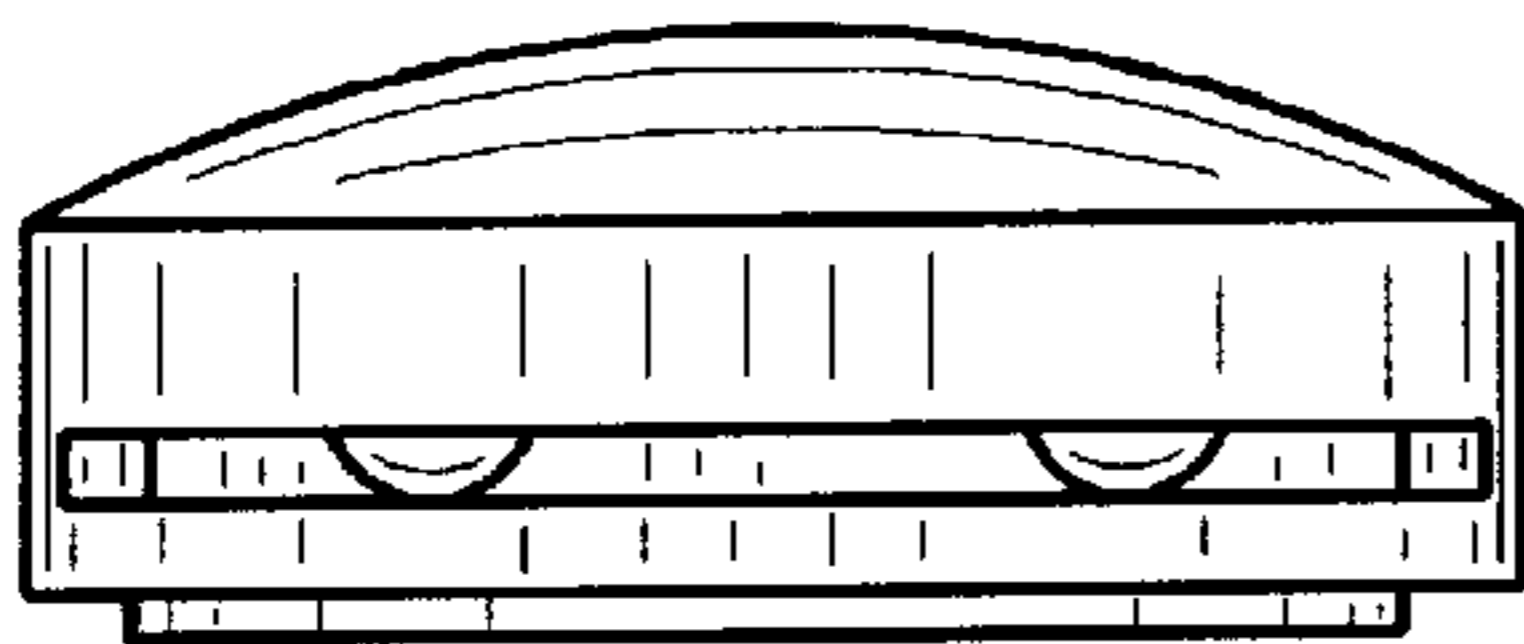


FIG. 3

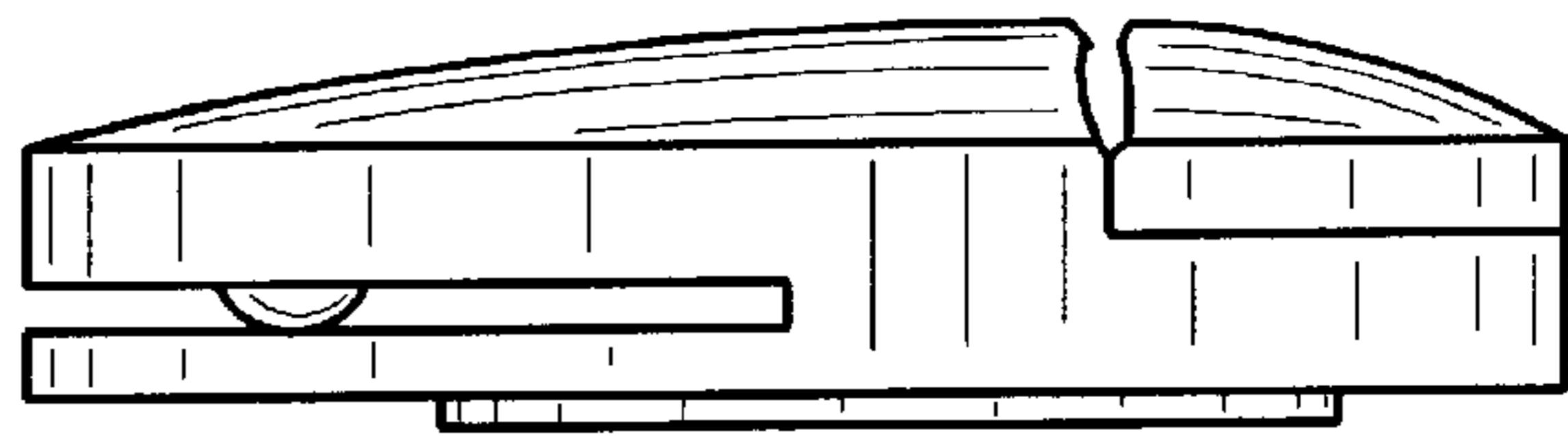


FIG. 4

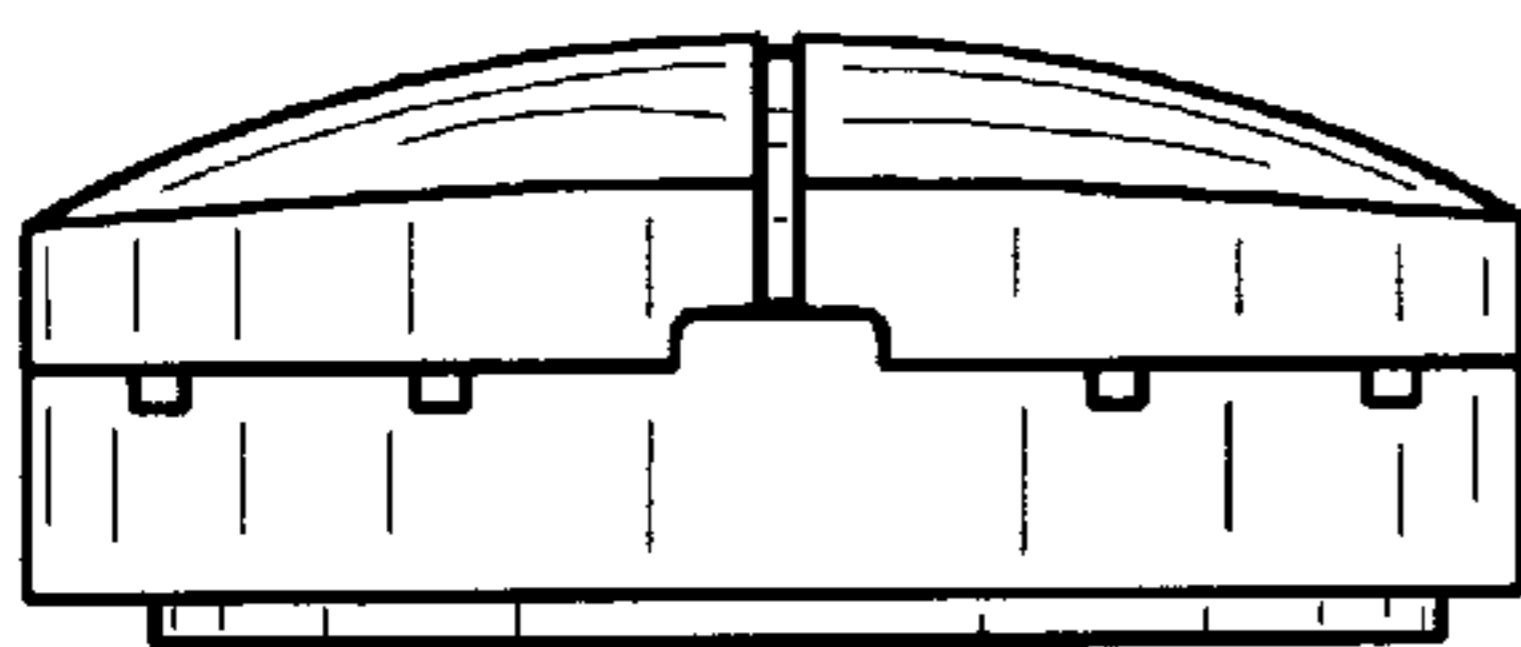


FIG. 5

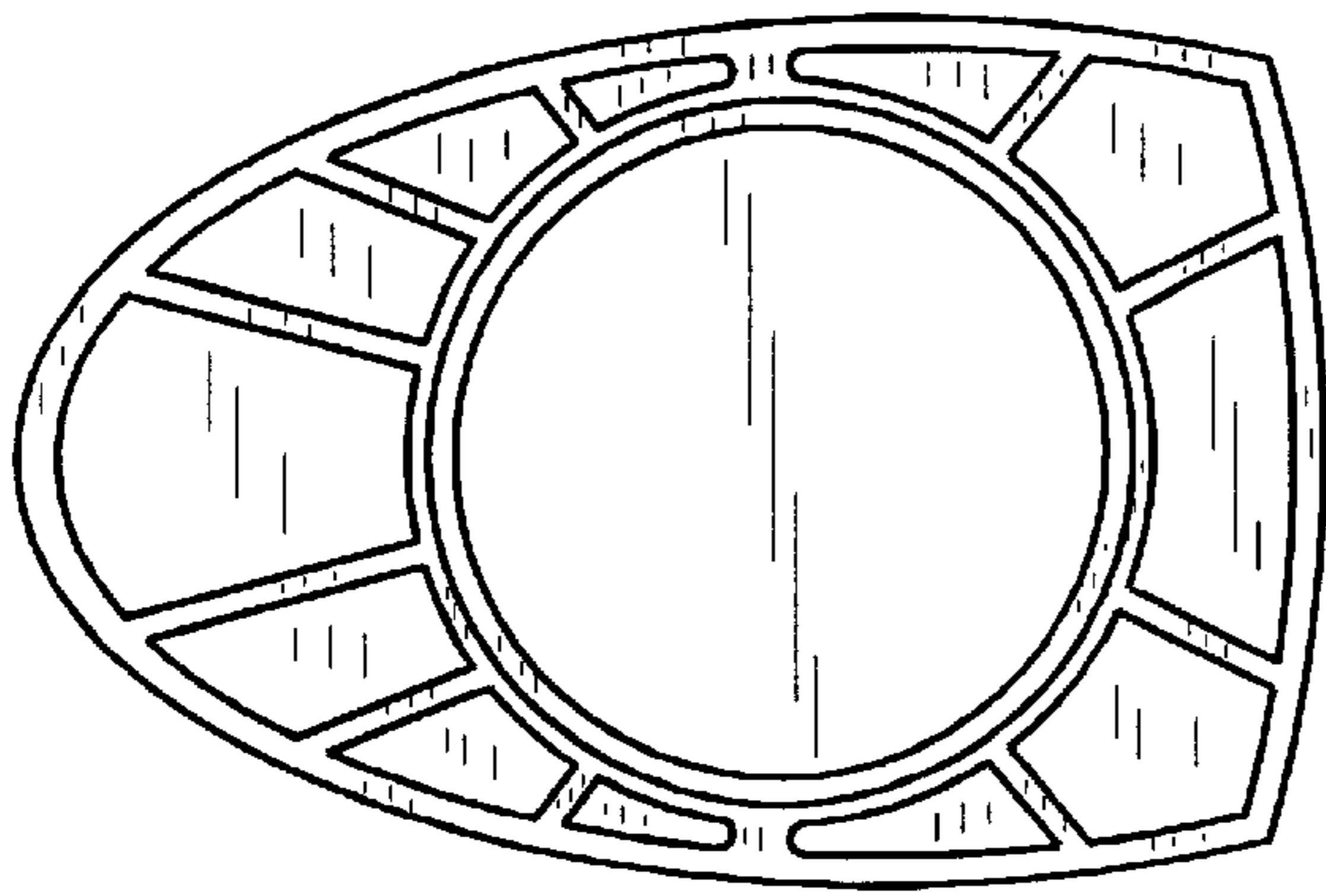


FIG. 6

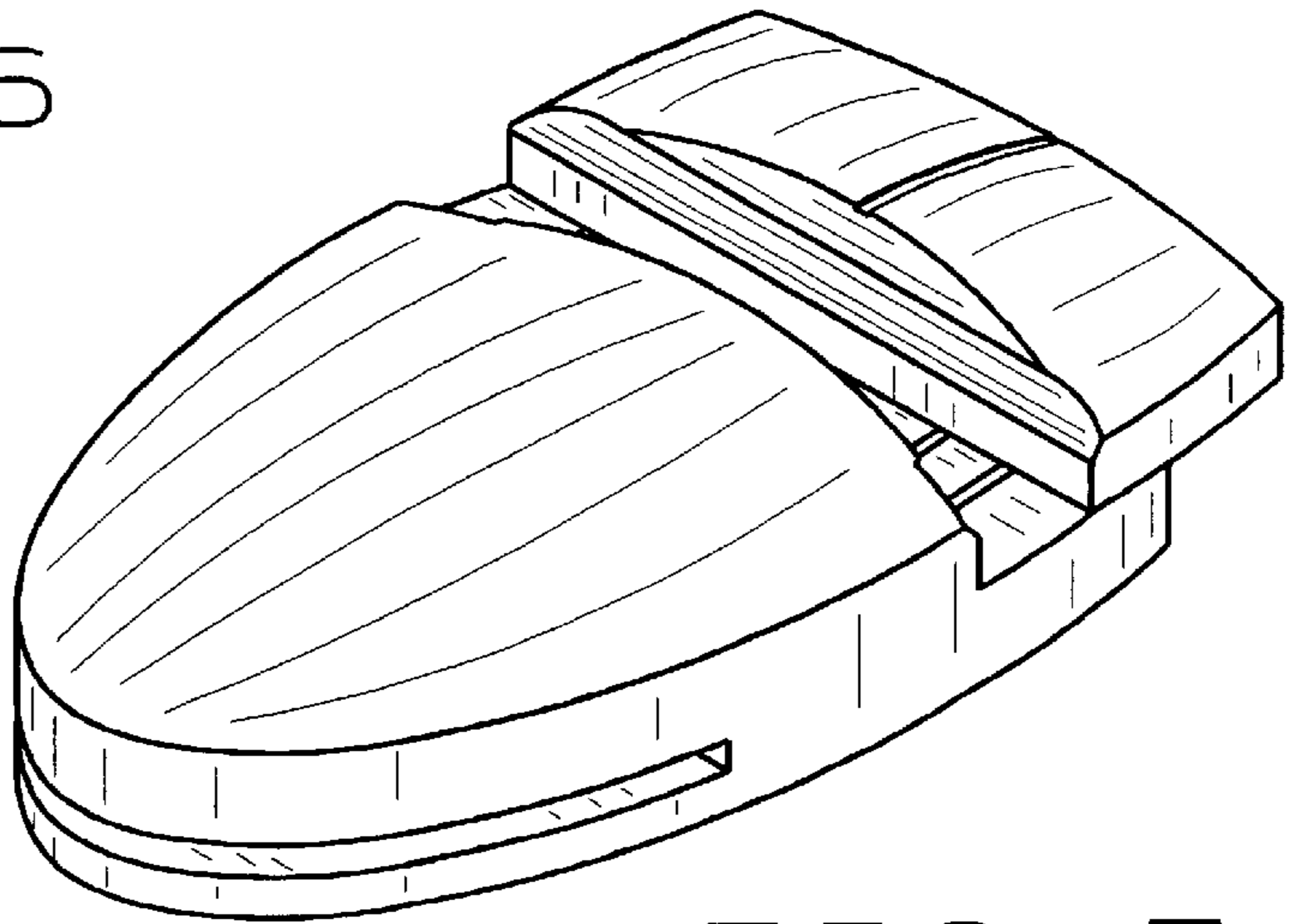


FIG. 7

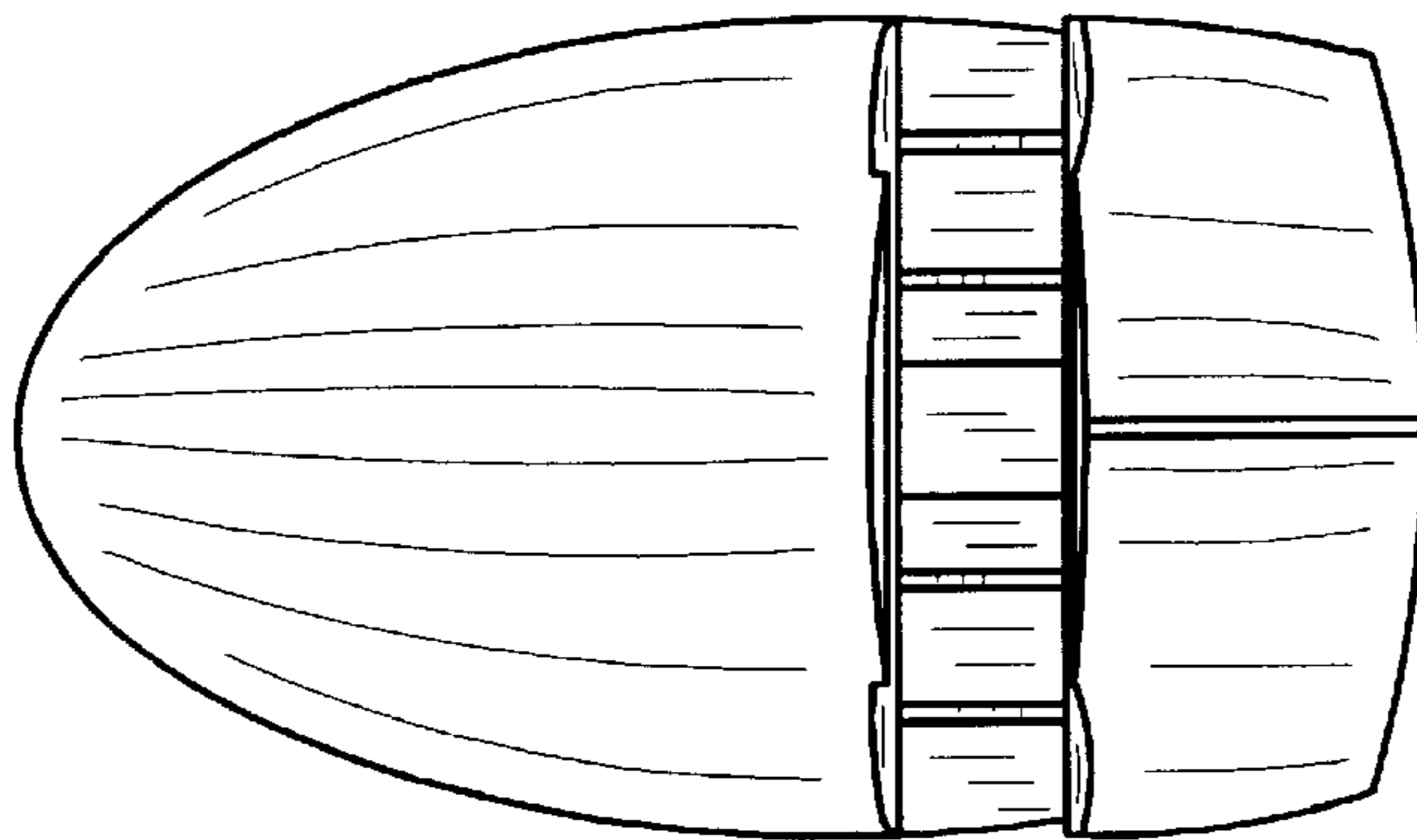


FIG. 8

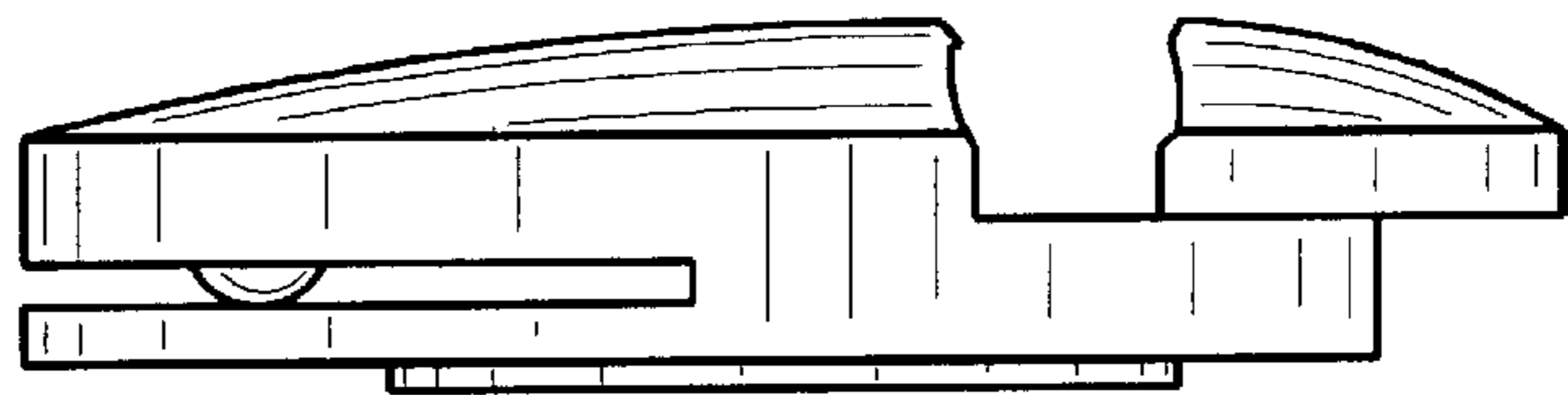


FIG. 9