



US00D438251S

(12) **United States Design Patent**
Katami

(10) **Patent No.:**

US D438,251 S

(45) **Date of Patent:**

**** Feb. 27, 2001**

(54) **CORRECTION TAPE DISPENSER**

(75) Inventor: **Kazunori Katami**, Tsurugashima (JP)

(73) Assignee: **Tombow Pencil Co., Ltd.**, Tokyo (JP)

(**) Term: **14 Years**

(21) Appl. No.: **29/119,951**

(22) Filed: **Mar. 10, 2000**

(30) **Foreign Application Priority Data**

Sep. 17, 1999 (JP) 11-25186
Sep. 17, 1999 (JP) 11-25187
Sep. 17, 1999 (JP) 11-25188

(51) **LOC (7) Cl.** **19-02**

(52) **U.S. Cl.** **D19/69; D19/67; D19/53**

(58) **Field of Search** D19/65, 67, 68,
D19/69, 72, 89, 95, 100, 77; 156/523, 527,
327, 577; 225/6, 7, 12, 19, 34, 35, 45,
46, 65, 77, 89, 11; 242/588, 588.1, 588.6,
590

(56) **References Cited**

U.S. PATENT DOCUMENTS

D. 378,532 3/1997 Suzuki D19/69
D. 400,923 11/1998 Katami D19/69
D. 418,165 12/1999 Katami D19/69
D. 420,389 * 2/2000 Shimizu D19/69
D. 421,059 * 2/2000 Shimizu D19/69
D. 424,116 * 5/2000 You D19/69
D. 424,619 5/2000 Katami D19/69
5,430,904 * 7/1995 Ono et al. 15/104.94
5,595,626 * 1/1997 Yokouchi et al. 156/577
6,079,660 * 6/2000 Manusch et al. 242/538.1

FOREIGN PATENT DOCUMENTS

969365-1 11/1992 (JP) .
891072 2/1994 (JP) .
891073 2/1994 (JP) .

962856 9/1996 (JP) .
962856-1 9/1996 (JP) .
969363 11/1996 (JP) .
969364 11/1996 (JP) .
969365 11/1996 (JP) .
969918 12/1996 (JP) .
969919 12/1996 (JP) .
969920 12/1996 (JP) .
974136 2/1997 (JP) .
1009229 5/1998 (JP) .
1037591 5/1999 (JP) .
1041138 6/1999 (JP) .
1041138-1 6/1999 (JP) .
1045658 8/1999 (JP) .
1056431 12/1999 (JP) .

OTHER PUBLICATIONS

Kazunori Katami, co-pending U.S. application No. 29/119,962, entitled "Tape Dispenser Cartridge," filed Mar. 10, 2000, in its entirety.

* cited by examiner

Primary Examiner—Martie K. Holtje
(74) *Attorney, Agent, or Firm*—Garrison, Morris, Haight & Morrow, PLLC

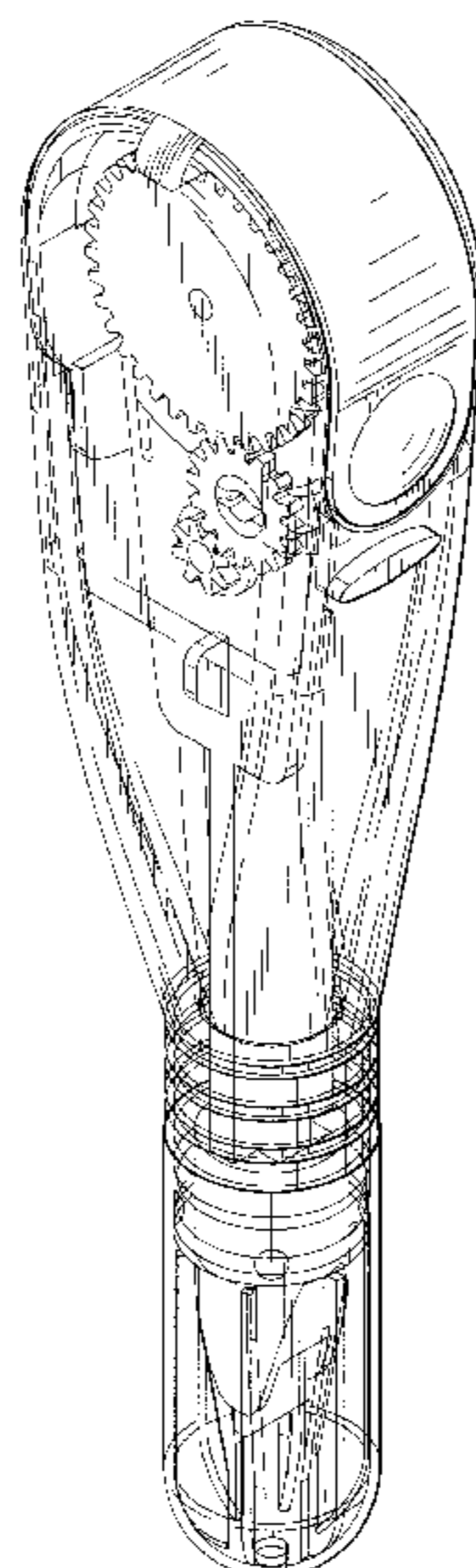
(57) **CLAIM**

The ornamental design for a correction tape dispenser, as shown and described.

DESCRIPTION

FIG. 1 is a perspective view of a correction tape dispenser showing a first embodiment of my new design;
FIG. 2 is a front view of FIG. 1;
FIG. 3 is a rear view of FIG. 1;
FIG. 4 is a left-side view of FIG. 1;
FIG. 5 is a right-side view of FIG. 1;
FIG. 6 is a top view of FIG. 1; and,
FIG. 7 is a bottom view of FIG. 1.

1 Claim, 5 Drawing Sheets



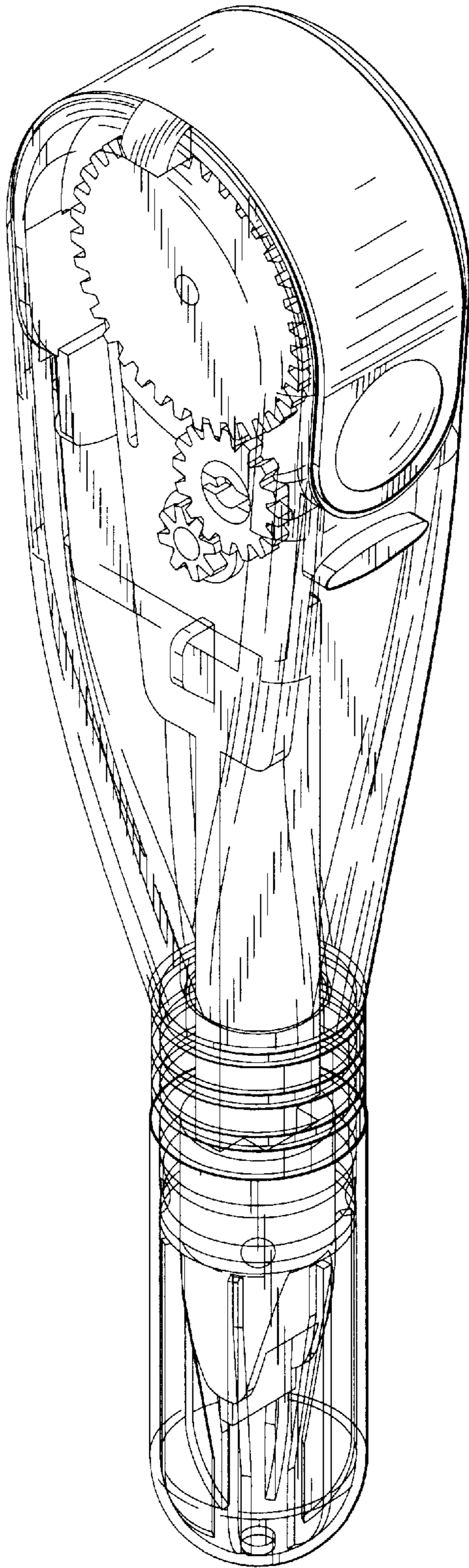


FIG 1

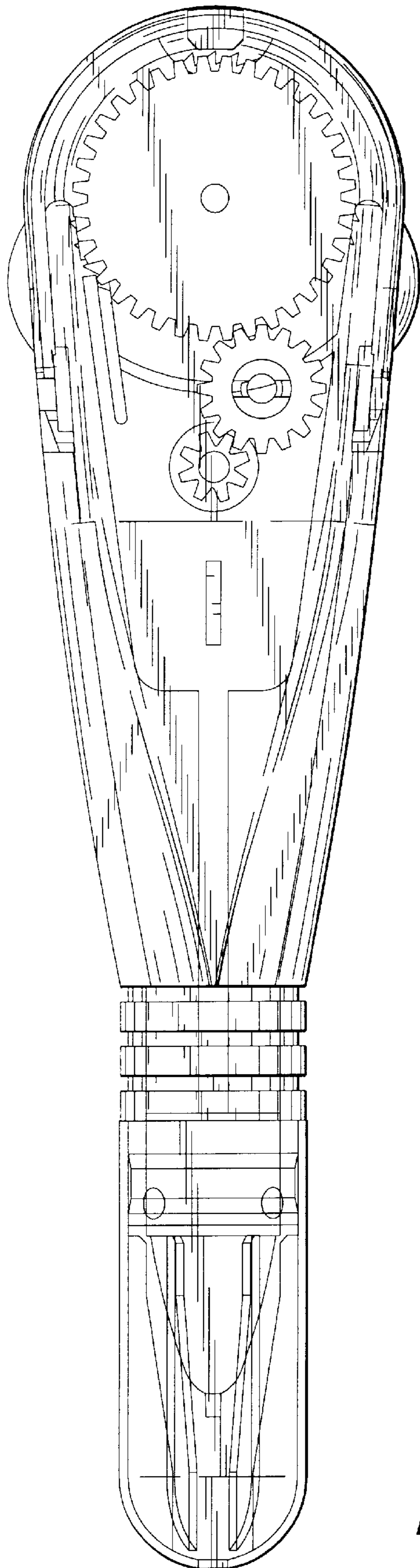


FIG 2

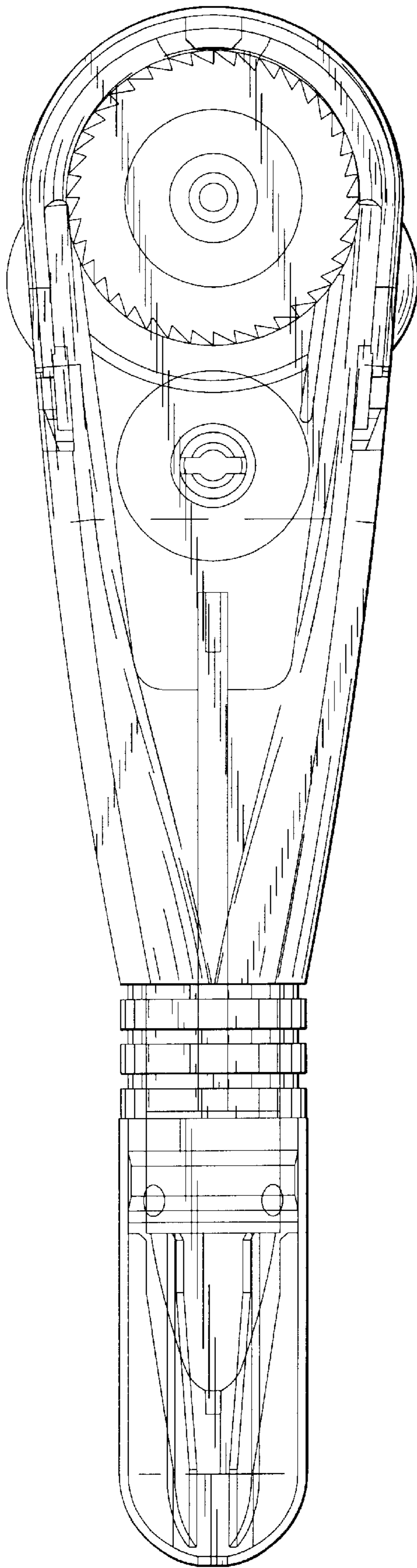


FIG 3

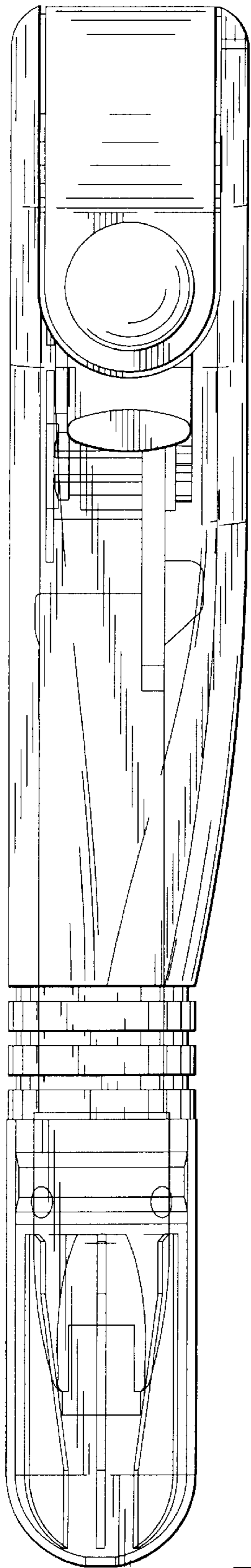


FIG 4

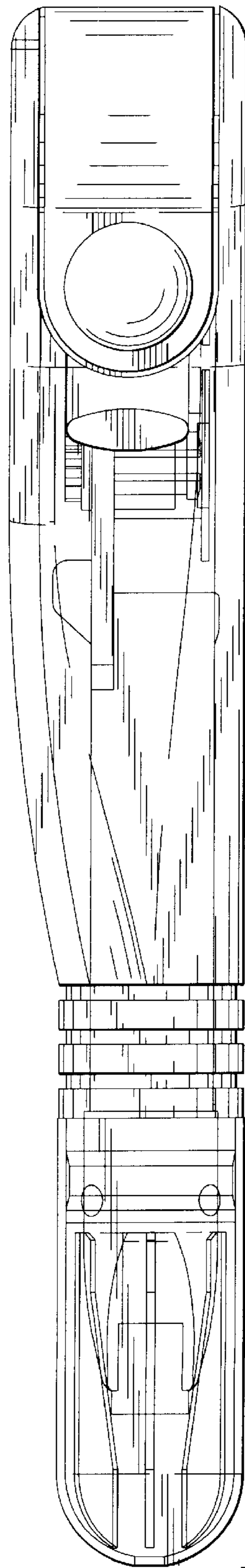


FIG 5

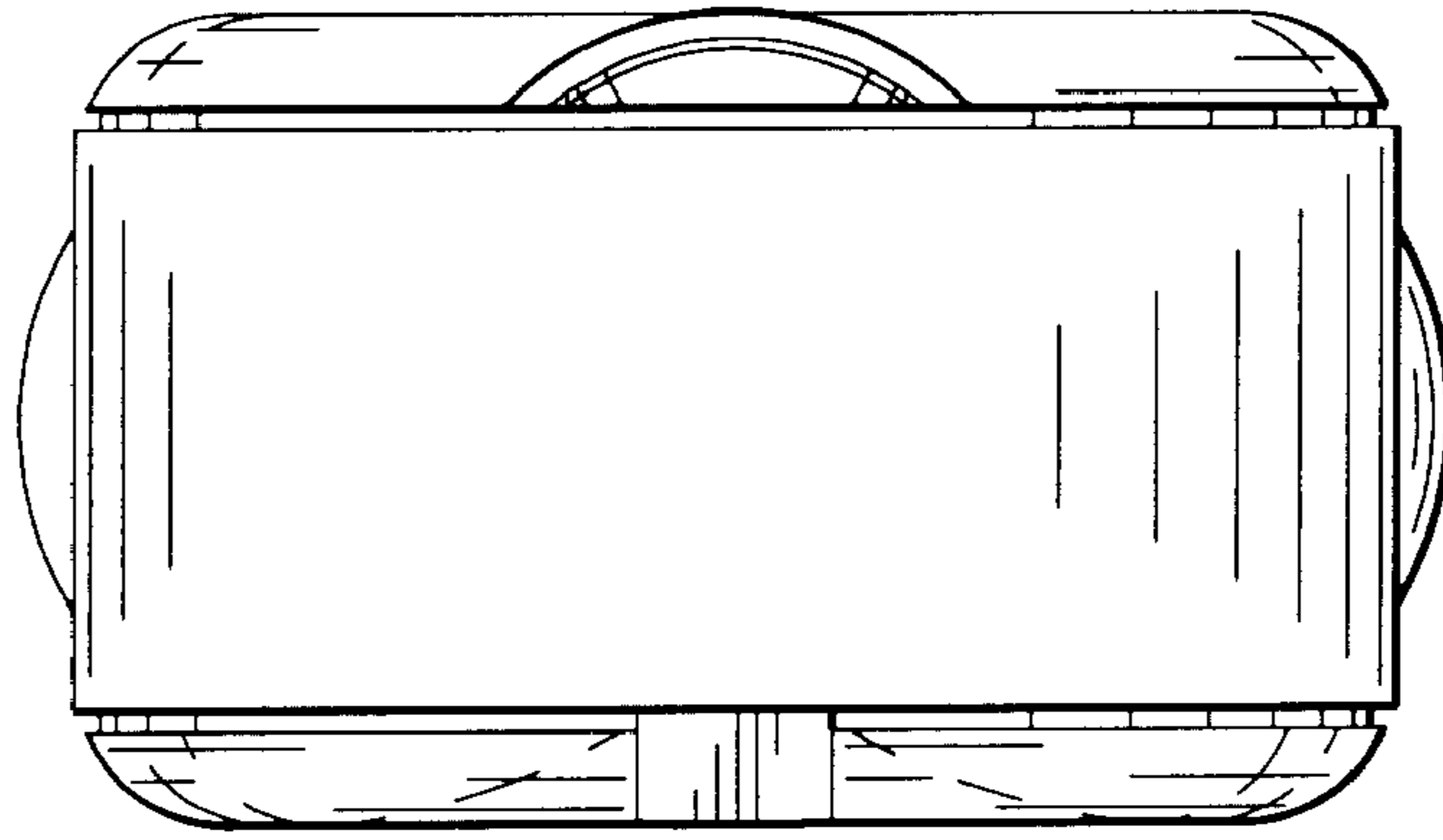


FIG 6

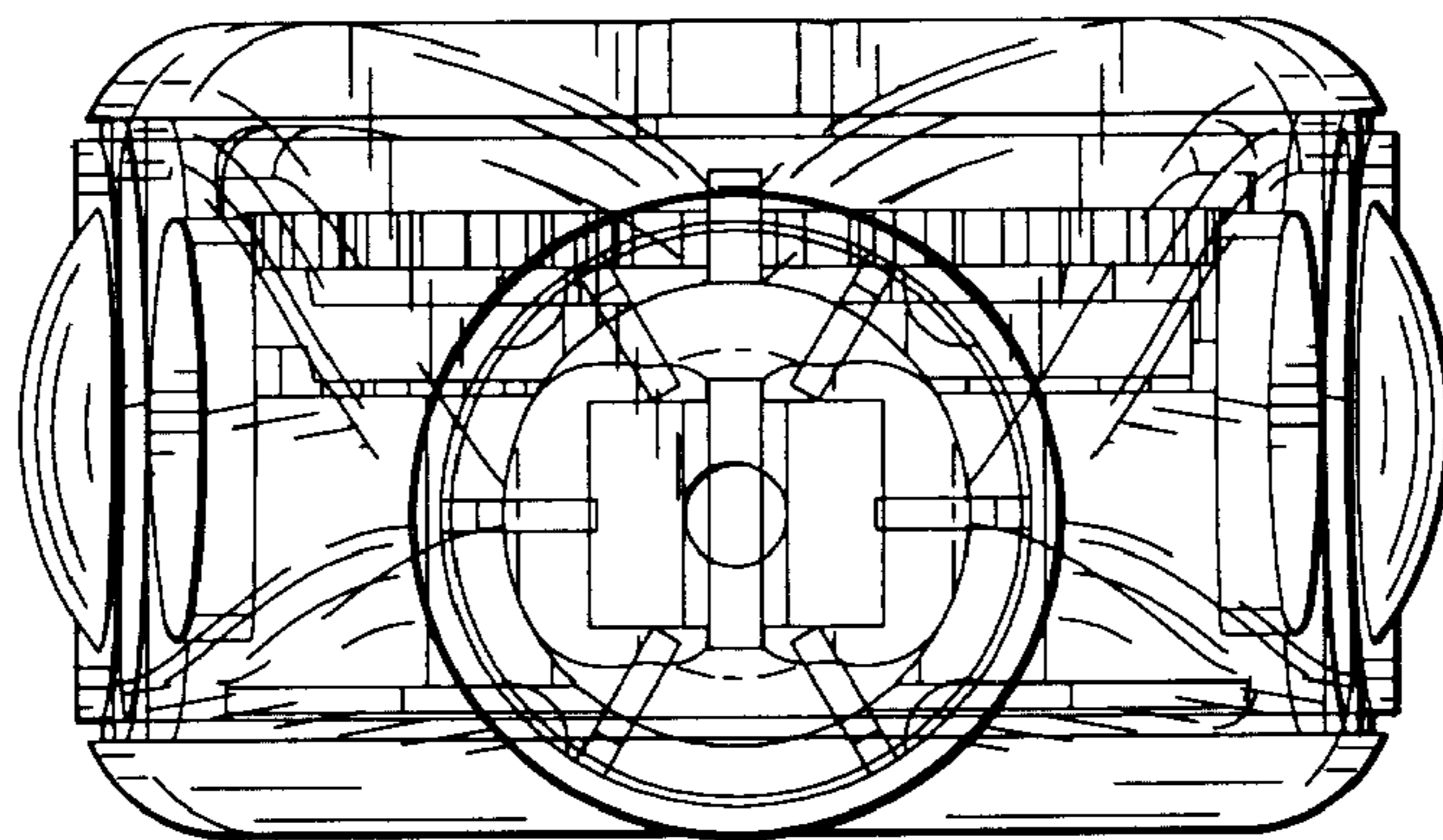


FIG 7

UNITED STATES PATENT AND TRADEMARK OFFICE
CERTIFICATE OF CORRECTION

PATENT NO. : Des. 438,251 S
DATED : February 27, 2001
INVENTOR(S) : Kazunori Katami

Page 1 of 1

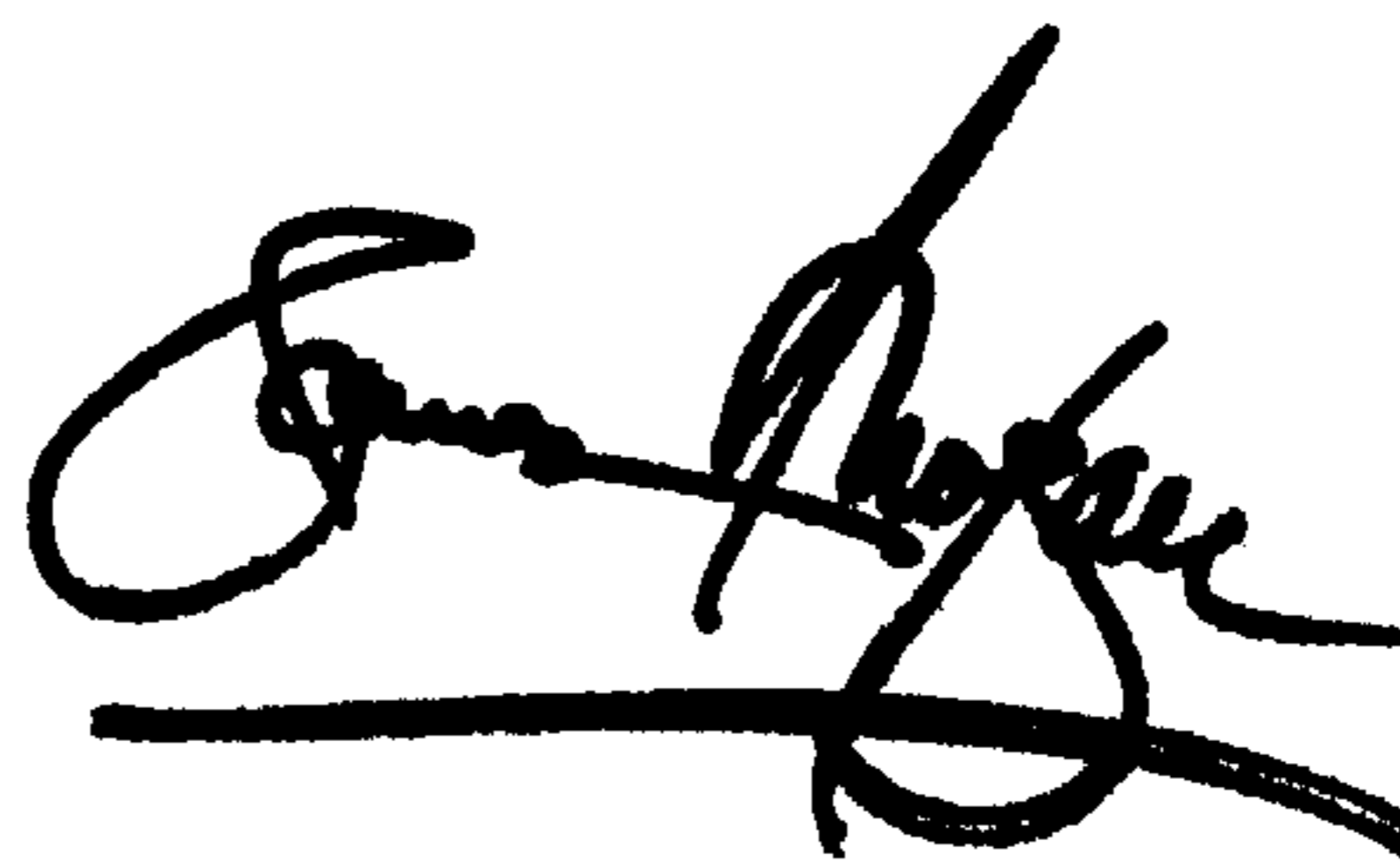
It is certified that error appears in the above-identified patent and that said Letters Patent is hereby corrected as shown below:

Title page,
DESCRIPTION,
FIG. 1, after "showing", "a first embodiment" is deleted.

Signed and Sealed this

Twenty-fourth Day of September, 2002

Attest:



Attesting Officer

JAMES E. ROGAN
Director of the United States Patent and Trademark Office