



US00D438250S

(12) **United States Design Patent**  
**Katami**

(10) **Patent No.:** **US D438,250 S**

(45) **Date of Patent:** **\*\* Feb. 27, 2001**

(54) **CORRECTION TAPE DISPENSER HOUSING**

(75) Inventor: **Kazunori Katami**, Tsurugashima (JP)

(73) Assignee: **Tombow Pencil Co., Ltd.**, Tokyo (JP)

(\*\*) Term: **14 Years**

(21) Appl. No.: **29/118,798**

(22) Filed: **Feb. 16, 2000**

**Related U.S. Application Data**

(62) Division of application No. 29/089,426, filed on Jun. 15, 1998, now Pat. No. Des. 424,619.

(51) **LOC (7) Cl.** ..... **19-02**

(52) **U.S. Cl.** ..... **D19/69; D19/67**

(58) **Field of Search** ..... D19/65, 67, 68, D19/69, 70, 53, 89, 99, 100; D10/72; 225/6, 7, 19, 24, 25, 34, 35, 45, 56, 65, 77, 89; 156/510, 327, 527, 577, 576, 540, 564; 242/588, 588.1-588.6

(56) **References Cited**

**U.S. PATENT DOCUMENTS**

D. 355,934 \* 2/1995 Oga et al. .... D19/69

D. 369,385 \* 4/1996 Lapointe ..... D19/69  
D. 420,389 \* 2/2000 Shimizu ..... D19/69  
D. 421,059 \* 2/2000 Shimizu ..... D19/69  
D. 424,619 \* 5/2000 Katami ..... D19/69  
5,670,014 \* 9/1997 Mendelovich et al. .... 156/523  
5,772,840 \* 6/1998 Morinaga ..... 156/540  
5,851,347 \* 12/1998 Rodriguez ..... 156/576

\* cited by examiner

*Primary Examiner*—Martie K. Holtje

(74) *Attorney, Agent, or Firm*—Garrison, Morris, Haight & Morrow, PLLC

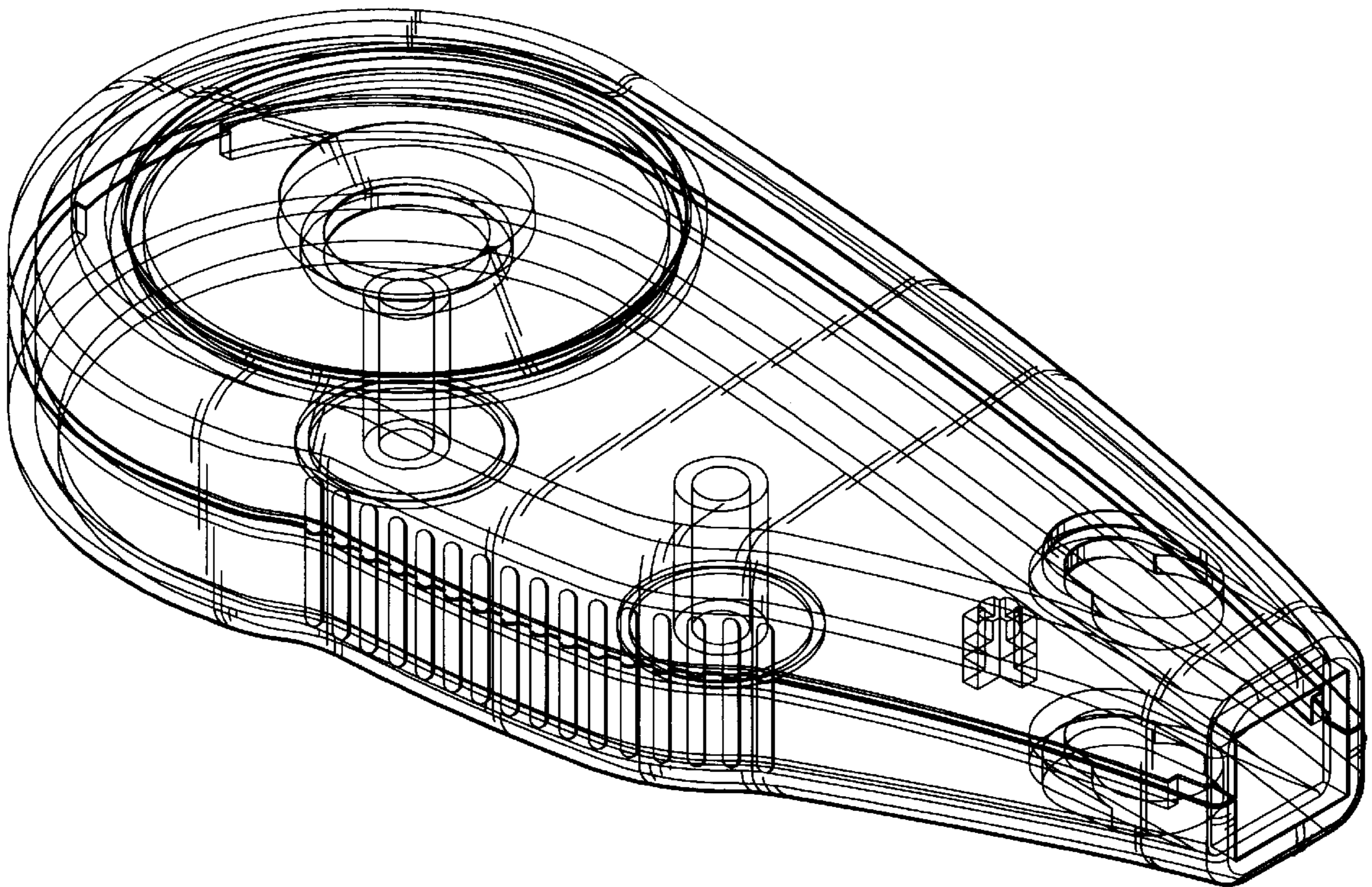
(57) **CLAIM**

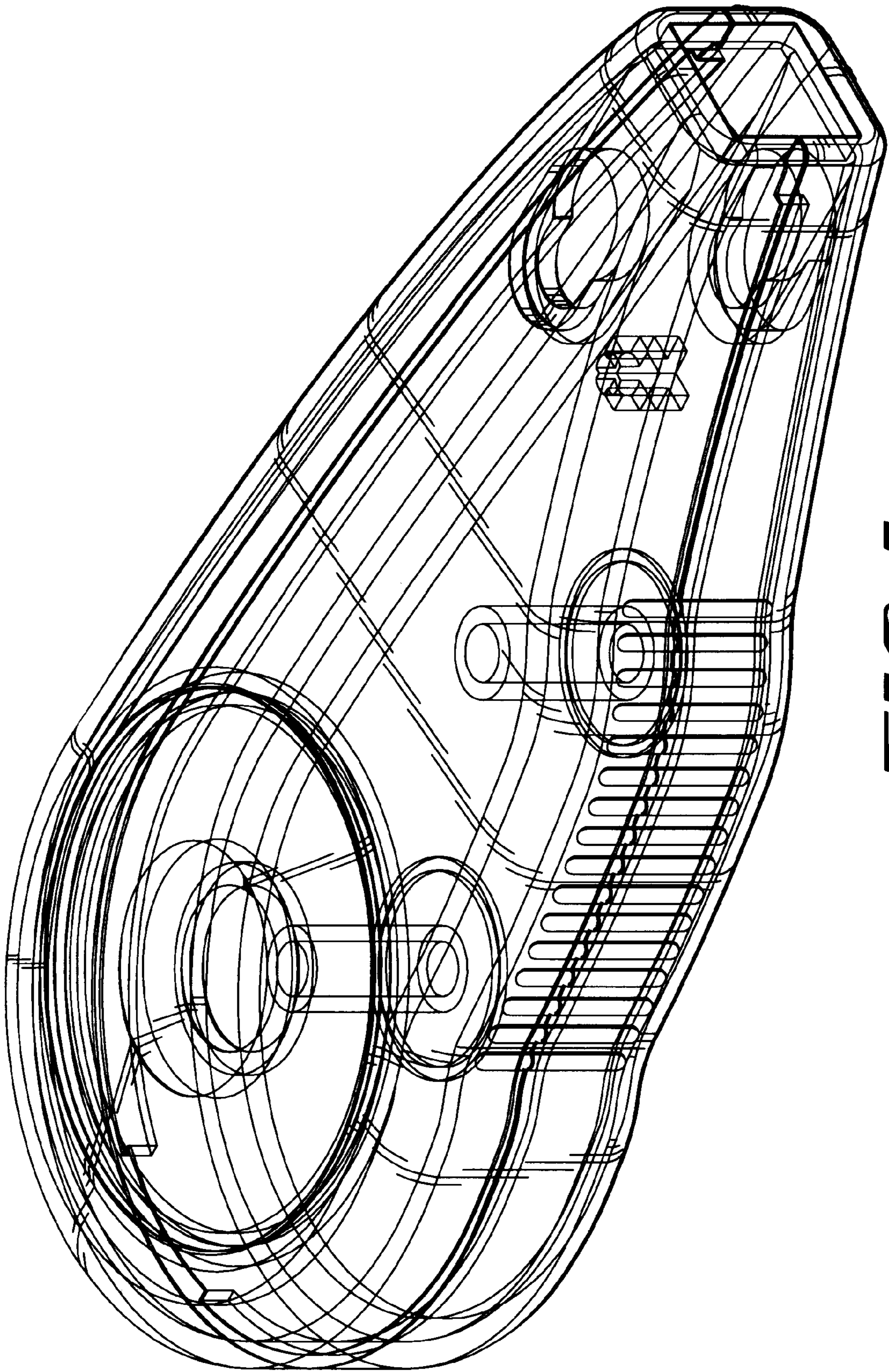
The ornamental design for a correction tape dispenser housing, as shown and described.

**DESCRIPTION**

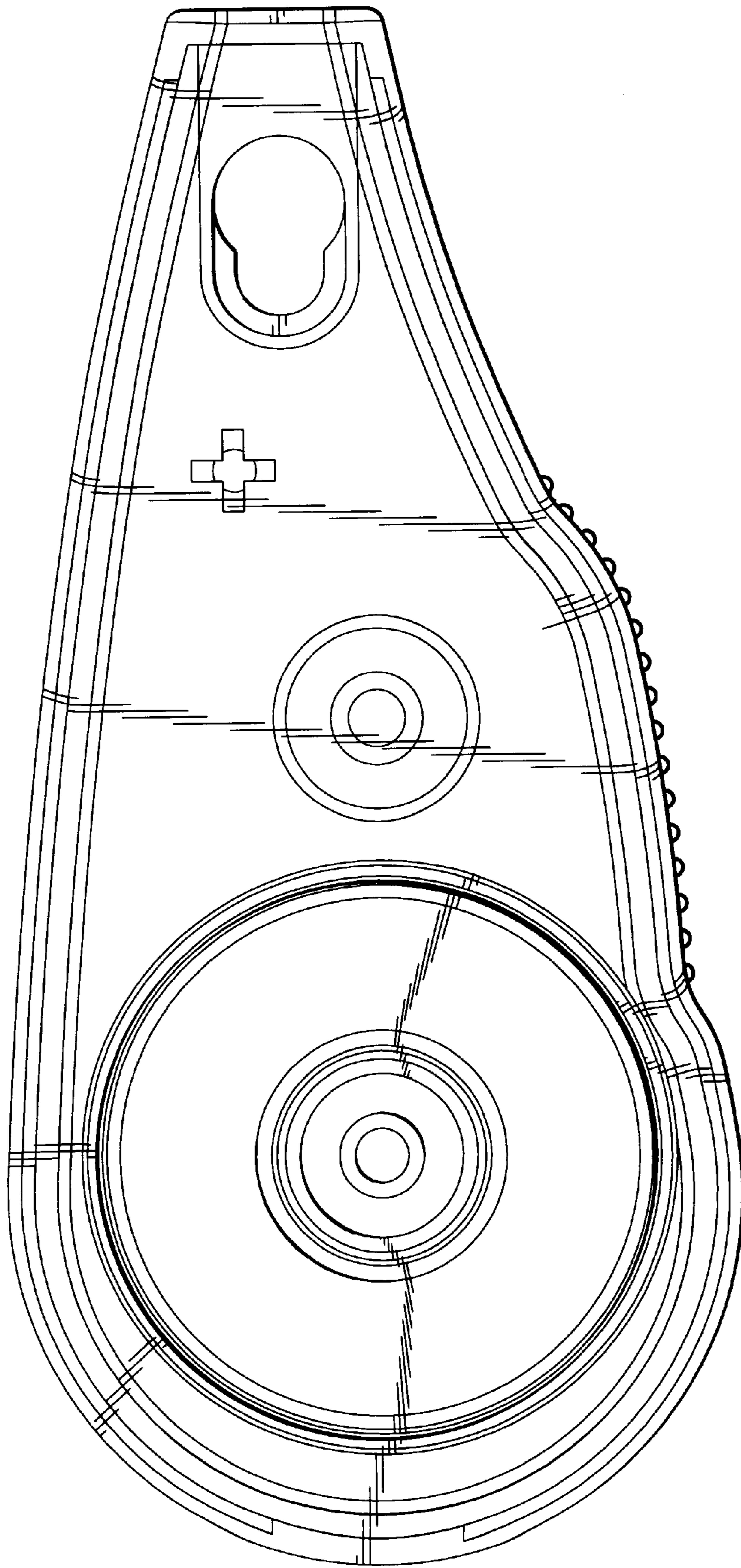
FIG. 1 is a perspective view of a correction tape dispenser showing my new design;  
FIG. 2 is a left-side view thereof;  
FIG. 3 is a right-side view thereof;  
FIG. 4 is a top view thereof;  
FIG. 5 is a bottom view thereof;  
FIG. 6 is a front view thereof; and,  
FIG. 7 is a rear view thereof.

**1 Claim, 5 Drawing Sheets**

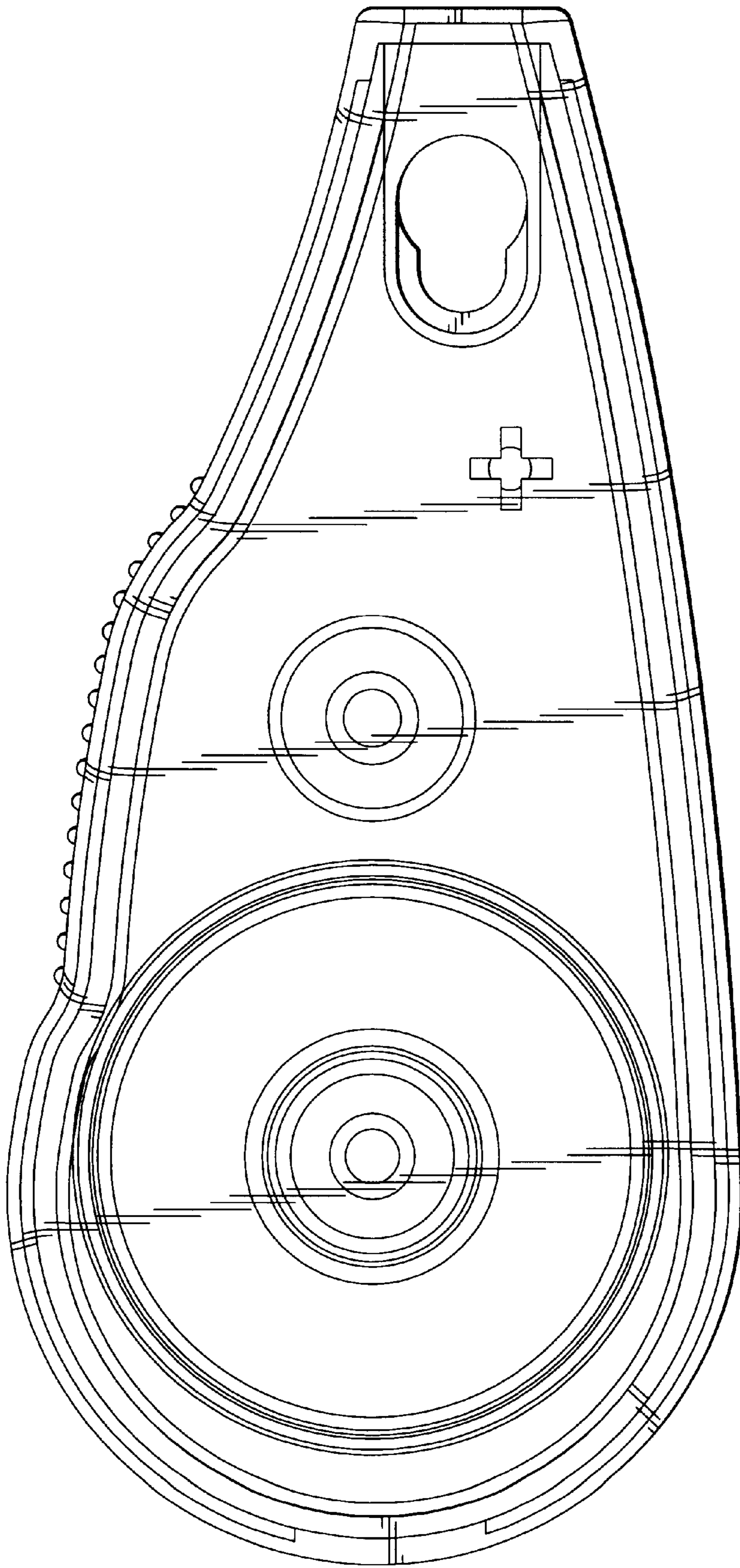




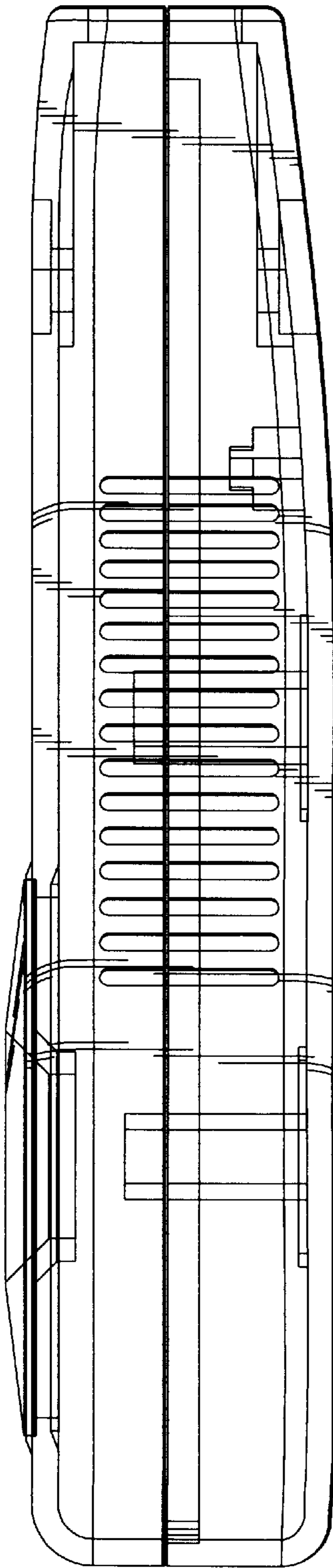
**FIG 1**



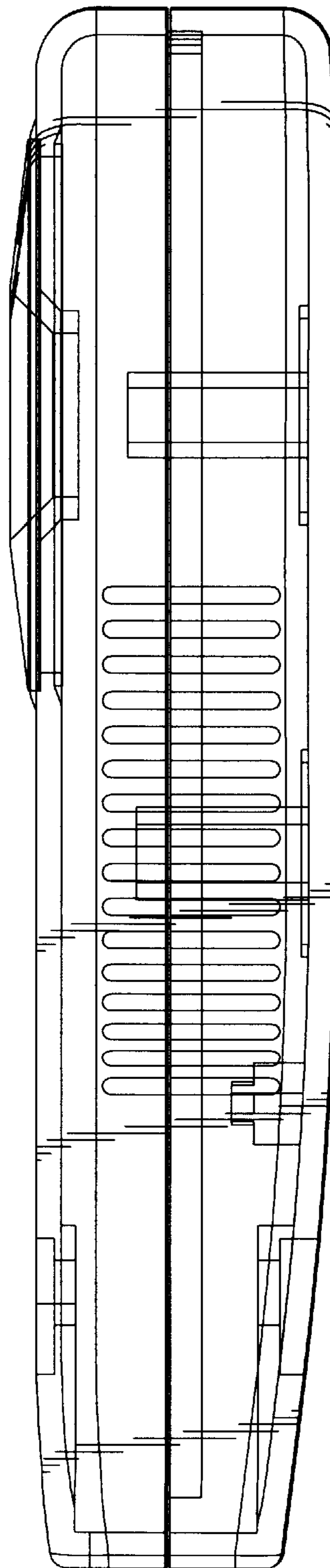
**FIG 2**



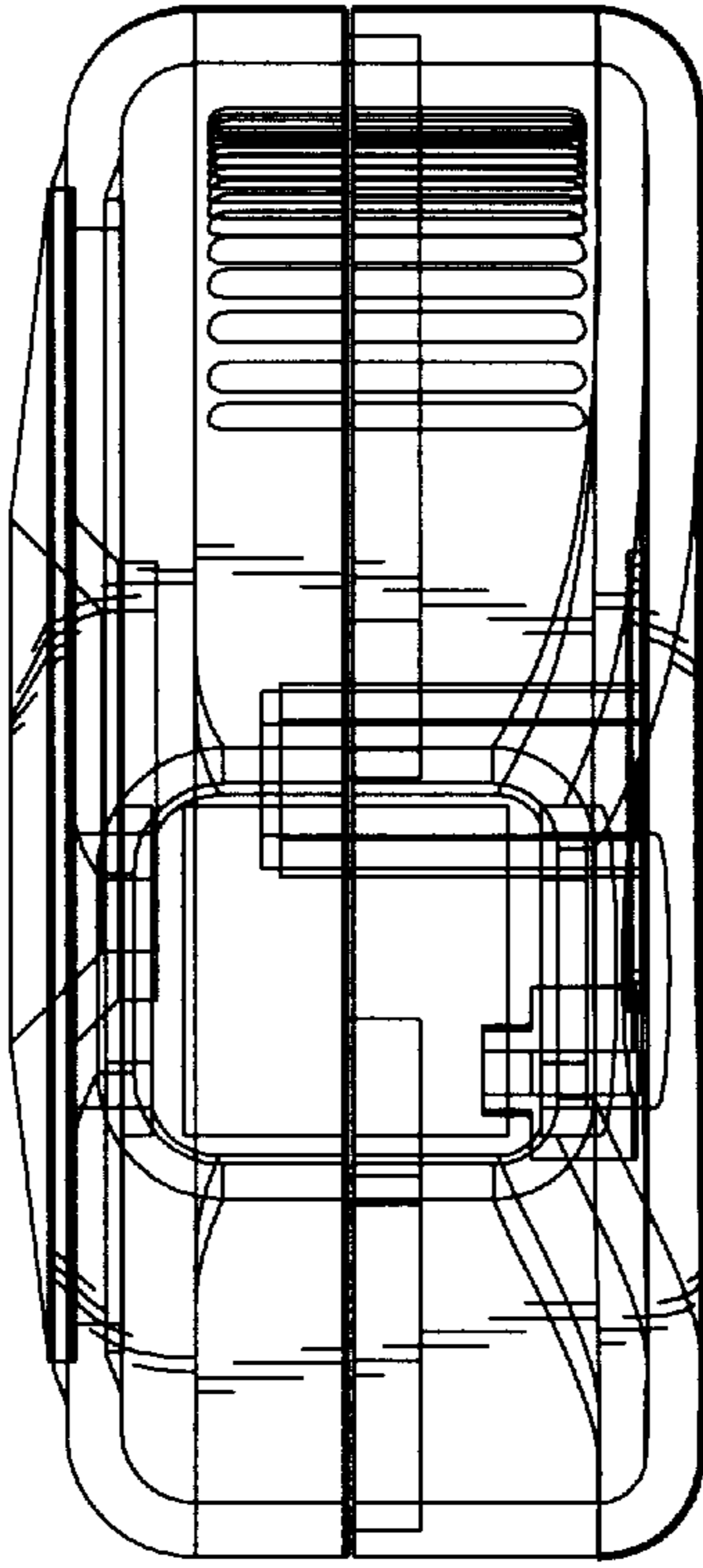
**FIG 3**



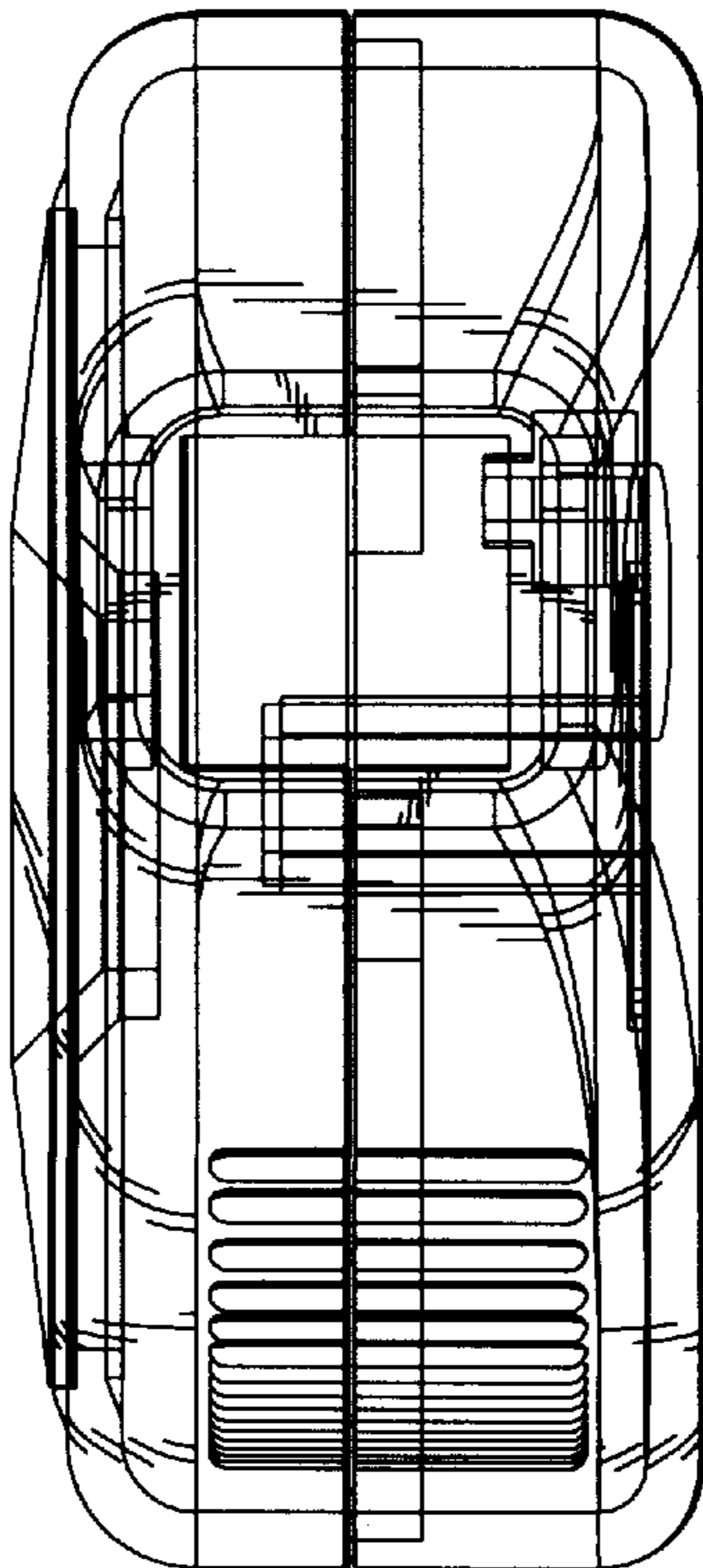
**FIG 4**



**FIG 5**



**FIG 7**



**FIG 6**

UNITED STATES PATENT AND TRADEMARK OFFICE  
**CERTIFICATE OF CORRECTION**

PATENT NO. : Des. 438,250 S  
DATED : February 27, 2001  
INVENTOR(S) : Kazunori Katami

Page 1 of 1

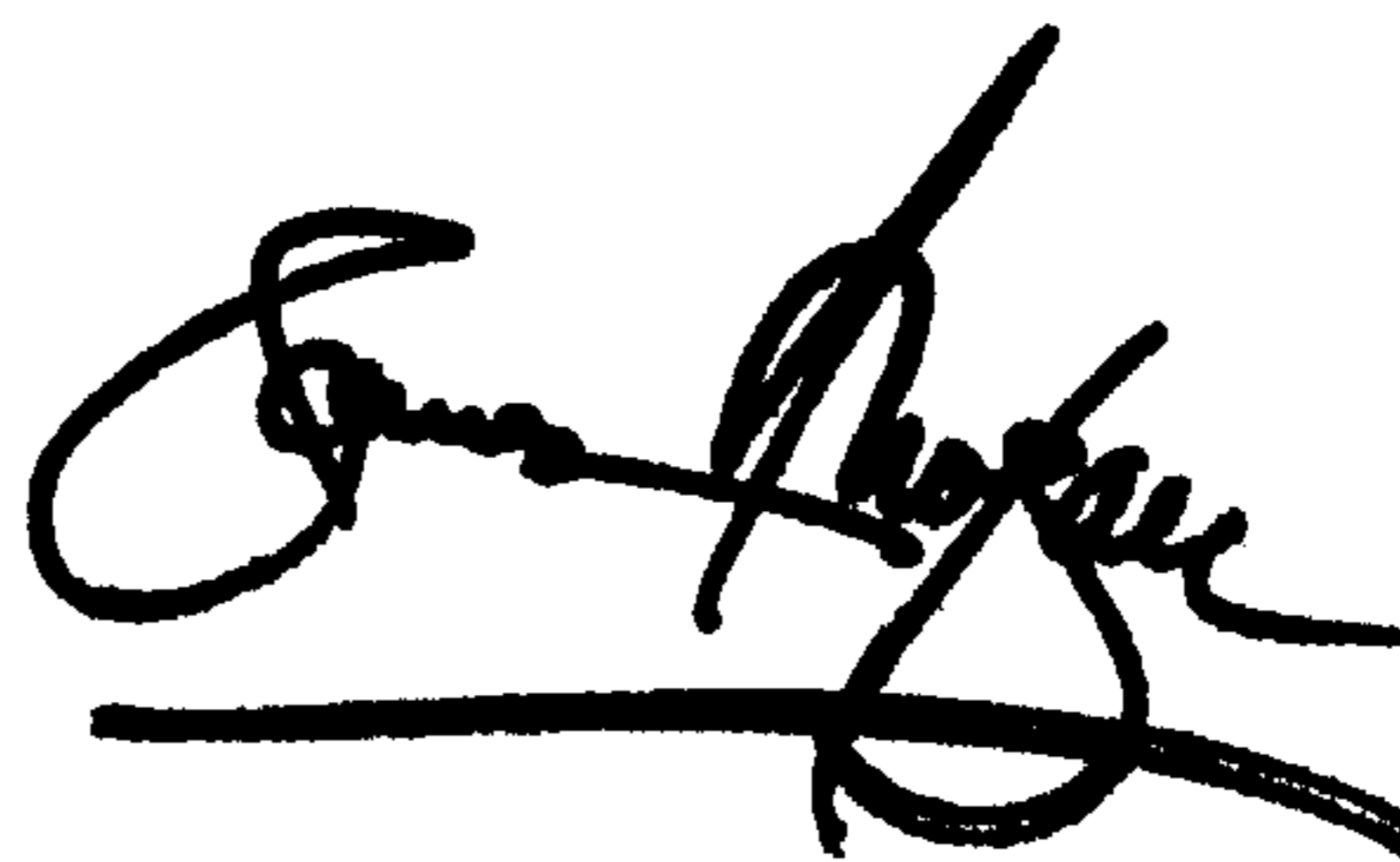
It is certified that error appears in the above-identified patent and that said Letters Patent is hereby corrected as shown below:

Title page,  
**DESCRIPTION,**  
FIG. 1, after "dispenser" insert -- housing --.

Signed and Sealed this

Twenty-fourth Day of September, 2002

*Attest:*

A handwritten signature in black ink, appearing to read "James E. Rogan", with a horizontal line drawn underneath it.

*Attesting Officer*

JAMES E. ROGAN  
*Director of the United States Patent and Trademark Office*