



US00D438247S

(12) **United States Design Patent**
Polidoro

(10) **Patent No.:** **US D438,247 S**

(45) **Date of Patent:** **** Feb. 27, 2001**

(54) **CLIP FOR A WRITING INSTRUMENT**

(75) Inventor: **Frank Polidoro**, Cumberland, RI (US)

(73) Assignee: **The Gillette Company**, Boston, MA (US)

(**) Term: **14 Years**

(21) Appl. No.: **29/117,730**

(22) Filed: **Jan. 31, 2000**

(51) **LOC (7) Cl.** **19-06**

(52) **U.S. Cl.** **D19/56; D19/50**

(58) **Field of Search** D19/35, 36, 41-51, D19/53-58, 81-85; 401/98, 104-106, 202, 243-247, 213, 262; 24/11 R, 11 PP, 11 CC, 11 HC, 11 S, 11 C, 11 F, 11 M, 11 P

(56) **References Cited**

U.S. PATENT DOCUMENTS

- D. 93,444 * 10/1934 Blakeman D19/56
- D. 212,788 * 11/1968 Perwas D19/56
- D. 279,383 * 6/1985 Hillebrand et al. D19/51
- D. 330,217 * 10/1992 Booker D19/48
- D. 338,491 * 8/1993 Hollington D19/50
- D. 362,269 * 9/1995 Hollington D19/51

- D. 378,763 * 4/1997 Hollington D19/51
- D. 416,580 * 11/1999 Andrews et al. D19/56

* cited by examiner

Primary Examiner—Martie K. Holtje

(74) *Attorney, Agent, or Firm*—Chester Cekala; David A. Howley

(57) **CLAIM**

The ornamental design for a clip for a writing instrument, as shown and described.

DESCRIPTION

FIG. 1 is a perspective view as seen from the top, front and right side of a clip for a writing instrument showing my new design;

FIG. 2 is a front elevational view thereof;

FIG. 3 is a rear elevational view thereof;

FIG. 4 is a top plan view thereof;

FIG. 5 is a left side elevational view thereof, the right side elevation being a mirror image thereof; and,

FIG. 6 is a bottom plan view thereof.

The broken line representations in the above drawings are shown for environmental purposes only and do not constitute a part of the claimed design.

1 Claim, 2 Drawing Sheets



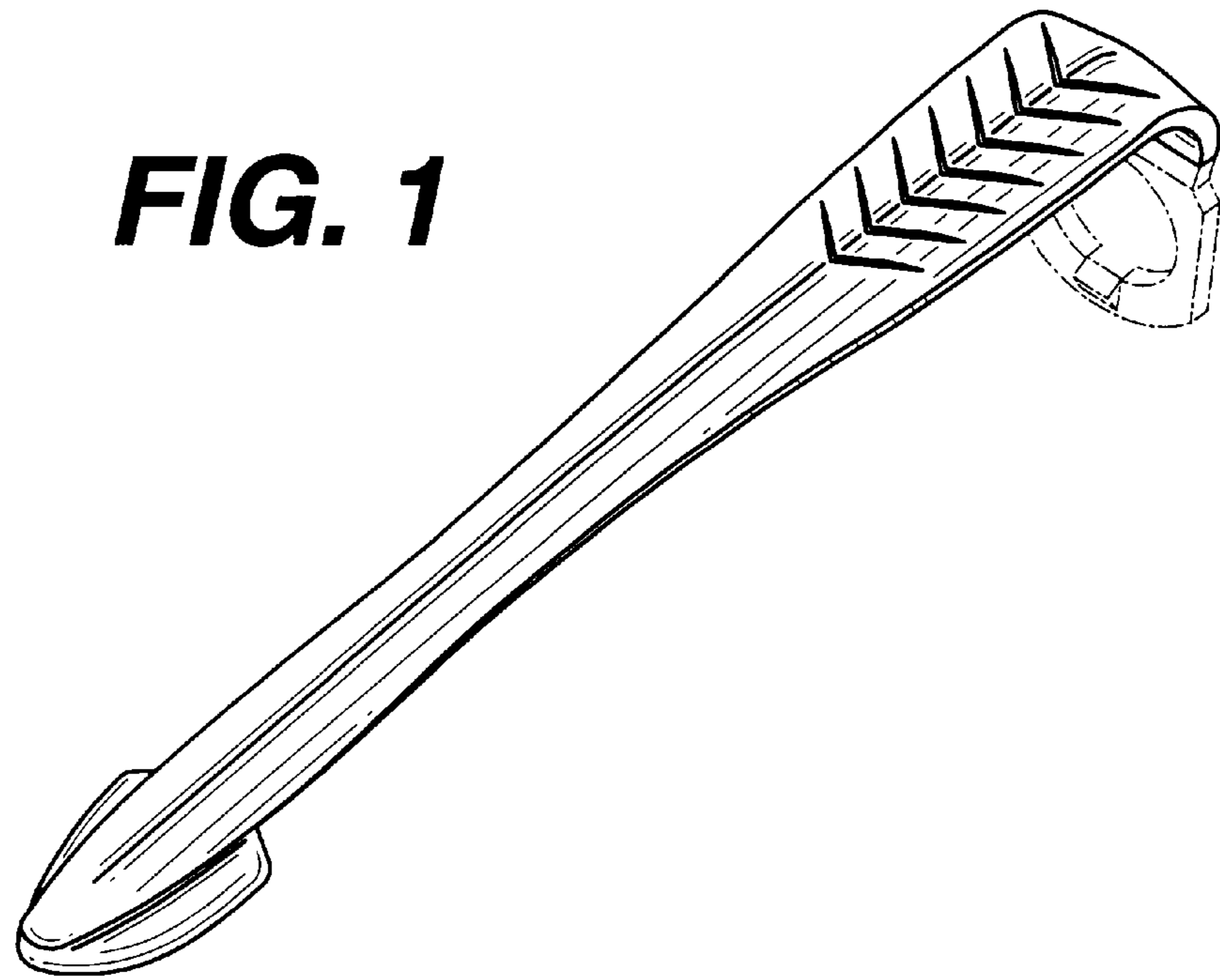


FIG. 2

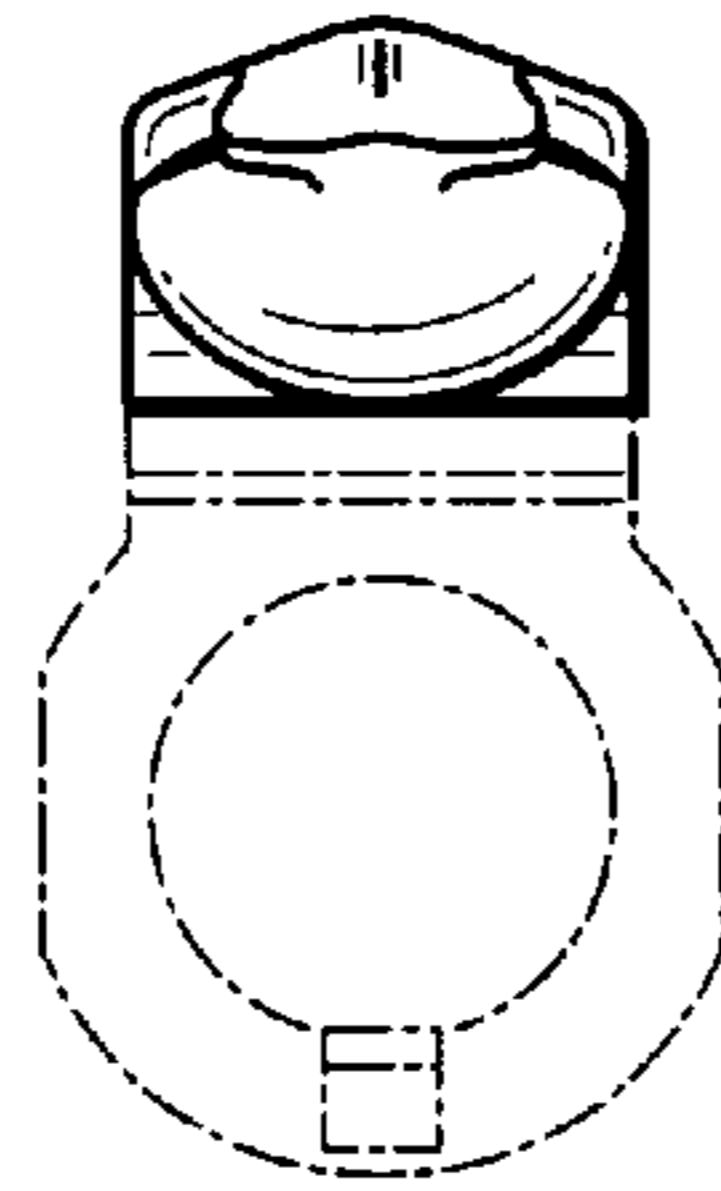


FIG. 3

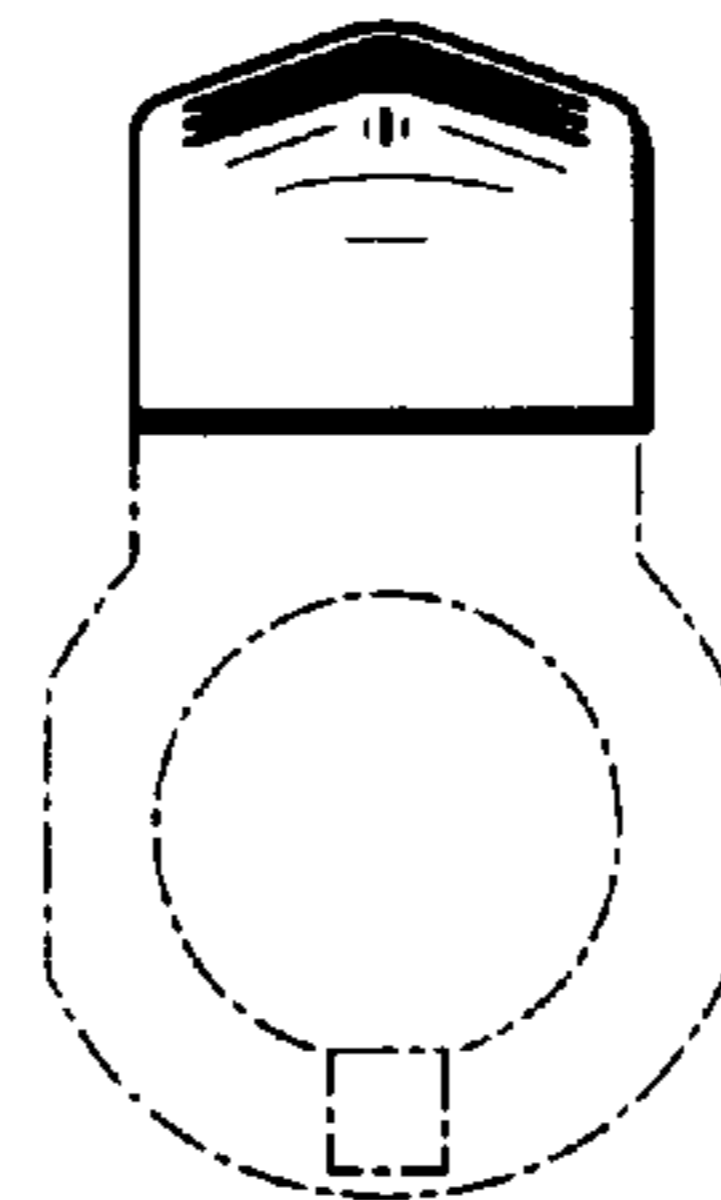


FIG. 4

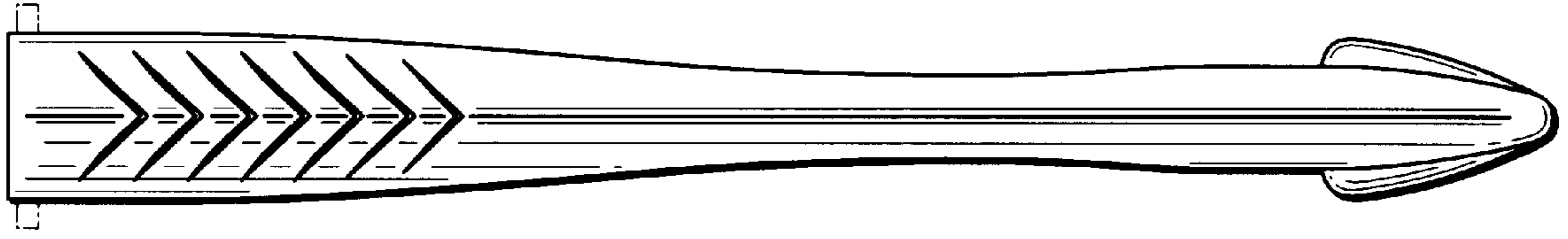


FIG. 5

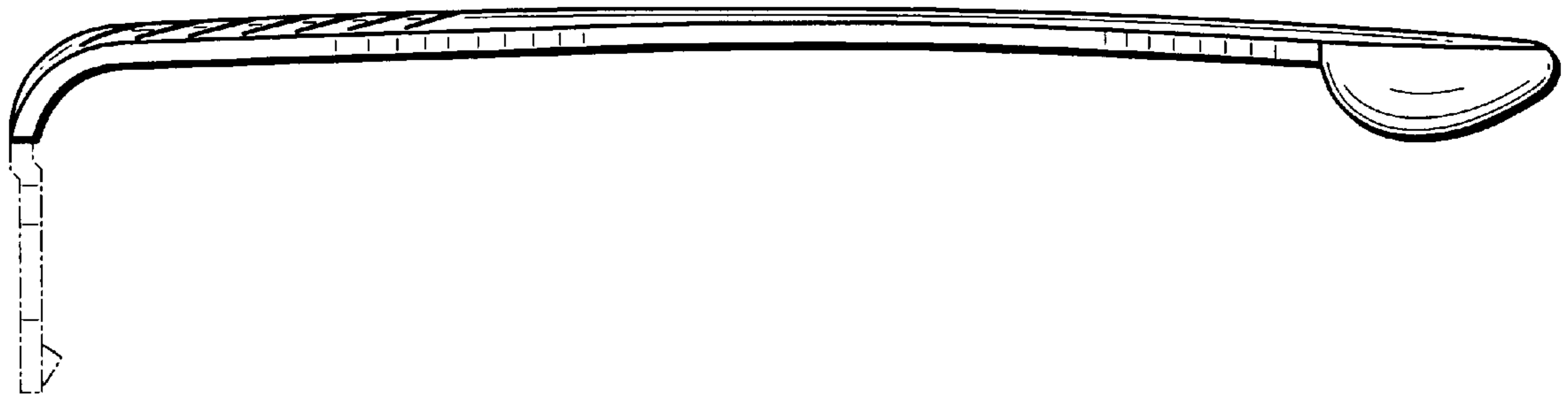


FIG. 6

