



US00D438244S

(12) **United States Design Patent**
Whaley

(10) **Patent No.:** **US D438,244 S**

(45) **Date of Patent:** **** Feb. 27, 2001**

- (54) **SPUR EYELET**
- (75) Inventor: **Paul Whaley**, Herculaneum, MO (US)
- (73) Assignee: **U.S. Ring Binder Corporation**, New Bedford, MA (US)
- (**) Term: **14 Years**
- (21) Appl. No.: **29/121,024**
- (22) Filed: **Mar. 30, 2000**
- (51) **LOC (7) Cl.** **19-04**
- (52) **U.S. Cl.** **D19/32**
- (58) **Field of Search** D19/26, 27, 32, D19/65, 99, 100; D8/382, 386, 388, 389, 499; 24/703.5, 703.6; 281/27.1-27.3; 402/36, 38, 26, 27, 32, 64, 70, 73, 75, 76, 80 R, 502; 411/338, 457-460, 456, 466, 468

5,842,807	*	12/1998	To	402/36
5,879,097		3/1999	Cheng	.	
5,903,958	*	5/1999	Whaley	24/703.5
6,007,265	*	12/1999	Whaley	402/31
6,007,266		12/1999	Cheng et al.	.	
6,019,538		2/2000	Whaley	.	
6,033,144		3/2000	Ng et al.	.	
B1 5,160,209		2/2000	Schuessler	.	

* cited by examiner

Primary Examiner—Martie K. Holtje

(74) *Attorney, Agent, or Firm*—Polster, Lieder, Woodruff & Lucchesi, L.C.

(57) **CLAIM**

The ornamental design for spur eyelet, as shown and described.

DESCRIPTION

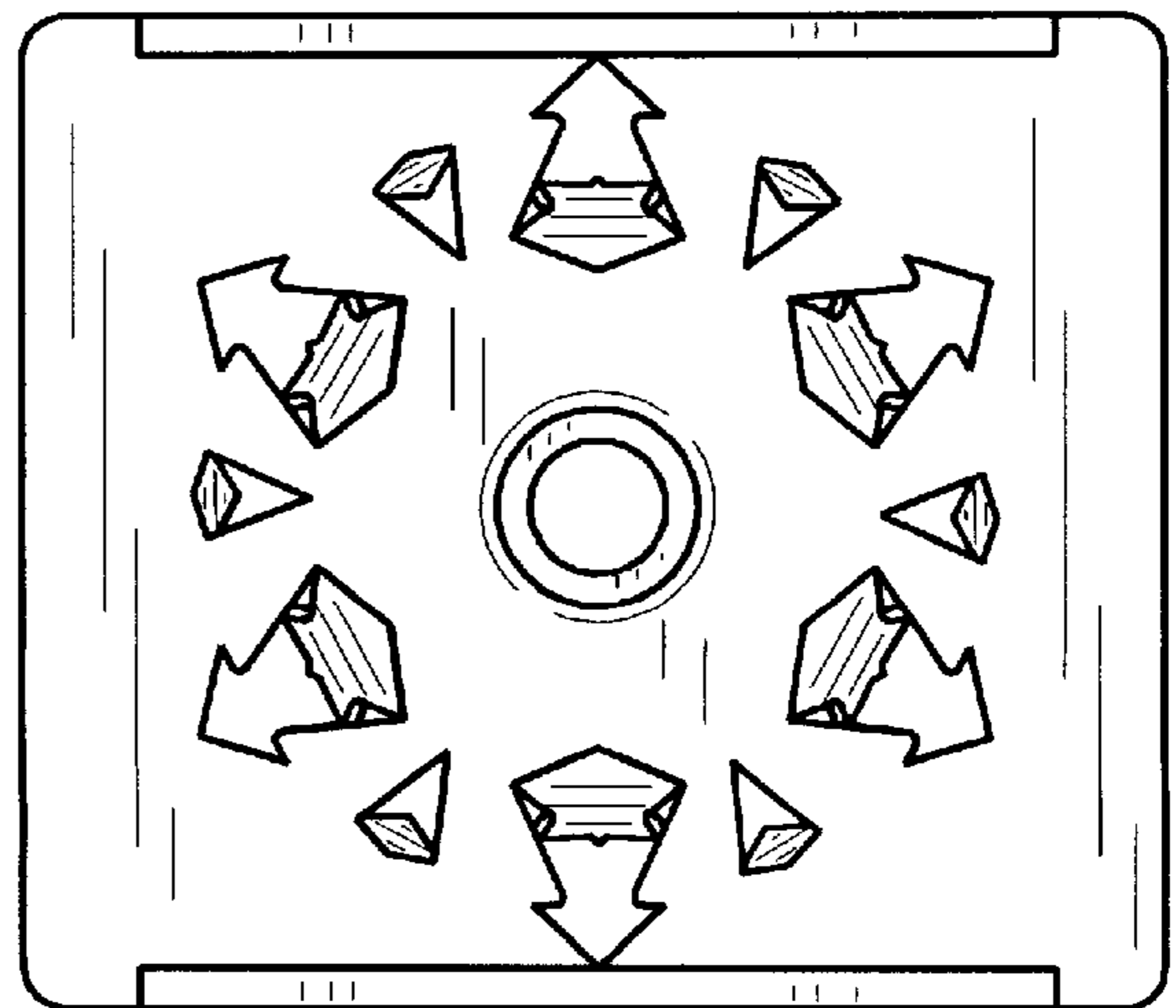
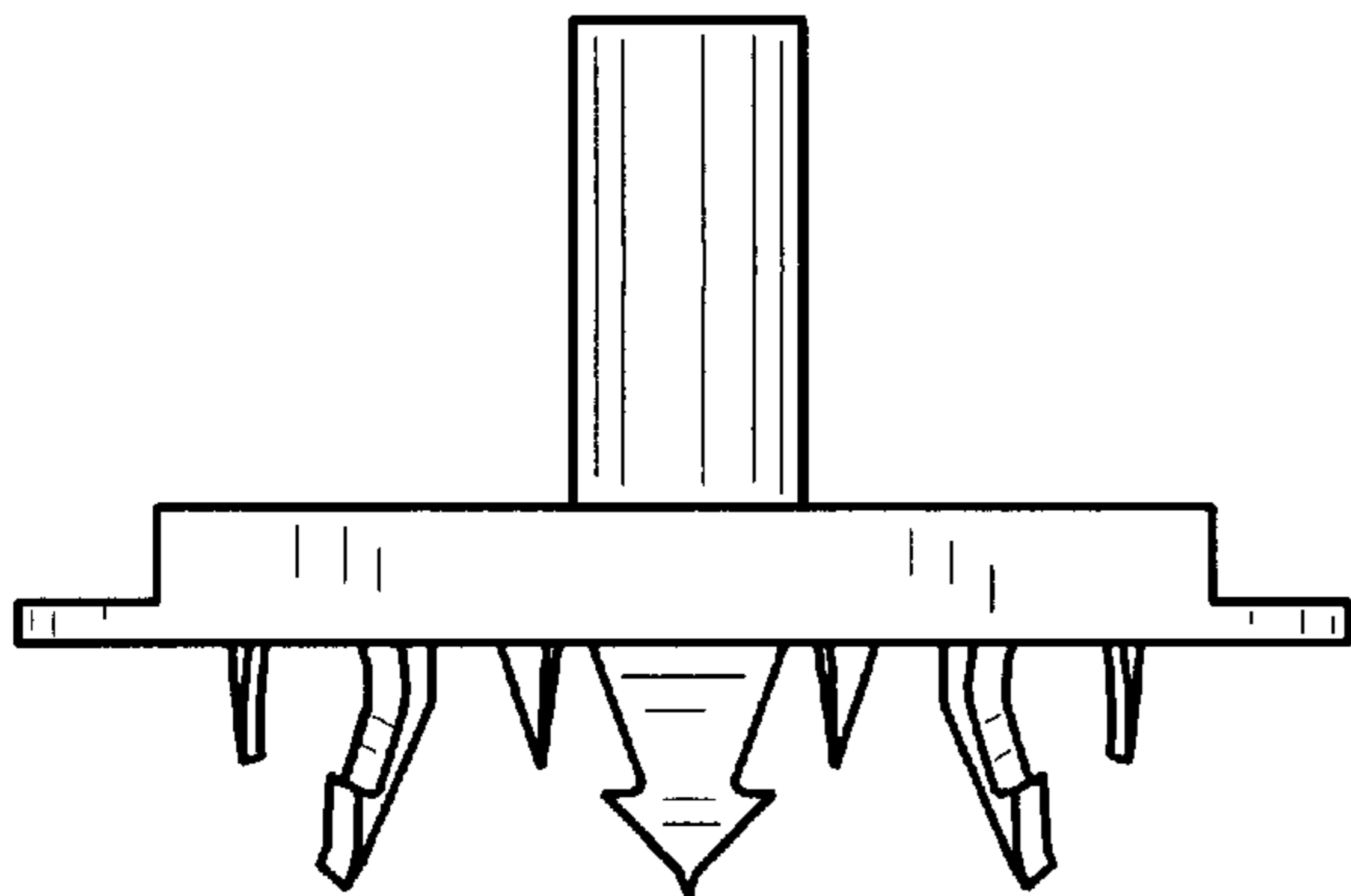
FIG. 1 is a side elevational view of a spur eyelet of the present invention;
 FIG. 2 is a side elevational view of the opposite side of the spur eyelet;
 FIG. 3 is an end elevational view of the spur eyelet;
 FIG. 4 is an end elevational view of the opposite end of the spur eyelet;
 FIG. 5 is a top plan view of the spur eyelet; and,
 FIG. 6 is a bottom plan view of the spur eyelet.

(56) **References Cited**

U.S. PATENT DOCUMENTS

D. 356,945	*	4/1995	Kinner	D8/399
D. 414,802	*	10/1999	Whaley	D19/32
D. 419,598	*	1/2000	Whaley	D19/32
3,011,226	*	12/1961	Menge	411/466
5,058,245	*	10/1991	Saito	24/306
5,100,253	*	3/1992	Cooper	402/75
5,160,209		11/1992	Schuessler	.	
5,312,456	*	5/1994	Reed et al.	411/456

1 Claim, 1 Drawing Sheet



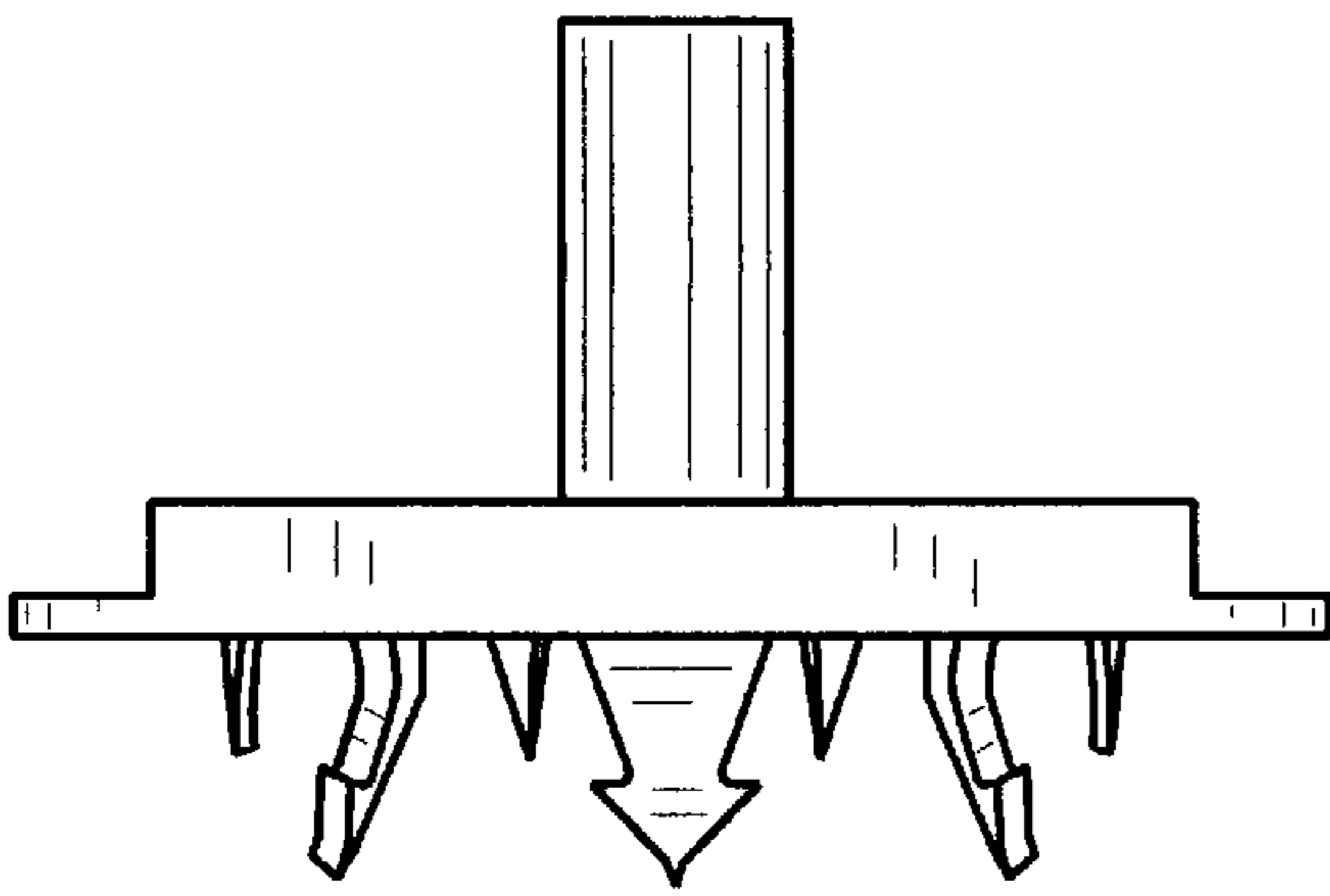


FIG. 1

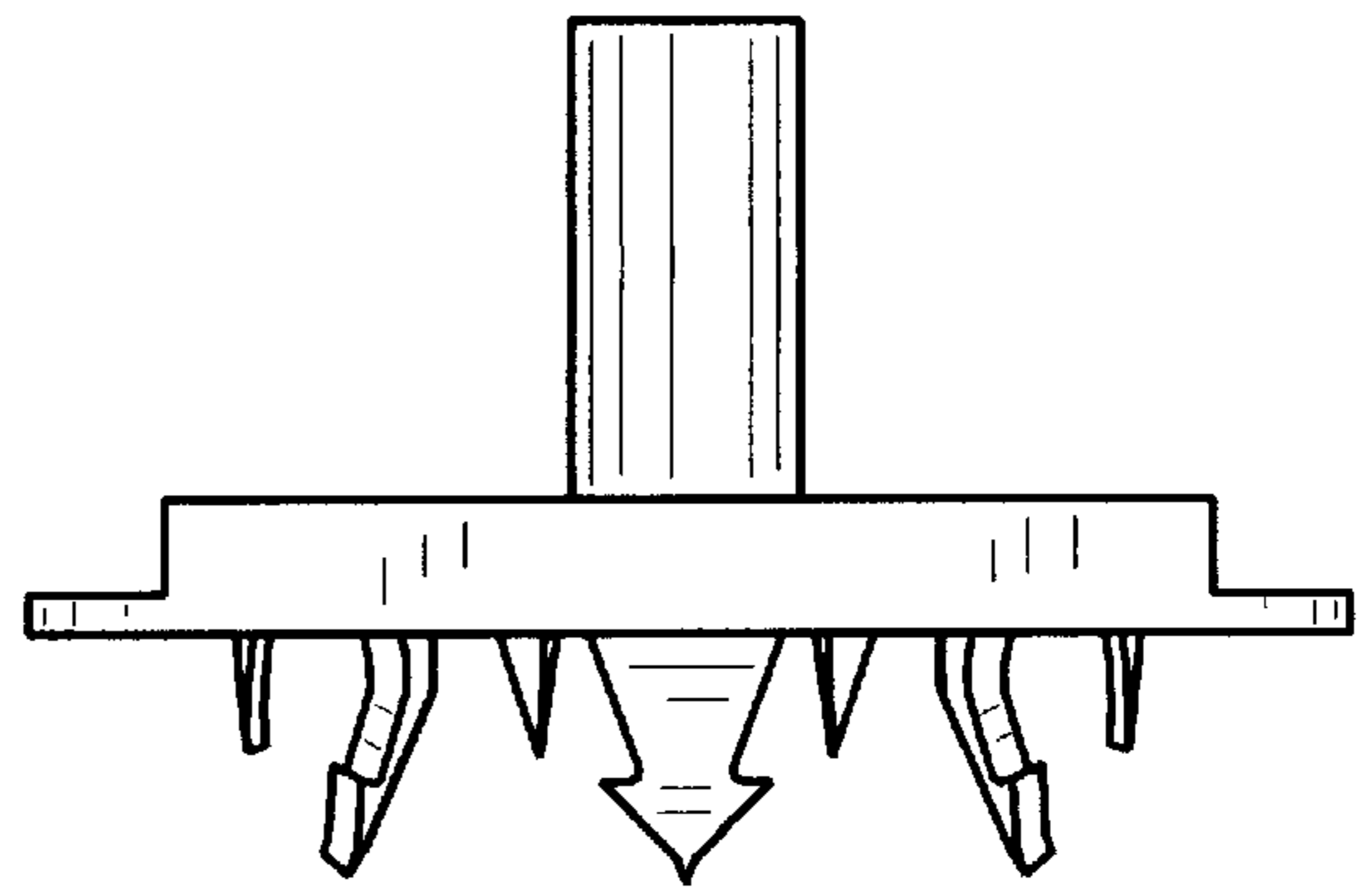


FIG. 2

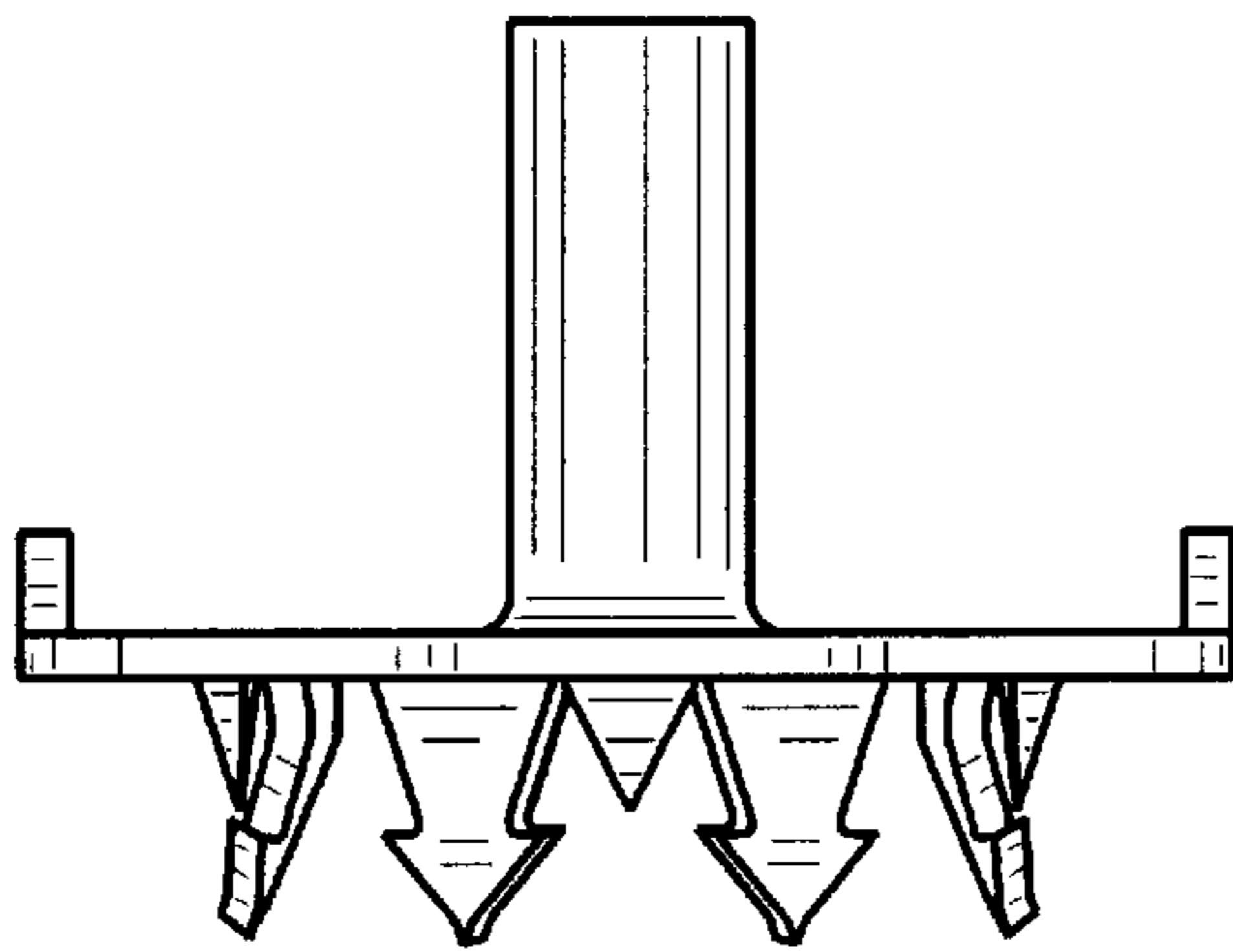


FIG. 3

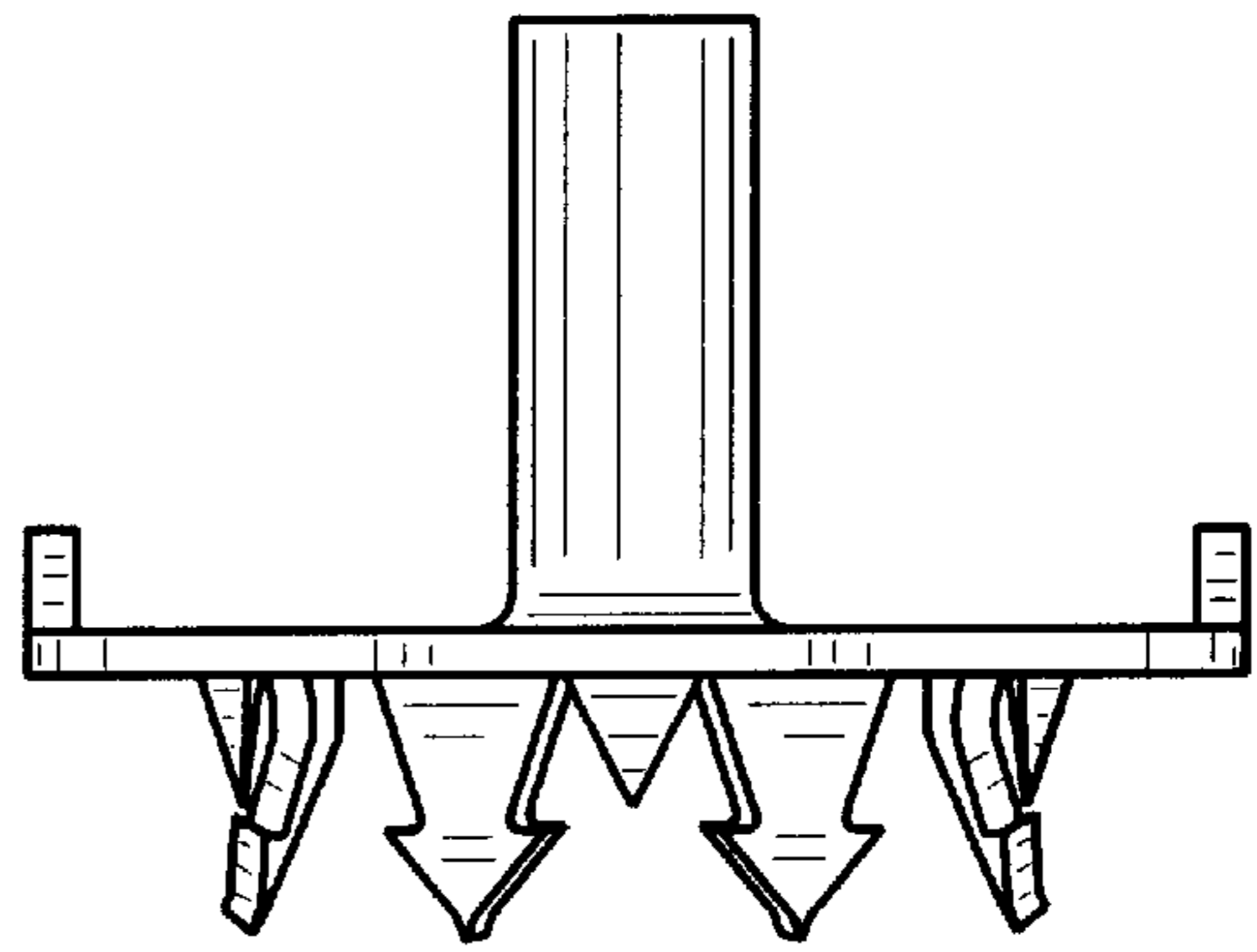


FIG. 4

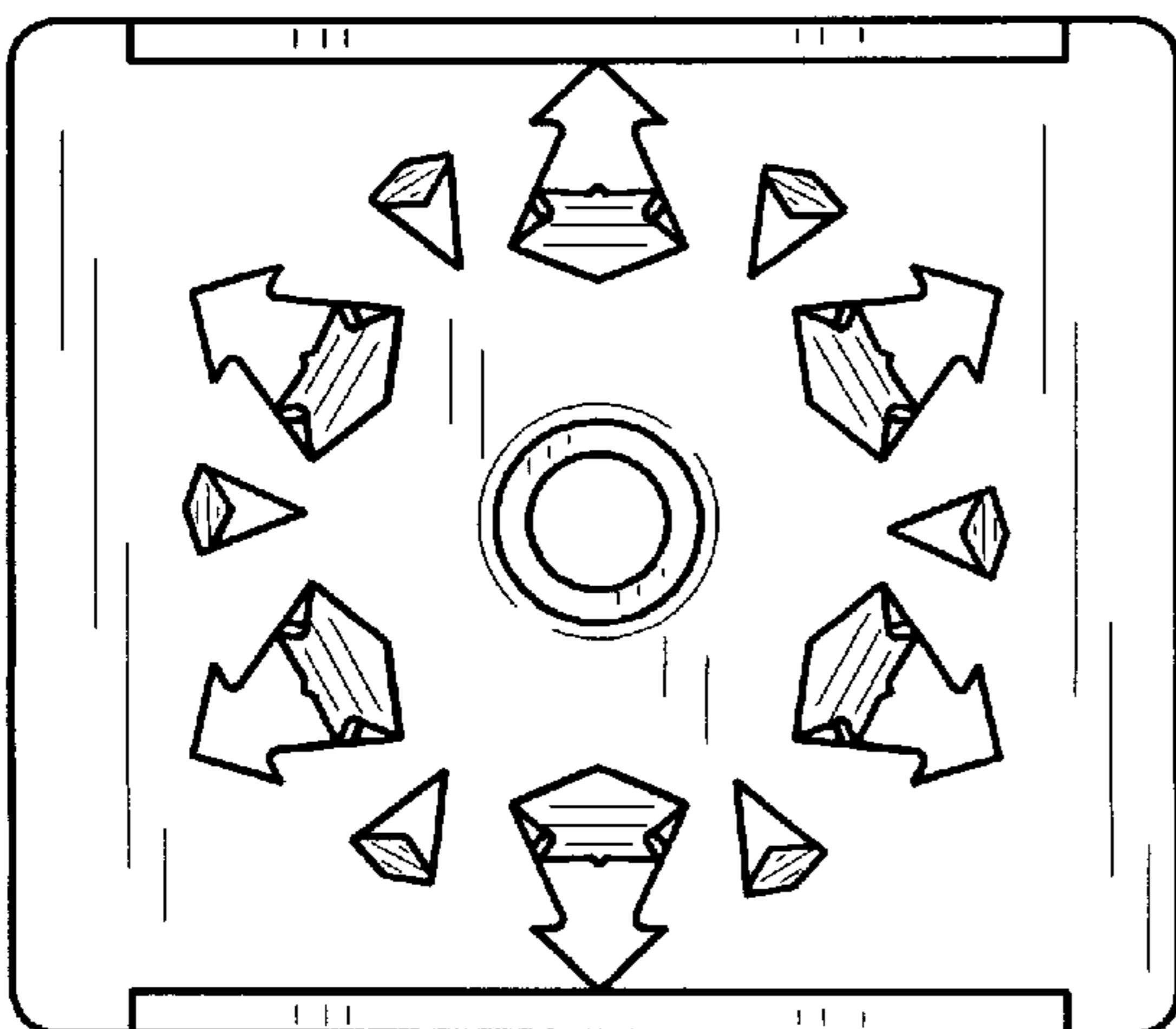


FIG. 5

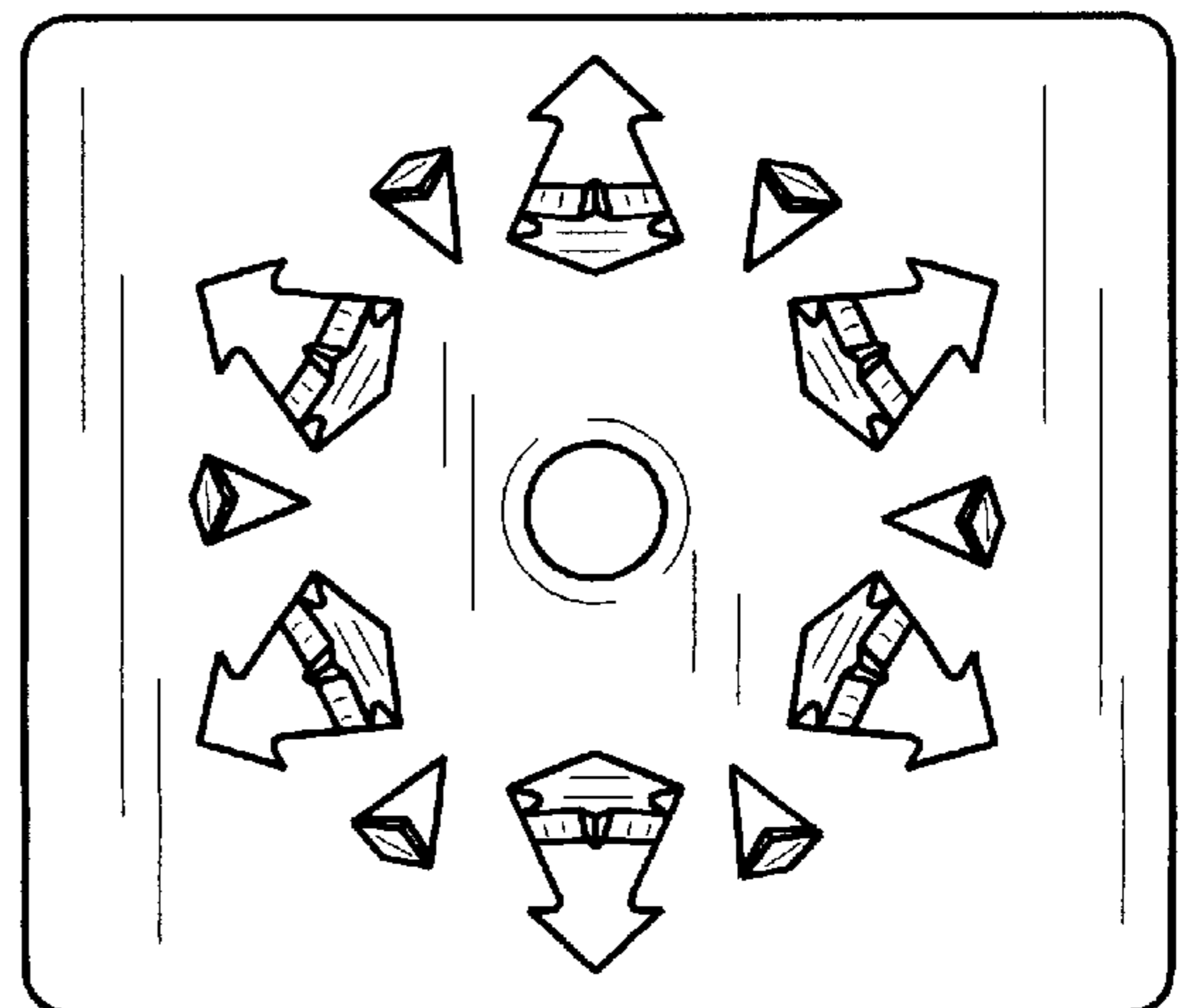


FIG. 6