



US00D438243S

(12) **United States Design Patent**
Chiba et al.

(10) **Patent No.:** **US D438,243 S**

(45) **Date of Patent:** **** Feb. 27, 2001**

(54) **INK CARTRIDGE WITH PRINTING HEAD FOR PRINTER**

(75) Inventors: **Toshimi Chiba; Masanori Takenouchi**, both of Yokohama; **Osamu Morita**, Yokosuka; **Wataru Takahashi**, Kawasaki, all of (JP)

(73) Assignee: **Canon Kabushiki Kaisha**, Tokyo (JP)

(**) Term: **14 Years**

(21) Appl. No.: **29/116,746**

(22) Filed: **Jan. 11, 2000**

(30) **Foreign Application Priority Data**

Jul. 16, 1999 (JP) 11-19204

(51) **LOC (7) Cl.** **18-02**

(52) **U.S. Cl.** **D18/56; 347/86**

(58) **Field of Search** **D18/56; 347/86, 347/87**

(56) **References Cited**

U.S. PATENT DOCUMENTS

D. 371,804	7/1996	Kotaki et al.	D18/56
D. 382,013 *	8/1997	Tashiro et al.	D18/56
D. 382,014 *	8/1997	Tashiro et al.	D18/56
D. 392,672	3/1998	Inoue et al.	D18/56
D. 395,670	6/1998	Inoue et al.	D18/56
D. 395,916	7/1998	Inoue et al.	D18/56

D. 413,920 *	9/1999	Shimizu et al.	D18/56
D. 414,509 *	9/1999	Shimizu et al.	D18/56
D. 425,111 *	5/2000	Inoue et al.	D18/56
D. 425,556 *	5/2000	Inoue et al.	D18/56
D. 425,933 *	5/2000	Inoue et al.	D18/56
D. 430,201 *	8/2000	Inoue et al.	D18/56
5,182,581 *	1/1993	Kashimura et al.	347/87

* cited by examiner

Primary Examiner—Cathy Anne MacCormac

(74) *Attorney, Agent, or Firm*—Fitzpatrick, Cella, Harper & Scinto

(57) **CLAIM**

The ornamental design for an ink cartridge with printing head for printer, as shown and described.

DESCRIPTION

FIG. 1 is a front view of an ink cartridge with printing head for printer showing our new design;

FIG. 2 is a rear view thereof;

FIG. 3 is a top plan view thereof;

FIG. 4 is a bottom plan view thereof;

FIG. 5 is a left side view thereof;

FIG. 6 is a right side view thereof;

FIG. 7 is a perspective view as viewed from rear and top direction thereof; and,

FIG. 8 is a perspective view as viewed from front and bottom direction thereof.

1 Claim, 4 Drawing Sheets

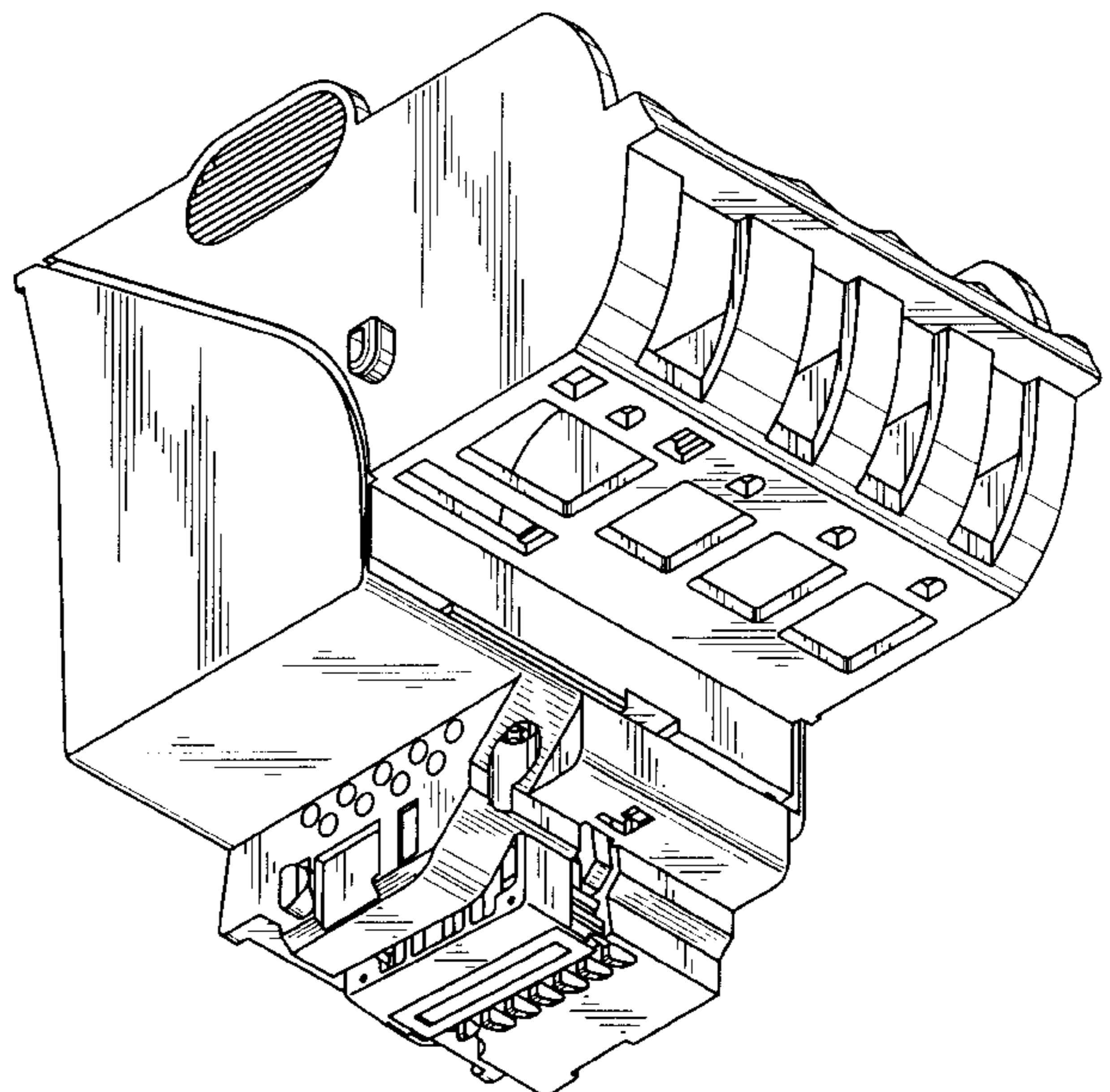
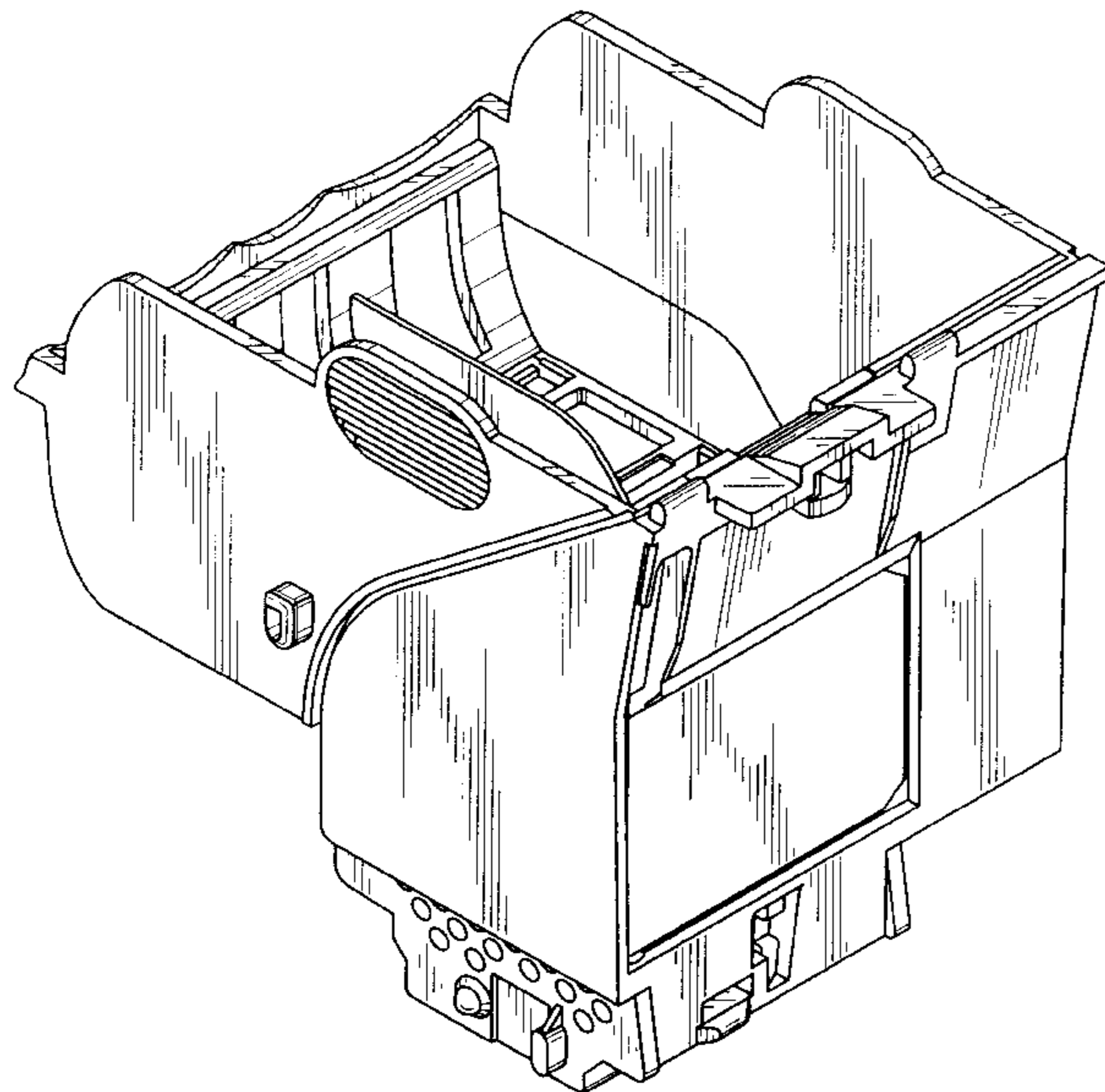


FIG. 1

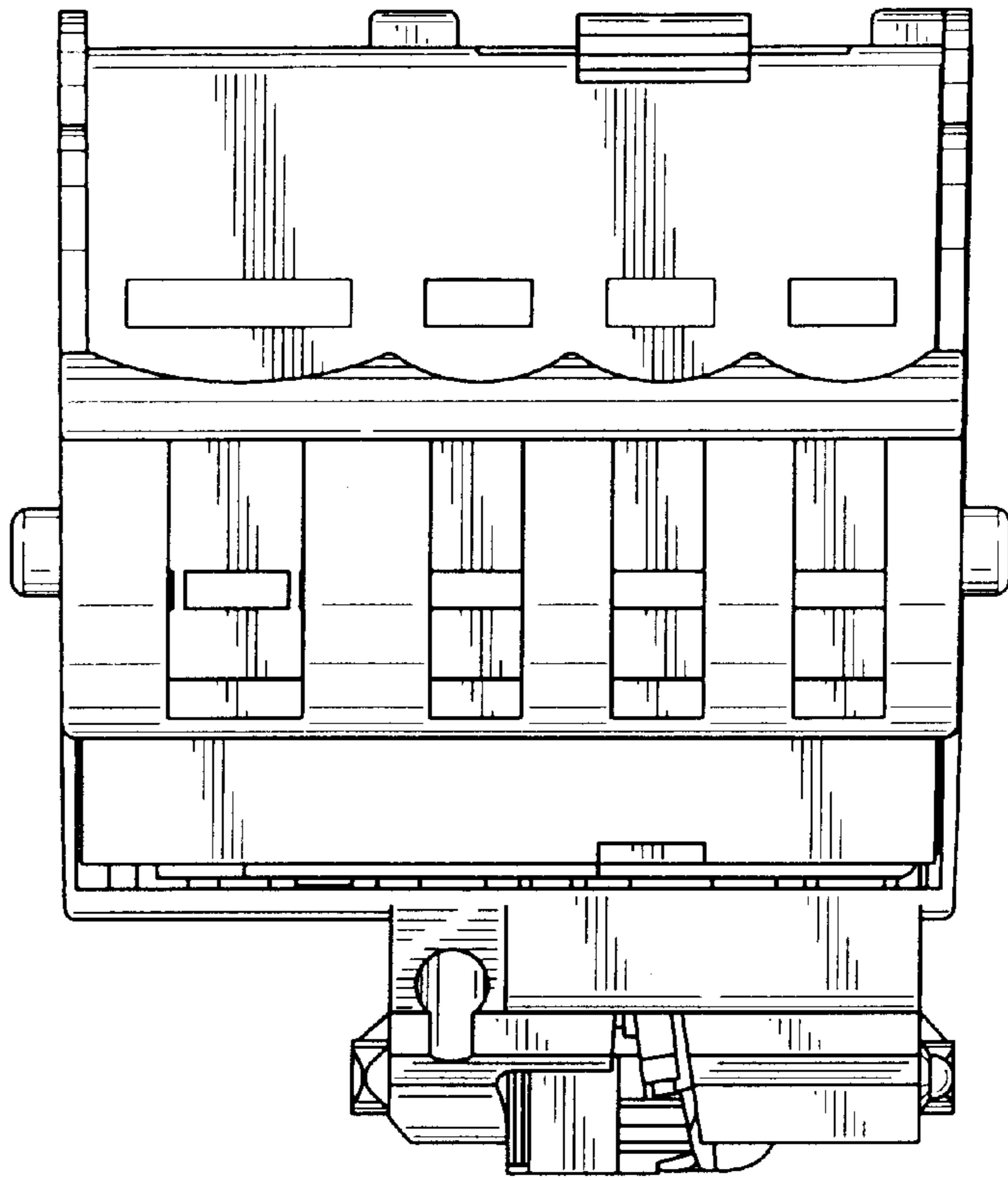


FIG. 2

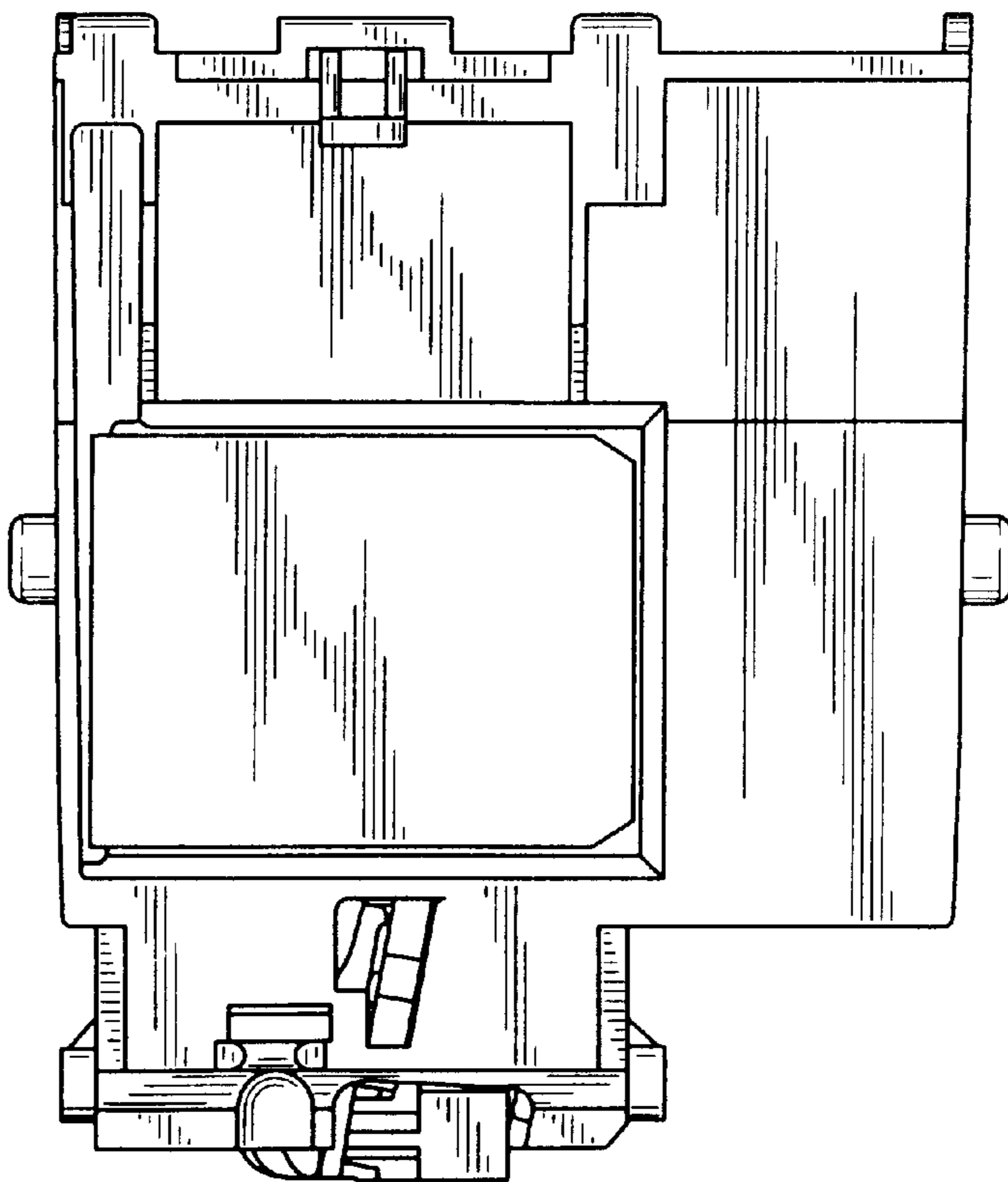


FIG. 3

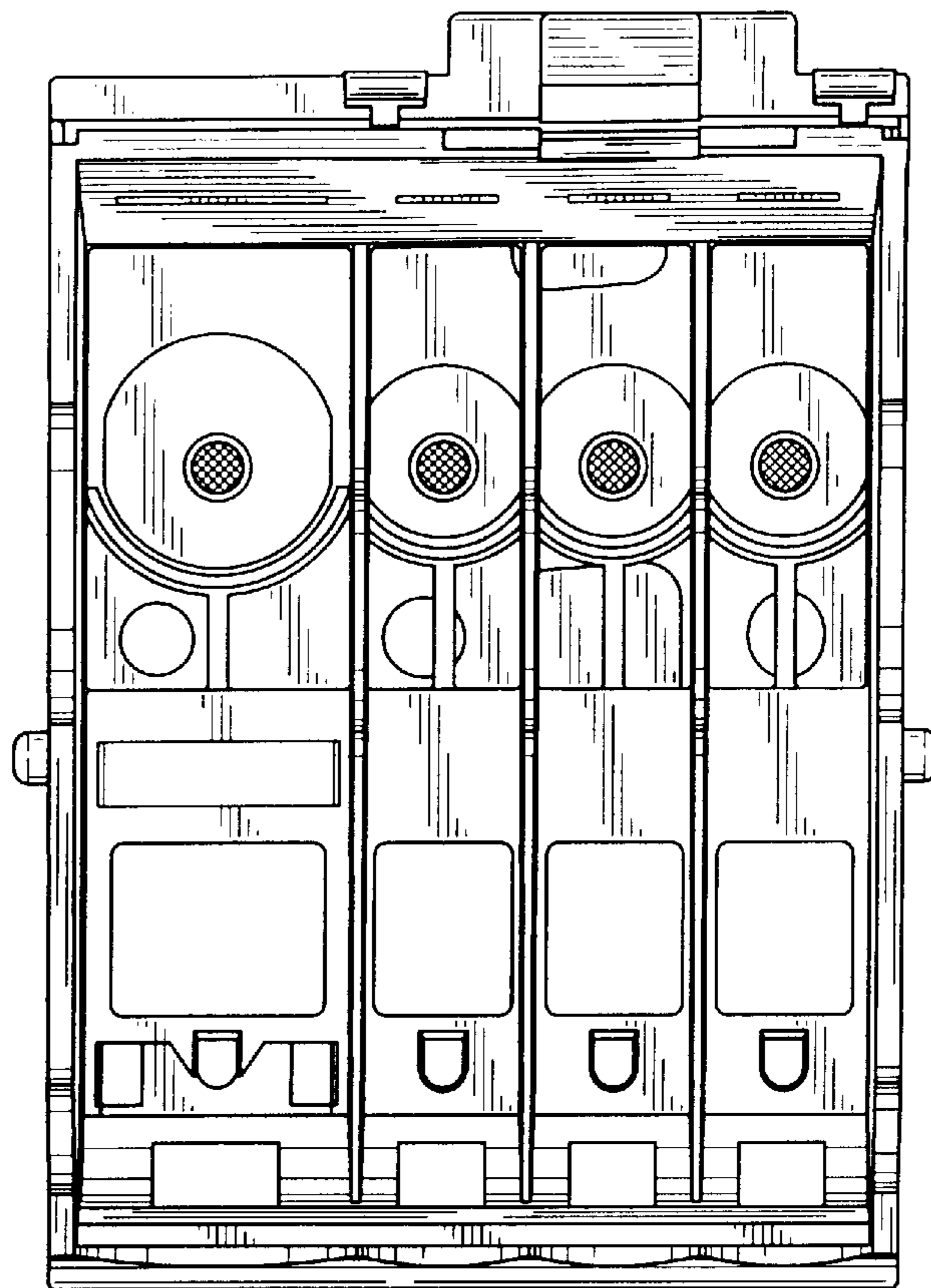


FIG. 4

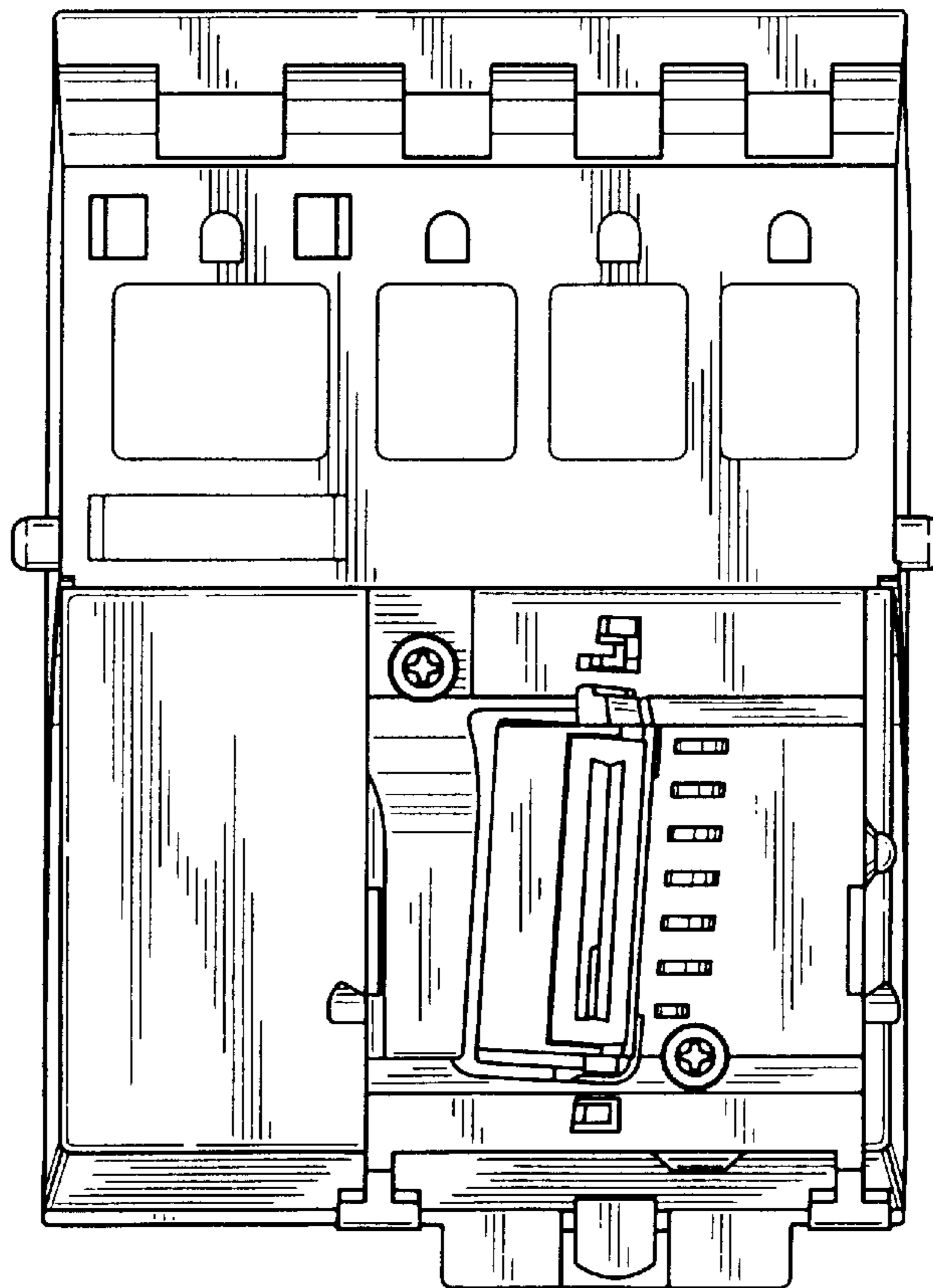


FIG. 5

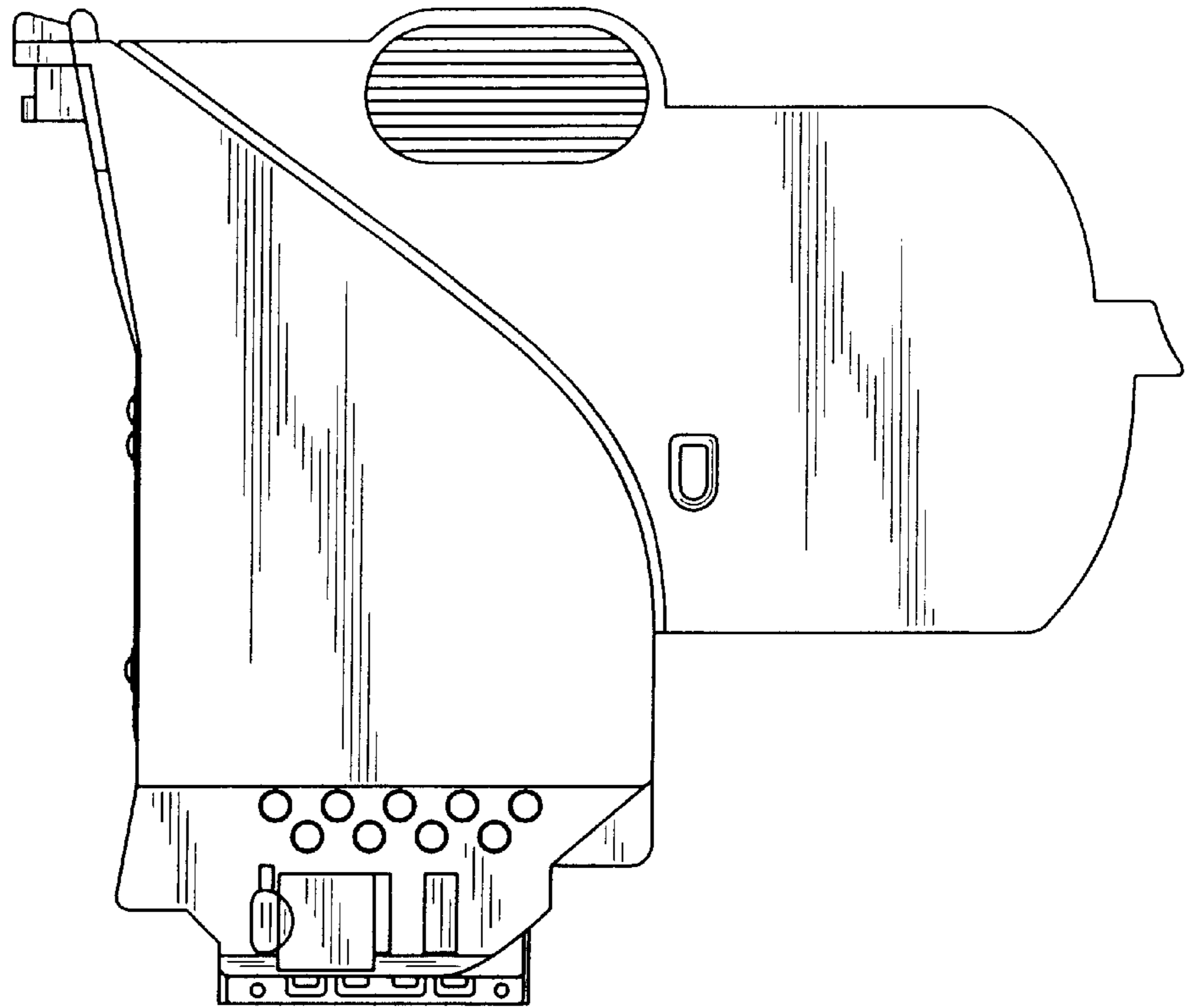


FIG. 6

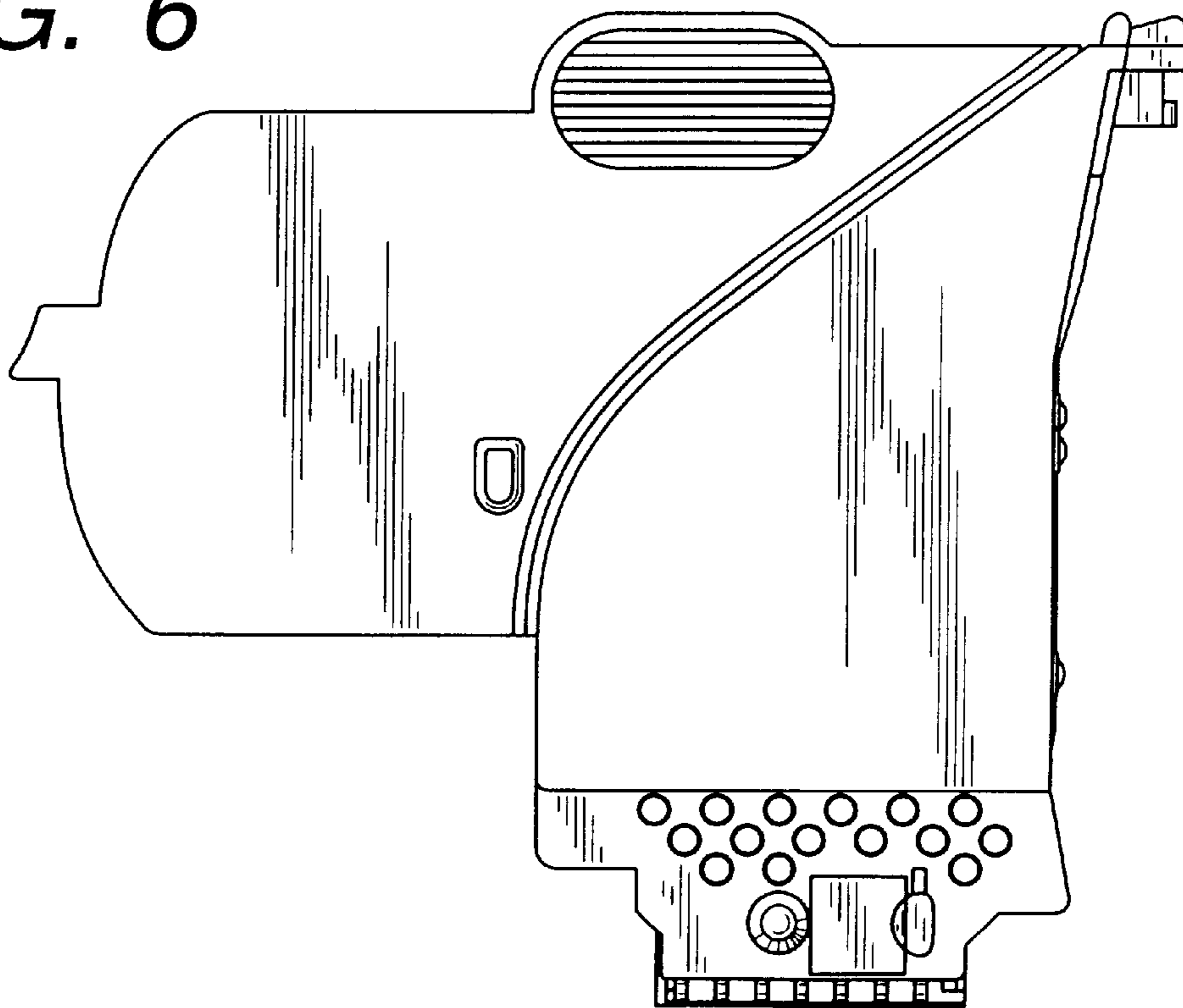


FIG. 7

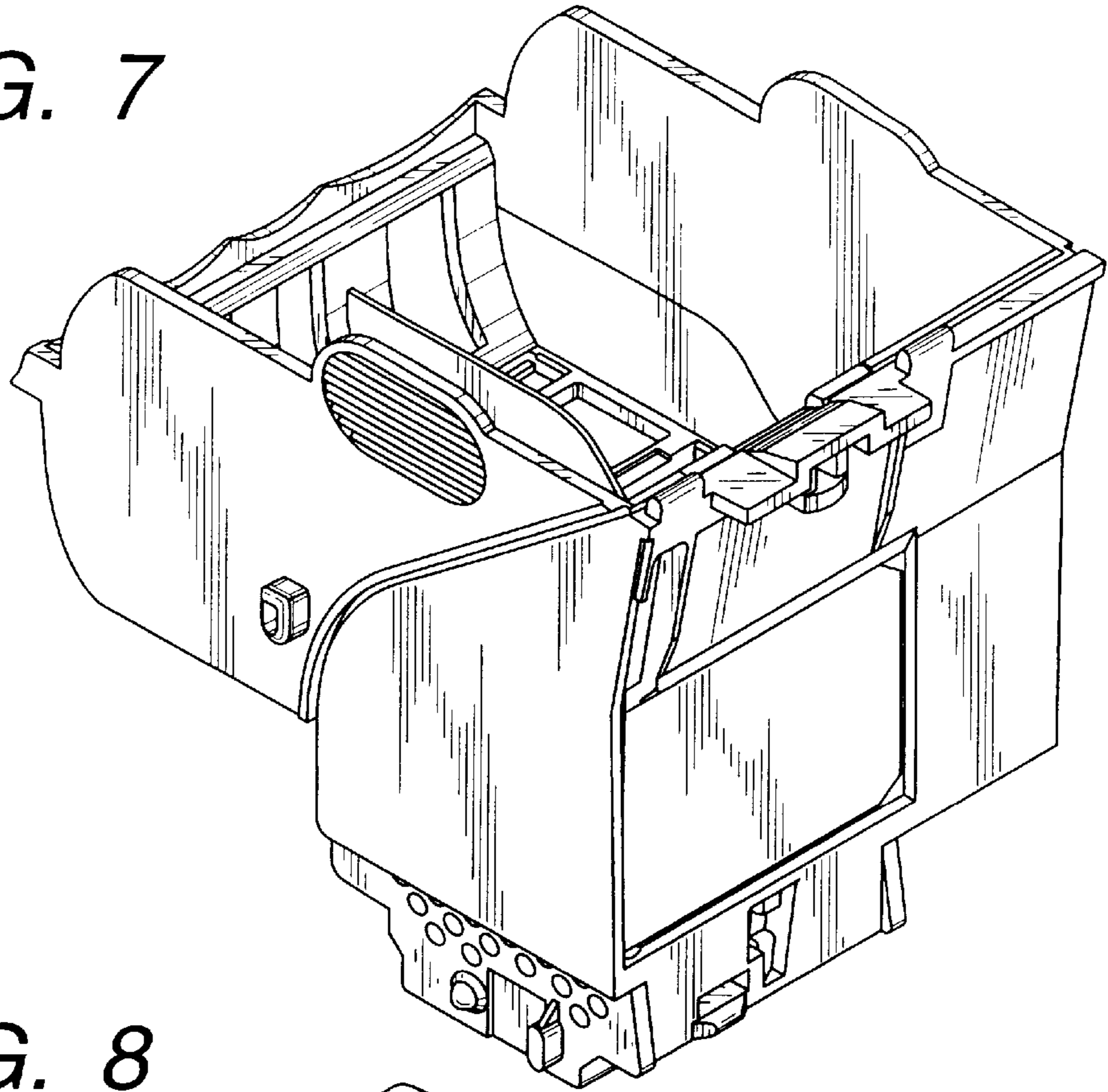


FIG. 8

