



US00D438242S

(12) **United States Design Patent**  
**Chiba et al.**

(10) **Patent No.:** **US D438,242 S**

(45) **Date of Patent:** **\*\* Feb. 27, 2001**

(54) **INK TANK HOLDER FOR PRINTER**

(75) Inventors: **Toshimi Chiba; Masanori Takenouchi,**  
both of Yokohama; **Osamu Morita,**  
Yokosuka, all of (JP)

(73) Assignee: **Canon Kabushiki Kaisha,** Tokyo (JP)

(\*\*) Term: **14 Years**

(21) Appl. No.: **29/116,745**

(22) Filed: **Jan. 11, 2000**

(30) **Foreign Application Priority Data**

Jul. 16, 1999 (JP) ..... 11-19206

(51) **LOC (7) Cl.** ..... **18-02**

(52) **U.S. Cl.** ..... **D18/56**

(58) **Field of Search** ..... D18/56; 347/86,  
347/87

(56) **References Cited**

**U.S. PATENT DOCUMENTS**

- D. 382,013 \* 8/1997 Tashiro et al. .... D18/56
- D. 382,014 \* 8/1997 Tashiro et al. .... D18/56
- D. 392,672 3/1998 Inoue et al. .... D18/56
- D. 395,670 6/1998 Inoue et al. .... D18/56
- D. 395,916 7/1998 Inoue et al. .... D18/56
- D. 413,920 \* 9/1999 Shimizu et al. .... D18/56

- D. 414,509 \* 9/1999 Shimizu et al. .... D18/56
- D. 425,111 \* 5/2000 Inoue et al. .... D18/56
- D. 425,556 \* 5/2000 Inoue et al. .... D18/56
- D. 425,933 \* 5/2000 Inoue et al. .... D18/56
- D. 430,201 \* 8/2000 Inoue et al. .... D18/56
- 5,182,581 \* 1/1993 Kashimura et al. .... 347/87

\* cited by examiner

*Primary Examiner*—Cathy Anne MacCormac

(74) *Attorney, Agent, or Firm*—Fitzpatrick, Cella, Harper & Scinto

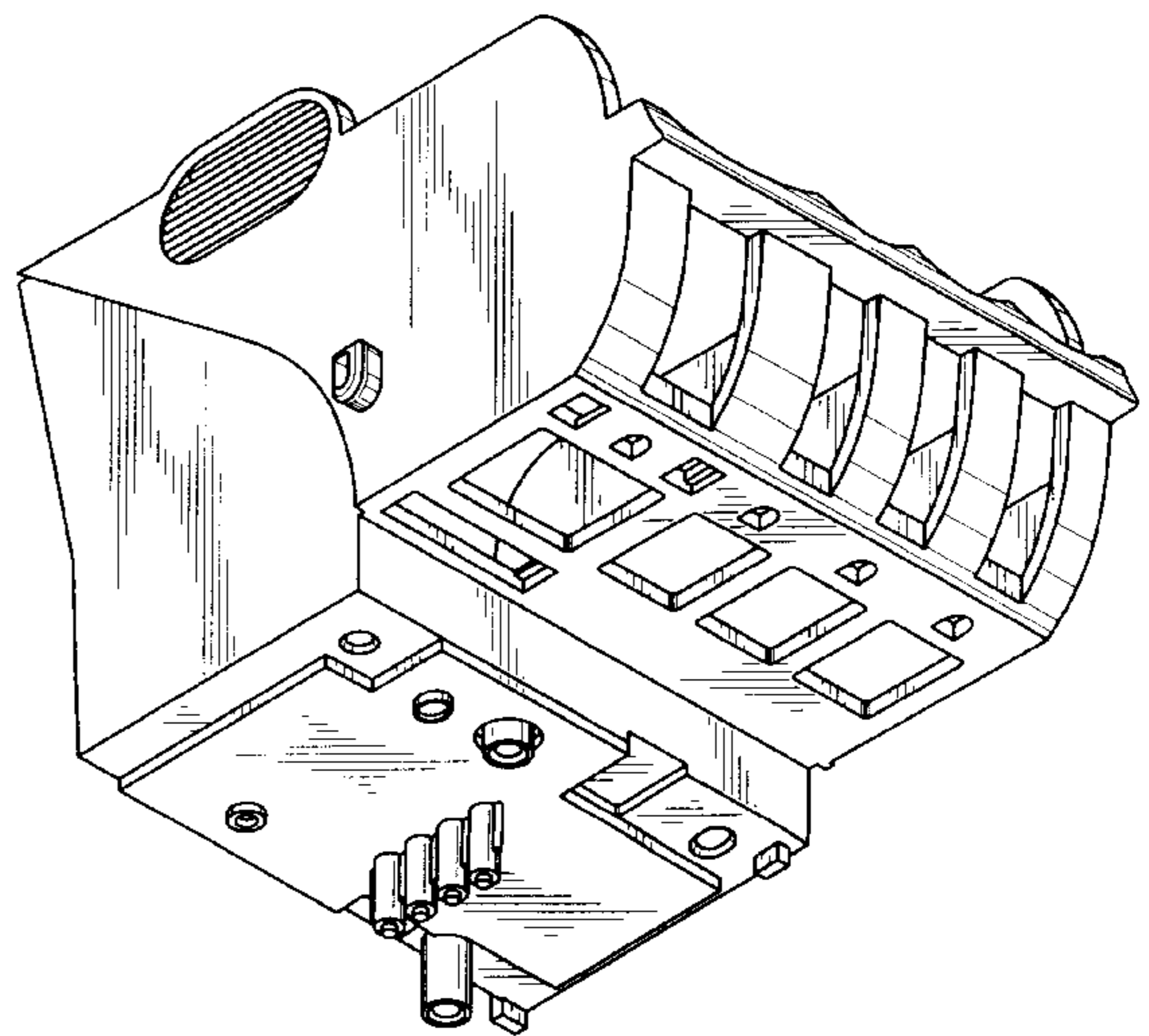
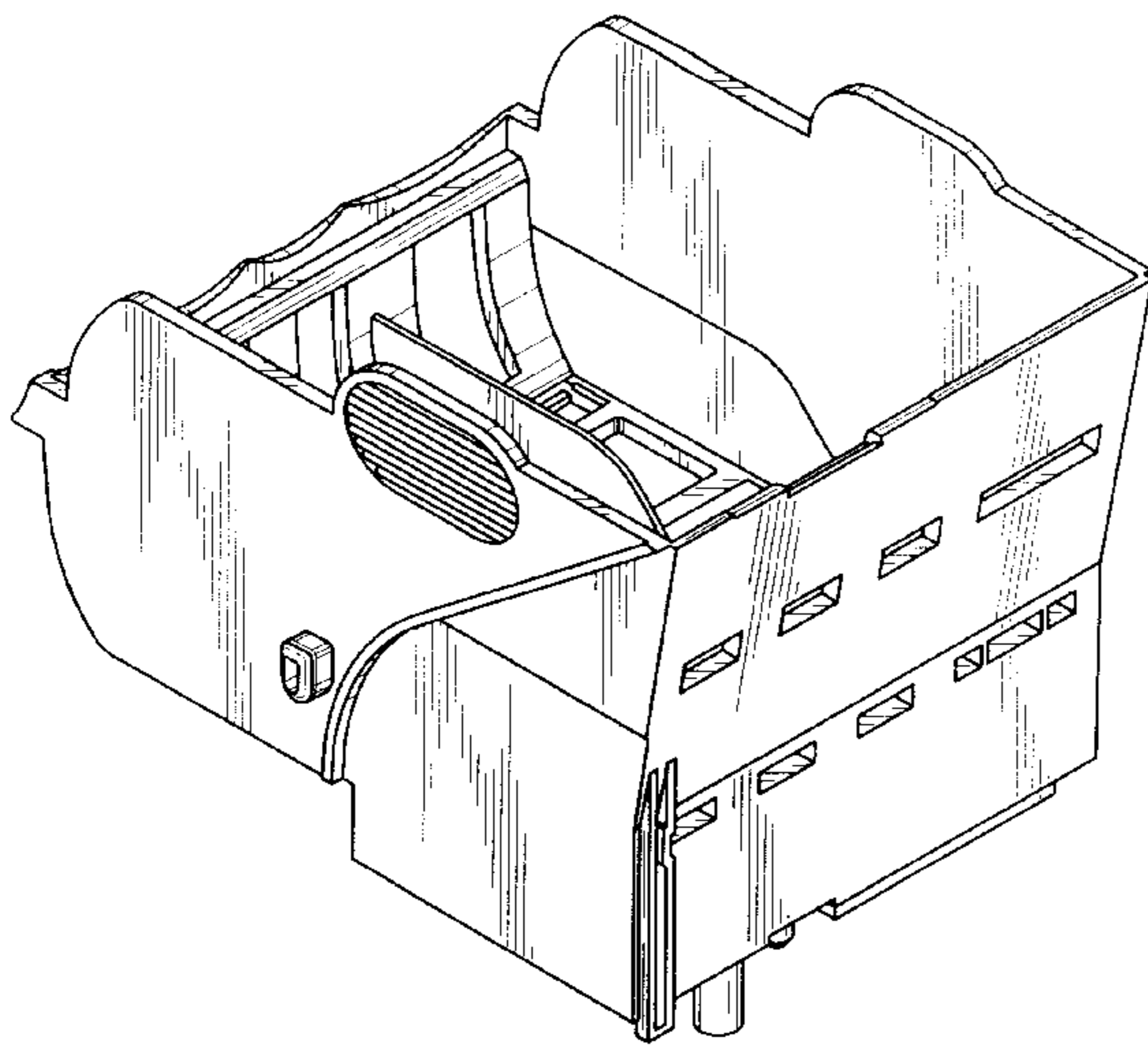
(57) **CLAIM**

The ornamental design for an ink tank holder for printer, as shown and described.

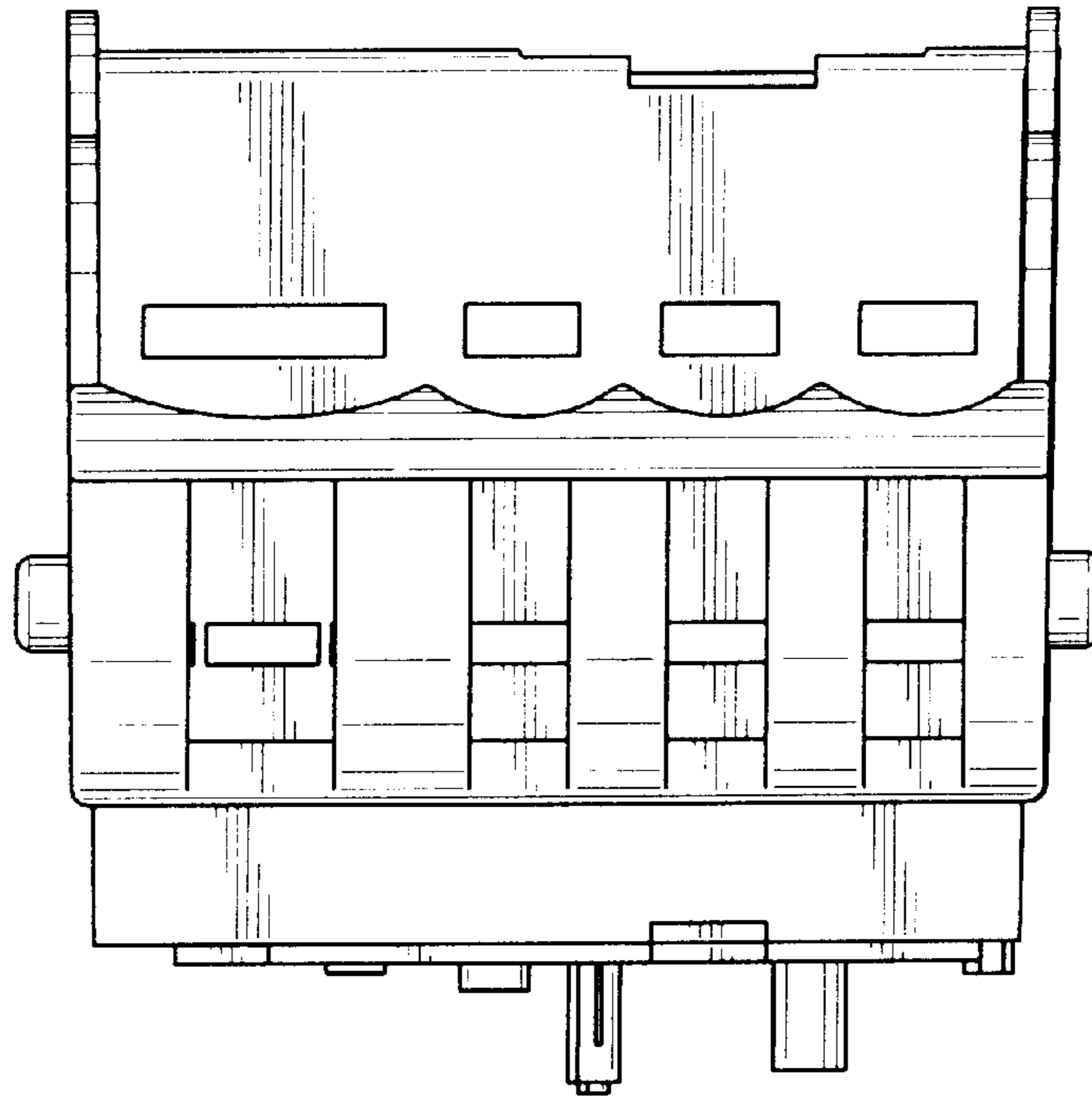
**DESCRIPTION**

FIG. 1 is a front view of an ink tank holder for printer showing our new design;  
 FIG. 2 is a rear view thereof;  
 FIG. 3 is a top plan view thereof;  
 FIG. 4 is a bottom plan view thereof;  
 FIG. 5 is a left side view thereof;  
 FIG. 6 is a right side view thereof;  
 FIG. 7 is a perspective view as viewed from rear and top direction thereof; and,  
 FIG. 8 is a perspective view as viewed from front and bottom direction thereof.

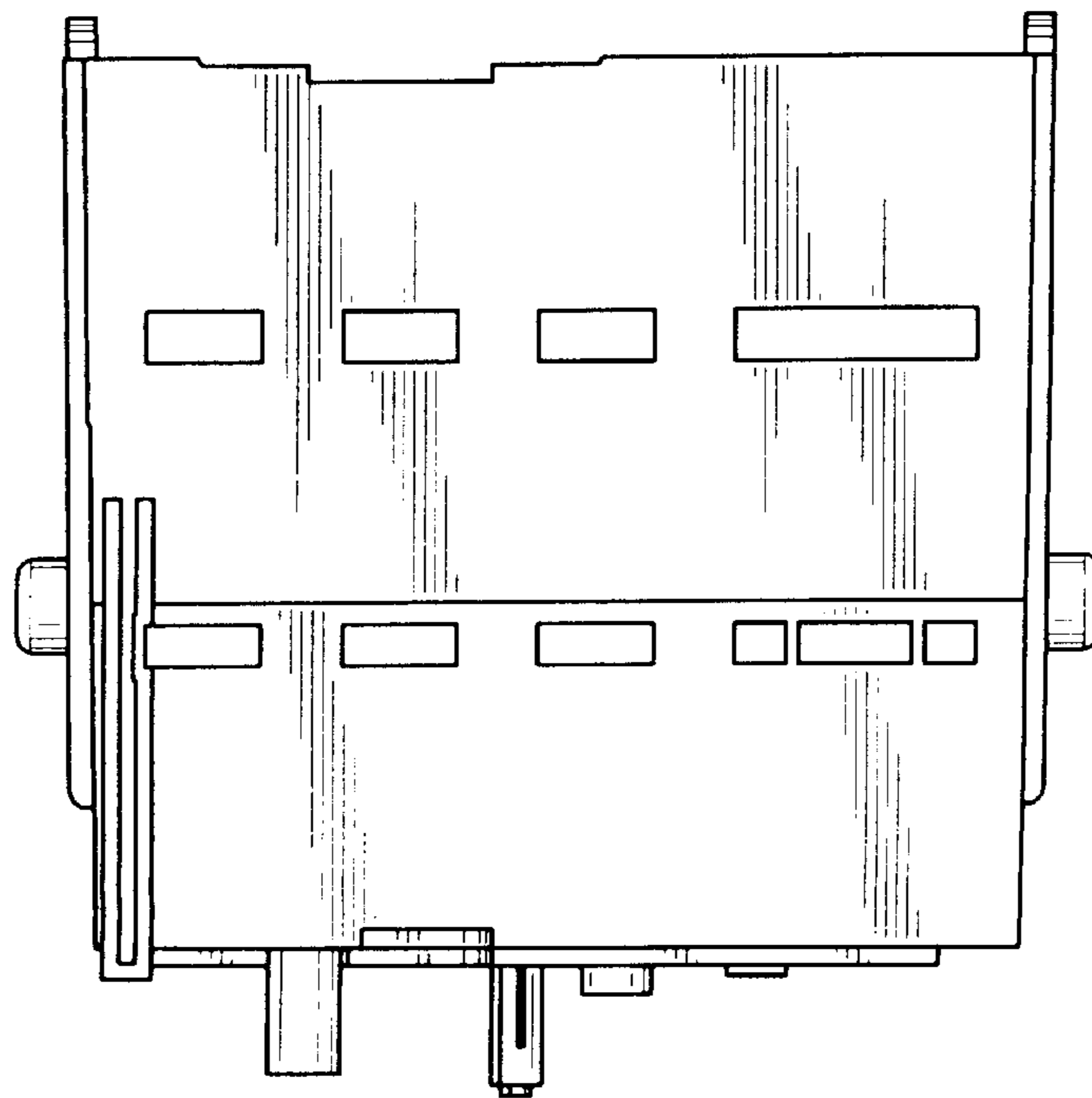
**1 Claim, 4 Drawing Sheets**



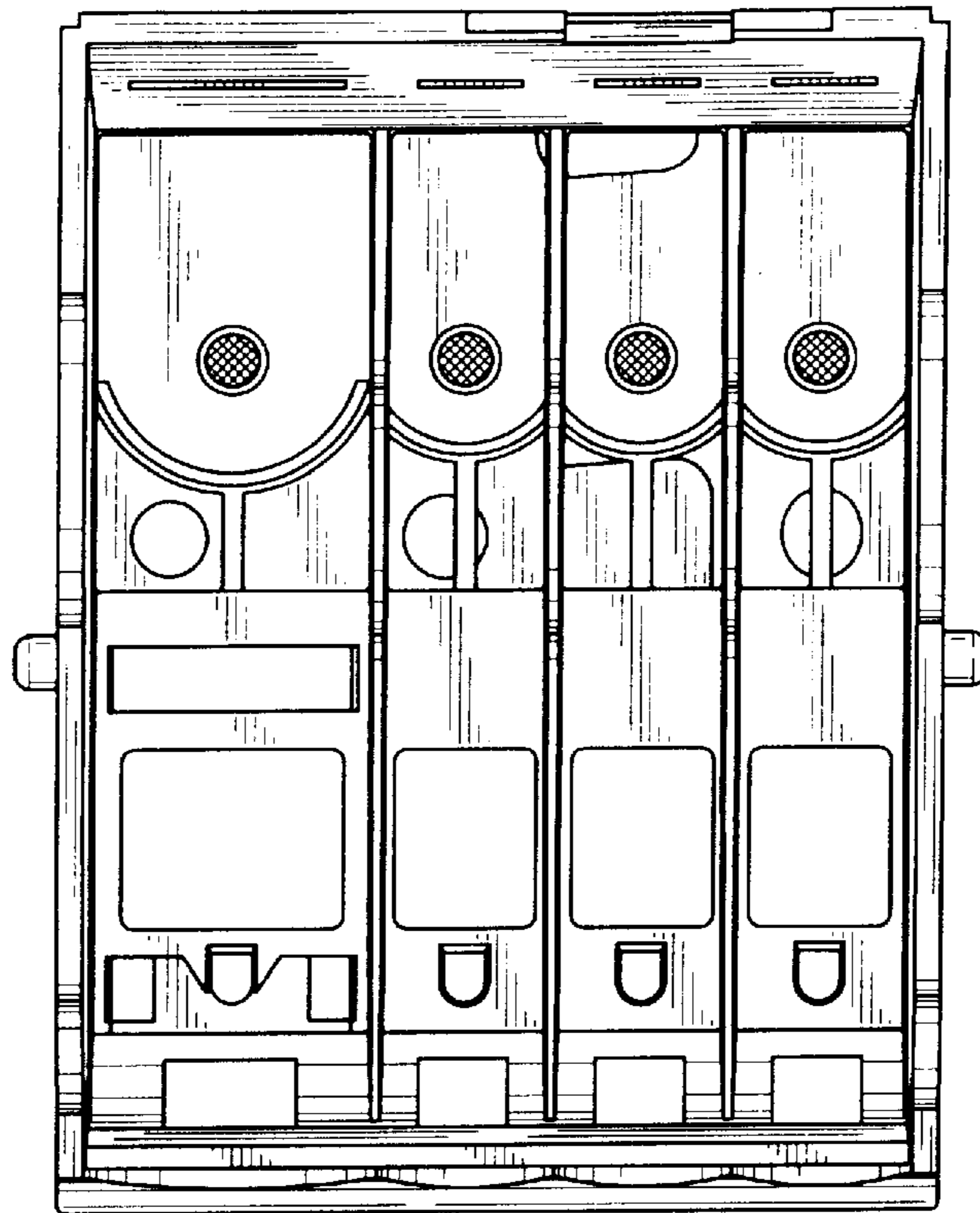
*FIG. 1*



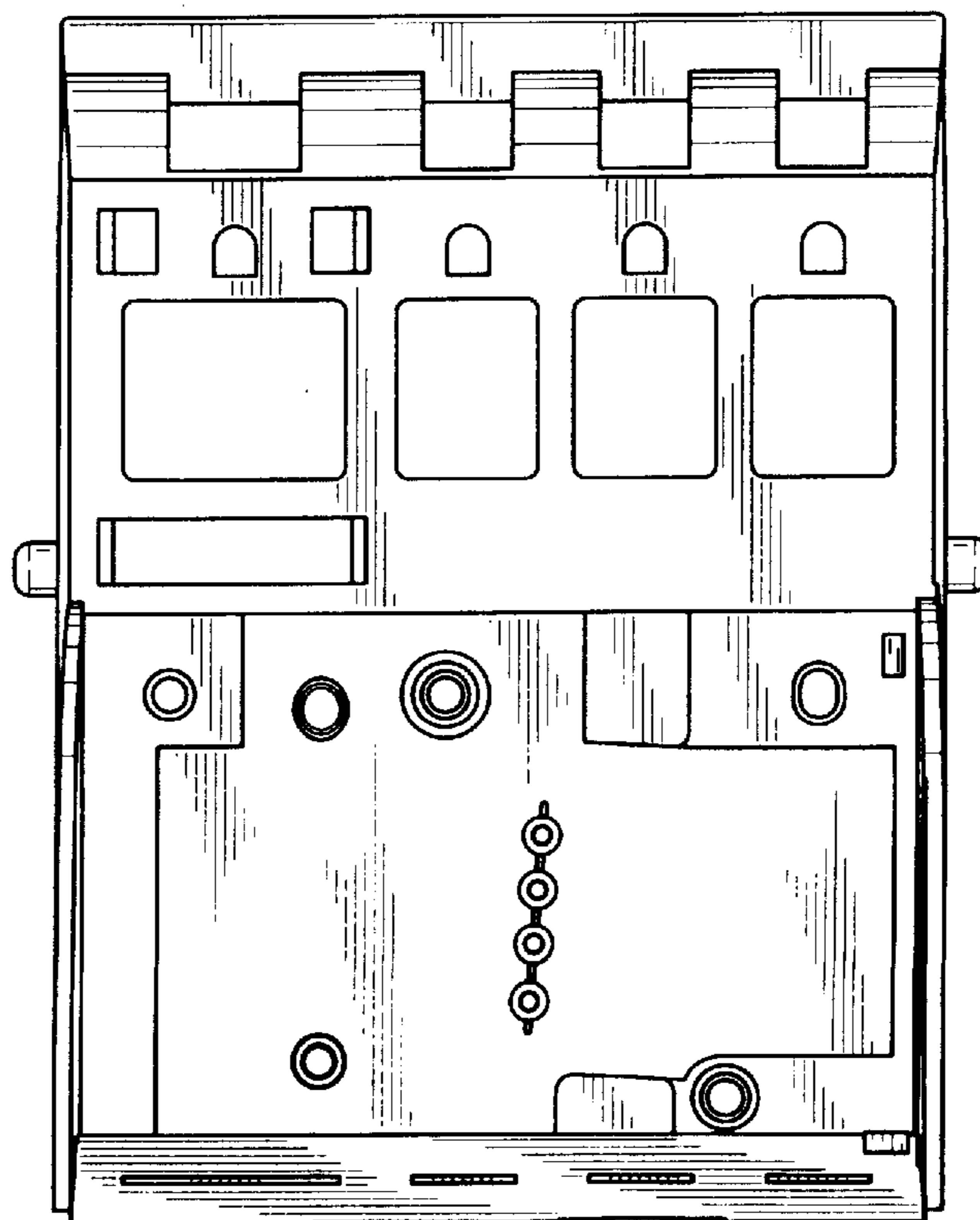
*FIG. 2*



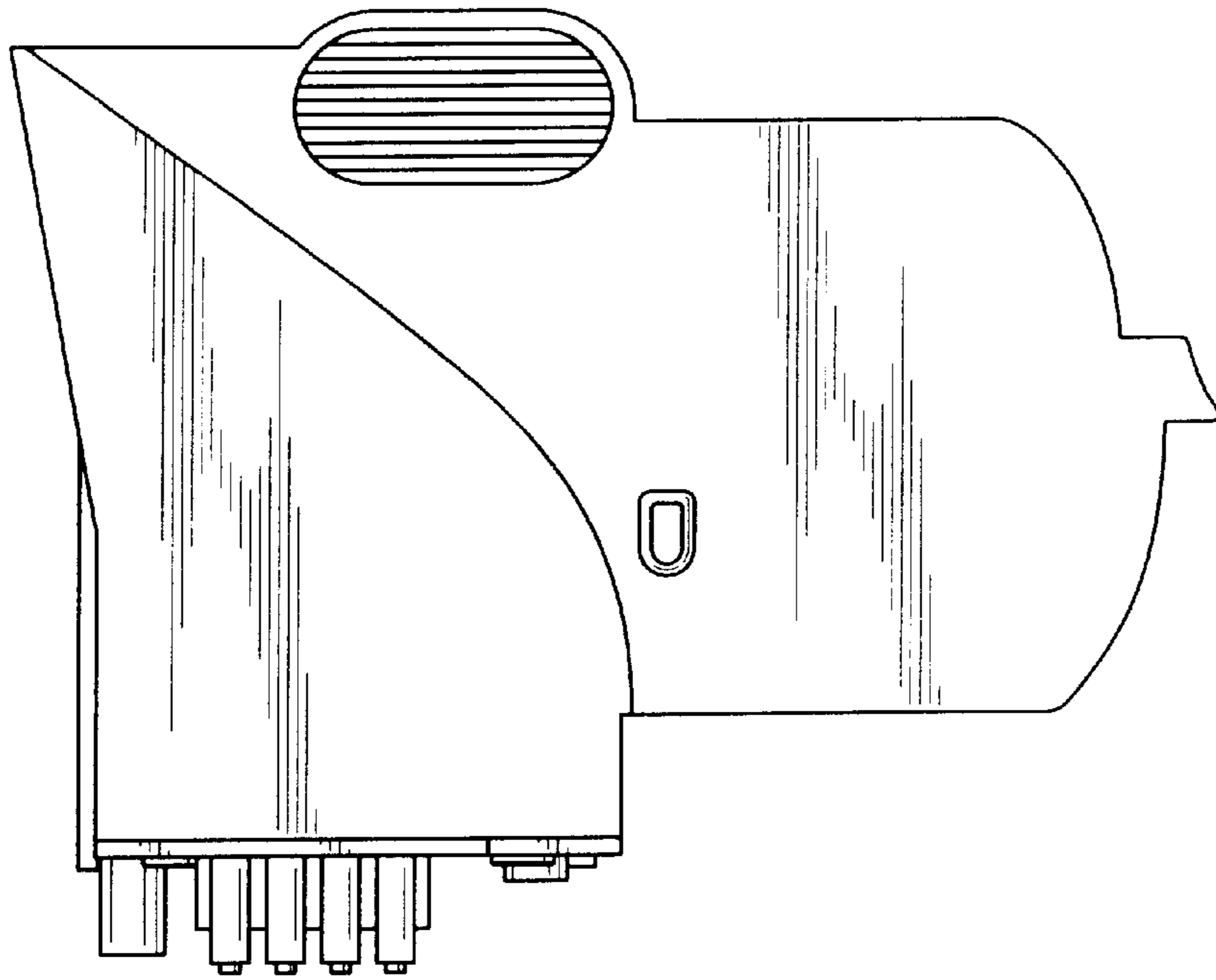
*FIG. 3*



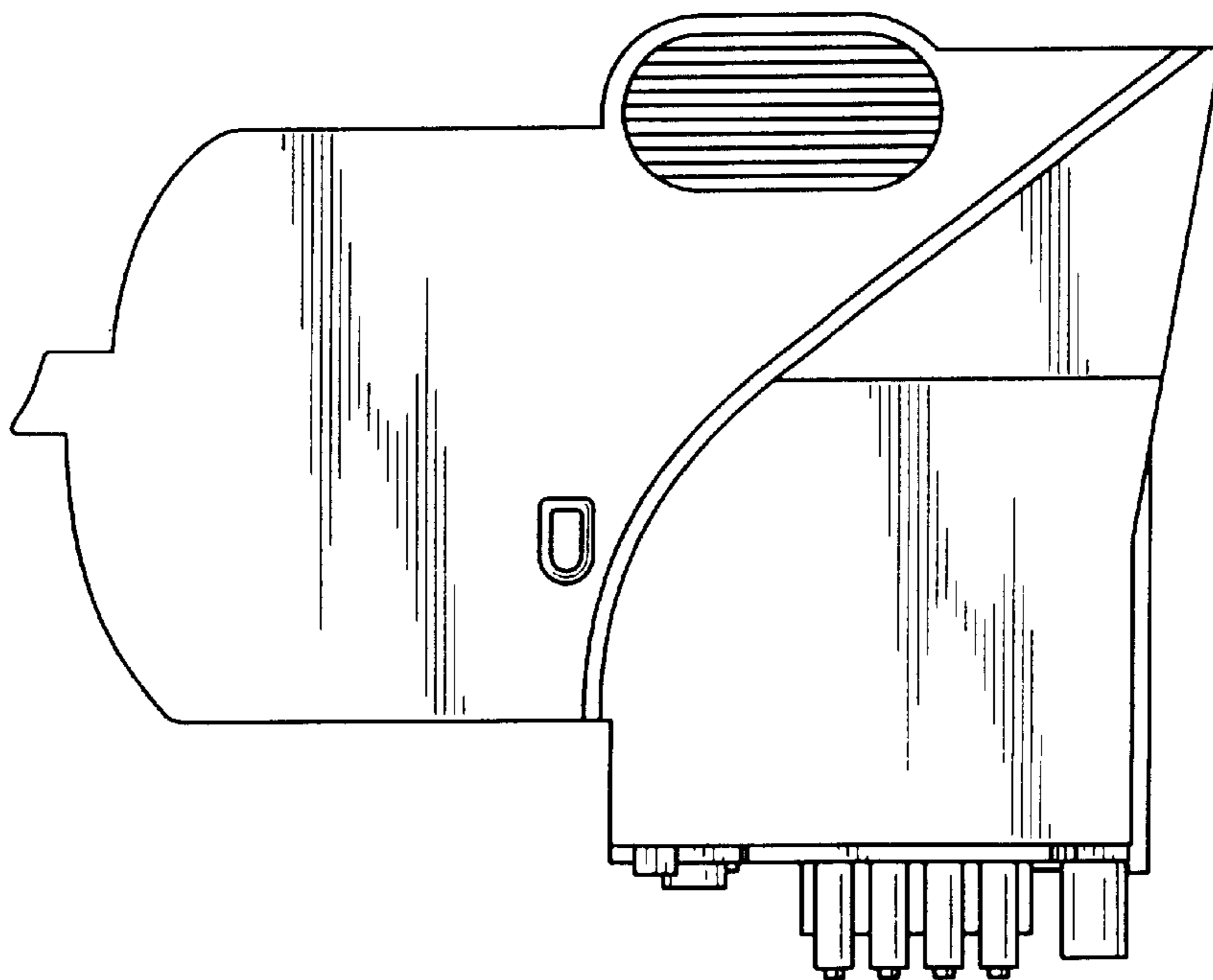
*FIG. 4*



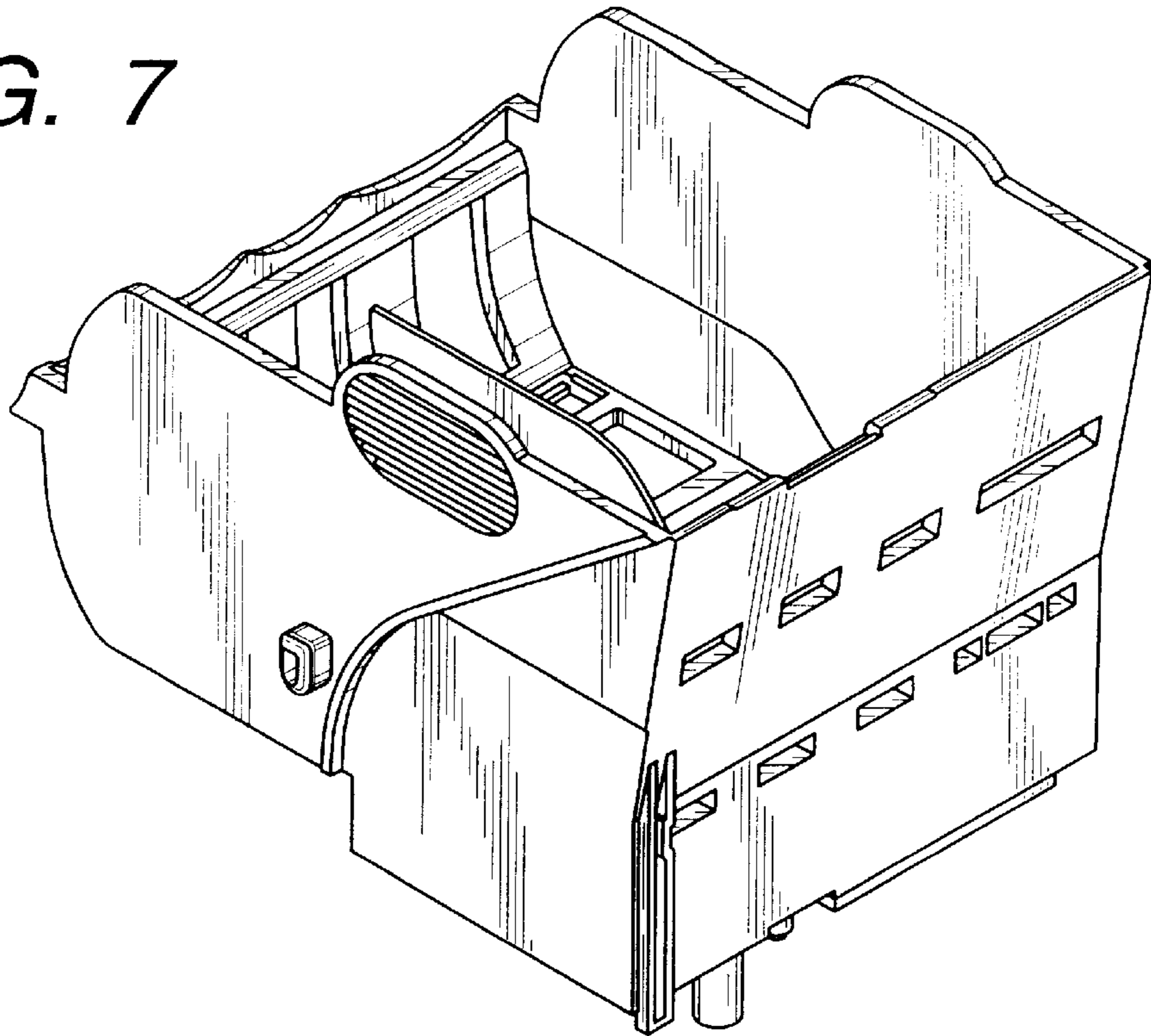
**FIG. 5**



**FIG. 6**



*FIG. 7*



*FIG. 8*

