



US00D438236S

(12) **United States Design Patent**
Masuda

(10) **Patent No.:** **US D438,236 S**

(45) **Date of Patent:** **** Feb. 27, 2001**

(54) **ELECTRONIC CASH REGISTER**

(75) **Inventor:** **Takuro Masuda, Tokyo (JP)**

(73) **Assignee:** **Toshiba Tec Kabushiki Kaisha, Tokyo (JP)**

(**) **Term:** **14 Years**

(21) **Appl. No.:** **29/124,540**

(22) **Filed:** **Jun. 8, 2000**

(30) **Foreign Application Priority Data**

Mar. 15, 2000 (JP) 12-005673
Mar. 15, 2000 (JP) 12-005674

(51) **LOC (7) Cl.** **18-01**

(52) **U.S. Cl.** **D18/4.3**

(58) **Field of Search** D18/4.1-4.6, 7;
235/7 R; 705/15, 16, 17

(56) **References Cited**

U.S. PATENT DOCUMENTS

D. 329,230	9/1992	Masuda .	
D. 331,417	* 12/1992	Kawaishi et al.	D18/4.3
D. 333,147	* 2/1993	Miyake et al.	D18/4.3
D. 369,176	4/1996	Masuda	D18/4.1
D. 375,972	11/1996	Masuda .	
D. 377,366	* 1/1997	Sato	D18/4.3
D. 384,367	* 9/1997	Jung	D18/4.1
D. 391,601	* 3/1998	Kanaoka	D18/4.1
D. 397,719	9/1998	Masuda	D18/4.1

* cited by examiner

Primary Examiner—Caron D. Veynar

(74) *Attorney, Agent, or Firm*—Oblon, Spivak, McClelland, Maier & Neustadt, P.C.

(57) **CLAIM**

The ornamental design for electronic cash register, as shown and described.

DESCRIPTION

FIG. 1 is a top, left and front perspective view of electronic cash register, showing my design;
 FIG. 2 is a front elevational view thereof;
 FIG. 3 is a rear elevational view thereof;
 FIG. 4 is a top plan view thereof;
 FIG. 5 is a bottom view thereof;
 FIG. 6 is a left side elevational view thereof;
 FIG. 7 is a right side elevational view thereof;
 FIG. 8 is a right side elevational view for reference, showing an example use thereof;
 FIG. 9 is a top, left and front perspective view of a second embodiment of an electronic cash register showing my design;
 FIG. 10 is a front elevational view thereof;
 FIG. 11 is a rear elevational view thereof;
 FIG. 12 is a top plan view thereof;
 FIG. 13 is a bottom view thereof;
 FIG. 14 is a left side elevational view thereof;
 FIG. 15 is a right side elevational view thereof; and,
 FIG. 16 is a right side elevational view for reference, showing an example use thereof.

1 Claim, 10 Drawing Sheets

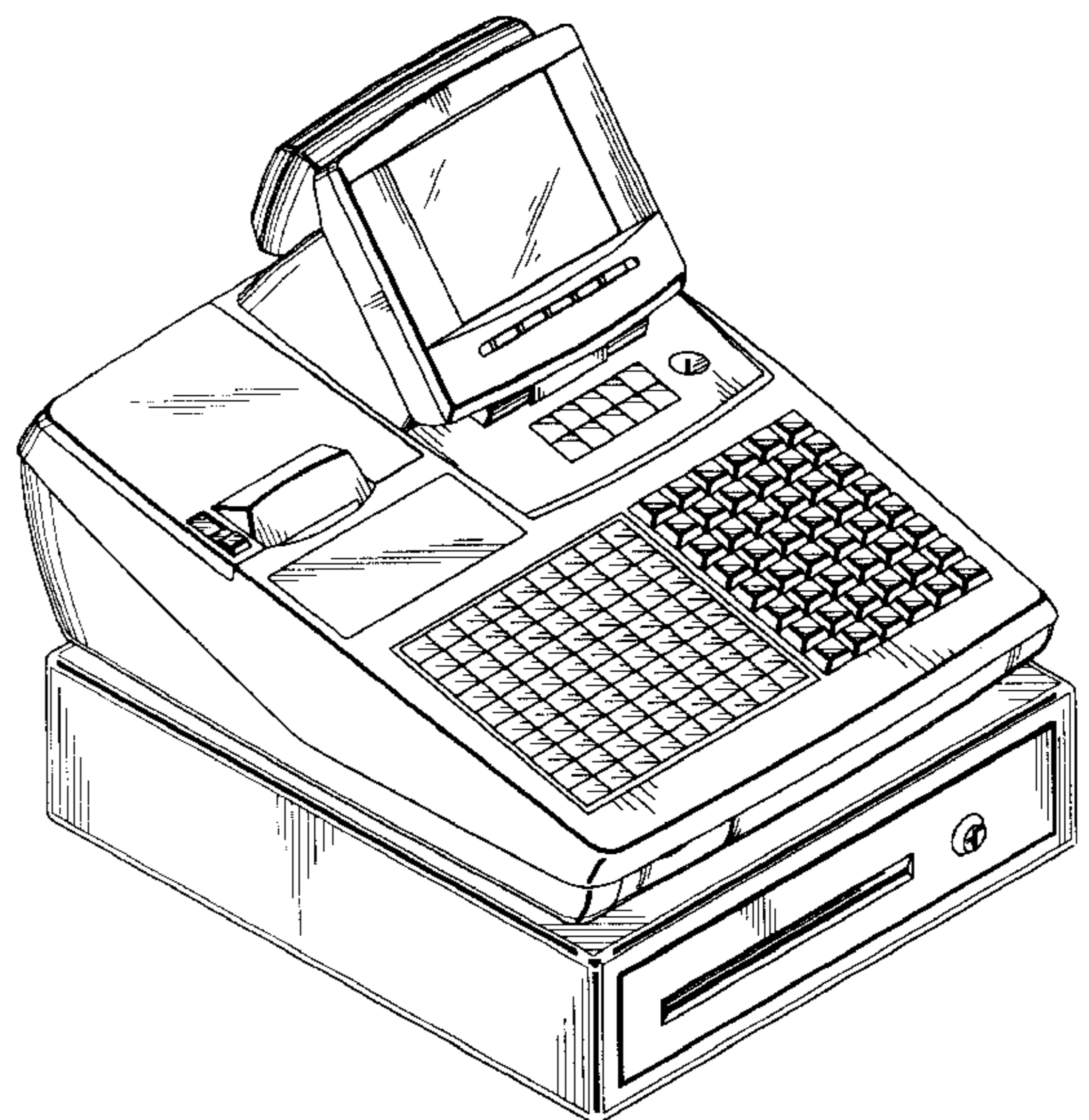
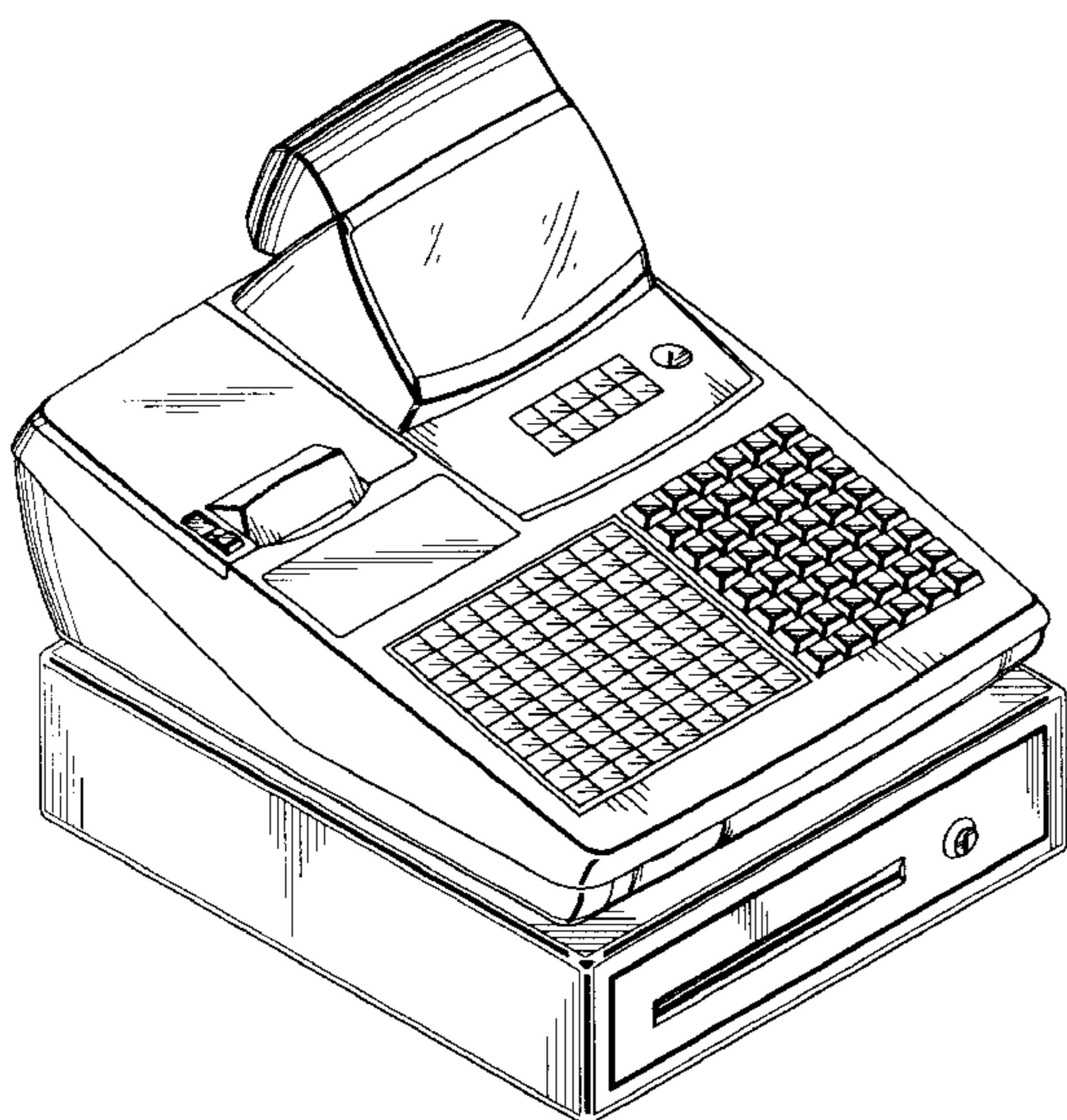


Fig. 1



Fig. 2

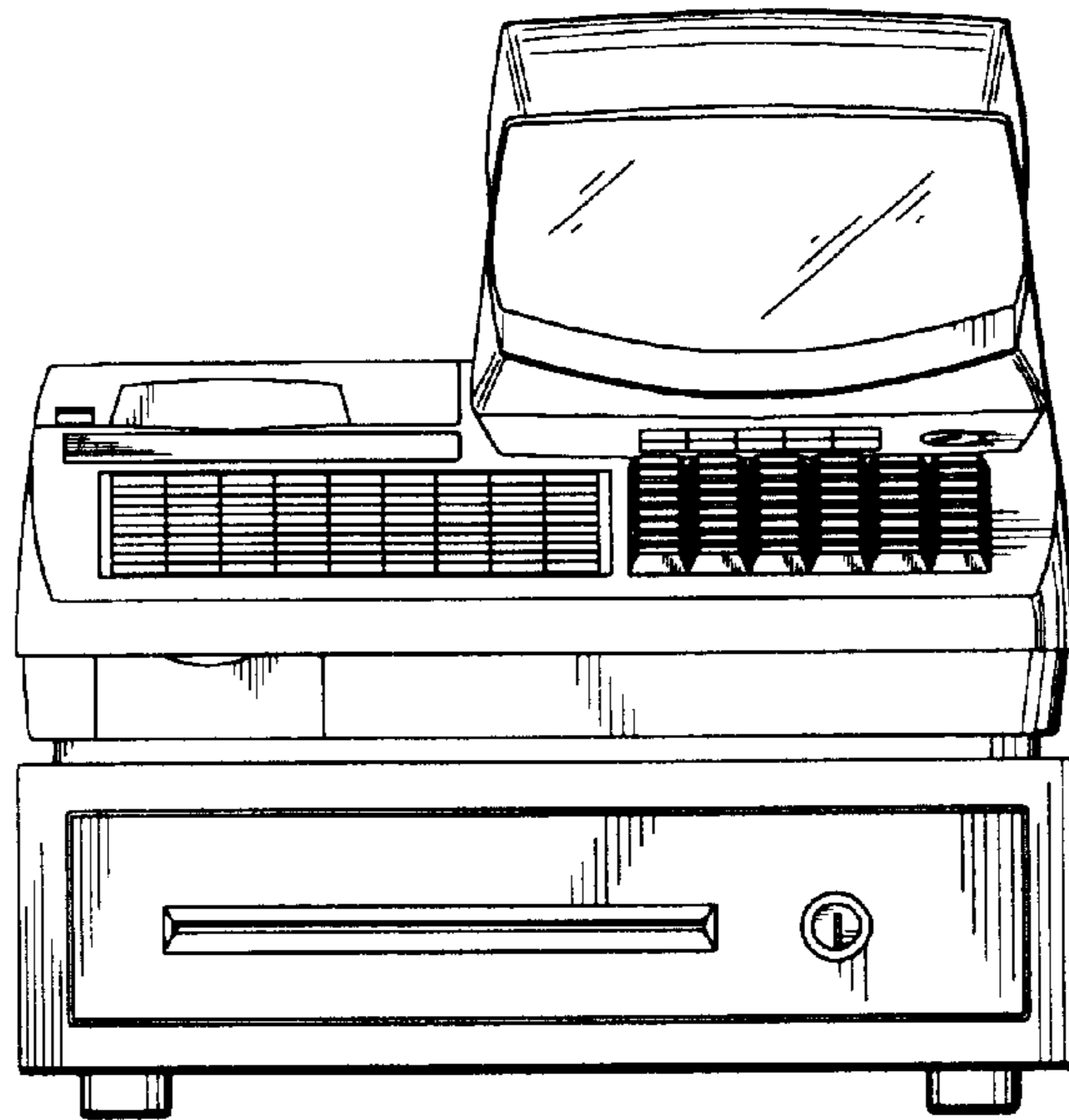


Fig. 3

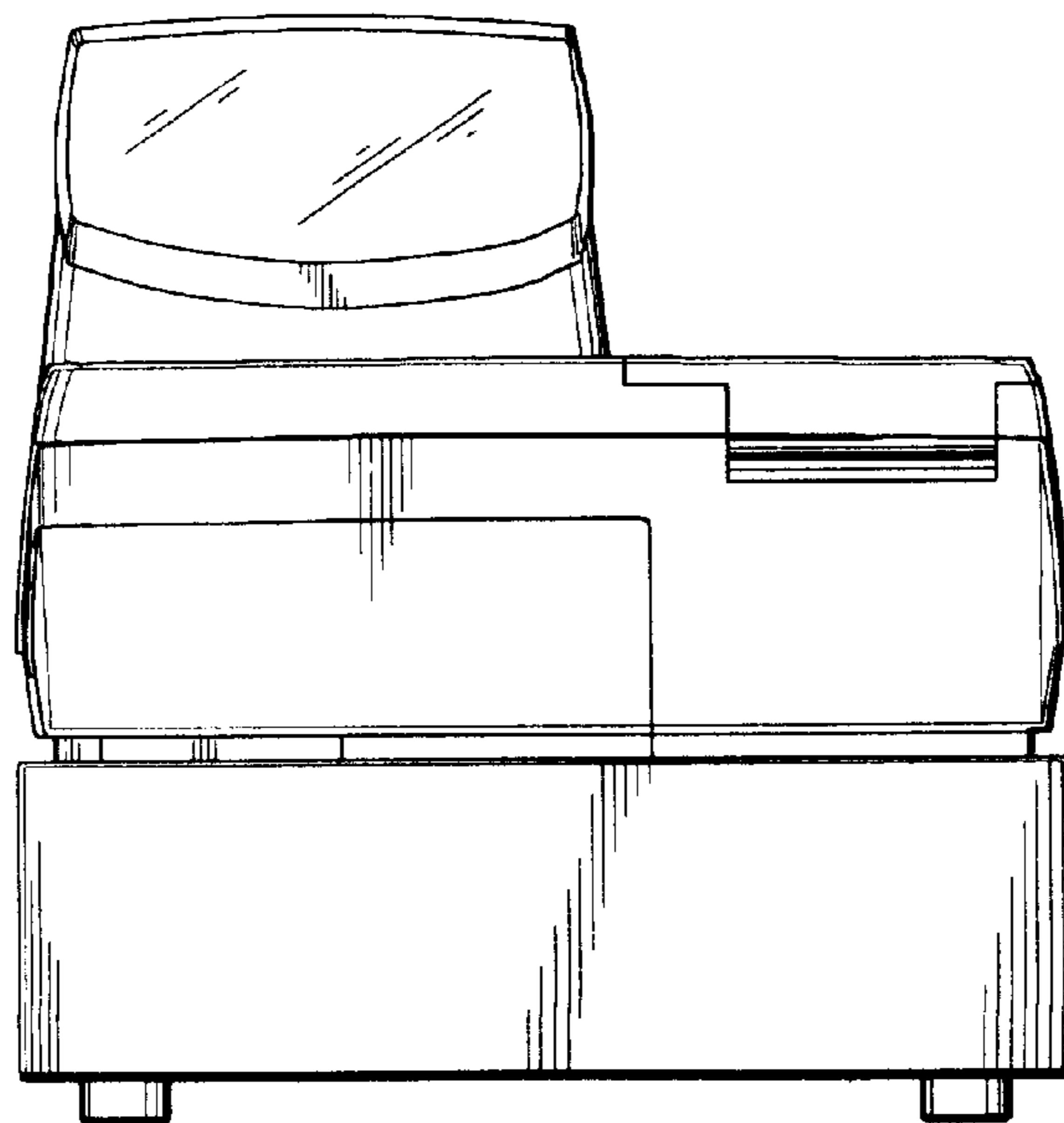


Fig. 4

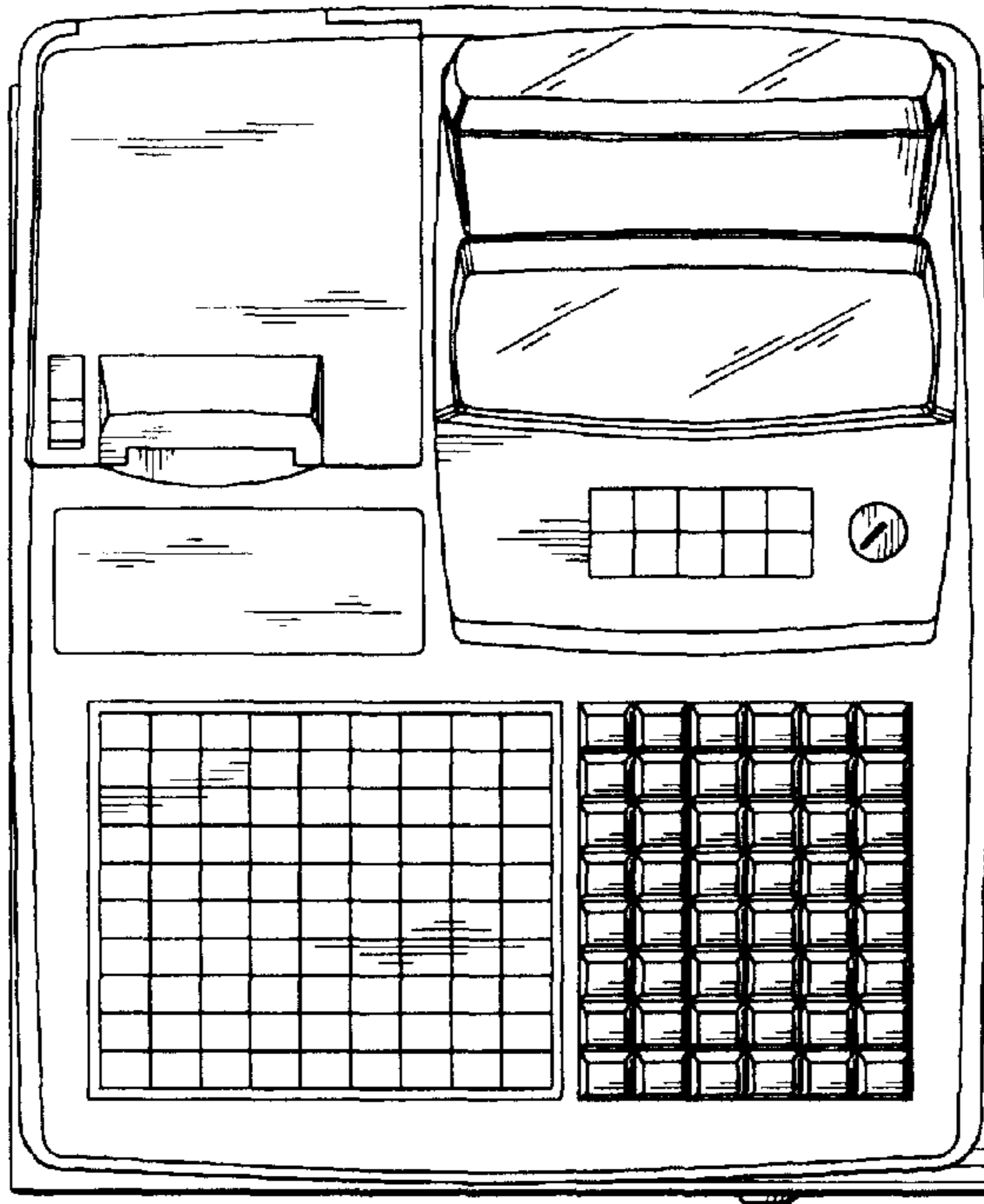


Fig. 5

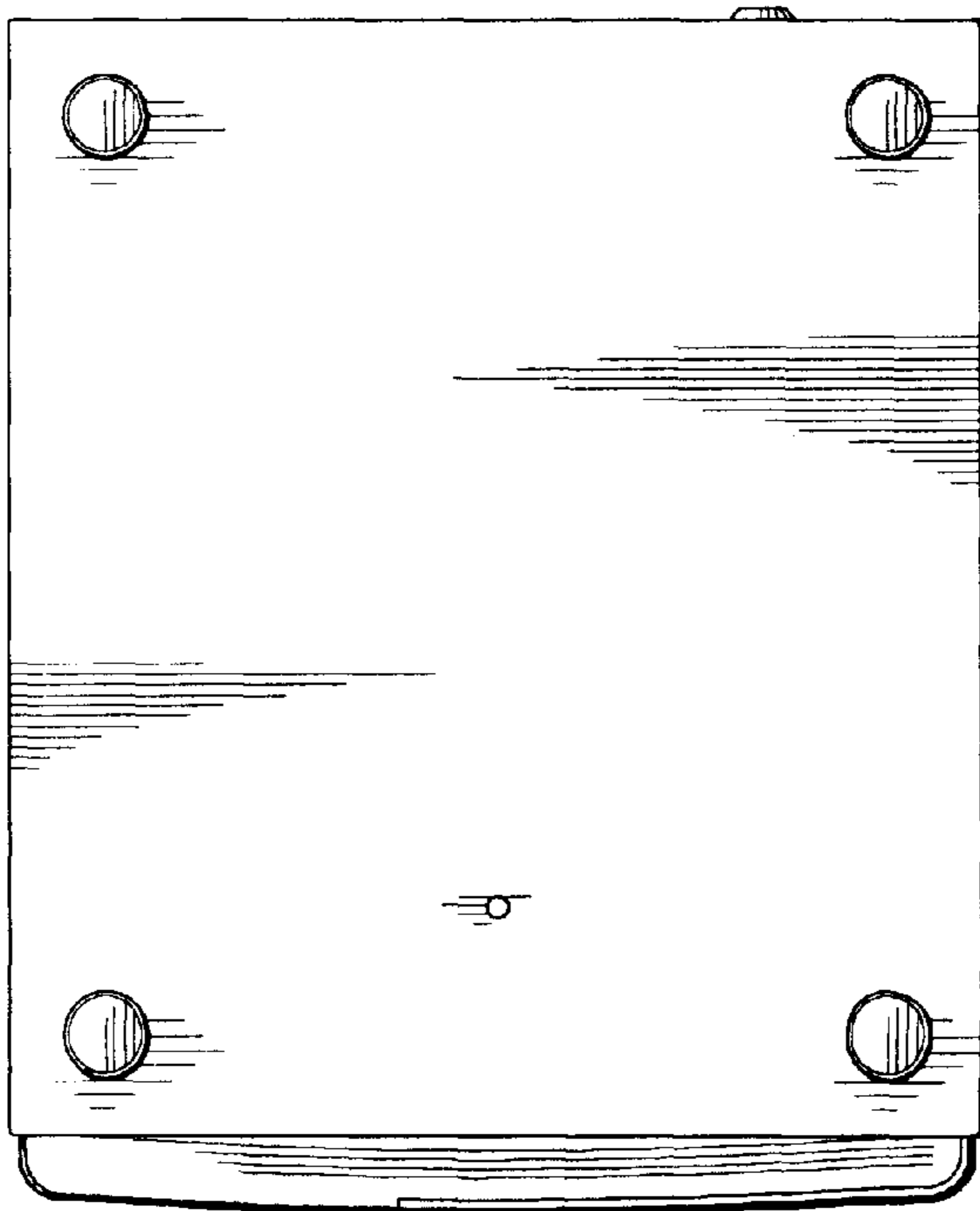


Fig. 6

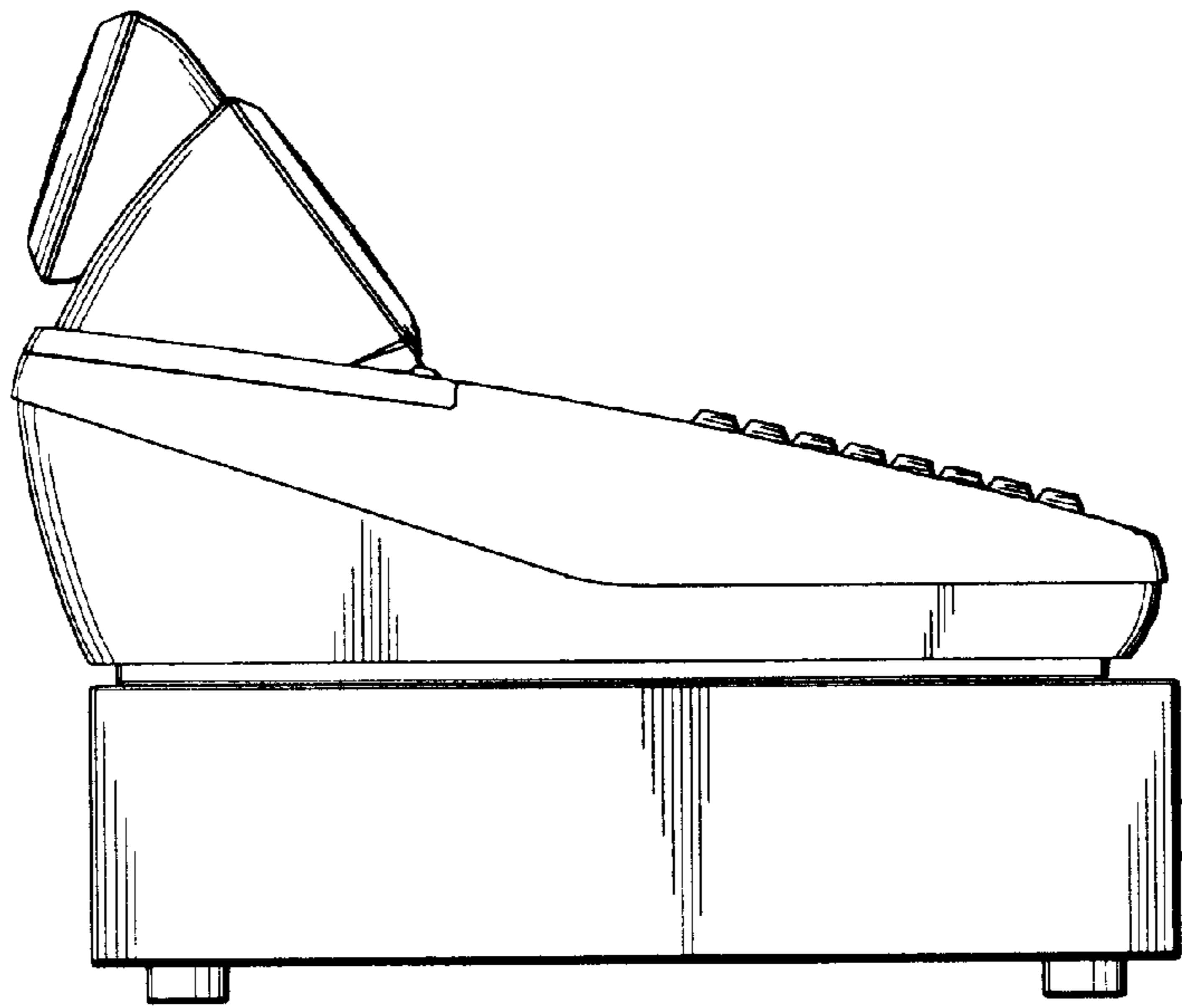


Fig. 7

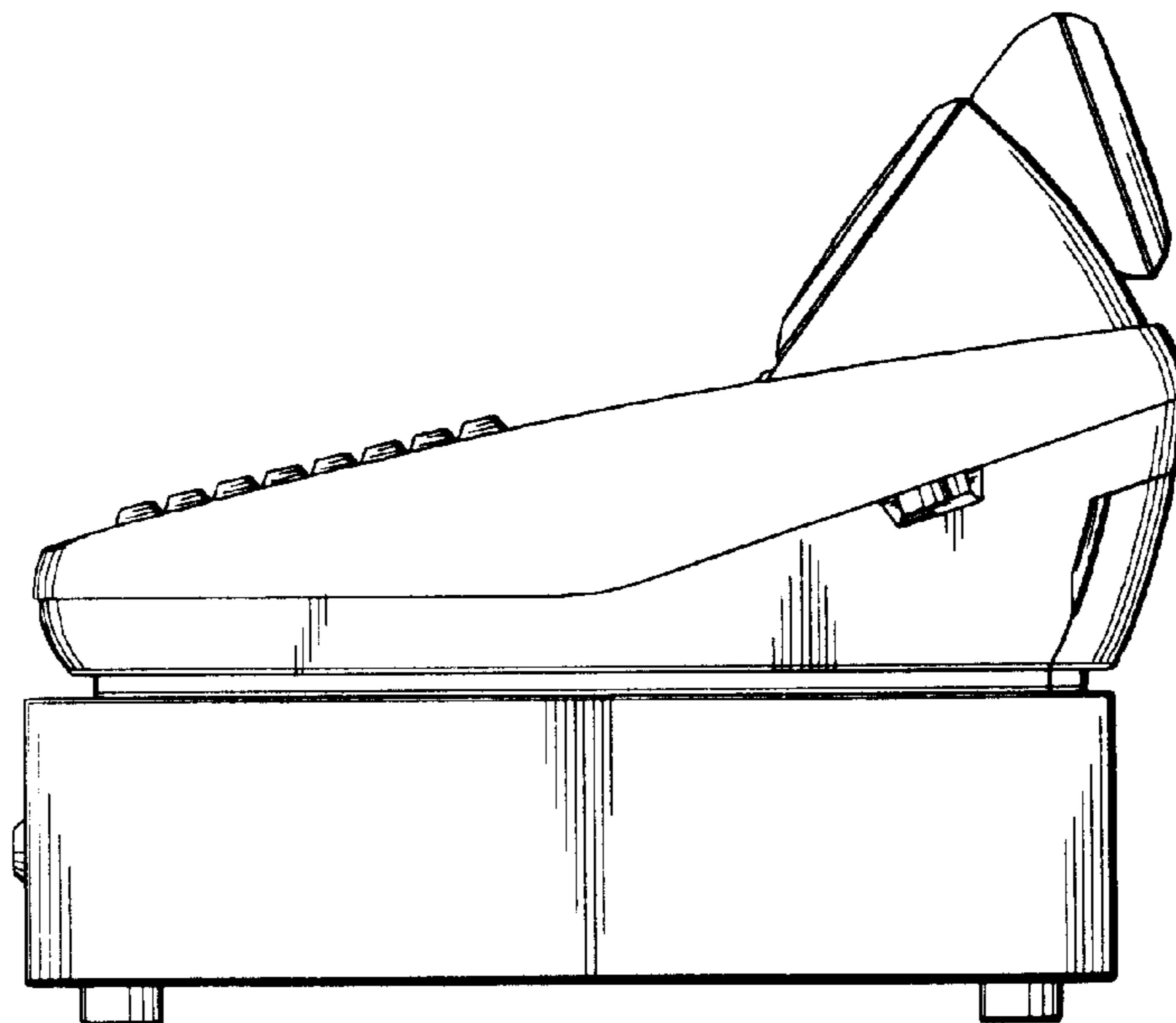


Fig. 8

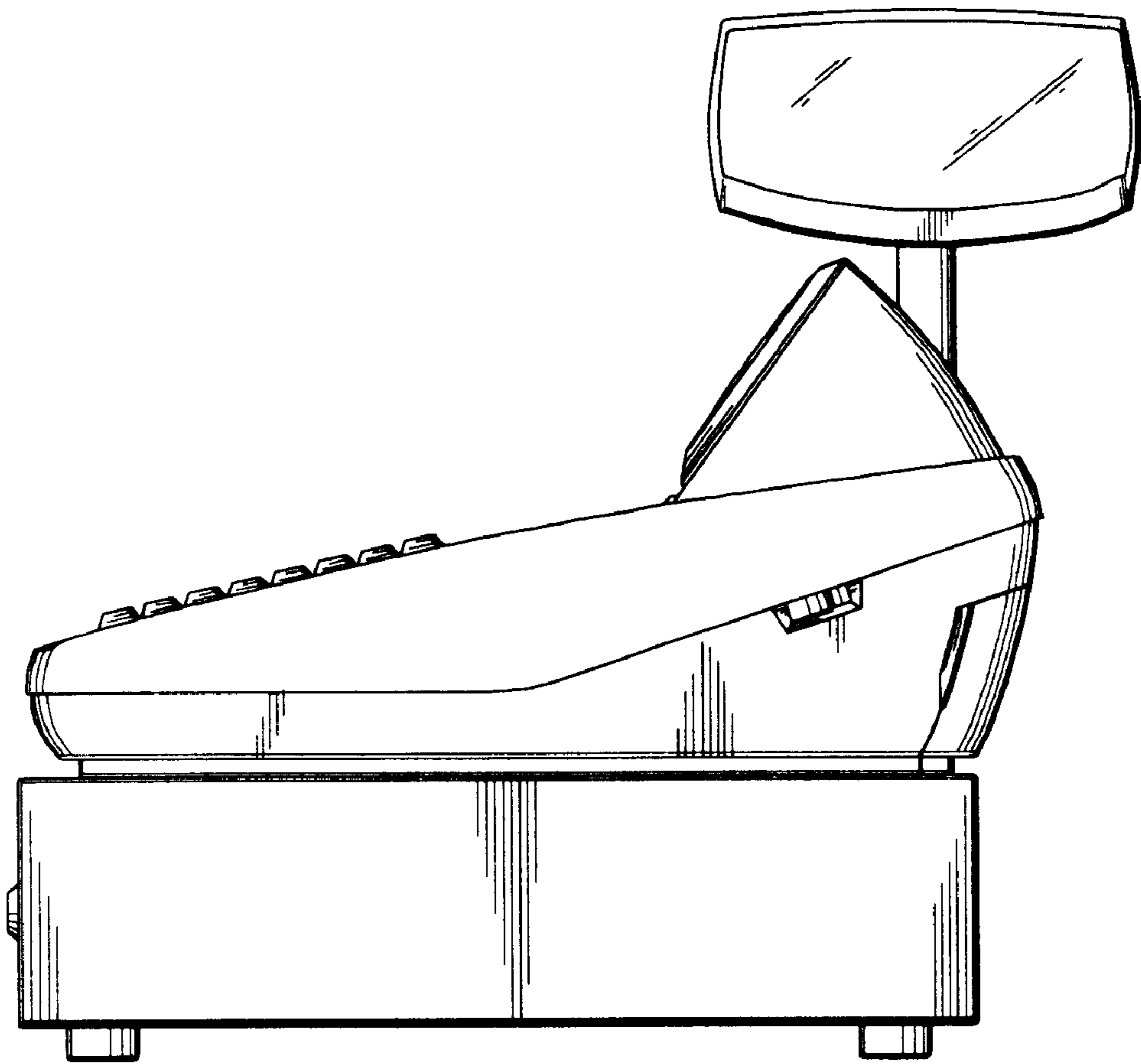


Fig. 9

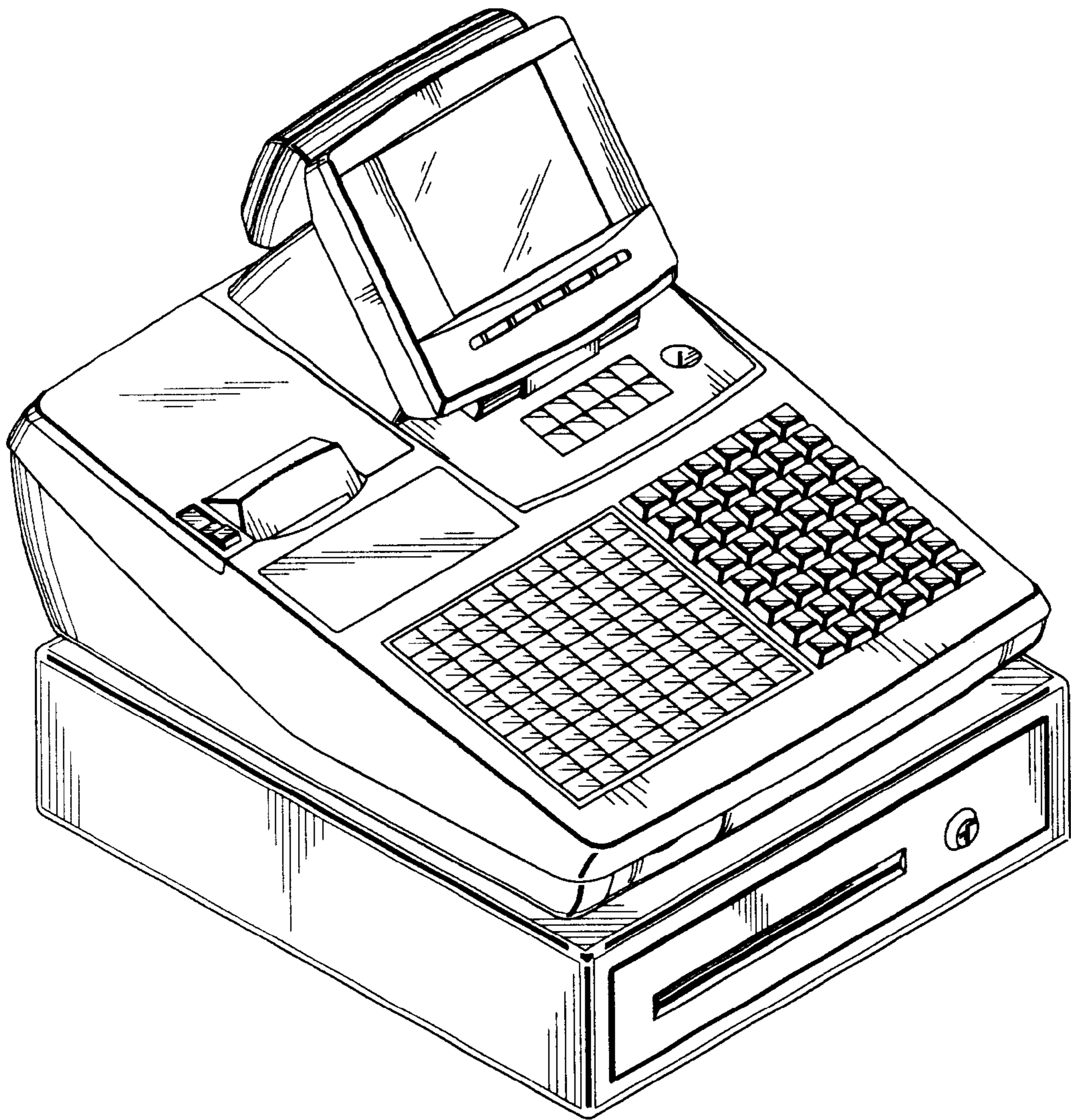


Fig. 10

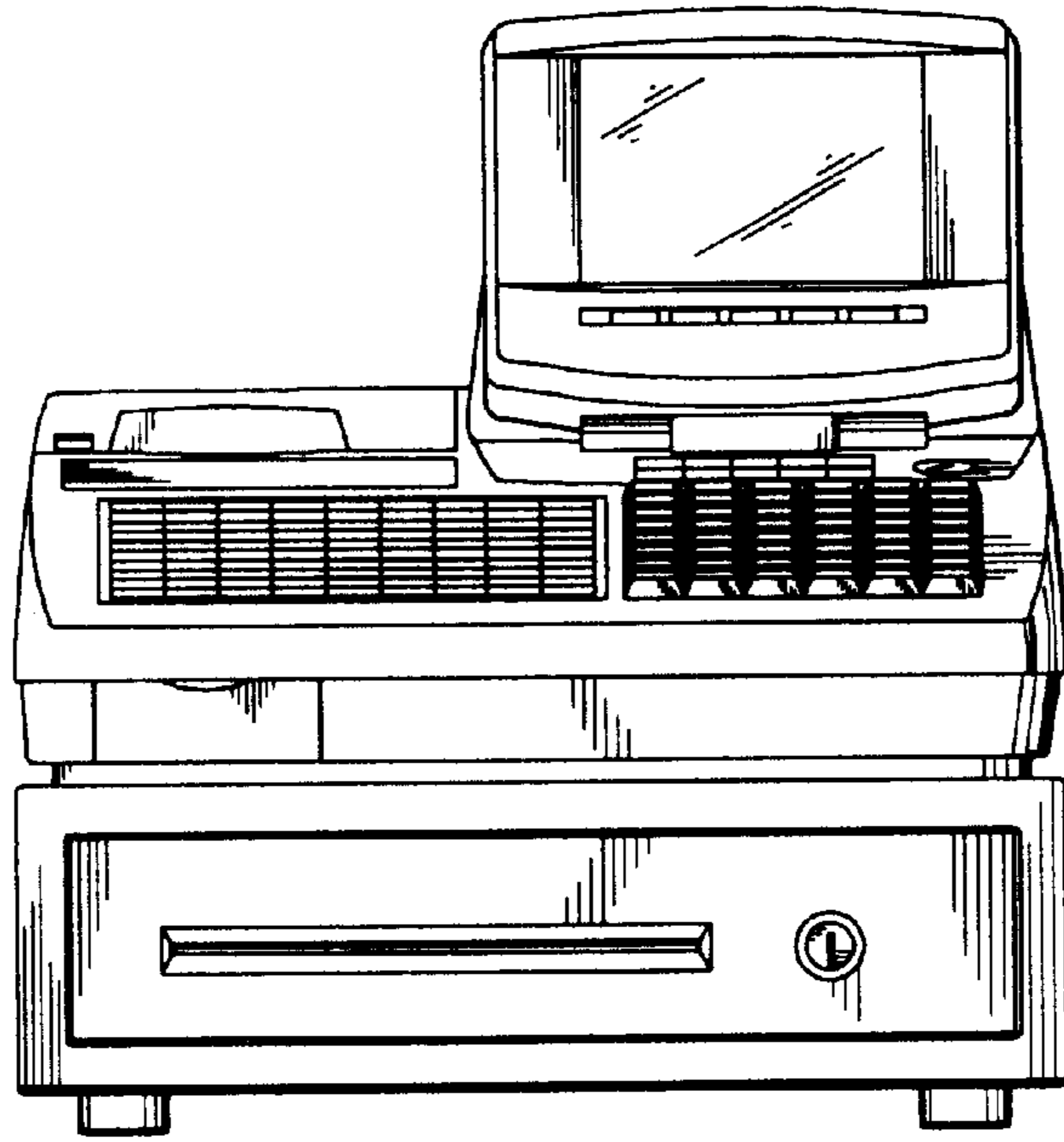


Fig. 11

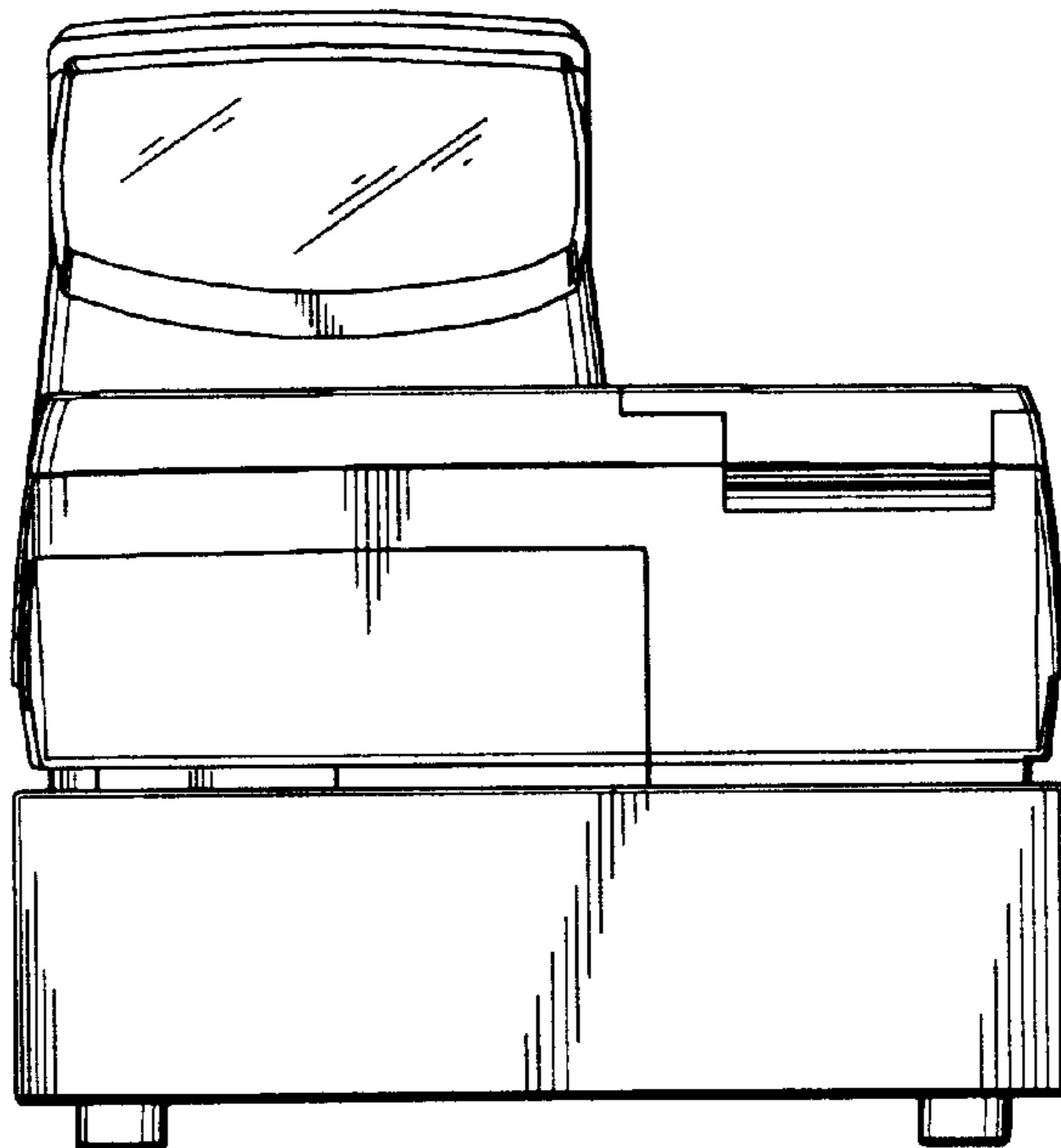


Fig. 12

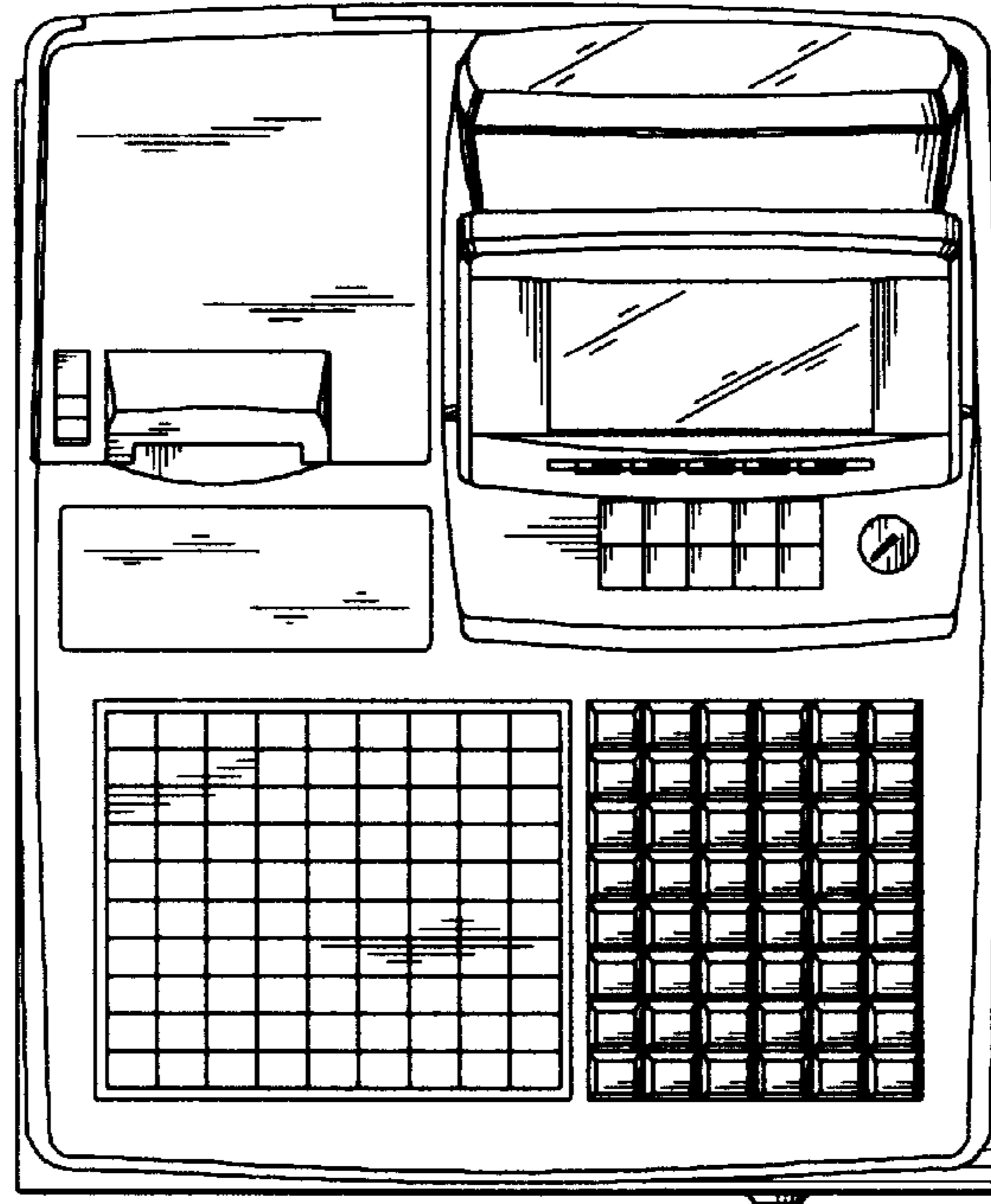


Fig. 13

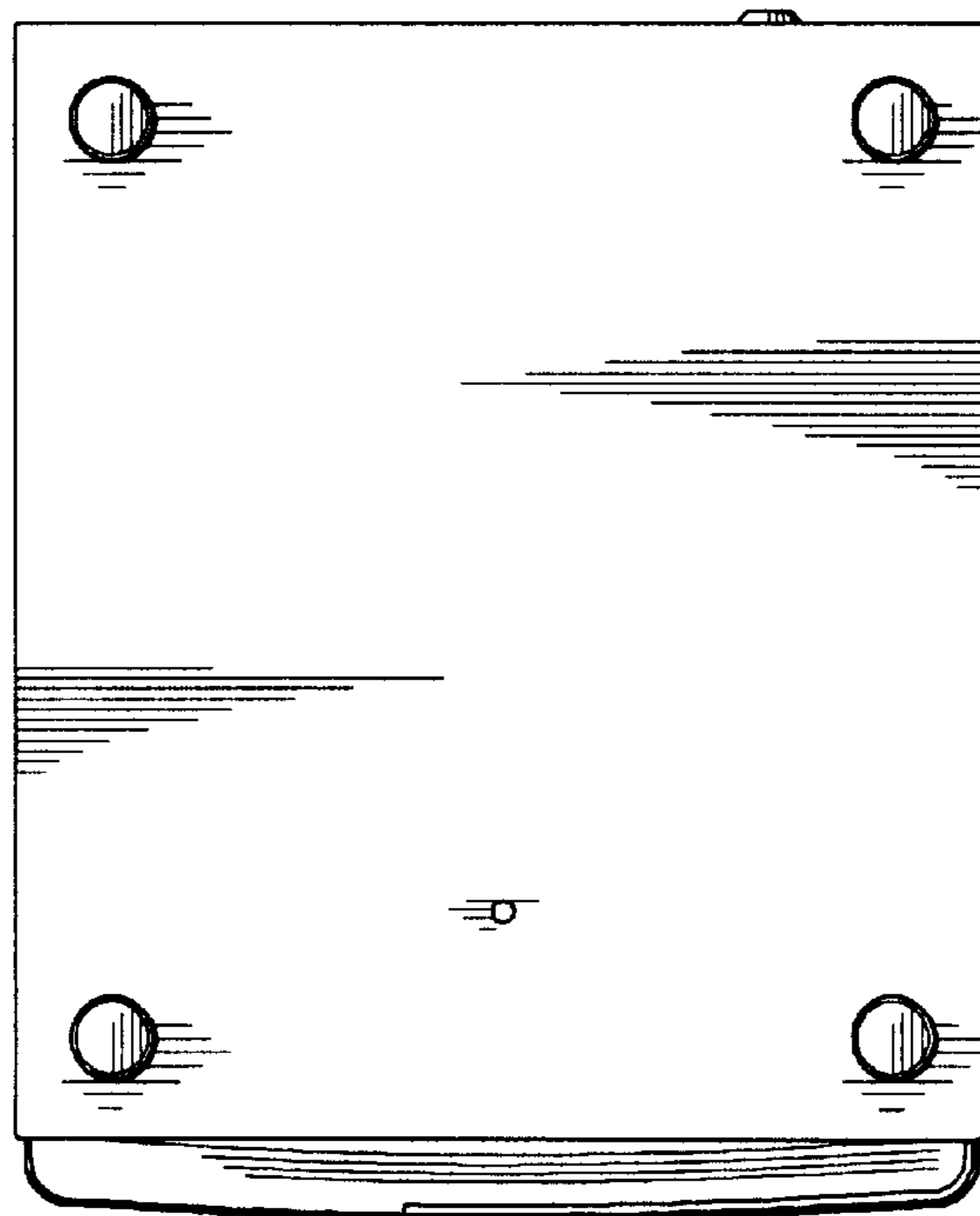


Fig. 14

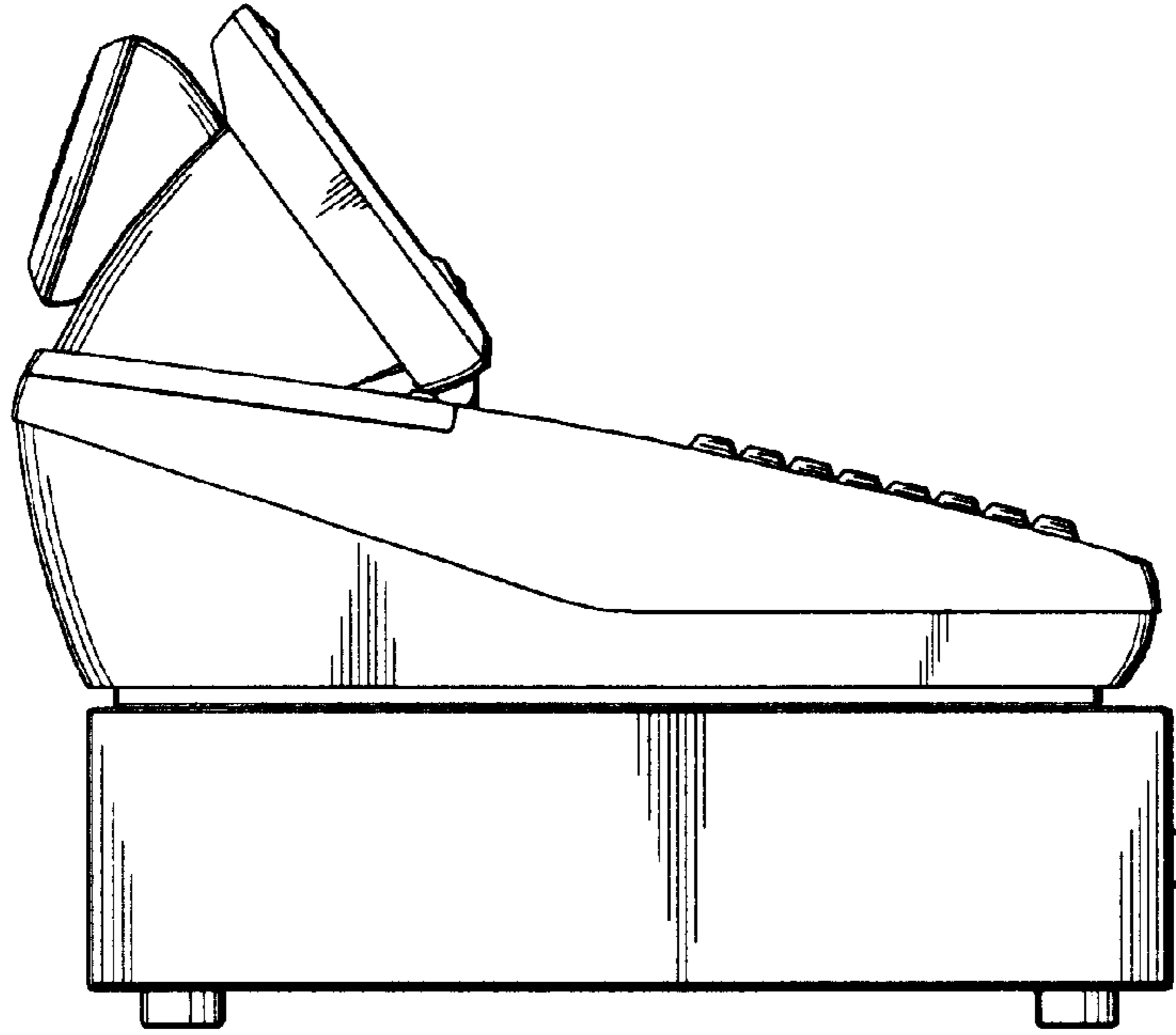


Fig. 15

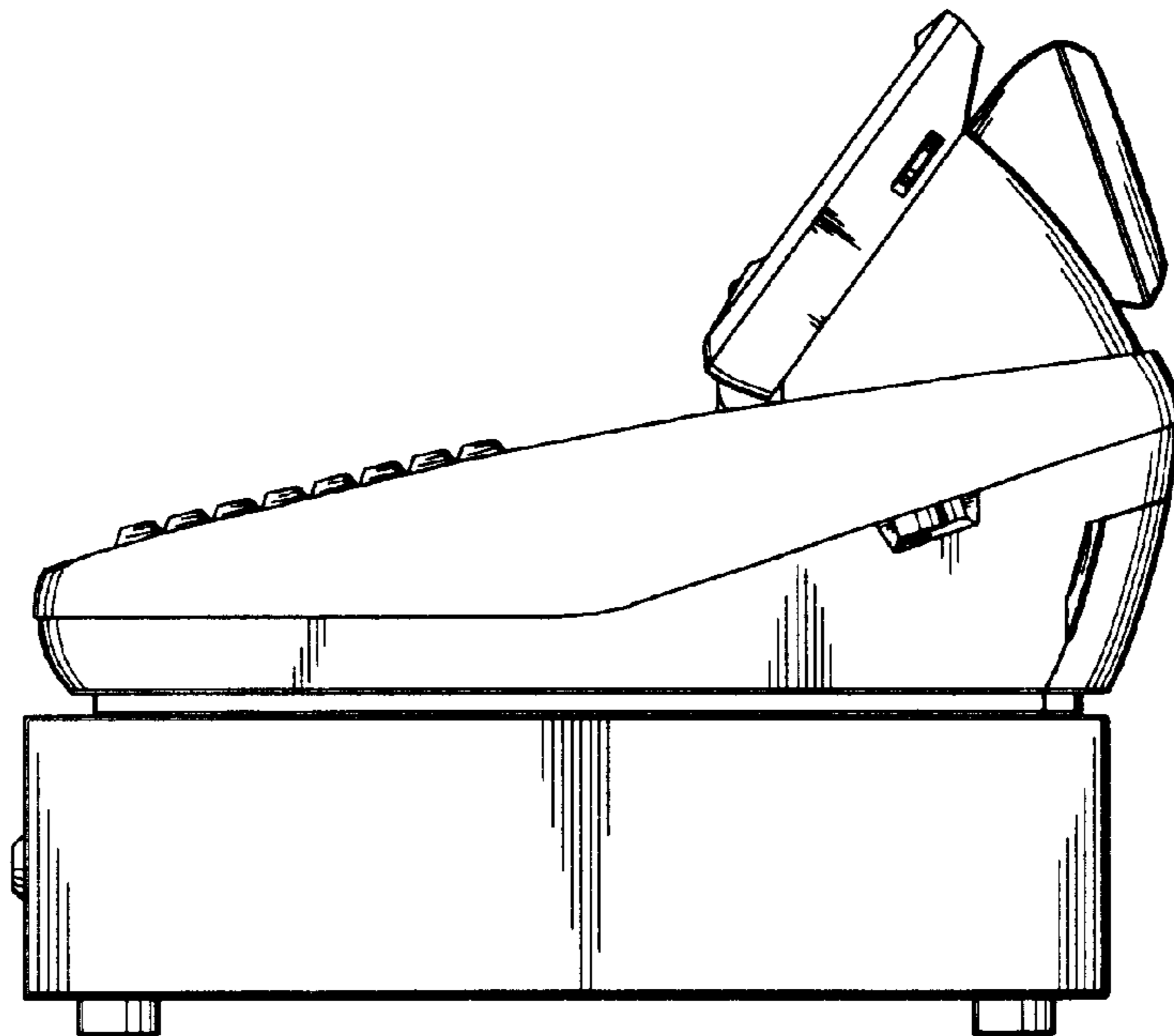


Fig. 16

