



US00D438229S

(12) **United States Design Patent**
Kawai

(10) **Patent No.:** **US D438,229 S**

(45) **Date of Patent:** **** Feb. 27, 2001**

(54) **CAMERA**

(75) **Inventor:** **Hideki Kawai, Tokyo (JP)**

(73) **Assignee:** **Canon Kabushiki Kaisha, Tokyo (JP)**

(**) **Term:** **14 Years**

(21) **Appl. No.:** **29/120,836**

(22) **Filed:** **Mar. 28, 2000**

(30) **Foreign Application Priority Data**

Oct. 1, 1999 (JP) 11-26686

(51) **LOC (7) Cl.** **16-01**

(52) **U.S. Cl.** **D16/218**

(58) **Field of Search** D16/200-206,
D16/208, 209, 210, 217, 218; 396/6, 7,
535-541

(56) **References Cited**

U.S. PATENT DOCUMENTS

D. 360,218 * 7/1995 Igarashi et al. D16/209

D. 373,130 * 8/1996 Jin D16/218

D. 398,320 * 9/1998 Powell D16/218

D. 410,482 6/1999 Kawai D16/218

D. 426,251 * 6/2000 Wood D16/218

5,255,032 * 10/1993 Michaud 396/535

* cited by examiner

Primary Examiner—Adir Aronovich

(74) *Attorney, Agent, or Firm*—Fitzpatrick, Cella, Harper & Scinto

(57) **CLAIM**

The ornamental design for a camera, as shown and described.

DESCRIPTION

FIG. 1 is a front view of a camera showing my new design; FIG. 2 is a rear view thereof; FIG. 3 is a top plan view thereof; FIG. 4 is a bottom plan view thereof; FIG. 5 is a left side view thereof; FIG. 6 is a right side view thereof; and, FIG. 7 is a perspective view thereof.

1 Claim, 4 Drawing Sheets

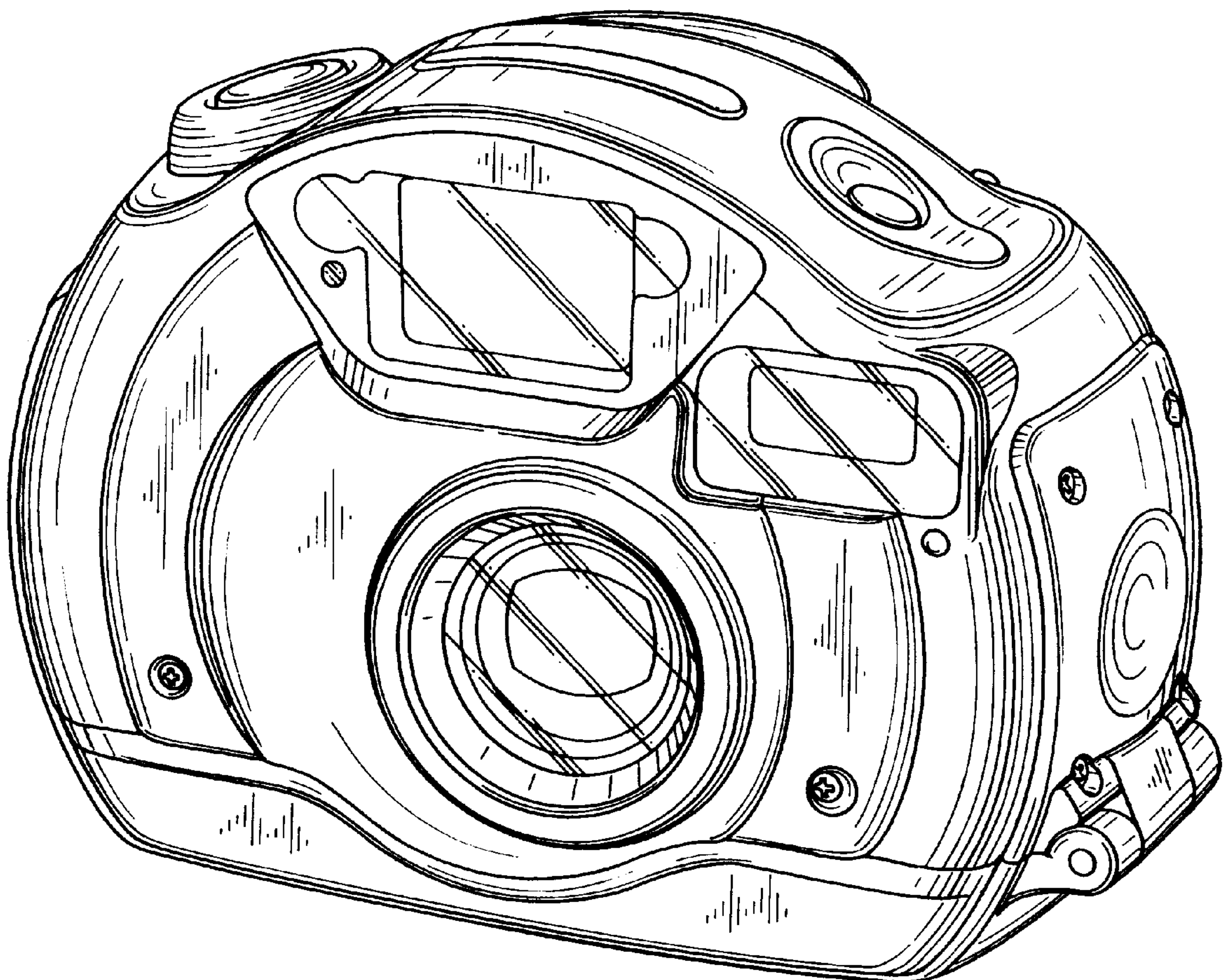


FIG. 1

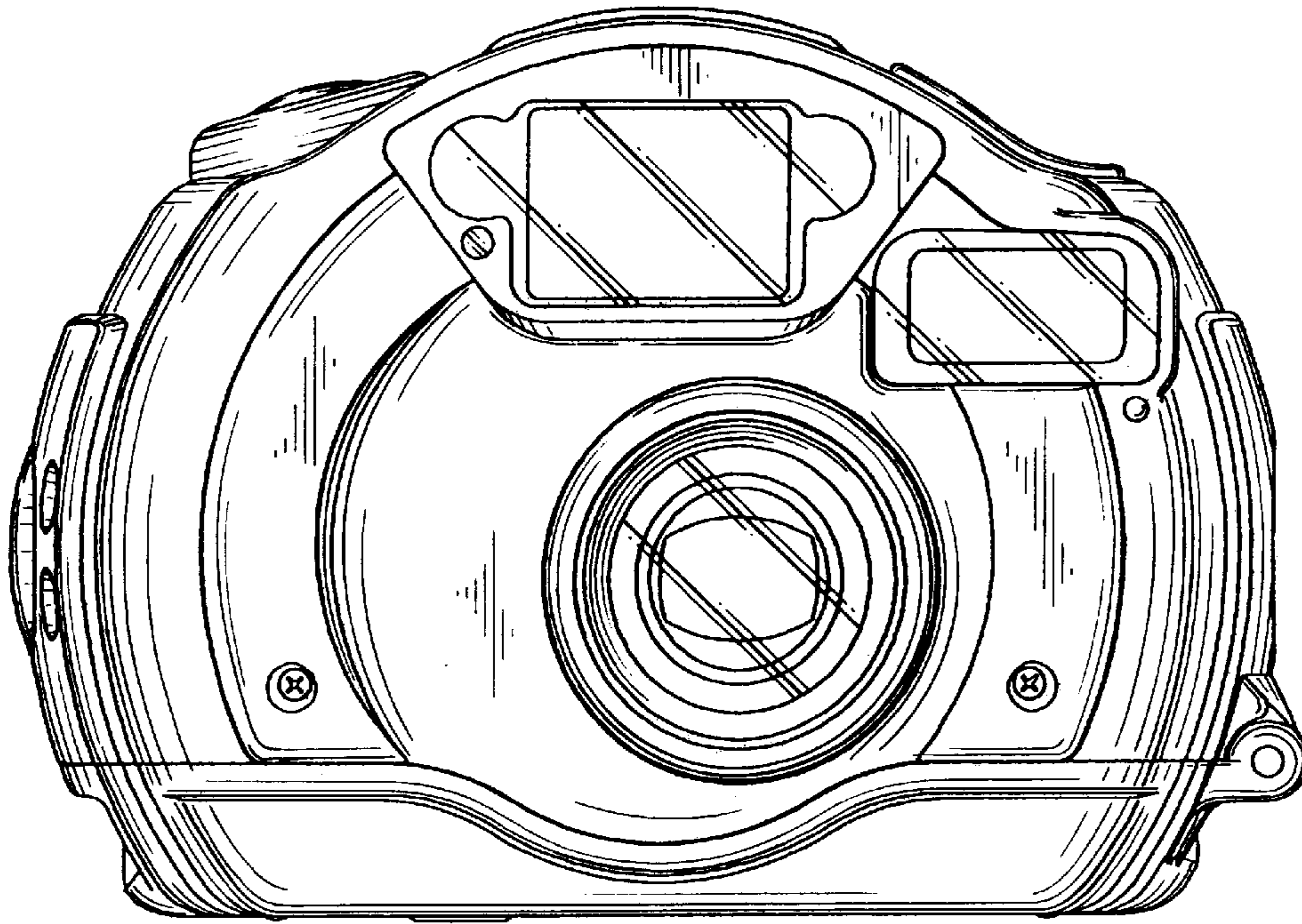


FIG. 2

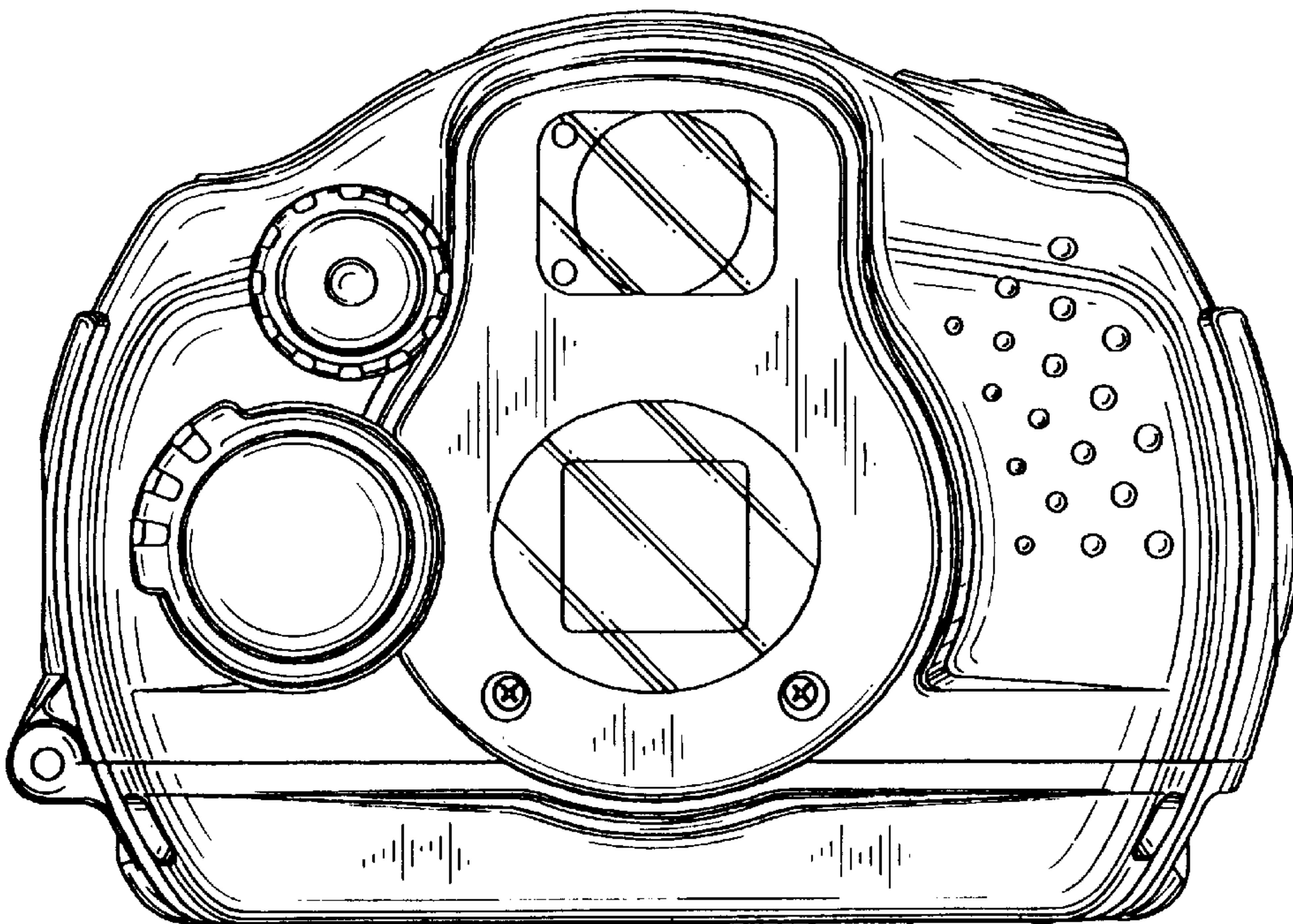


FIG. 3

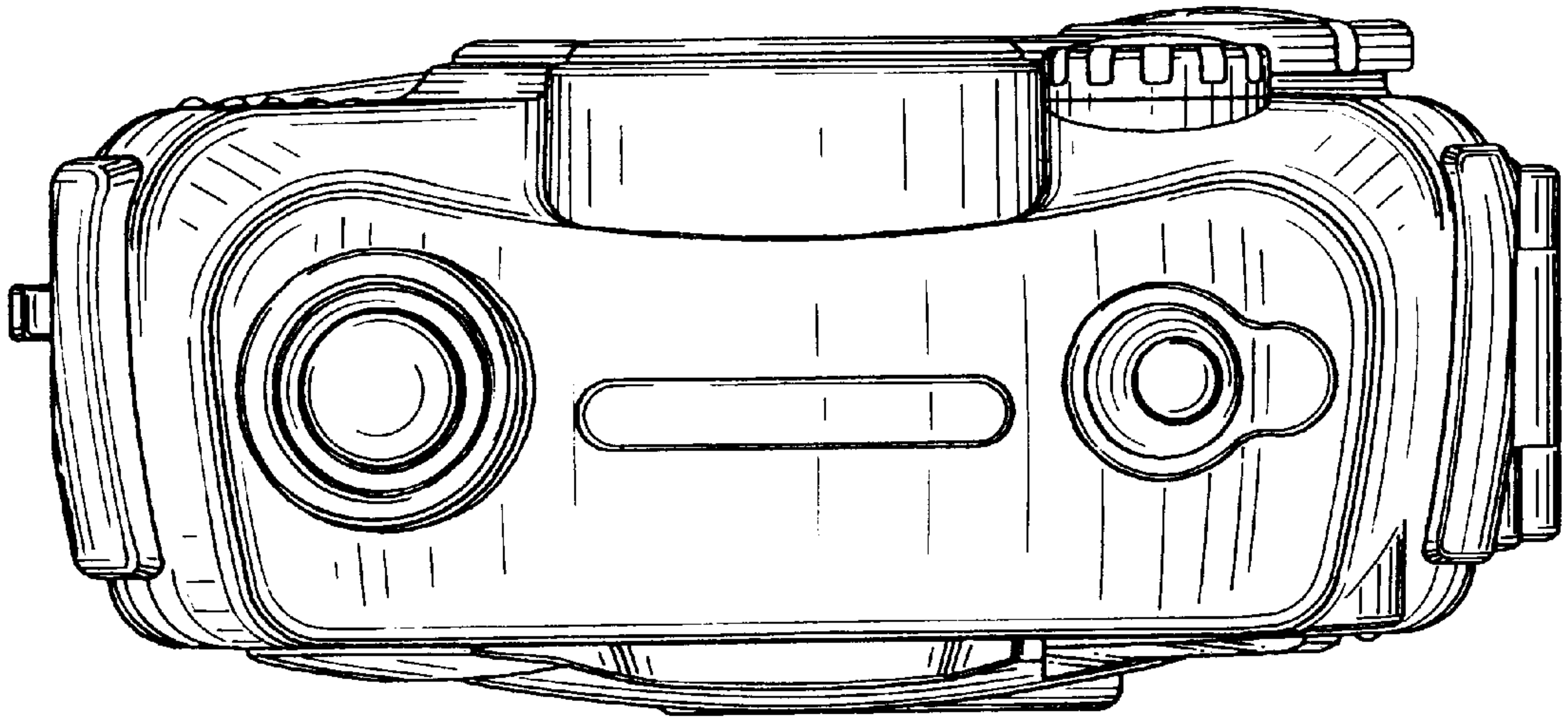


FIG. 4

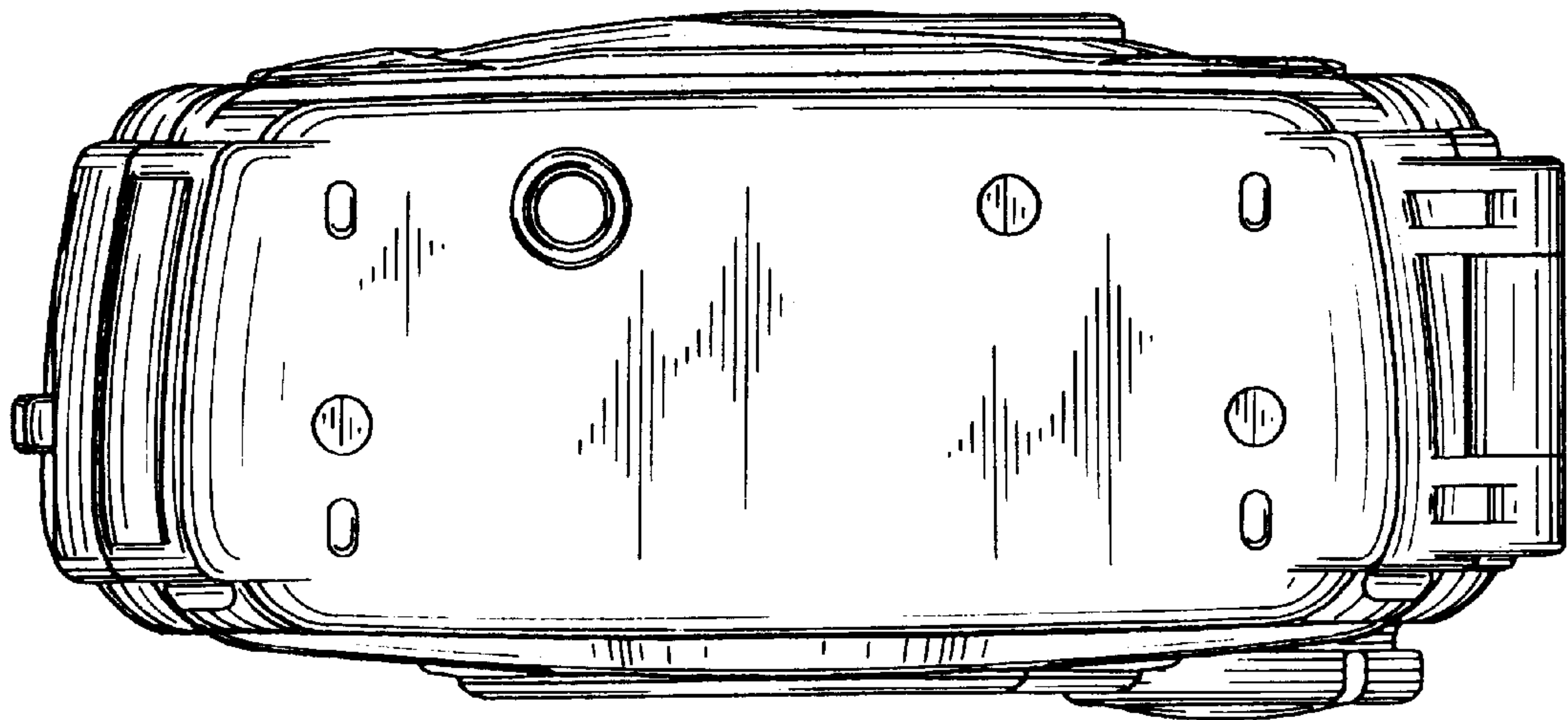


FIG. 5

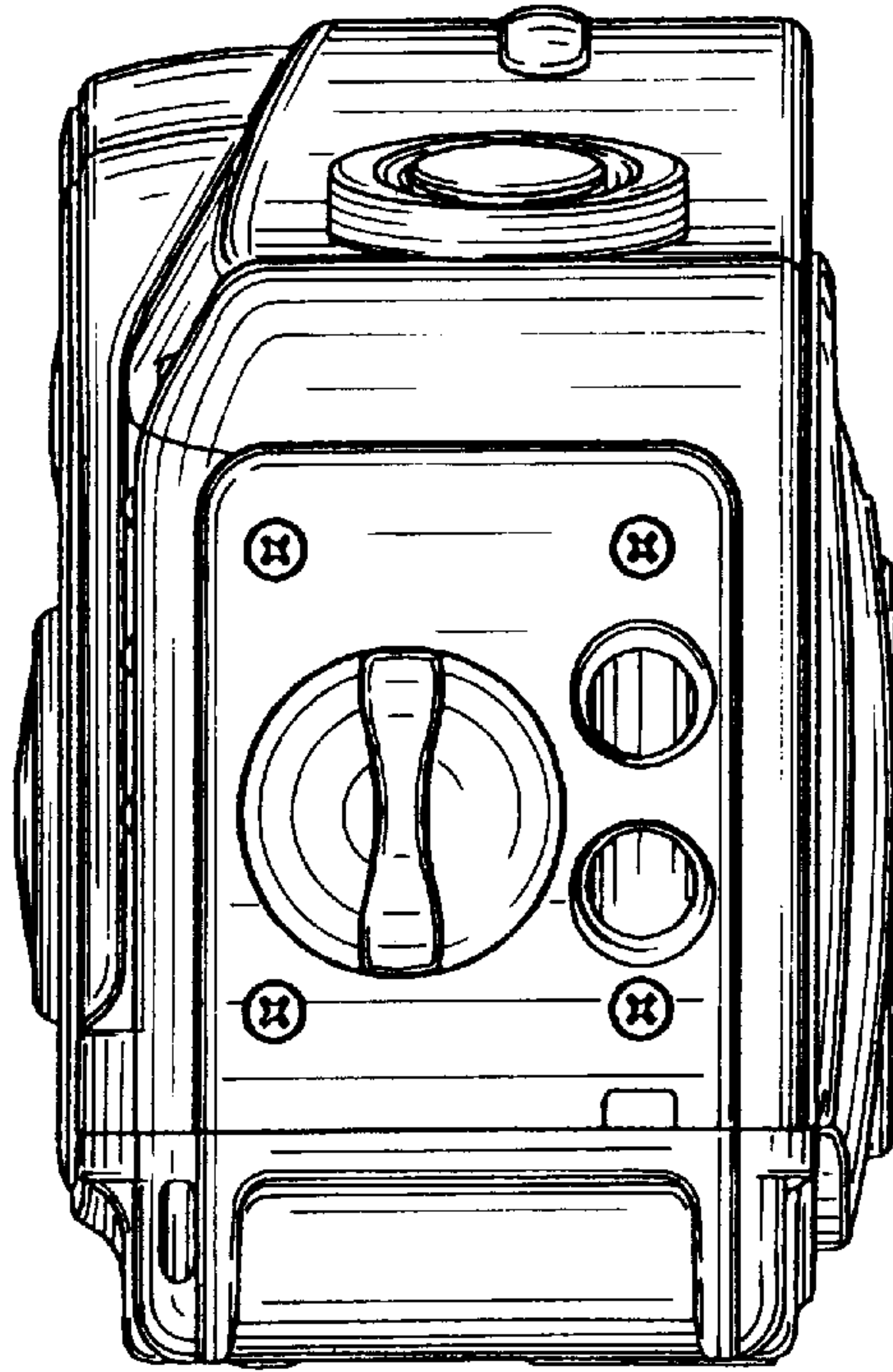


FIG. 6

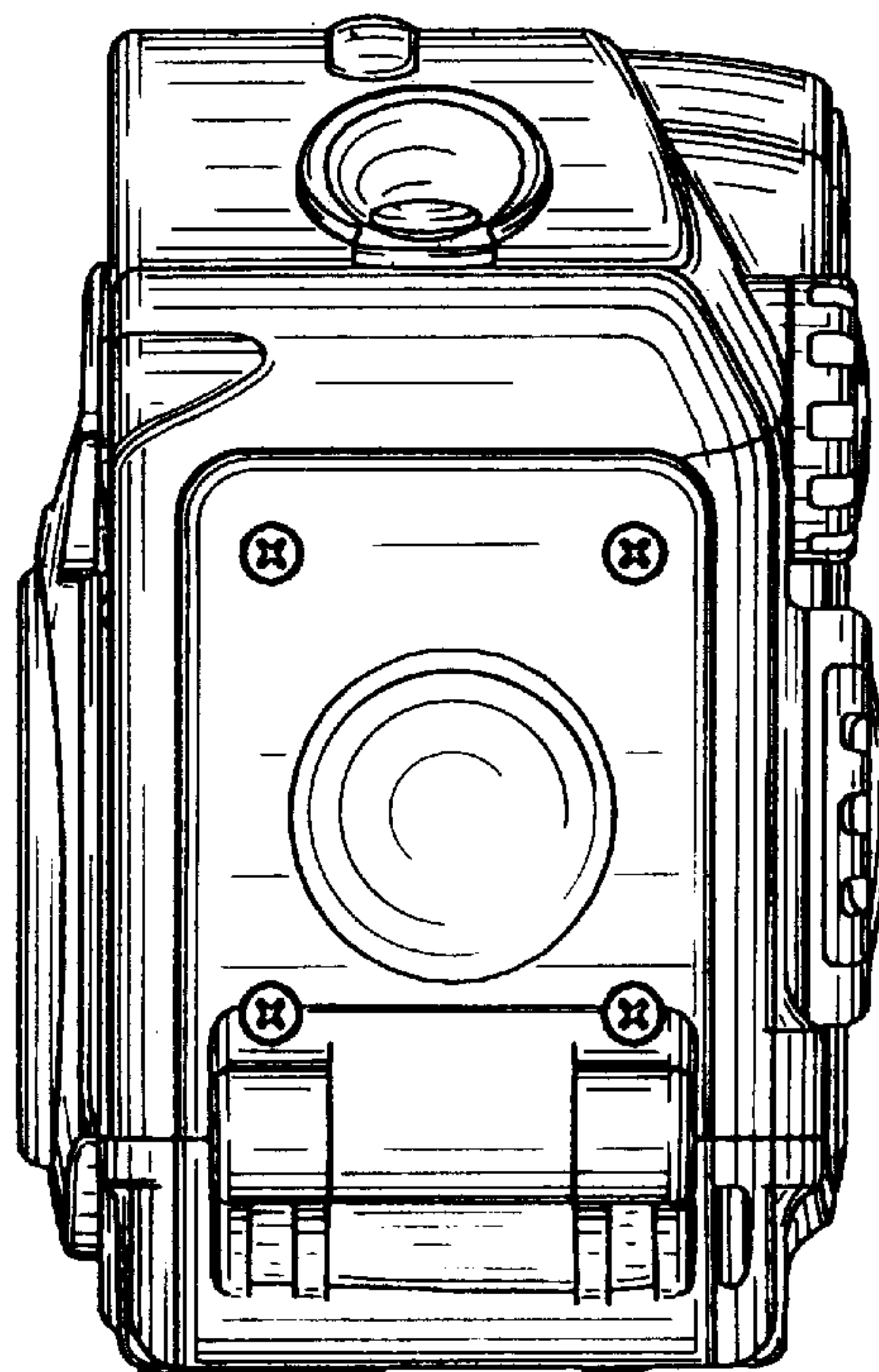


FIG. 7

