



US00D438226S

(12) **United States Design Patent**
Owada

(10) **Patent No.:** **US D438,226 S**

(45) **Date of Patent:** **** Feb. 27, 2001**

(54) **VIDEO CAMERA WITH VIDEO TAPE RECORDER**

D. 408,044 * 4/1999 Tanaka et al. D16/202
5,946,404 * 8/1999 Bakshi et al. 348/151

(75) Inventor: **Masahito Owada**, Yokohama (JP)

FOREIGN PATENT DOCUMENTS

(73) Assignee: **Canon Kabushiki Kaisha**, Tokyo (JP)

08205003 * 8/1996 (JP) H04N/5/225

(**) Term: **14 Years**

* cited by examiner

(21) Appl. No.: **29/125,182**

Primary Examiner—Adir Aronovich

(22) Filed: **Jun. 20, 2000**

(74) *Attorney, Agent, or Firm*—Fitzpatrick, Cella, Harper & Scinto

(30) **Foreign Application Priority Data**

Dec. 27, 1999 (JP) 11-36155

(57) **CLAIM**

The ornamental design for a video camera with video tape recorder, as shown and described.

(51) **LOC (7) Cl.** **16-01**

DESCRIPTION

(52) **U.S. Cl.** **D16/202**

(58) **Field of Search** D16/200-205,
D16/208; 348/373-376, 151; 352/242, 243;
358/906, 909, 1; 396/535-541

FIG. 1 is a front view of a video camera with video tape recorder showing my new design;
FIG. 2 is a rear view thereof;
FIG. 3 is a top plan view thereof;
FIG. 4 is a bottom plan view thereof;
FIG. 5 is a left side view thereof;
FIG. 6 is a right side view thereof; and,
FIG. 7 is a perspective view thereof.

(56) **References Cited**

U.S. PATENT DOCUMENTS

D. 361,583 * 8/1995 Mori et al. D16/202
D. 369,819 * 5/1996 Mori D16/202
D. 384,964 * 10/1997 Ito et al. D16/202

1 Claim, 4 Drawing Sheets

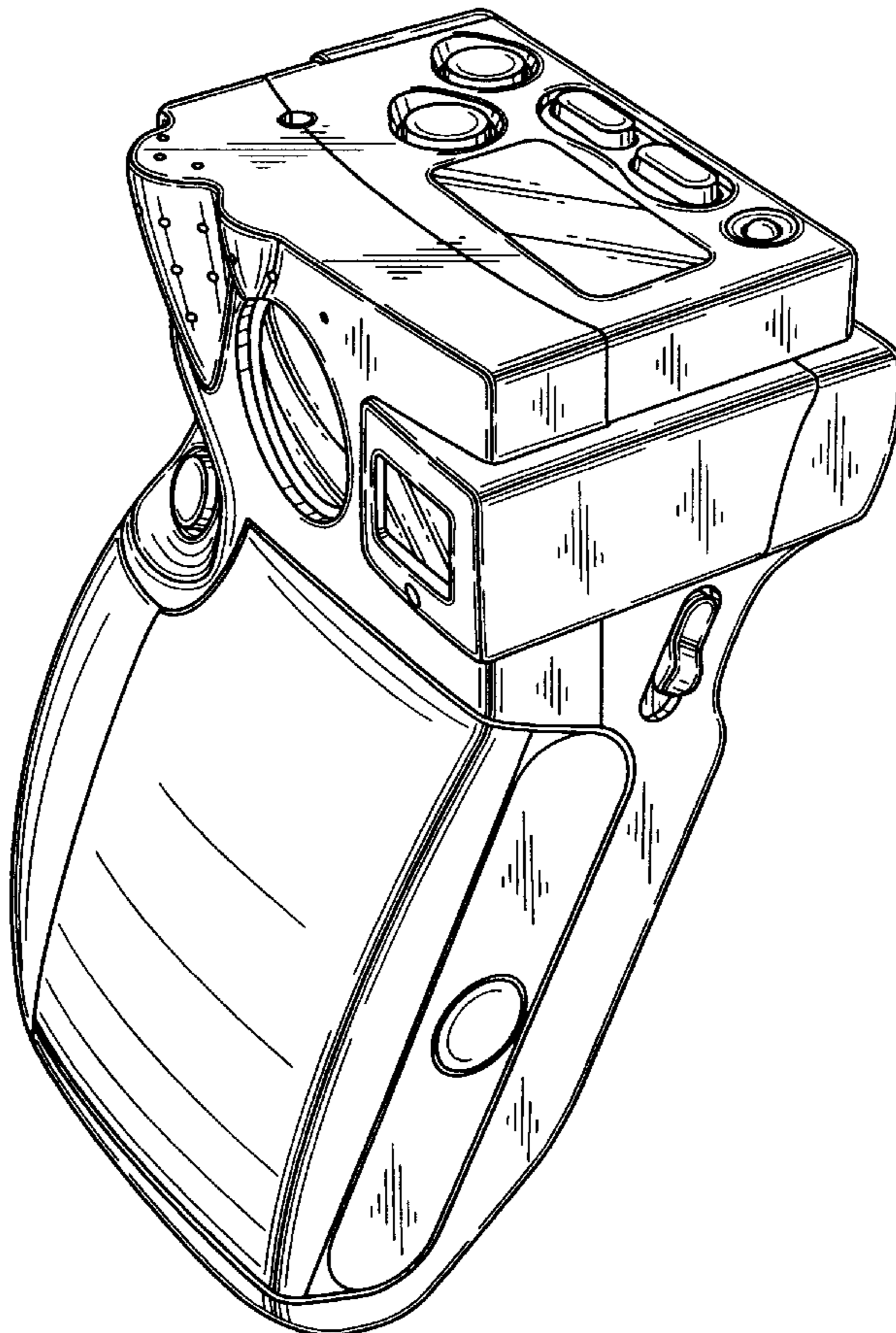


FIG. 2

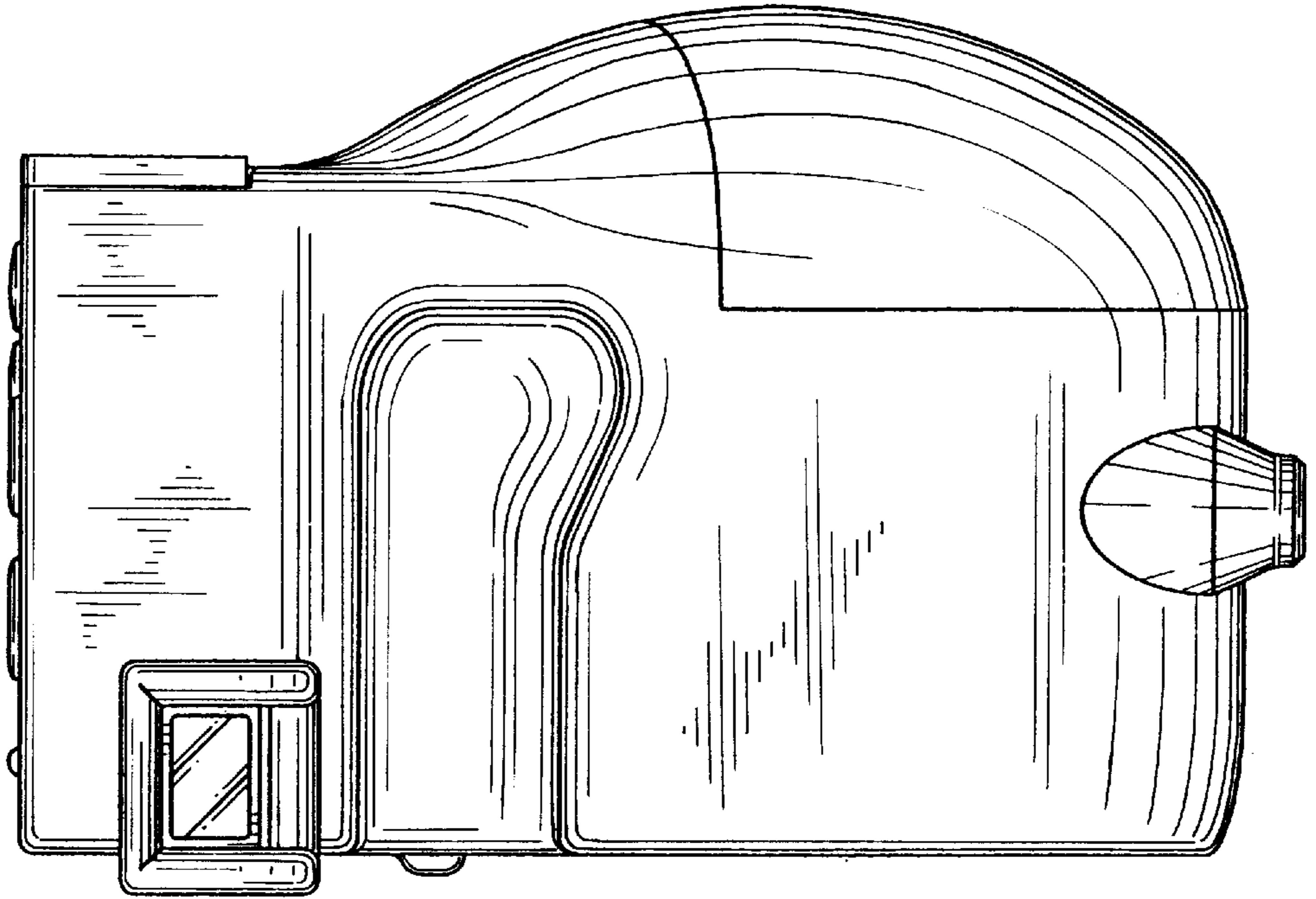


FIG. 1

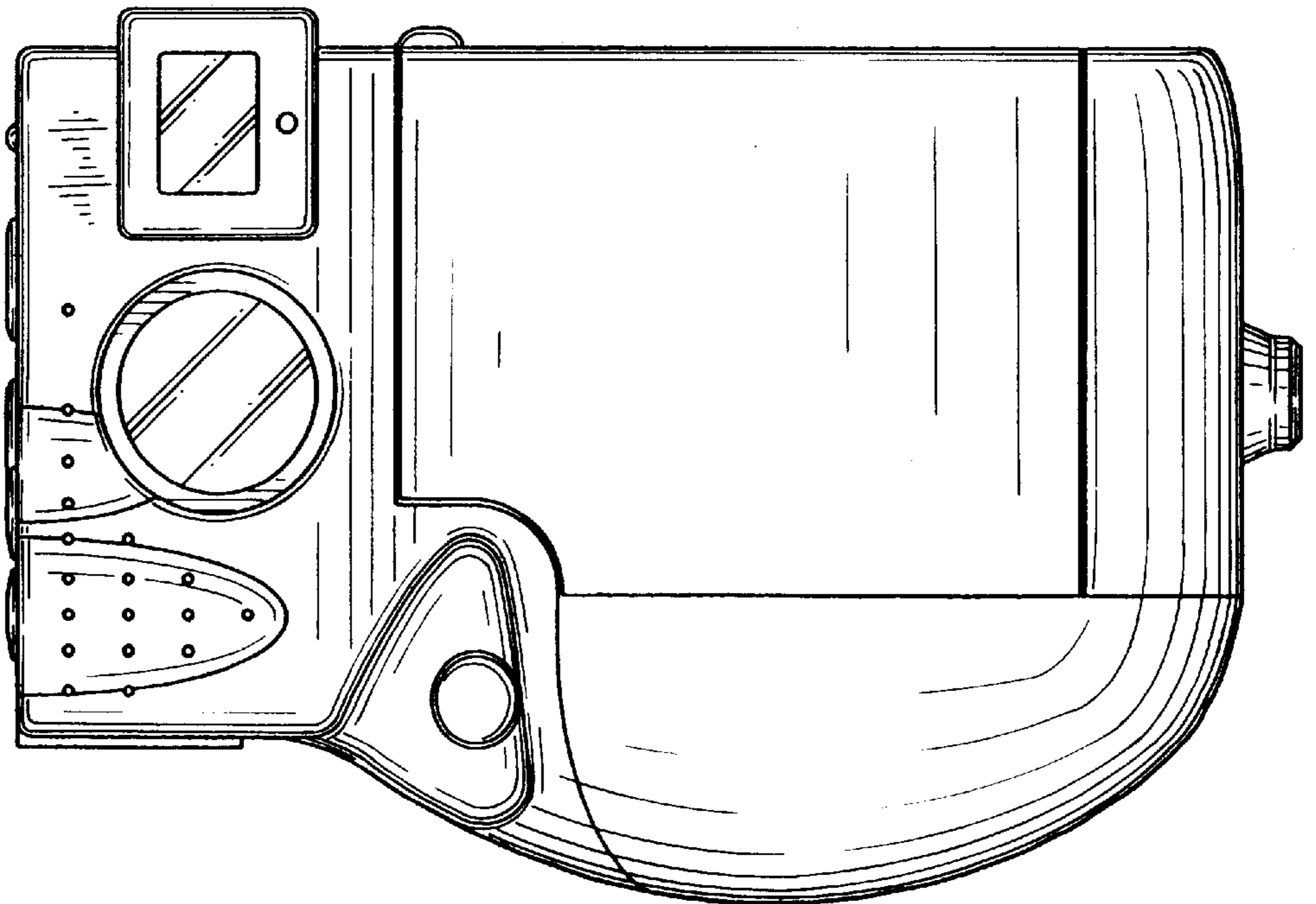


FIG. 3

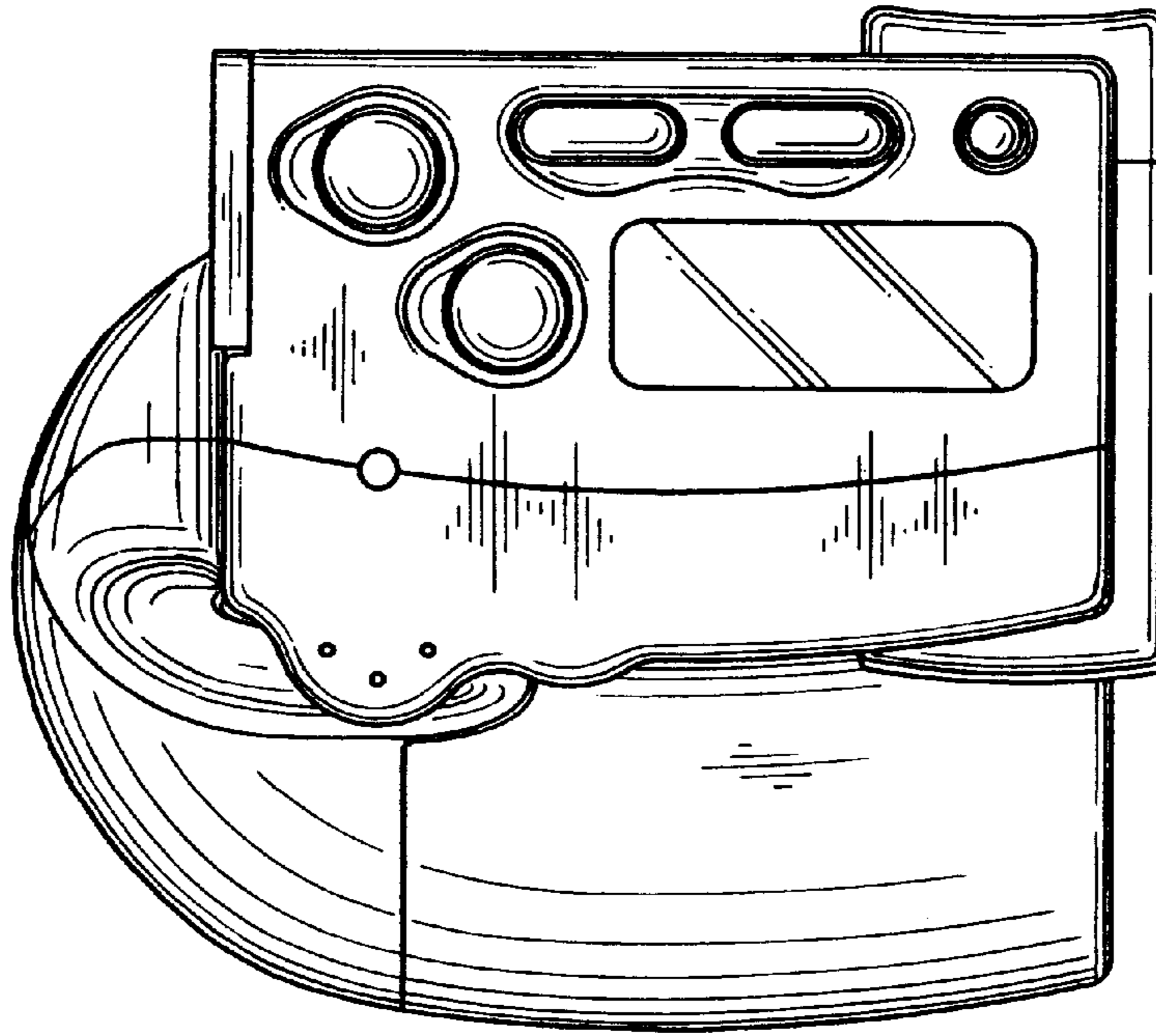


FIG. 4

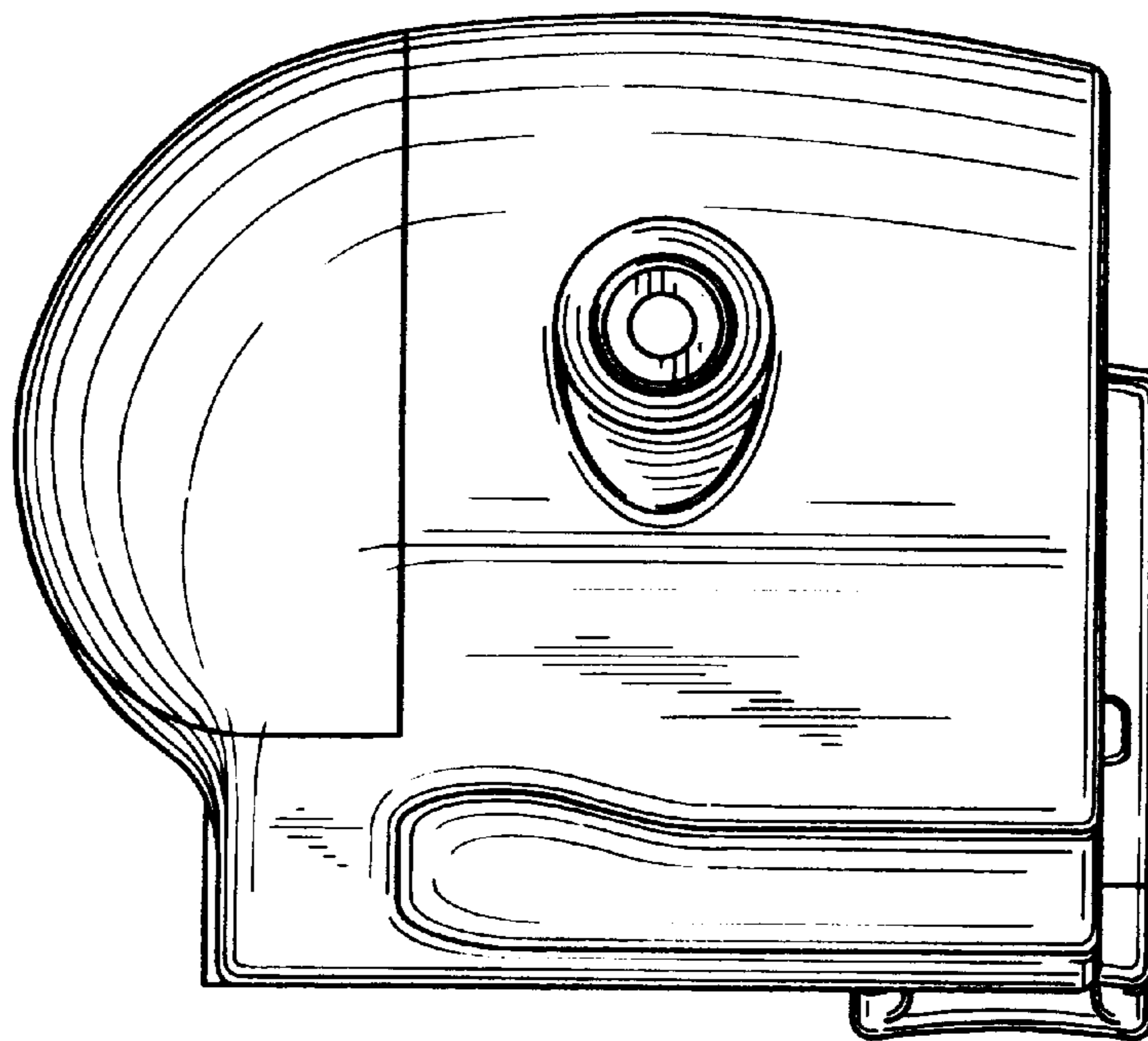


FIG. 6

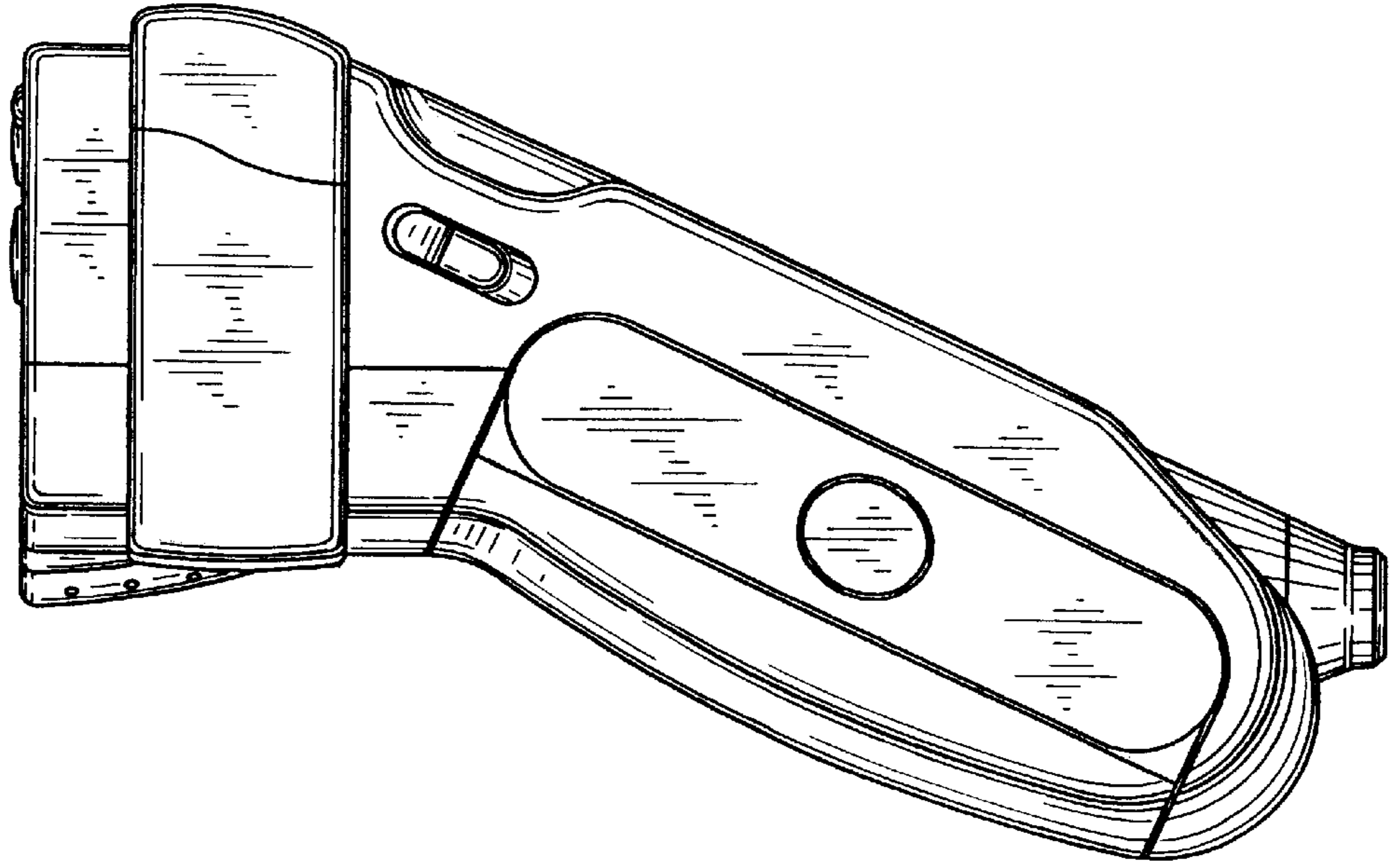


FIG. 5

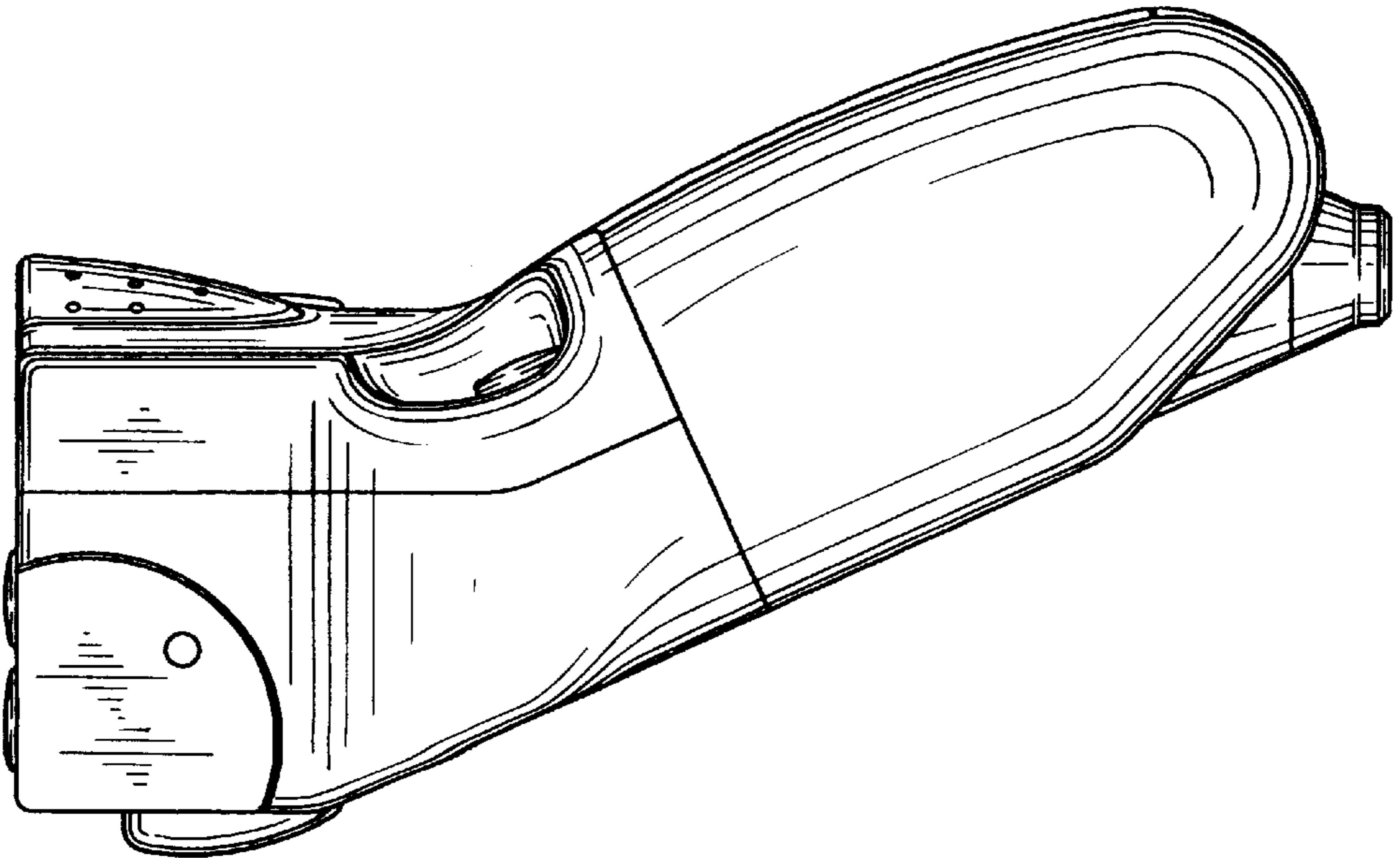


FIG. 7

