



US00D438224S

(12) **United States Design Patent**
Yanagibashi et al.

(10) **Patent No.:** **US D438,224 S**

(45) **Date of Patent:** **** Feb. 27, 2001**

(54) **DIGITAL CAMERA**

(75) Inventors: **Hajime Yanagibashi; Tetsuyuki Hirano**, both of Tokyo (JP)

(73) Assignee: **Eastman Kodak Company**, Rochester, NY (US)

(**) Term: **14 Years**

(21) Appl. No.: **29/117,794**

(22) Filed: **Jan. 31, 2000**

(51) **LOC (7) Cl.** **16-01**

(52) **U.S. Cl.** **D16/202; D16/209**

(58) **Field of Search** **D16/200-205, D16/208, 209, 217, 218; 348/373-376; 358/906, 909.1; 396/535-541, 6, 7**

(56) **References Cited**

U.S. PATENT DOCUMENTS

D. 418,851	*	1/2000	Goto et al.	D16/202
D. 424,084	*	5/2000	Senda	D16/202
D. 424,085	*	5/2000	Naito	D16/202
D. 430,187	*	8/2000	Naito	D16/218
5,649,235	*	7/1997	Ando et al.	396/6

* cited by examiner

Primary Examiner—Adir Aronovich

(74) *Attorney, Agent, or Firm*—Pamela R. Crocker

(57) **CLAIM**

We claim the ornamental design for a digital camera, as shown and described.

DESCRIPTION

FIG. 1 is a front, top, right-side perspective of a digital camera according to the present invention with the flash closed and the zoom lens retracted;

FIG. 2 is a back, bottom, left-side perspective thereof with the flash closed and the zoom lens retracted;

FIG. 3 is a front view thereof with the flash closed and the zoom lens retracted;

FIG. 4 is a rear view thereof with the flash closed and the zoom lens retracted;

FIG. 5 is a top view thereof with the flash closed and the zoom lens retracted;

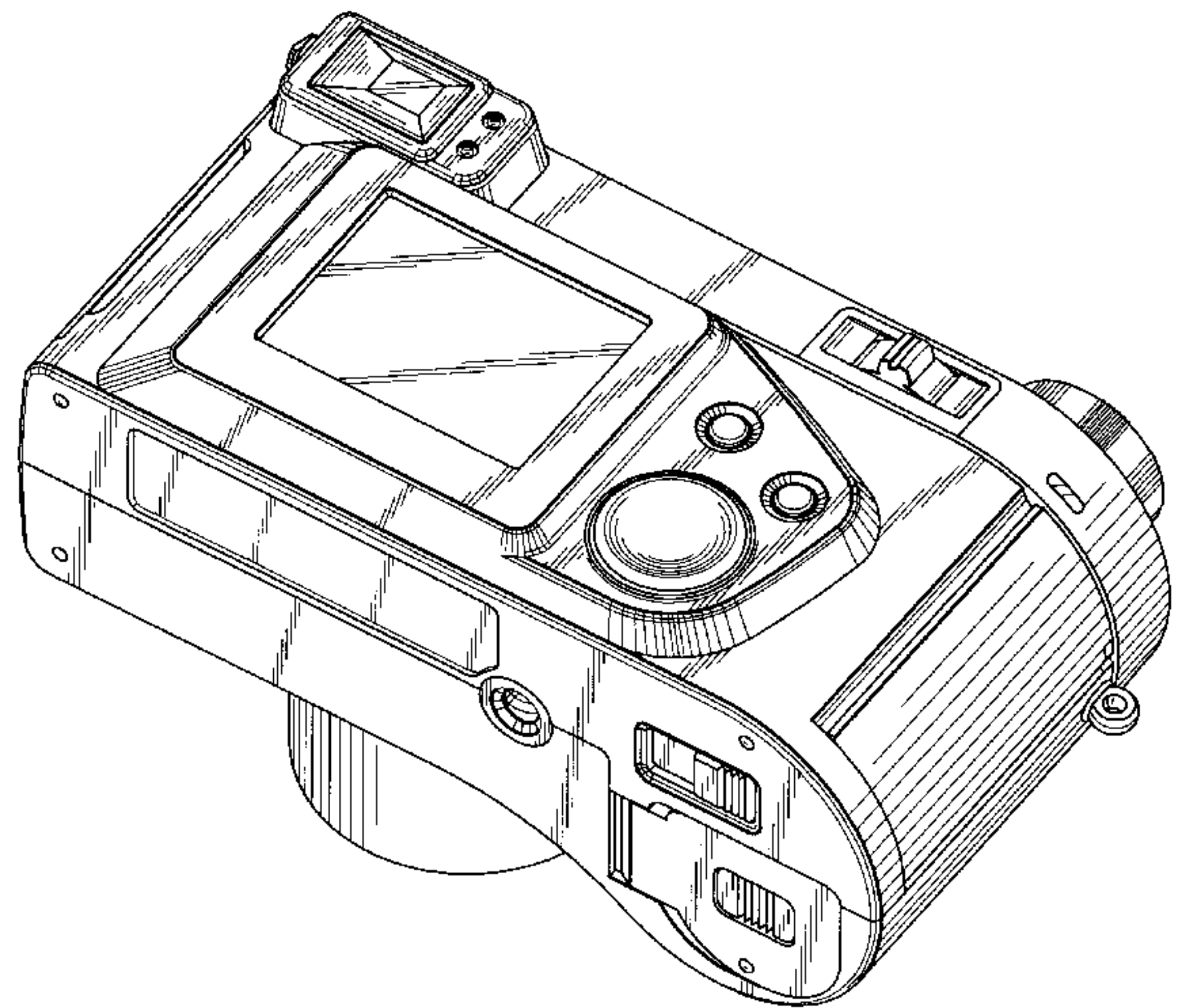
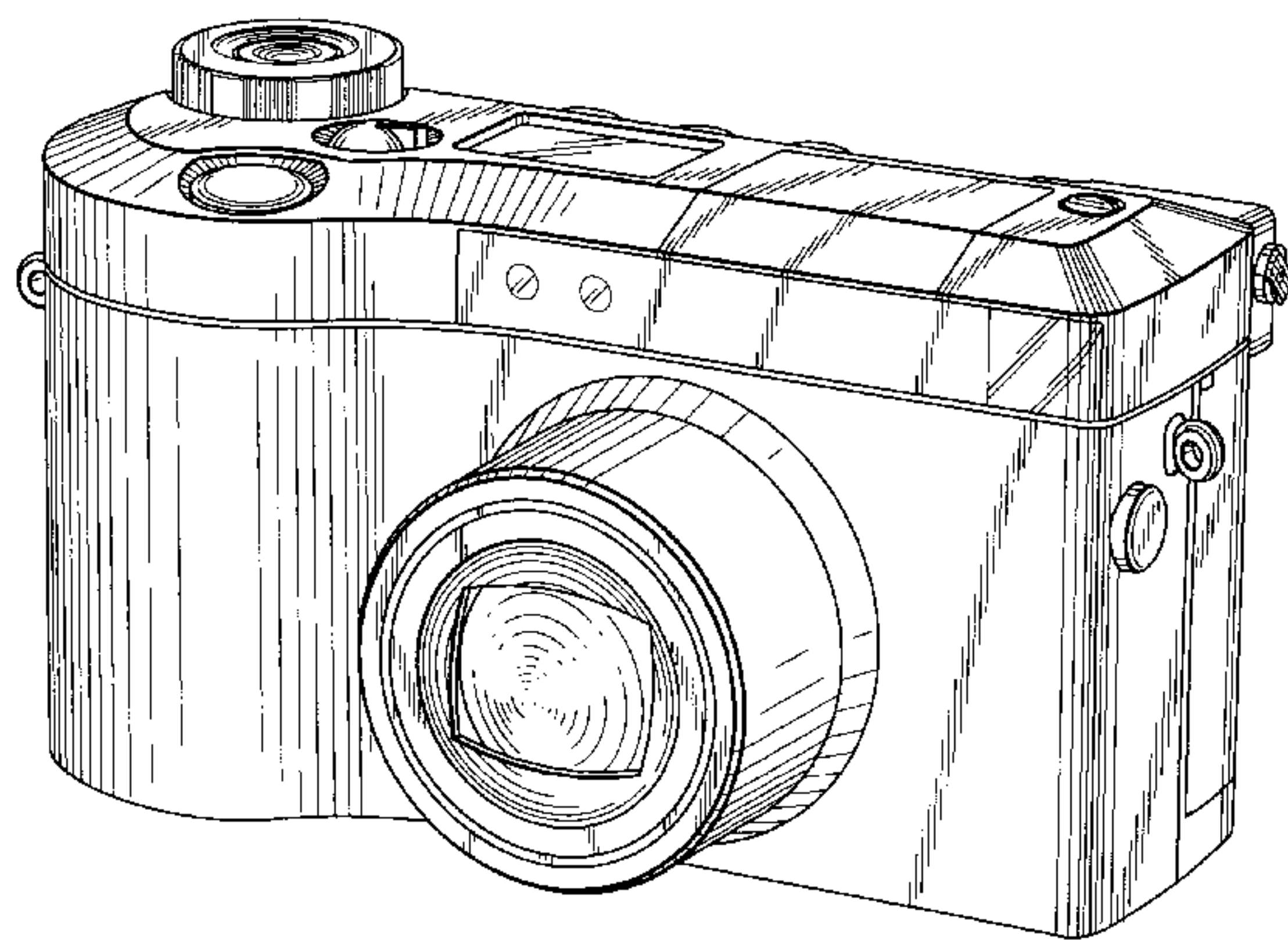
FIG. 6 is a bottom view thereof with the flash closed and the zoom lens retracted;

FIG. 7 is a right-side view thereof with the flash closed and the zoom lens retracted;

FIG. 8 is a left-side view thereof with the flash closed and the zoom lens retracted; and,

FIG. 9 is a front, top, right-side perspective thereof with the flash open and the zoom lens extended.

1 Claim, 9 Drawing Sheets



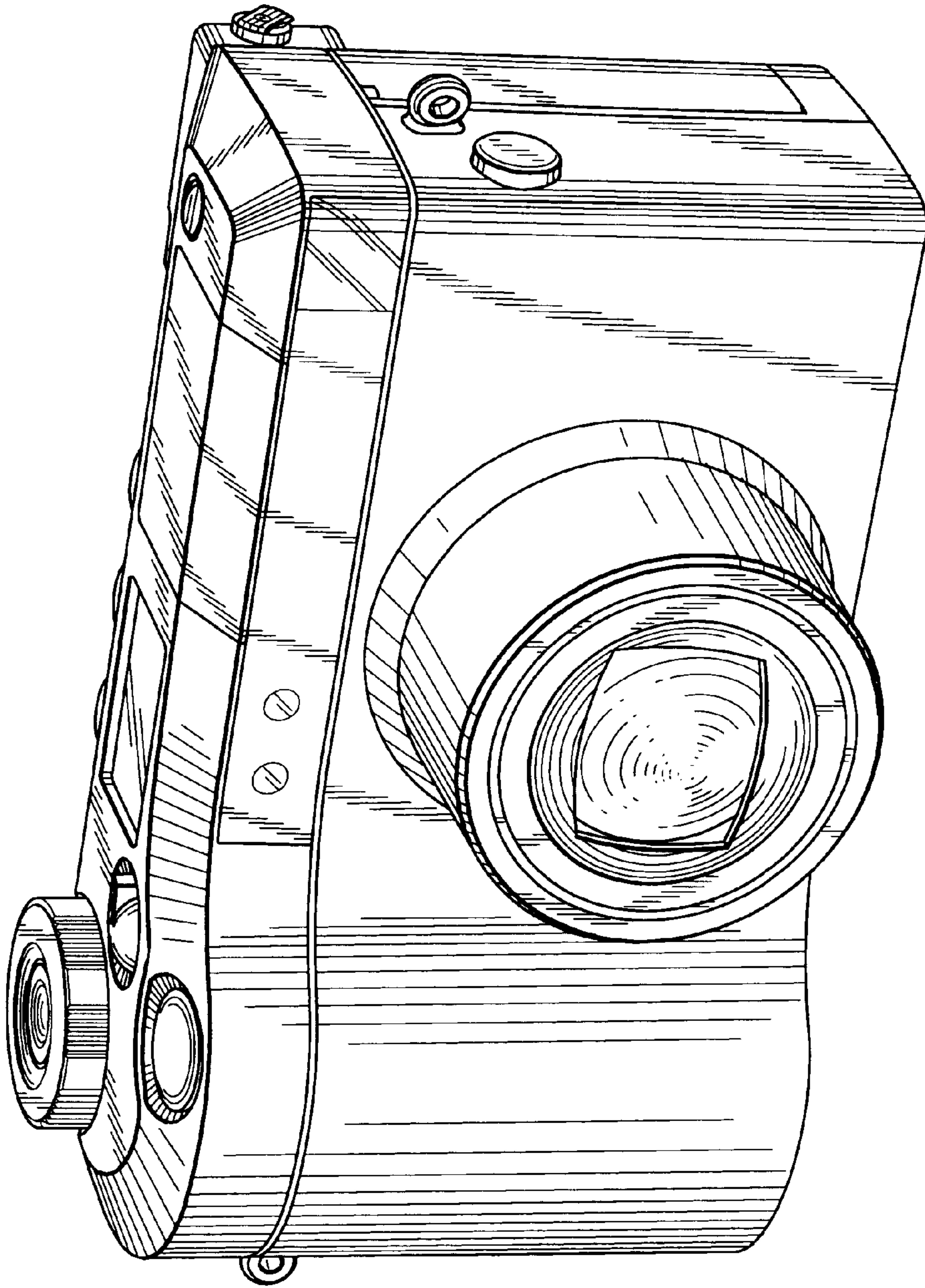


FIG. 1

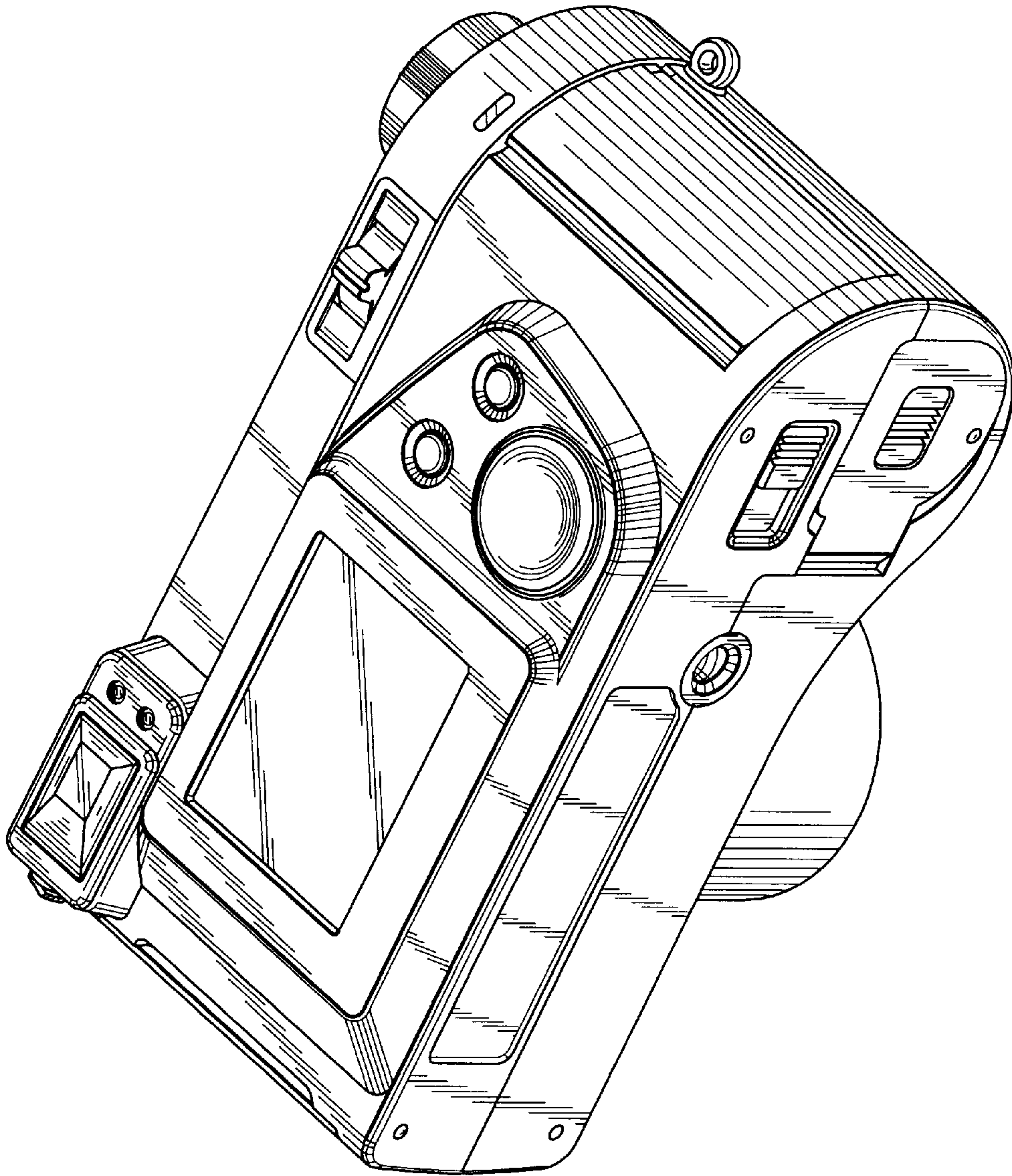


FIG. 2

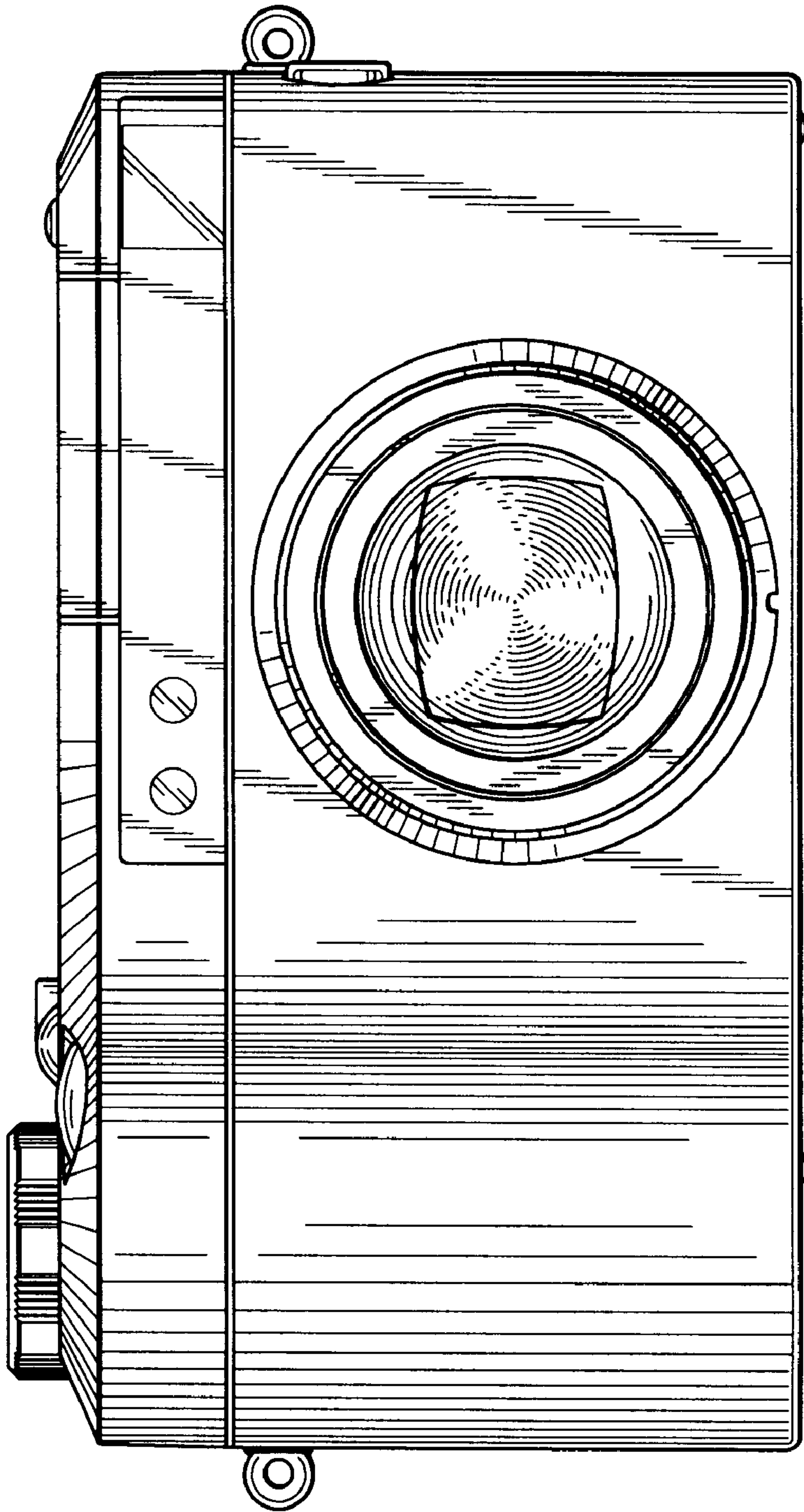


FIG. 3

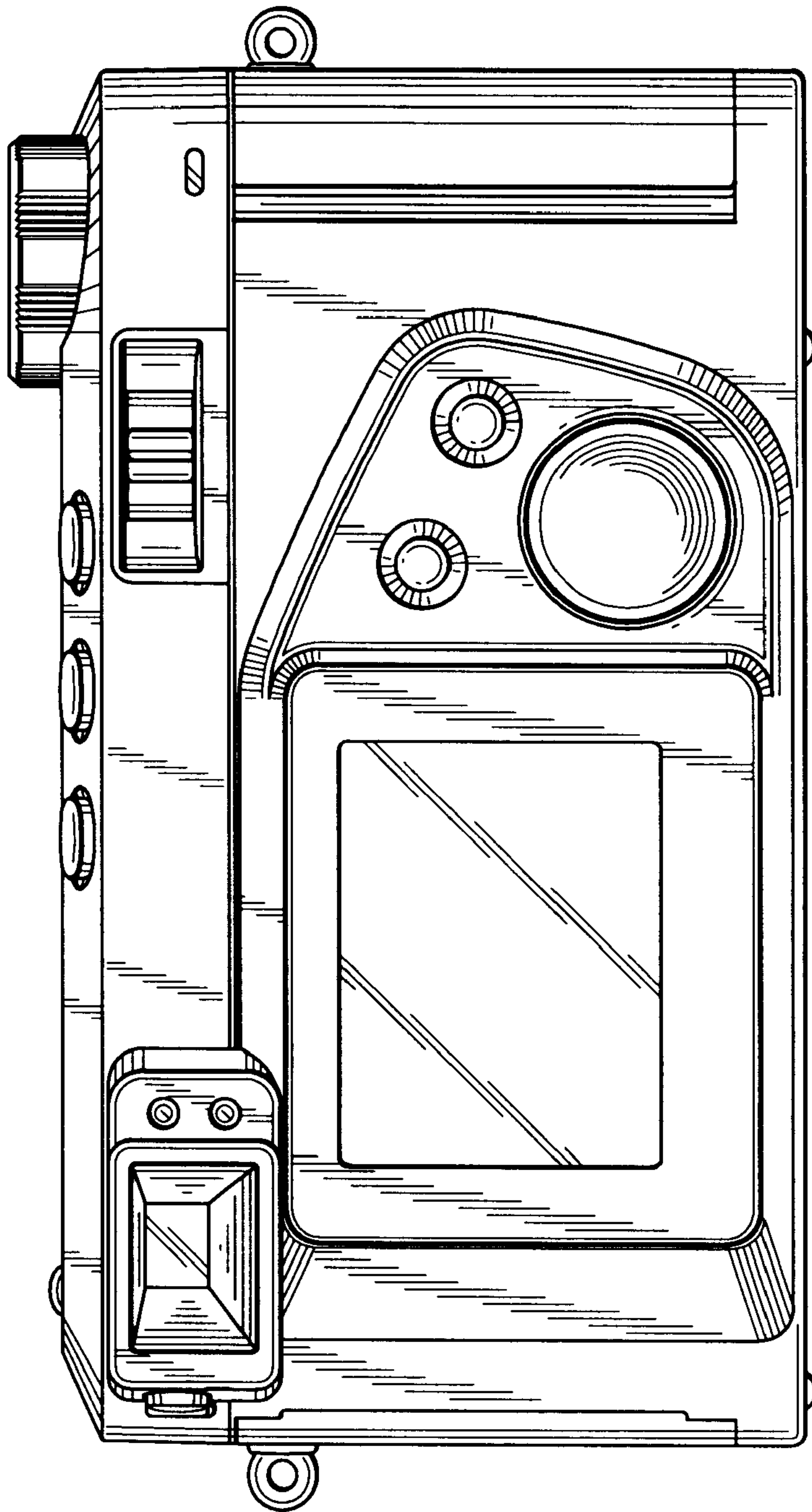


FIG. 4

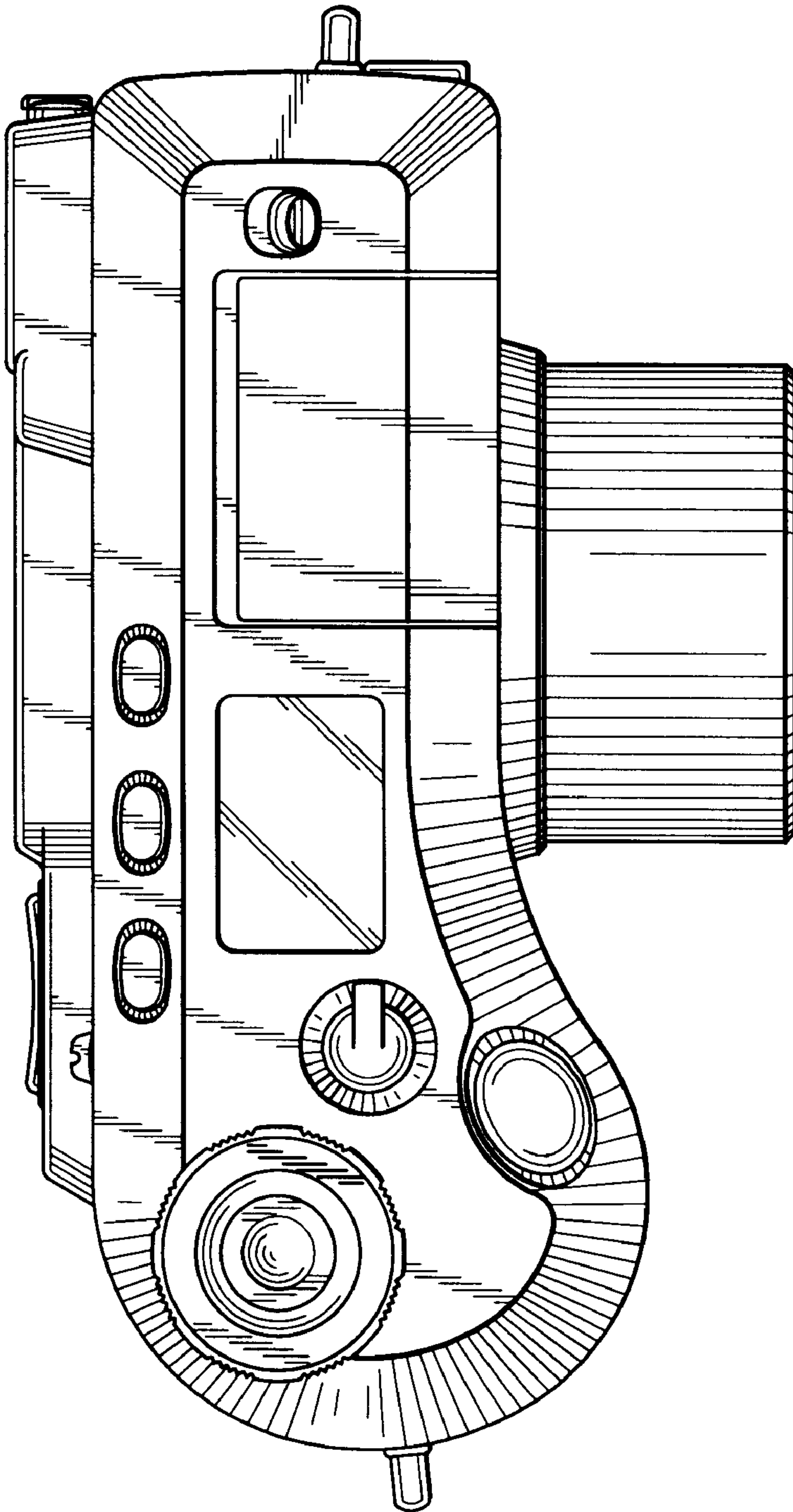


FIG. 5

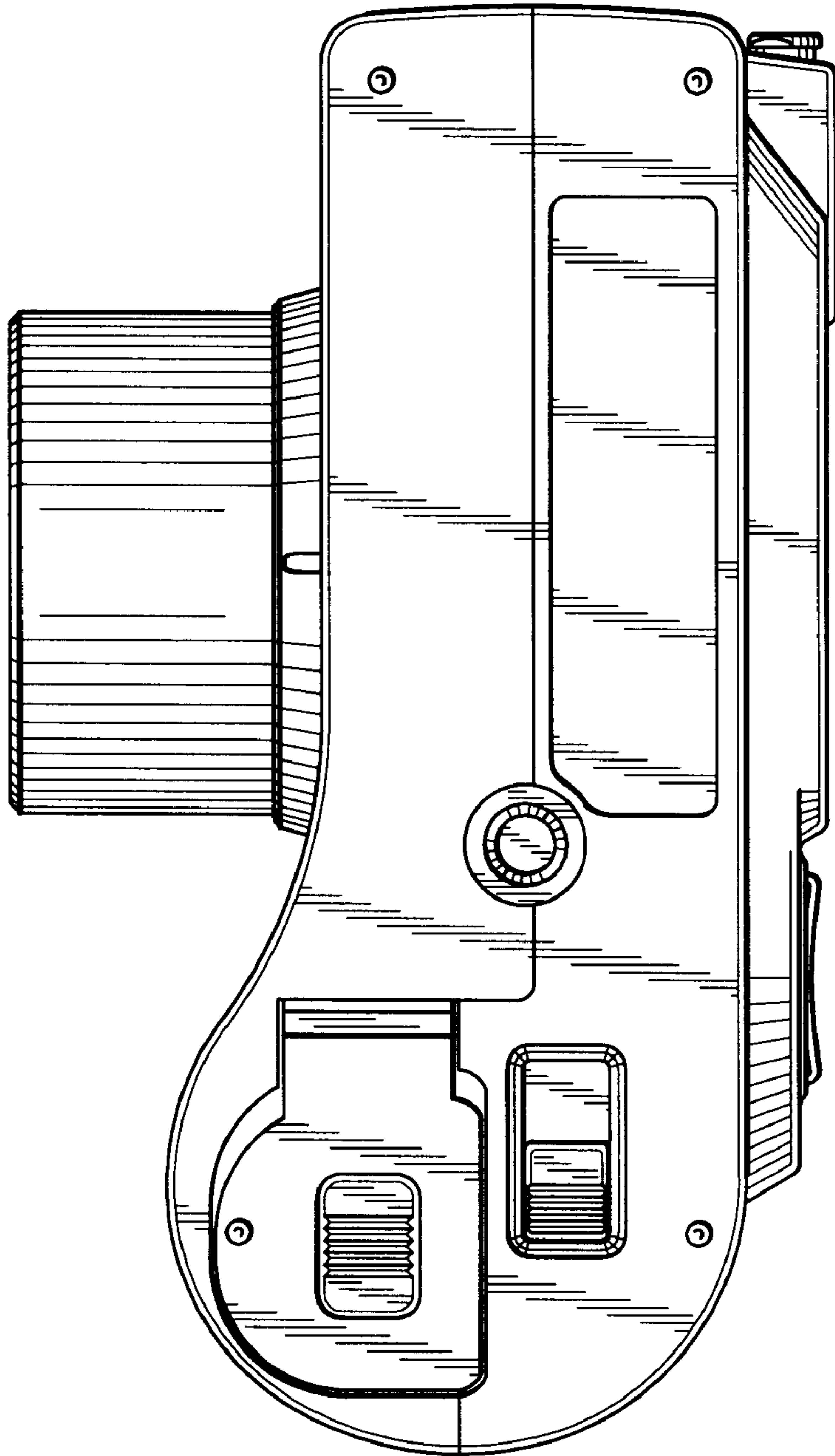


FIG. 6

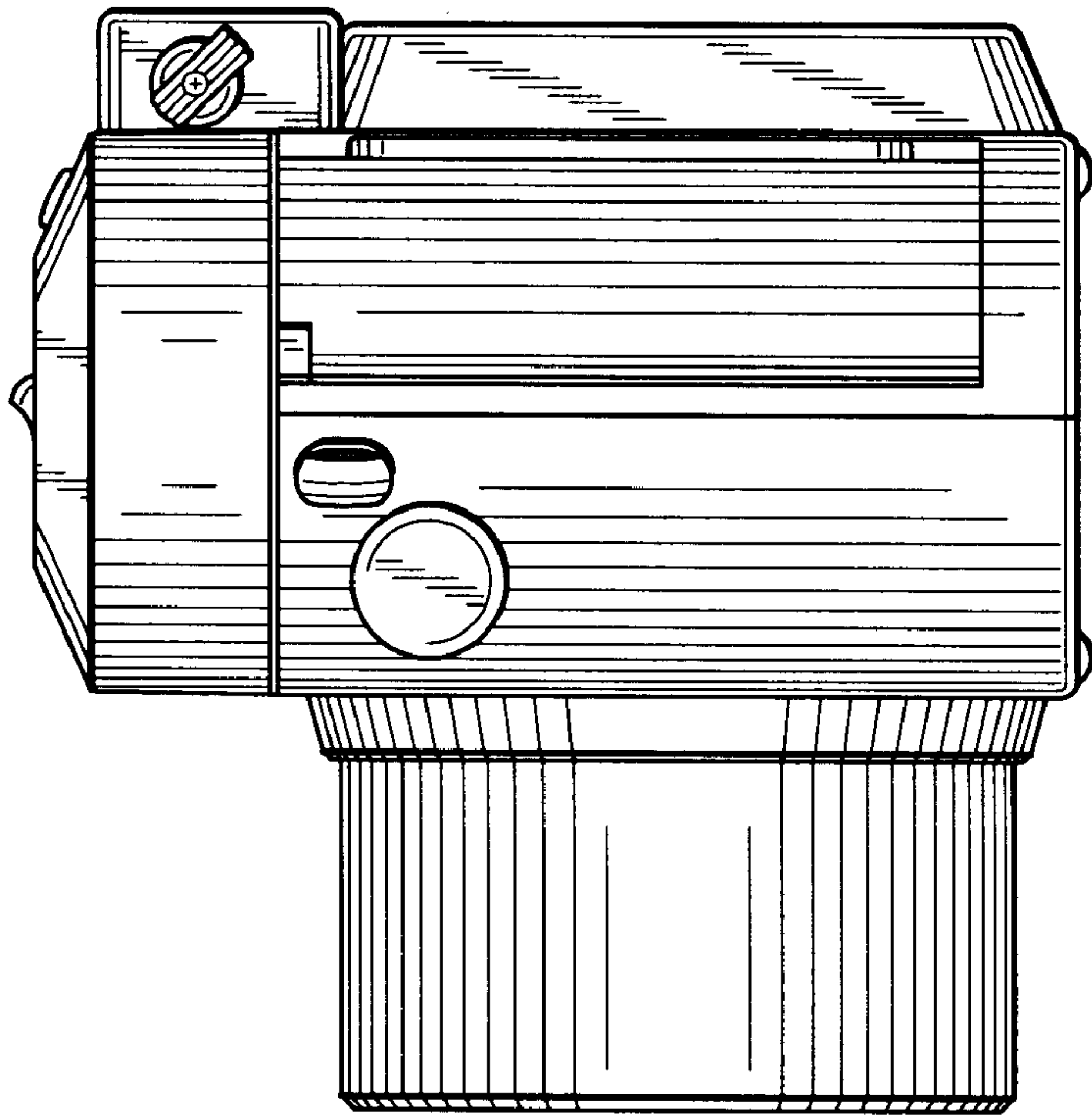


FIG. 7

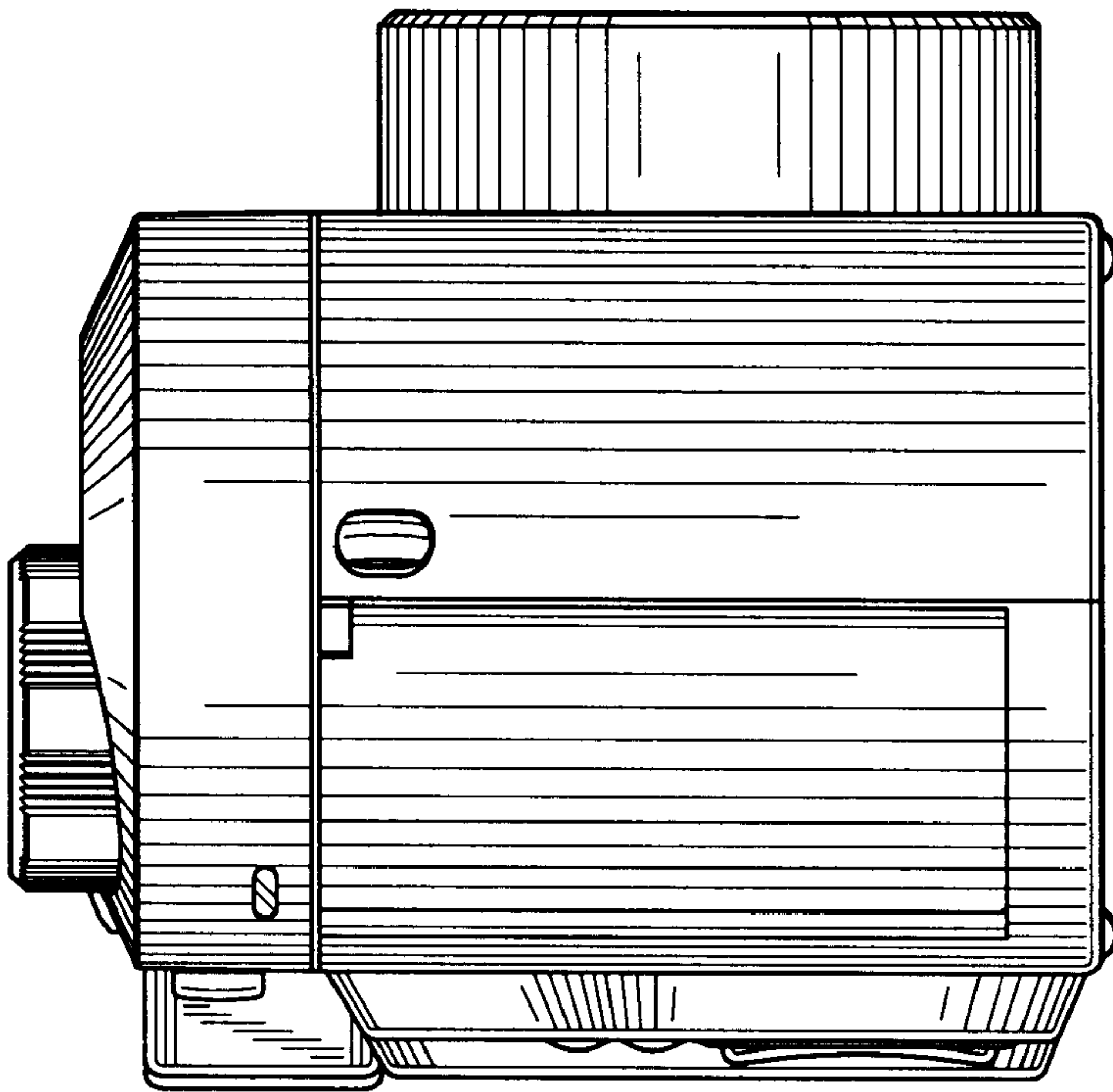


FIG. 8

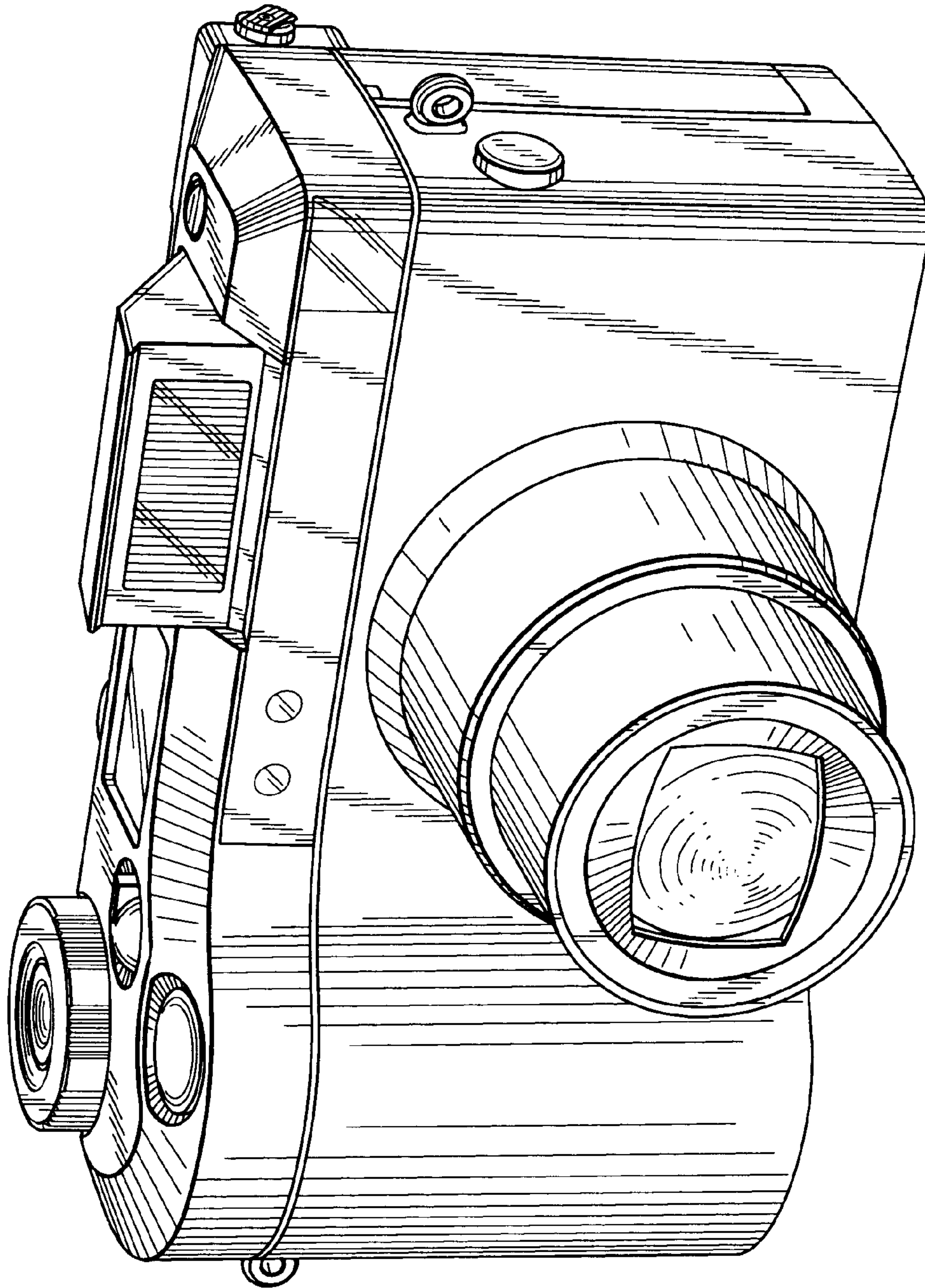


FIG. 9