



US00D438223S

(12) **United States Design Patent**
Kawashima

(10) **Patent No.:** **US D438,223 S**

(45) **Date of Patent:** **** Feb. 27, 2001**

(54) **IMAGE INPUT DEVICE**

(75) Inventor: **Shosaku Kawashima**, Yokohama (JP)

(73) Assignee: **Canon Kabushiki Kaisha**, Tokyo (JP)

(*) Notice: This patent is subject to a terminal disclaimer.

(**) Term: **14 Years**

(21) Appl. No.: **29/117,407**

(22) Filed: **Jan. 27, 2000**

(30) **Foreign Application Priority Data**

Jul. 28, 1999 (JP) 11-20203

(51) **LOC (7) Cl.** **16-01**

(52) **U.S. Cl.** **D16/202**

(58) **Field of Search** D16/200-205,
D16/208; D14/107, 130; 348/14-20, 373-376;
358/909.1; 396/419, 535-541

(56) **References Cited**

U.S. PATENT DOCUMENTS

- D. 364,632 * 11/1995 Nakashima et al. D16/202
- D. 367,488 * 2/1996 Takano et al. D16/202
- D. 386,505 * 11/1997 Maeyama D16/202
- D. 396,869 * 8/1998 Yamakawa et al. D16/202

- D. 400,549 * 11/1998 Wakefield D16/202
- 5,633,681 * 5/1997 Baxter et al. 348/373

FOREIGN PATENT DOCUMENTS

- 08102882 * 4/1996 (JP) H04N/5/225

OTHER PUBLICATIONS

Harris Corporation Catalog, 1990 (cover page).*

* cited by examiner

Primary Examiner—Adir Aronovich

(74) *Attorney, Agent, or Firm*—Fitzpatrick, Cella, Harper & Scinto

(57) **CLAIM**

The ornamental design for an image input device, as shown and described.

DESCRIPTION

FIG. 1 is a front view of an image input device showing my new design;
 FIG. 2 is a rear view thereof;
 FIG. 3 is a top plan view thereof;
 FIG. 4 is a bottom plan view thereof;
 FIG. 5 is a left side view thereof;
 FIG. 6 is a right side view thereof; and,
 FIG. 7 is a perspective view thereof.

1 Claim, 4 Drawing Sheets

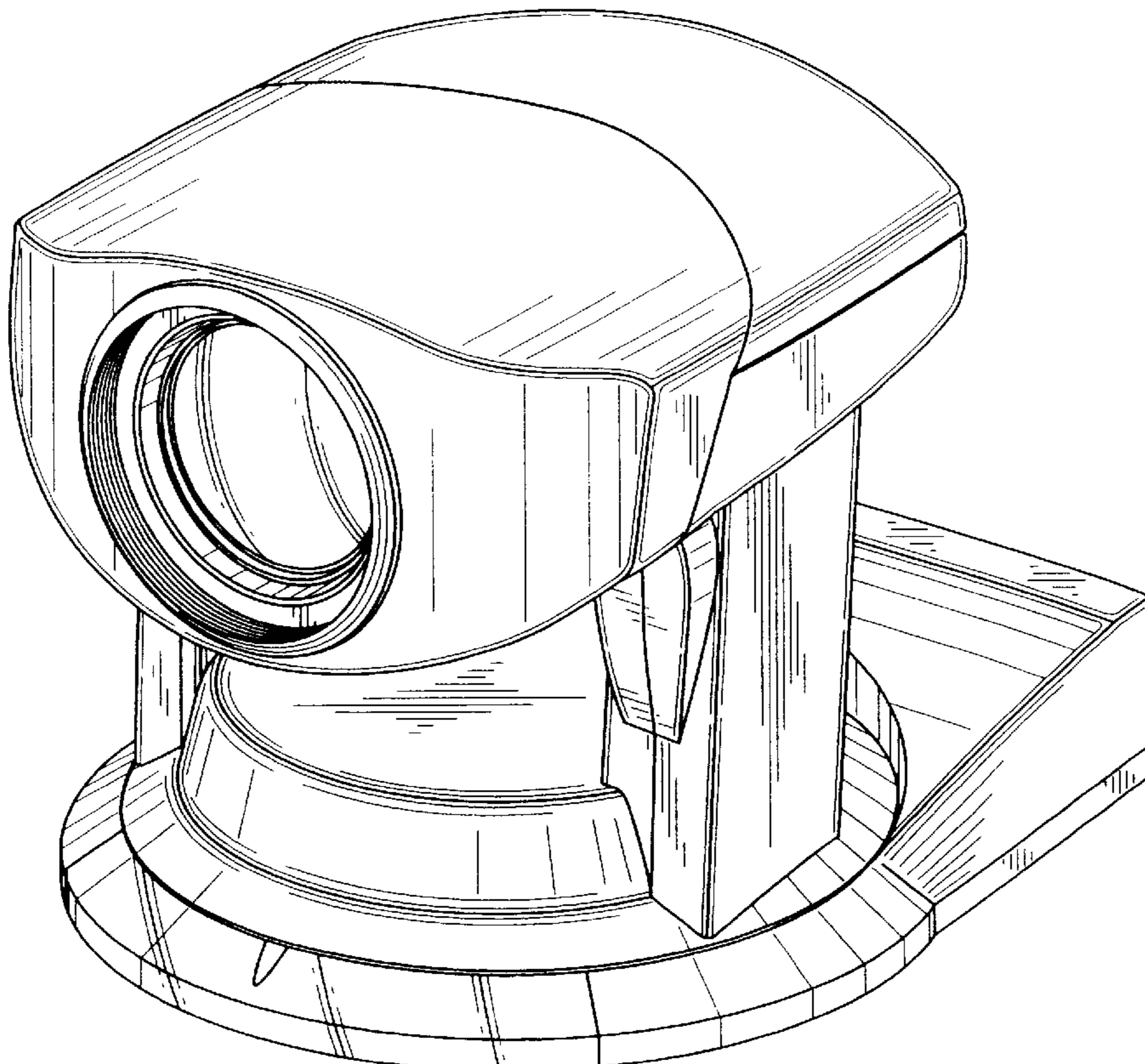


FIG. 1

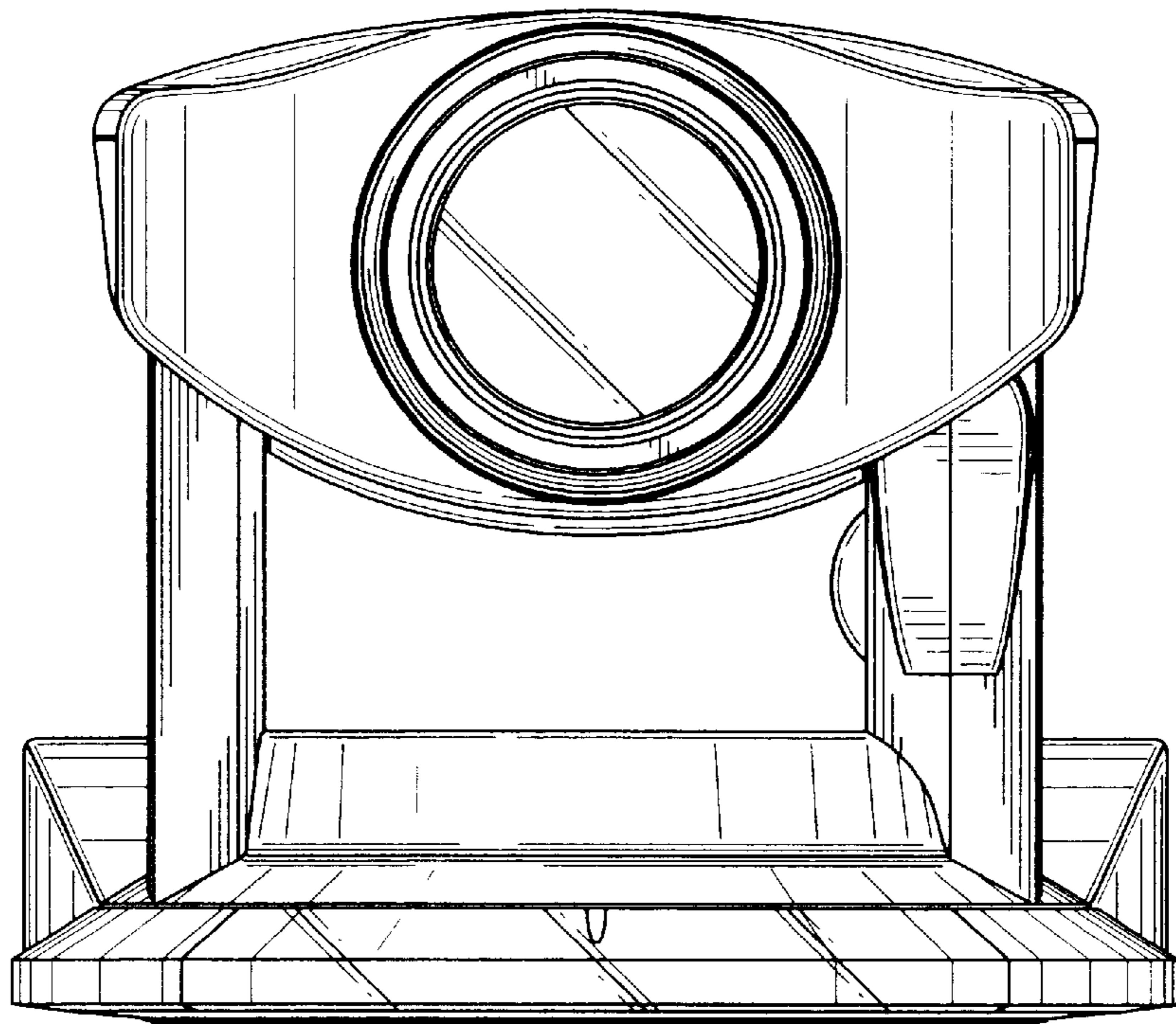


FIG. 2

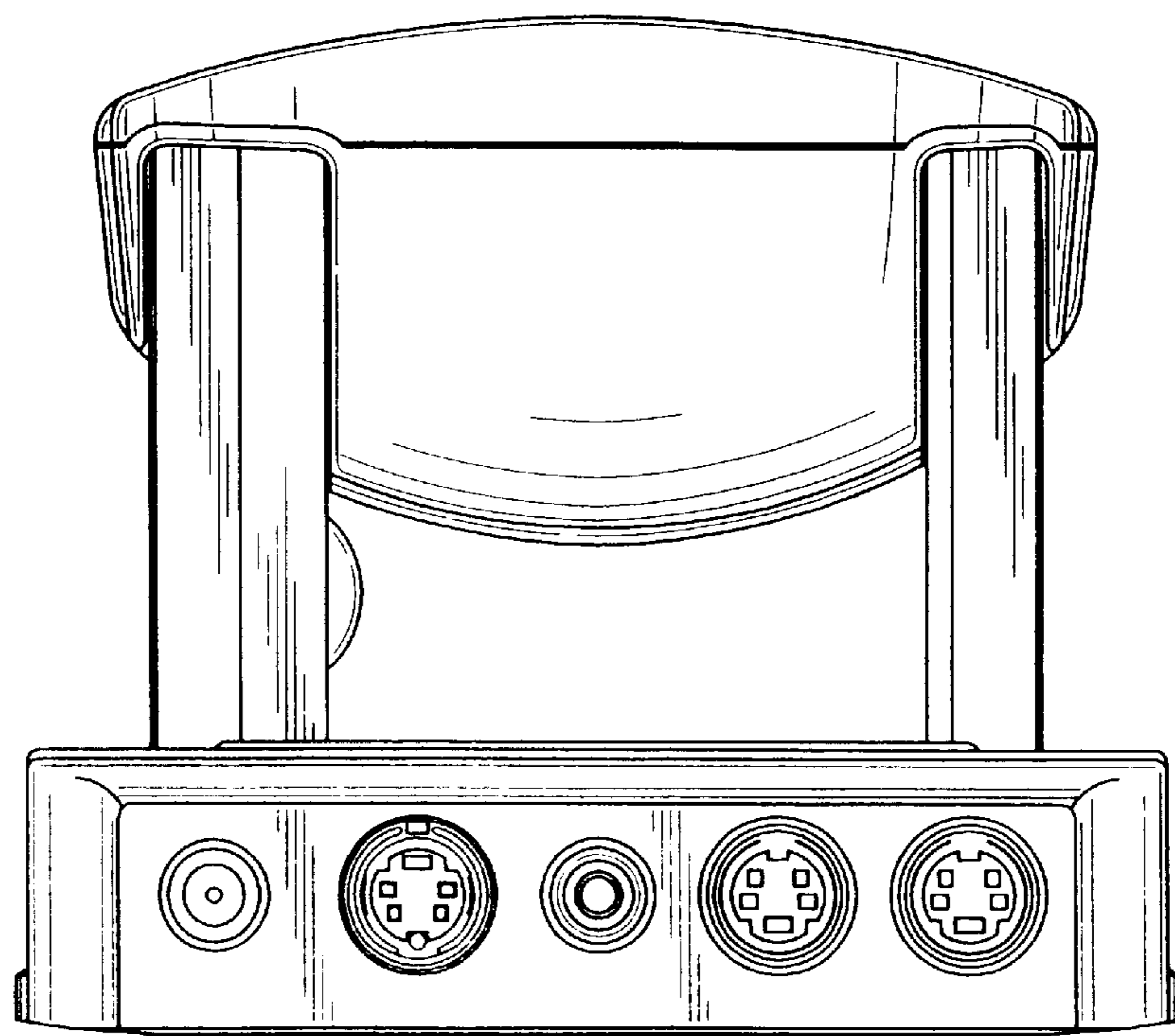


FIG. 3

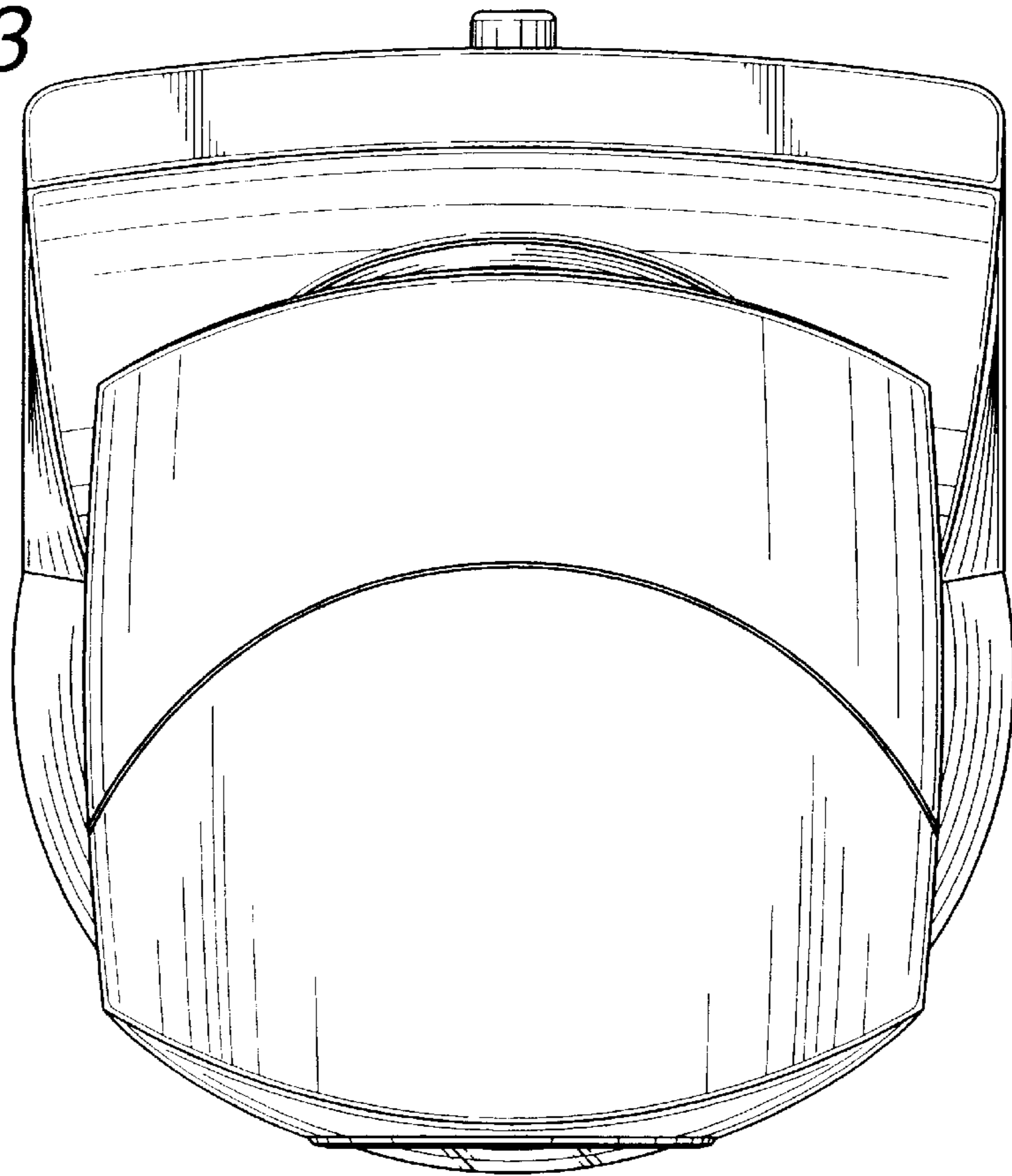


FIG. 4

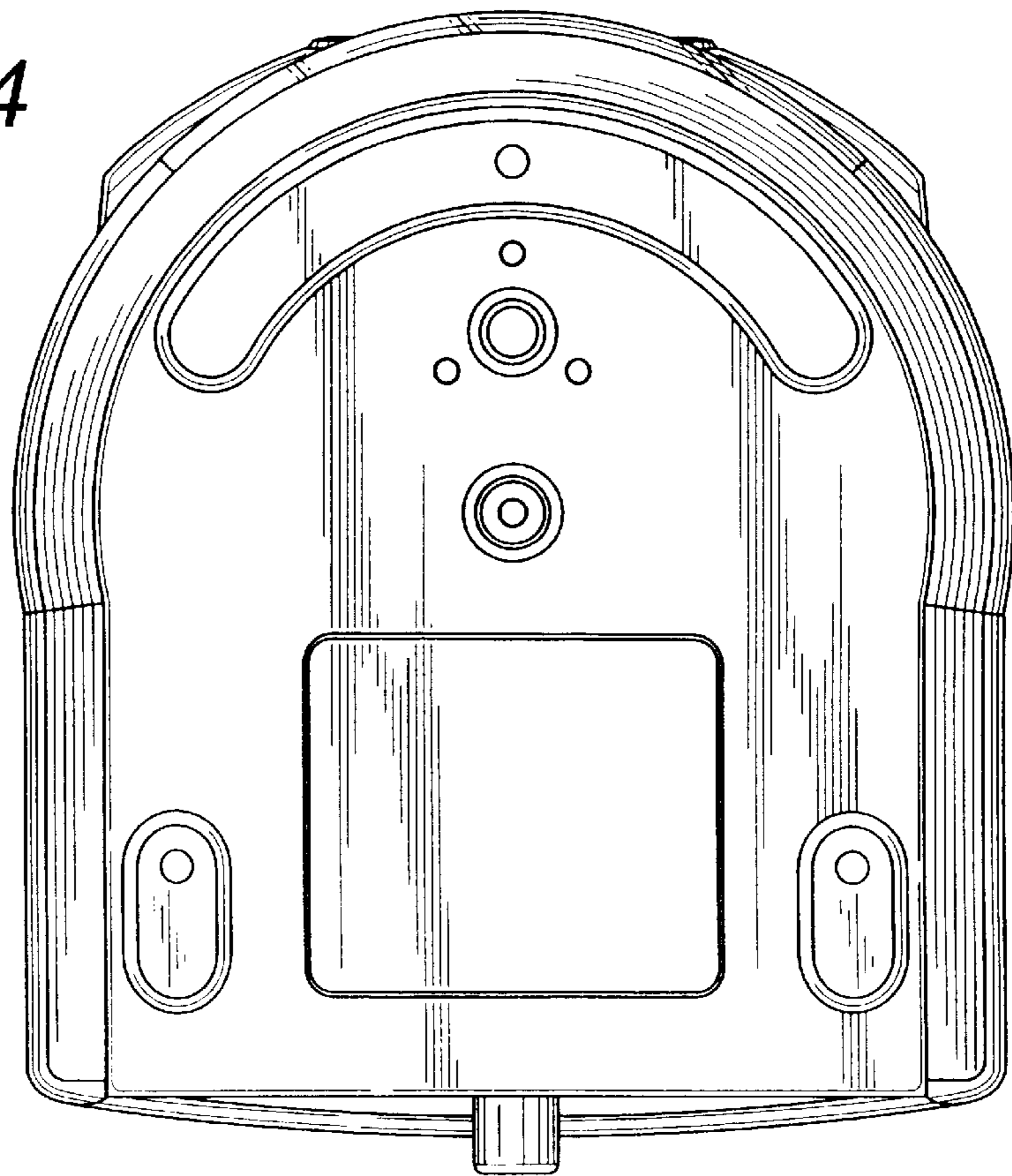


FIG. 5

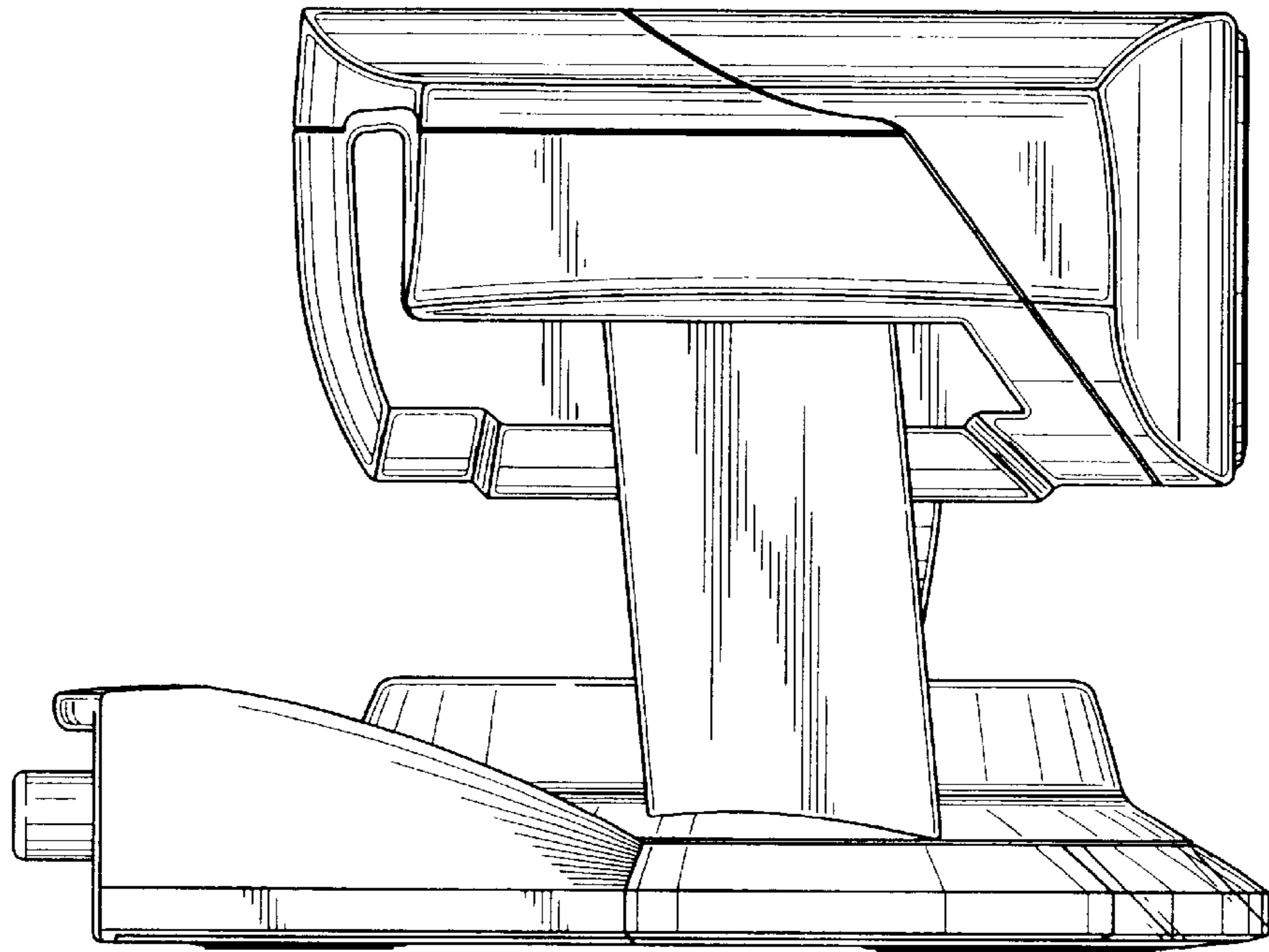


FIG. 6

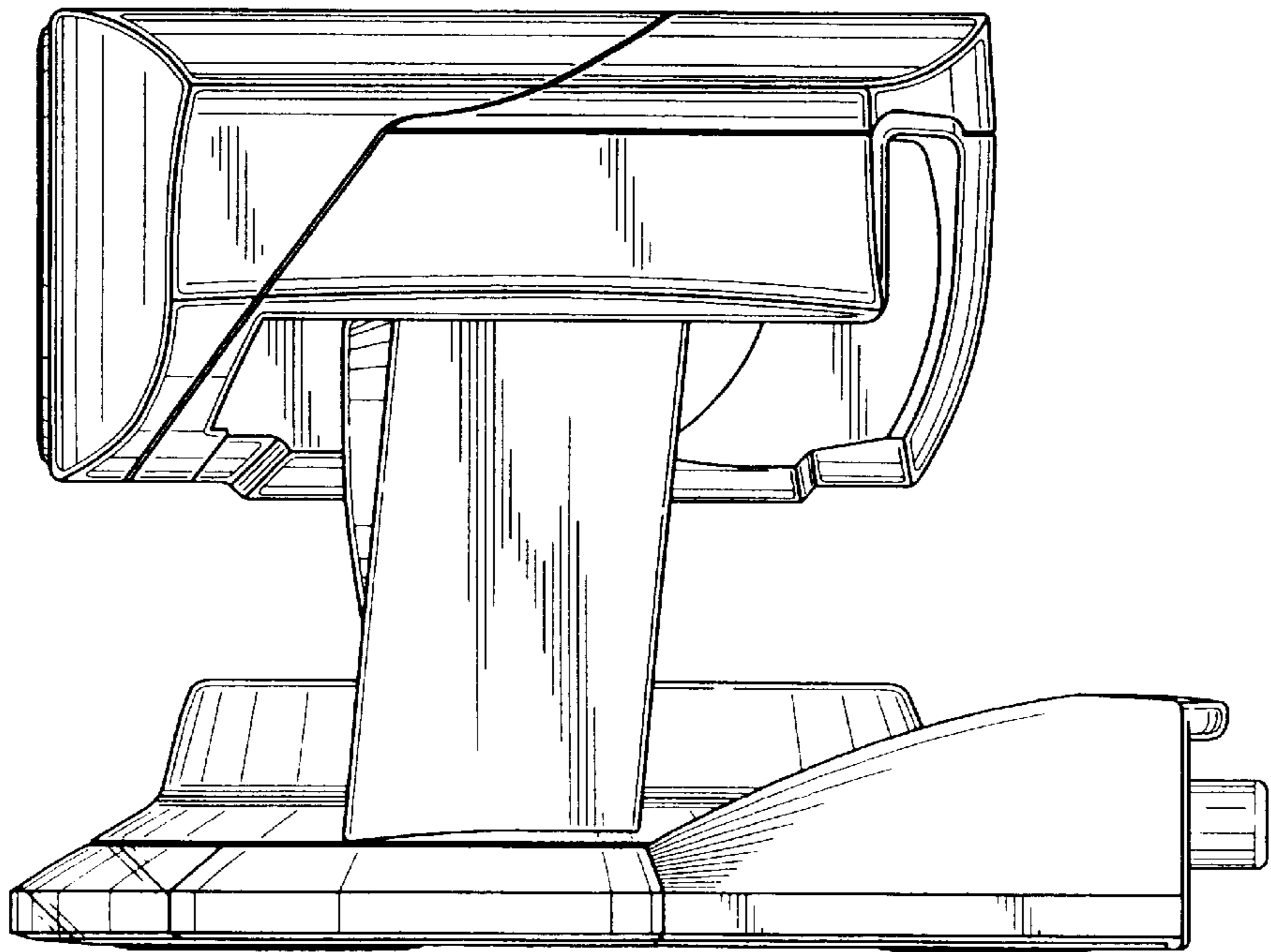


FIG. 7

