



US00D438222S

(12) **United States Design Patent**
Funato

(10) **Patent No.:** **US D438,222 S**

(45) **Date of Patent:** **** Feb. 27, 2001**

(54) **DIGITAL STILL CAMERA**

(75) Inventor: **Kenichi Funato**, Tokyo (JP)

(73) Assignee: **Fuji Photo Film Co., Ltd.**,
Minami-Ashigara (JP)

(**) Term: **14 Years**

(21) Appl. No.: **29/113,460**

(22) Filed: **Nov. 8, 1999**

(30) **Foreign Application Priority Data**

May 7, 1999 (JP) 11-12061

(51) **LOC (7) Cl.** **16-01**

(52) **U.S. Cl.** **D16/202; D16/209**

(58) **Field of Search** **D16/200-205,**
D16/208, 209, 217, 218; 348/373-376;
358/906, 909.1; 396/535-541

(56) **References Cited**

U.S. PATENT DOCUMENTS

D. 384,088	*	9/1997	Isozaki et al.	D16/202
D. 418,851	*	1/2000	Goto et al.	D16/202
D. 424,084	*	5/2000	Senda	D16/202
D. 424,085	*	5/2000	Naito	D16/202
5,875,034	*	2/1999	Shintani et al.	358/906

* cited by examiner

Primary Examiner—Adir Aronovich

(74) *Attorney, Agent, or Firm*—McGinn & Gibb, PLLC

(57) **CLAIM**

The ornamental design for a digital still camera, as shown and described.

DESCRIPTION

FIG. 1 is a front perspective view of a digital still camera of the design;

FIG. 2 is a rear perspective view of the digital still camera of FIG. 1;

FIG. 3 is a front view of the digital still camera of FIG. 1;

FIG. 4 is a rear view of the digital still camera of FIG. 1;

FIG. 5 is a top plan view of the digital still camera of FIG. 1;

FIG. 6 is a bottom plan view of the digital still camera of FIG. 1;

FIG. 7 is a side view of the digital still camera from the right of FIG. 3;

FIG. 8 is a side view of the digital still camera from the left of FIG. 3; and,

FIG. 9 is a front perspective view of a digital still camera of FIG. 1 in a flash pop-up state and in a lens-zooming state.

1 Claim, 2 Drawing Sheets

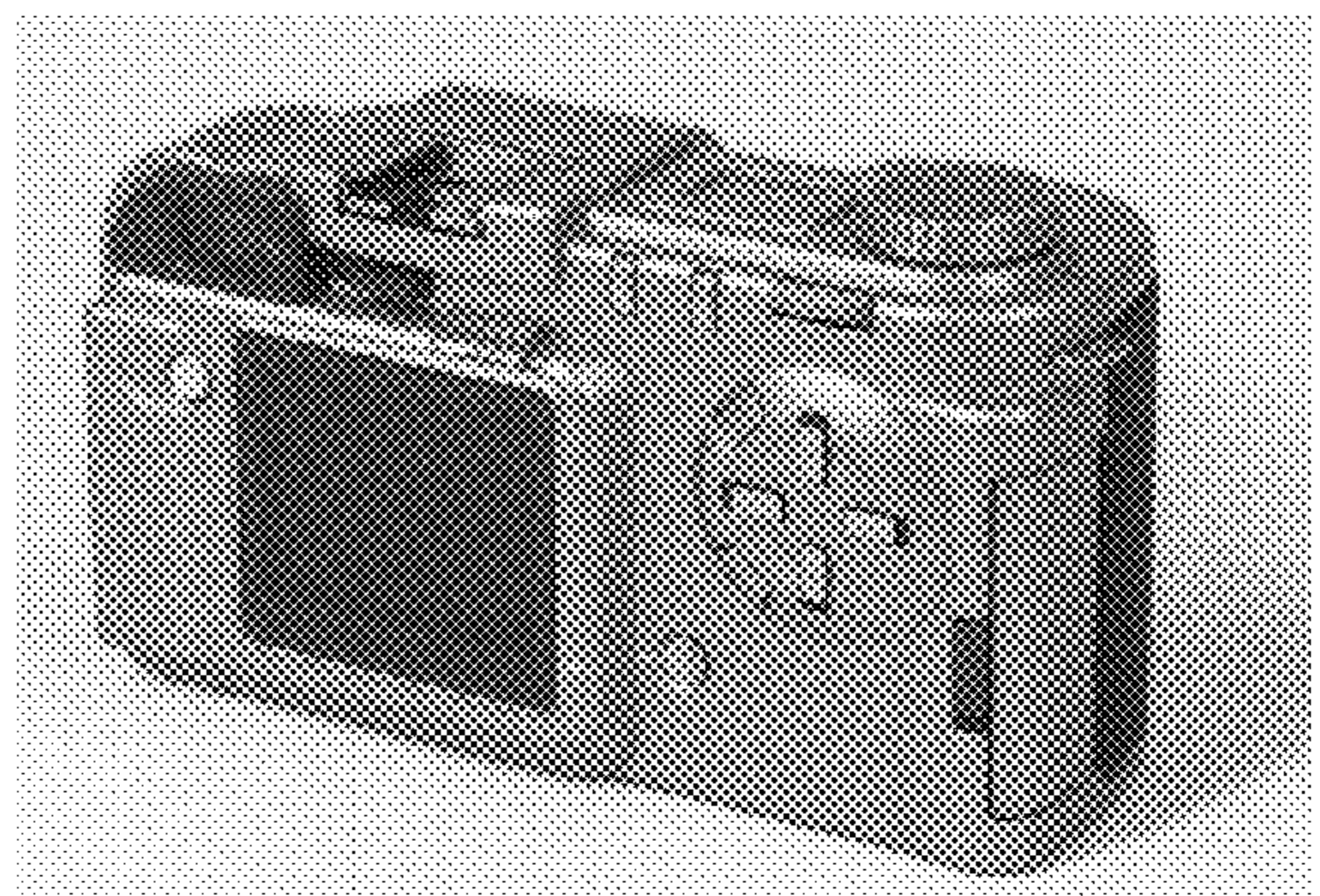


FIG. 1



FIG. 2



FIG. 9



FIG. 3

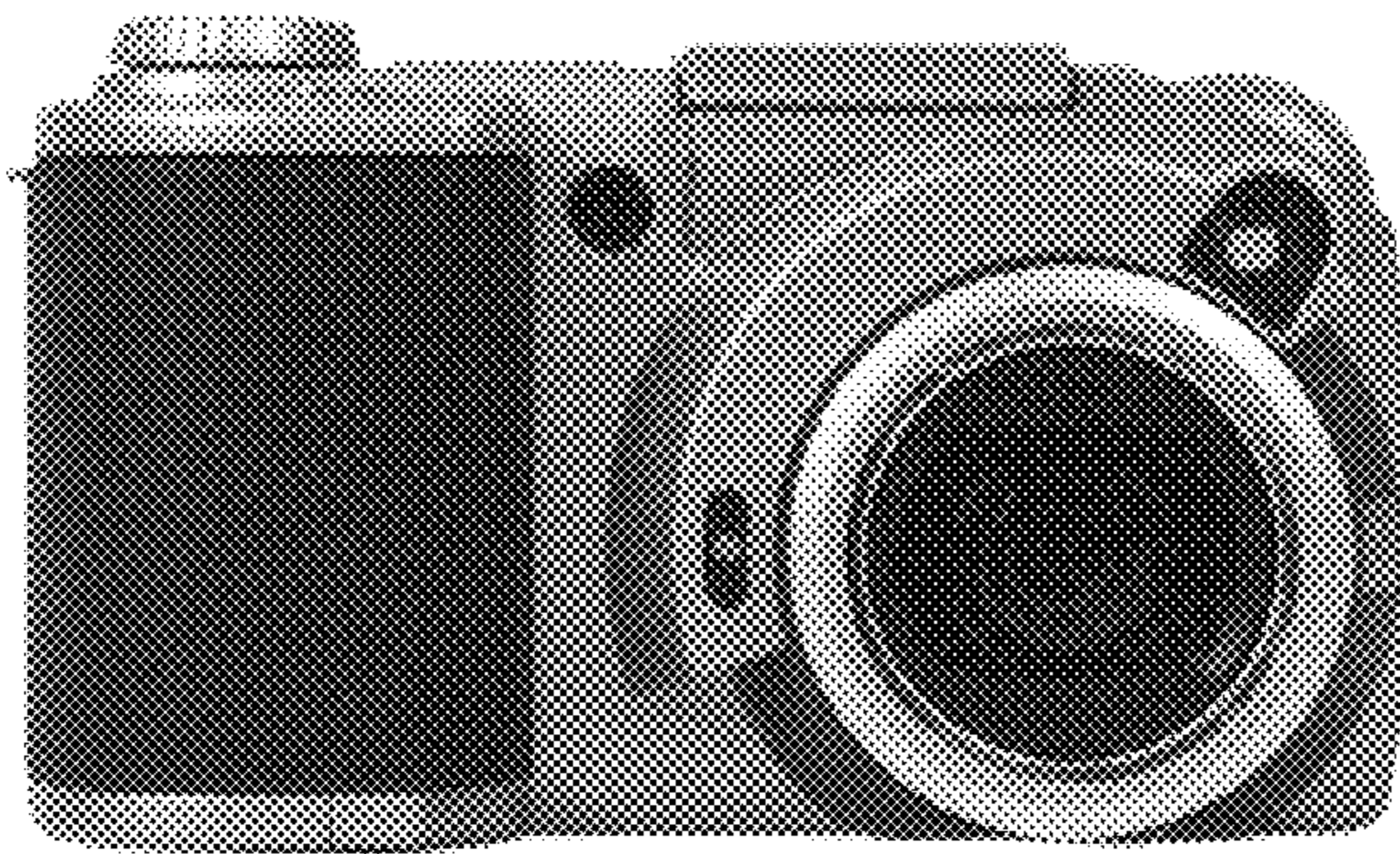


FIG. 7

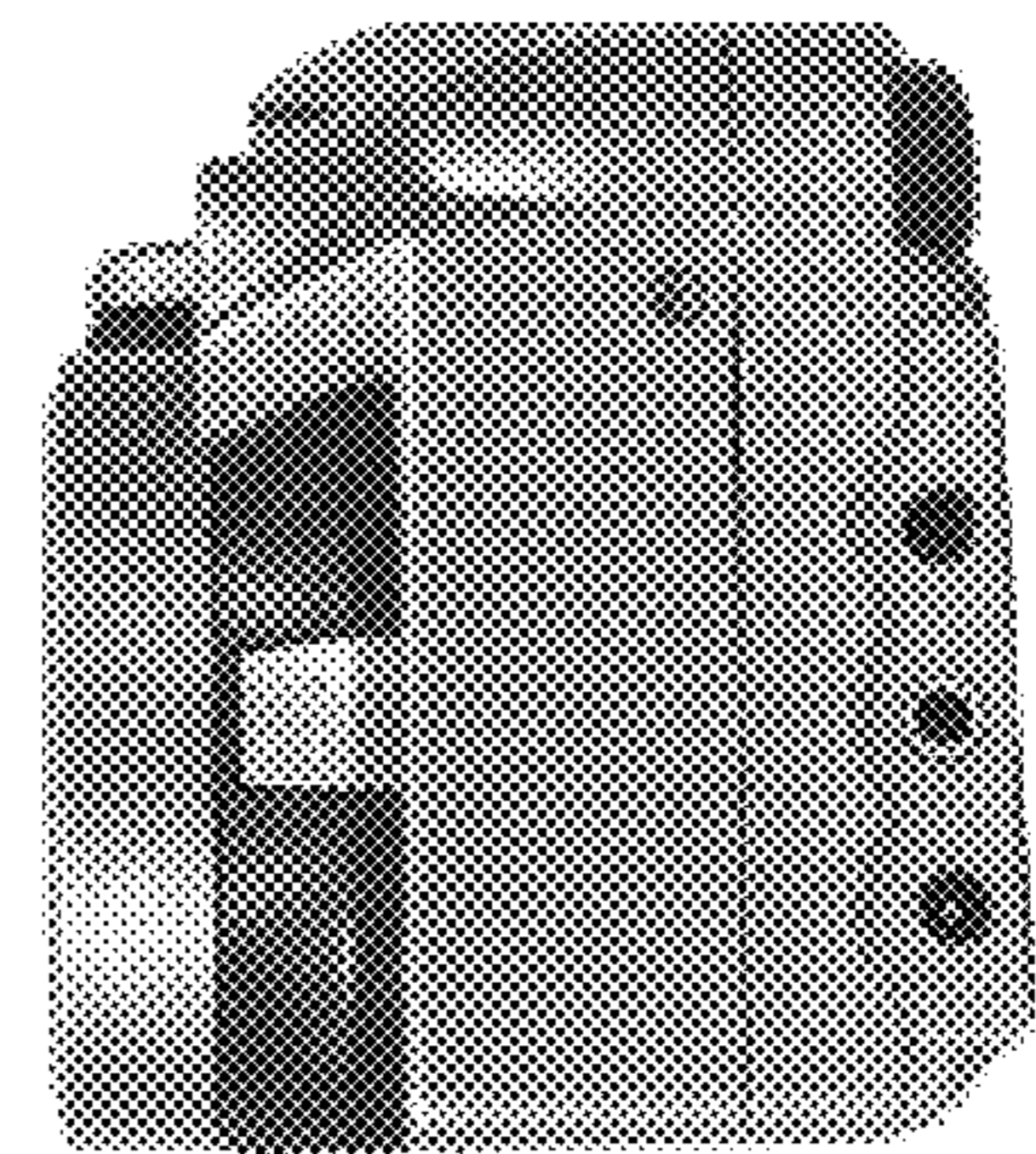


FIG. 4

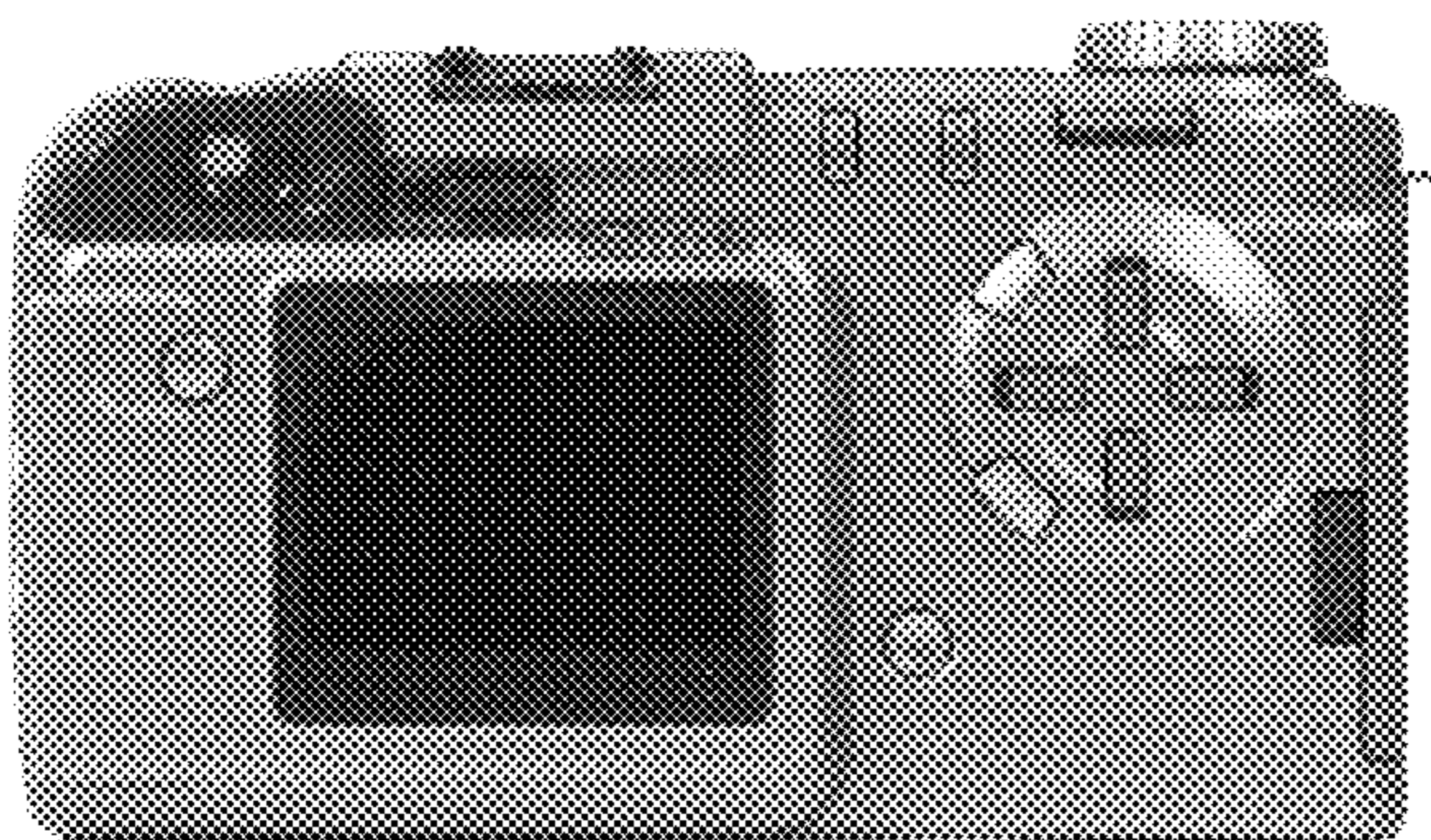


FIG. 8

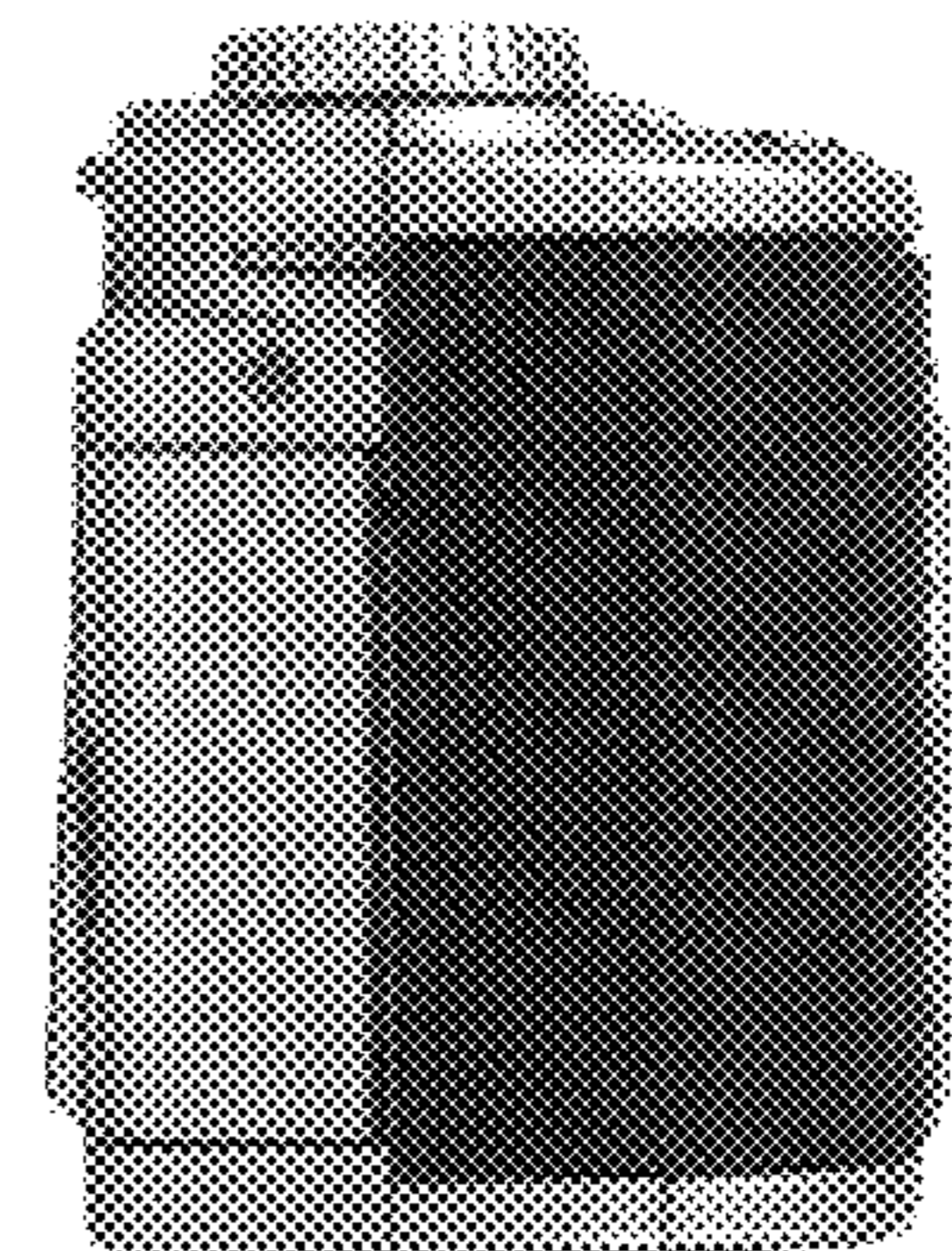


FIG. 5

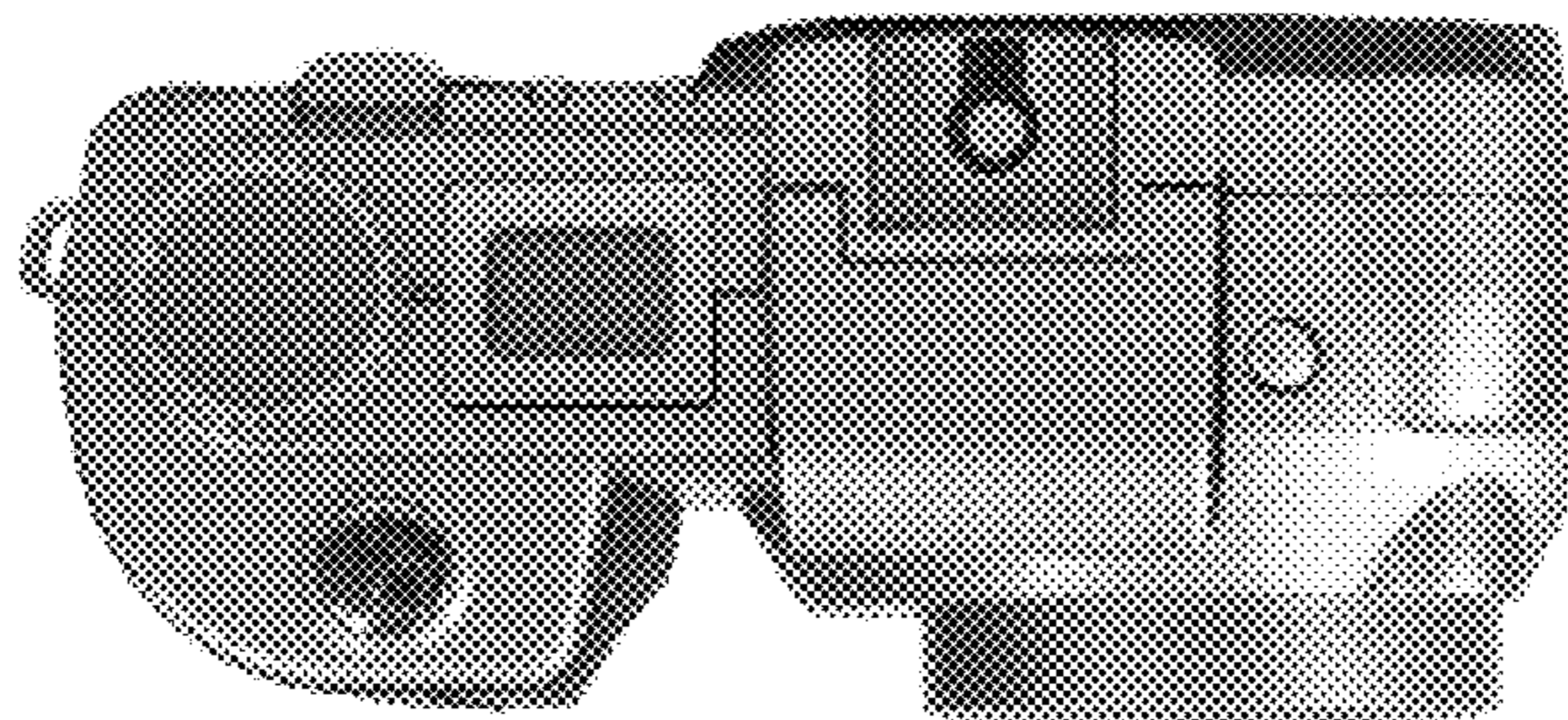


FIG. 6

