



US00D438221S

(12) **United States Design Patent**
Hedrick et al.

(10) **Patent No.:** **US D438,221 S**

(45) **Date of Patent:** **** Feb. 27, 2001**

(54) **TELESCOPE**

Primary Examiner—Paula A. Mortimer

(74) *Attorney, Agent, or Firm*—Patton Boggs LLP

(76) Inventors: **Rick Hedrick**, 1111 W. 10th St., #A, San Pedro, CA (US) 90731; **Manishi Gupta**, 3351 Rossmoor Way, Los Alamitos, CA (US) 90720; **John Goodin**, 31941 Via Oso, Coto de Caza, CA (US) 92679; **Joseph R. Garrison, Jr.**, 11842 Daniel Ave., Garden Grove, CA (US) 92840

(57) **CLAIM**

The ornamental design for a telescope, as shown, and described.

(**) Term: **14 Years**

DESCRIPTION

(21) Appl. No.: **29/122,263**

FIG. 1: A top plan view of a telescope with the tube thereof being shown in broken lines since it is not part of the design;
FIG. 2: A perspective view thereof;
FIG. 3: A left side view thereof;
FIG. 4: A front view thereof;
FIG. 5: A right side view thereof;
FIG. 6: A rear view thereof;
FIG. 7: A top plan view similar to FIG. 1 but with the hand control unit removed;
FIG. 8: A perspective view similar to FIG. 2 but with the hand control unit removed;
FIG. 9: A left side view similar to FIG. 3 but with the hand control unit removed;
FIG. 10: A front view similar to FIG. 4 but with the hand control unit removed;
FIG. 11: A right side view similar to FIG. 5 but with the hand control unit removed; and,
FIG. 12: A rear view similar to FIG. 6 but with the hand control unit removed.

(22) Filed: **Apr. 25, 2000**

(51) **LOC (7) Cl.** **16-06**

(52) **U.S. Cl.** **D16/132**

(58) **Field of Search** D16/214, 132;
D10/104; D14/218; 359/197, 242, 399,
430

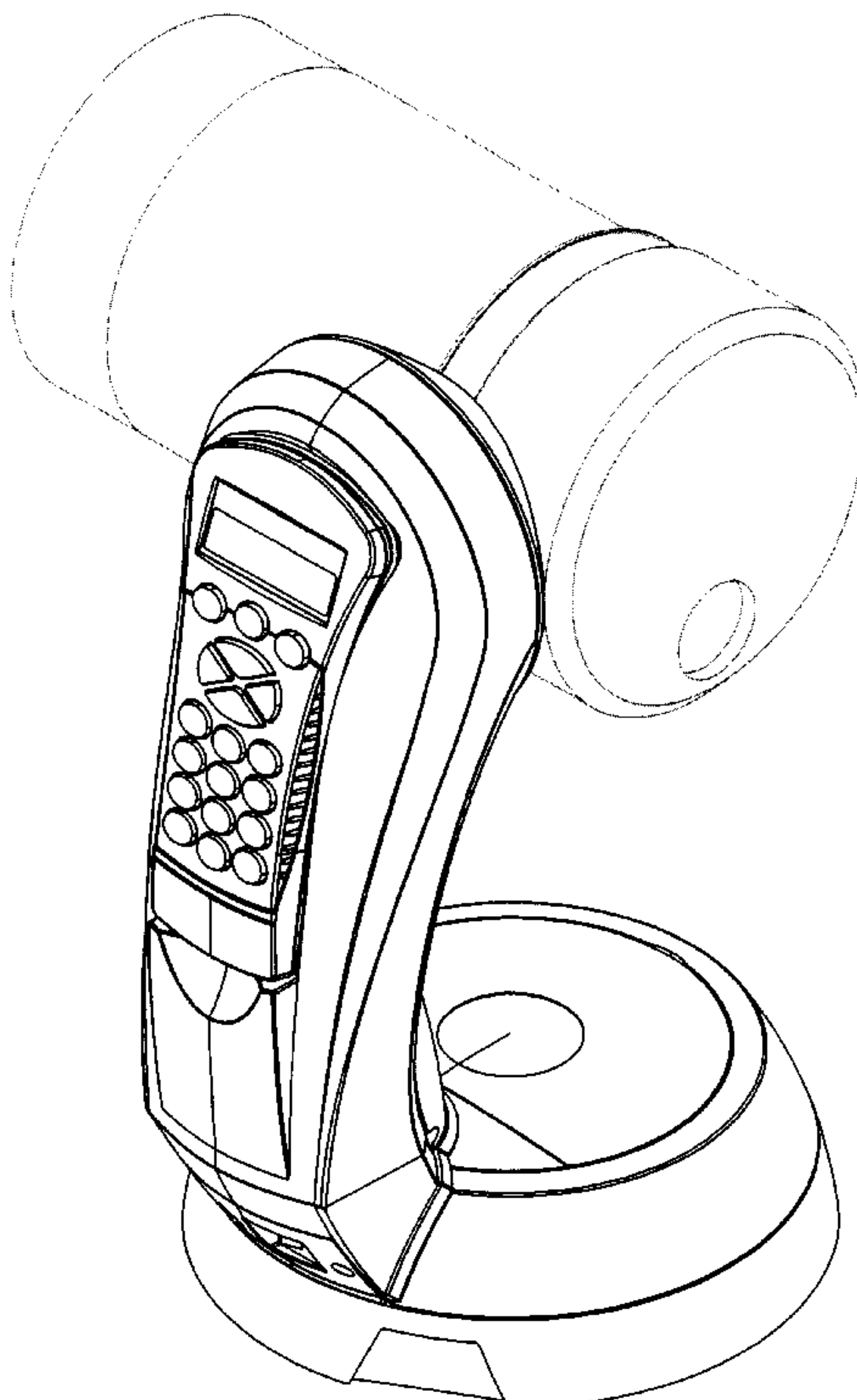
(56) **References Cited**

U.S. PATENT DOCUMENTS

D. 381,660	*	7/1997	Grewe et al.	D14/218
D. 382,878	*	8/1997	Erlin	D14/218
D. 412,920		8/1999	Diebel et al. .	
D. 427,536	*	7/2000	Quick	D10/104
4,400,066		8/1983	Byers .	
4,671,130	*	6/1987	Byers	359/430
4,764,881	*	8/1988	Gagnon	359/430

* cited by examiner

1 Claim, 12 Drawing Sheets



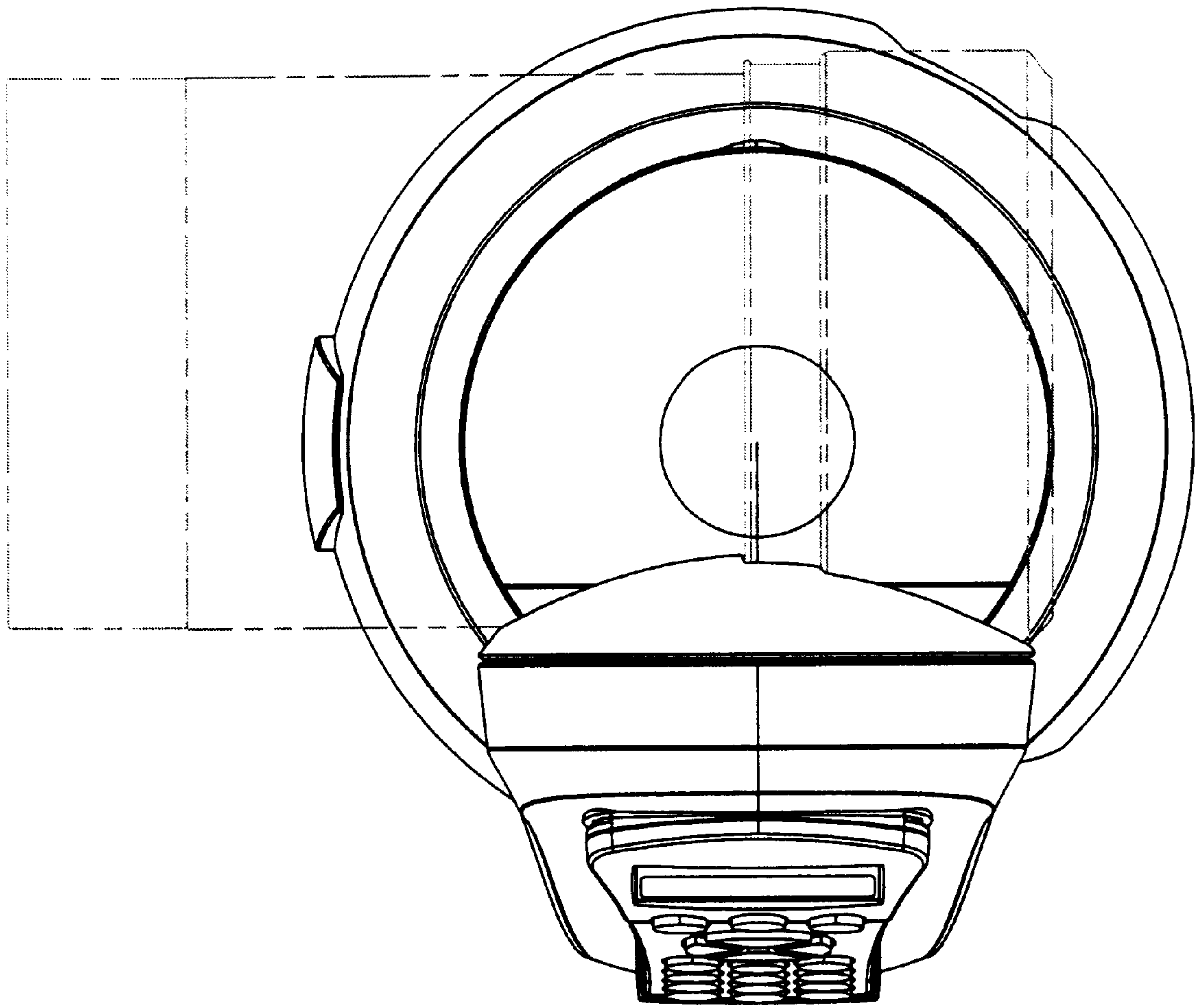


FIG 1

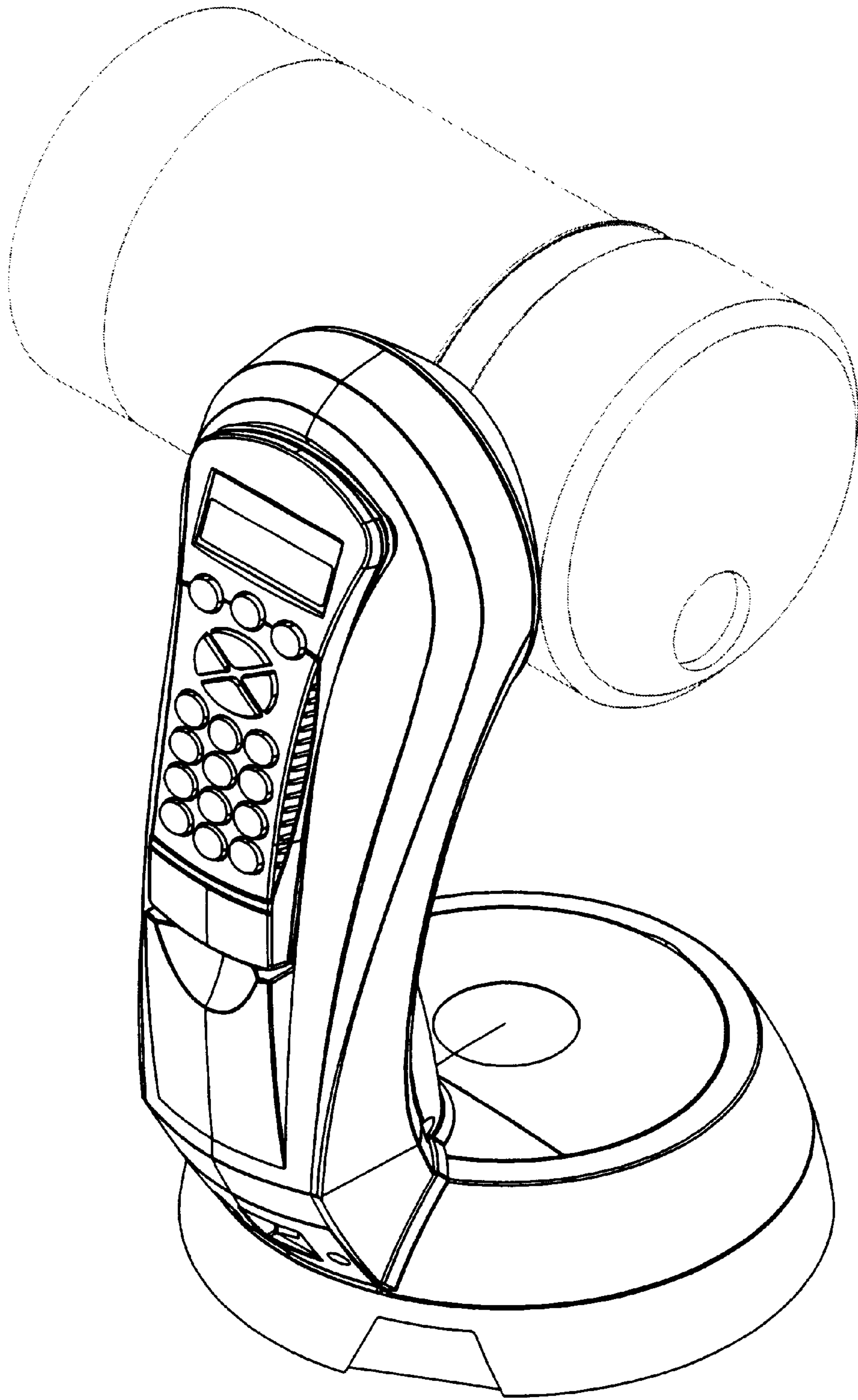


FIG 2

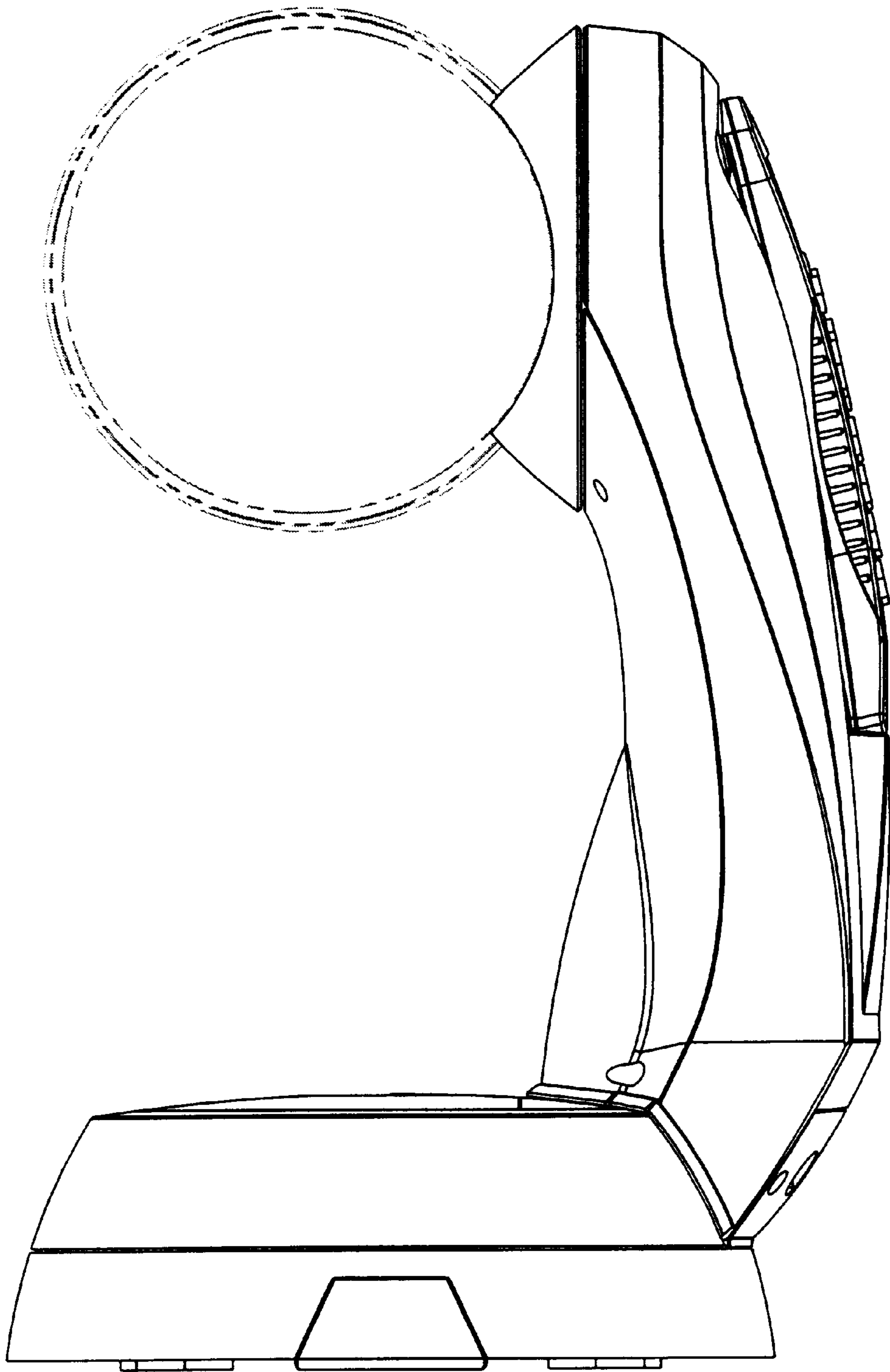


FIG 3

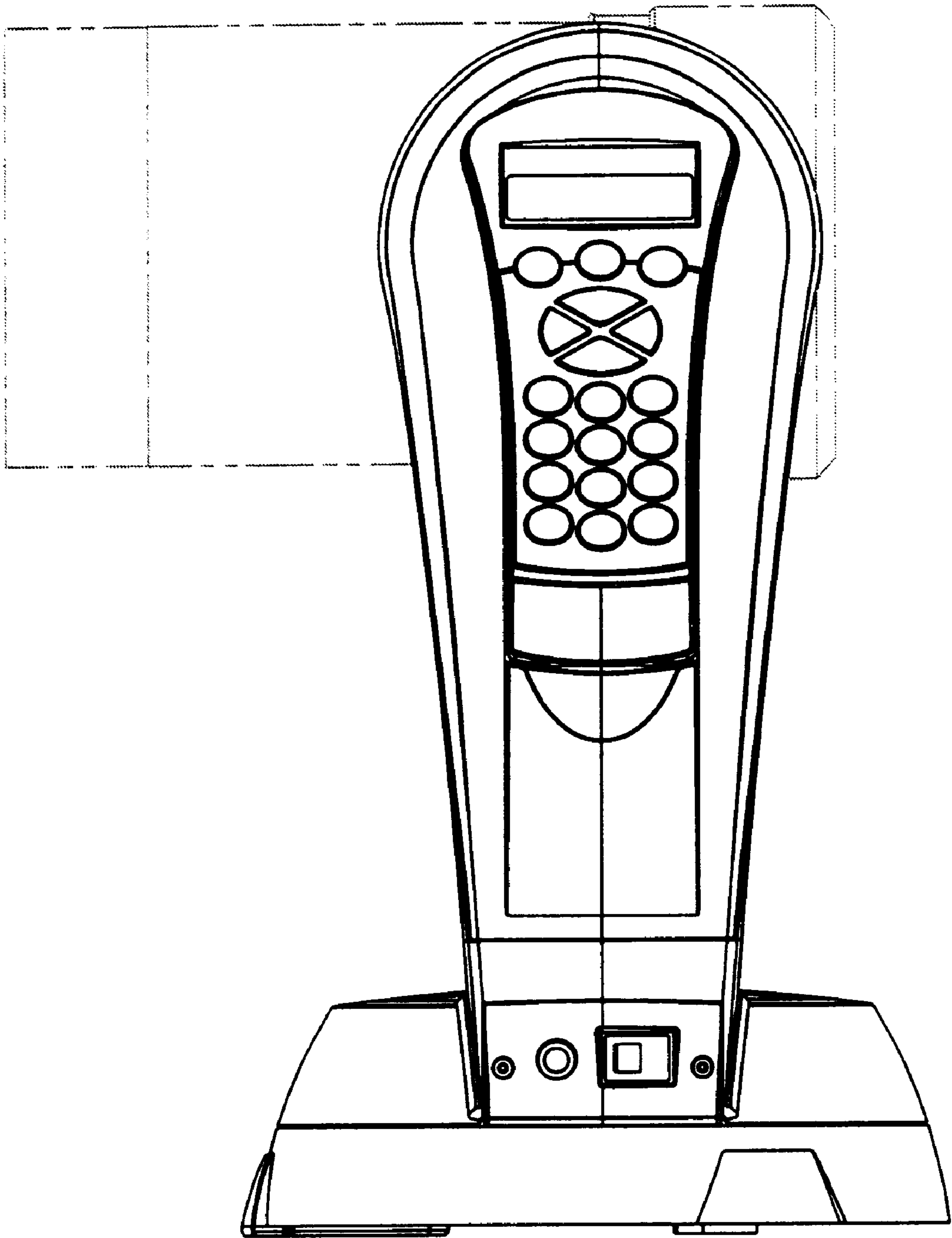


FIG 4

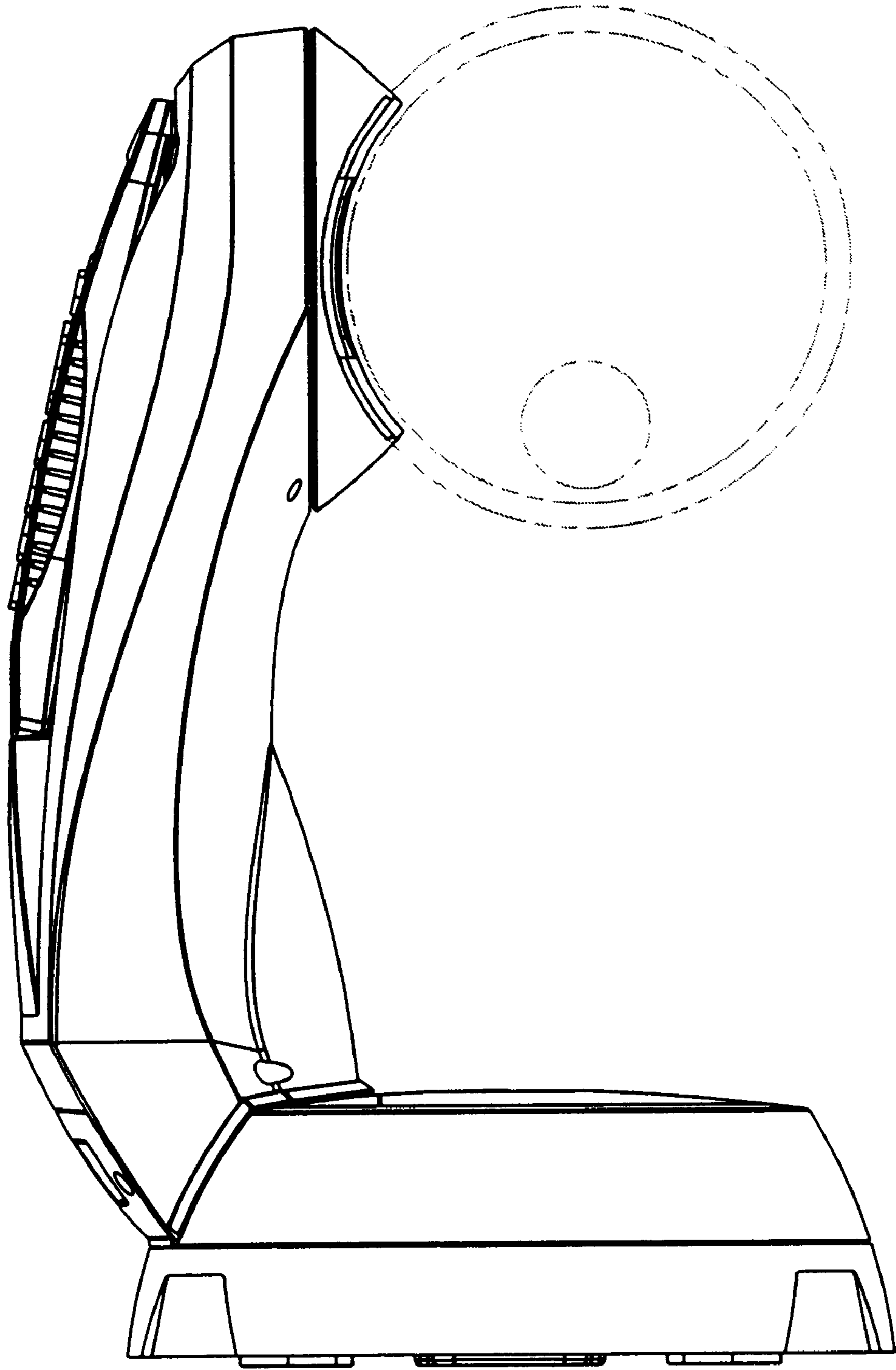


FIG 5

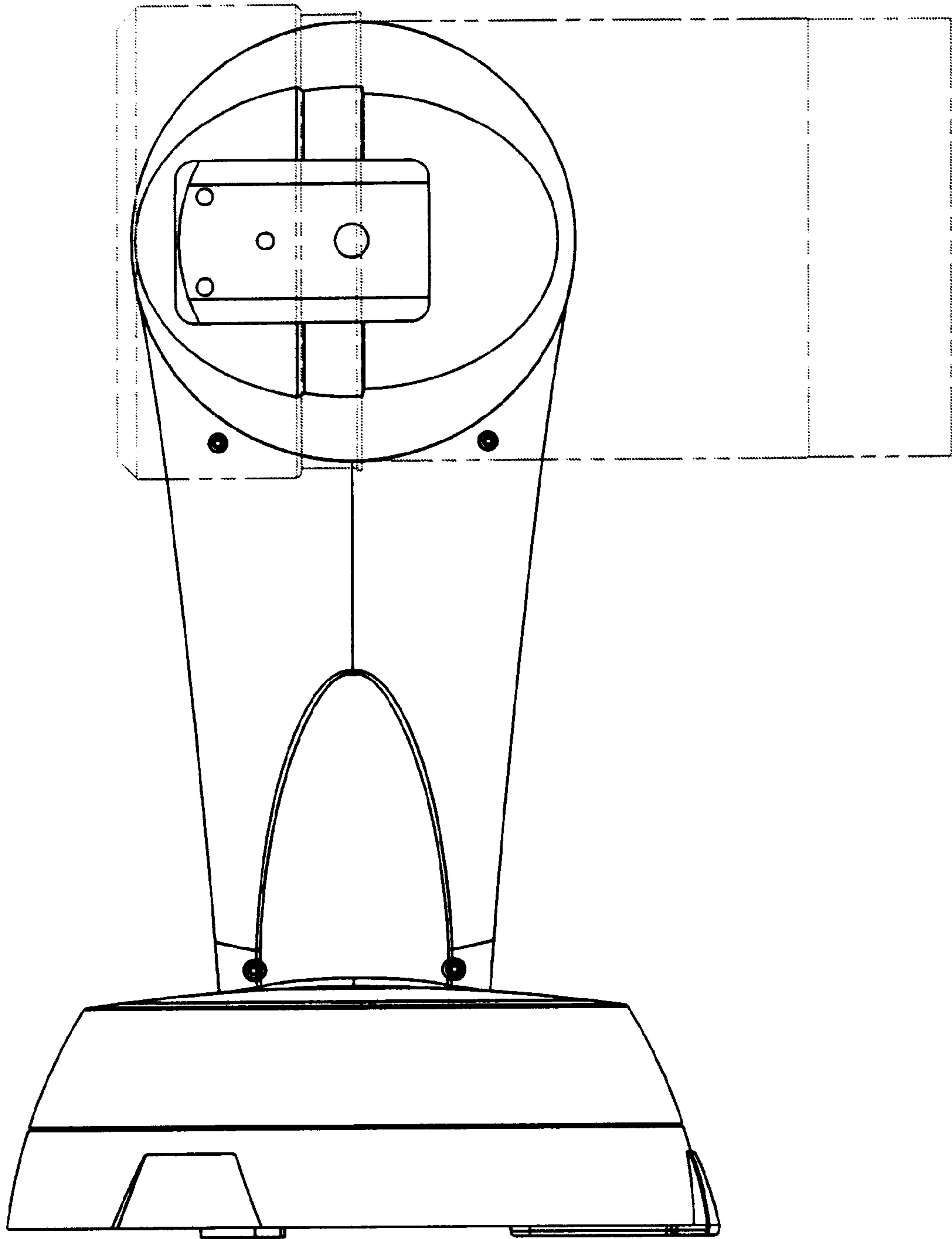


FIG 6

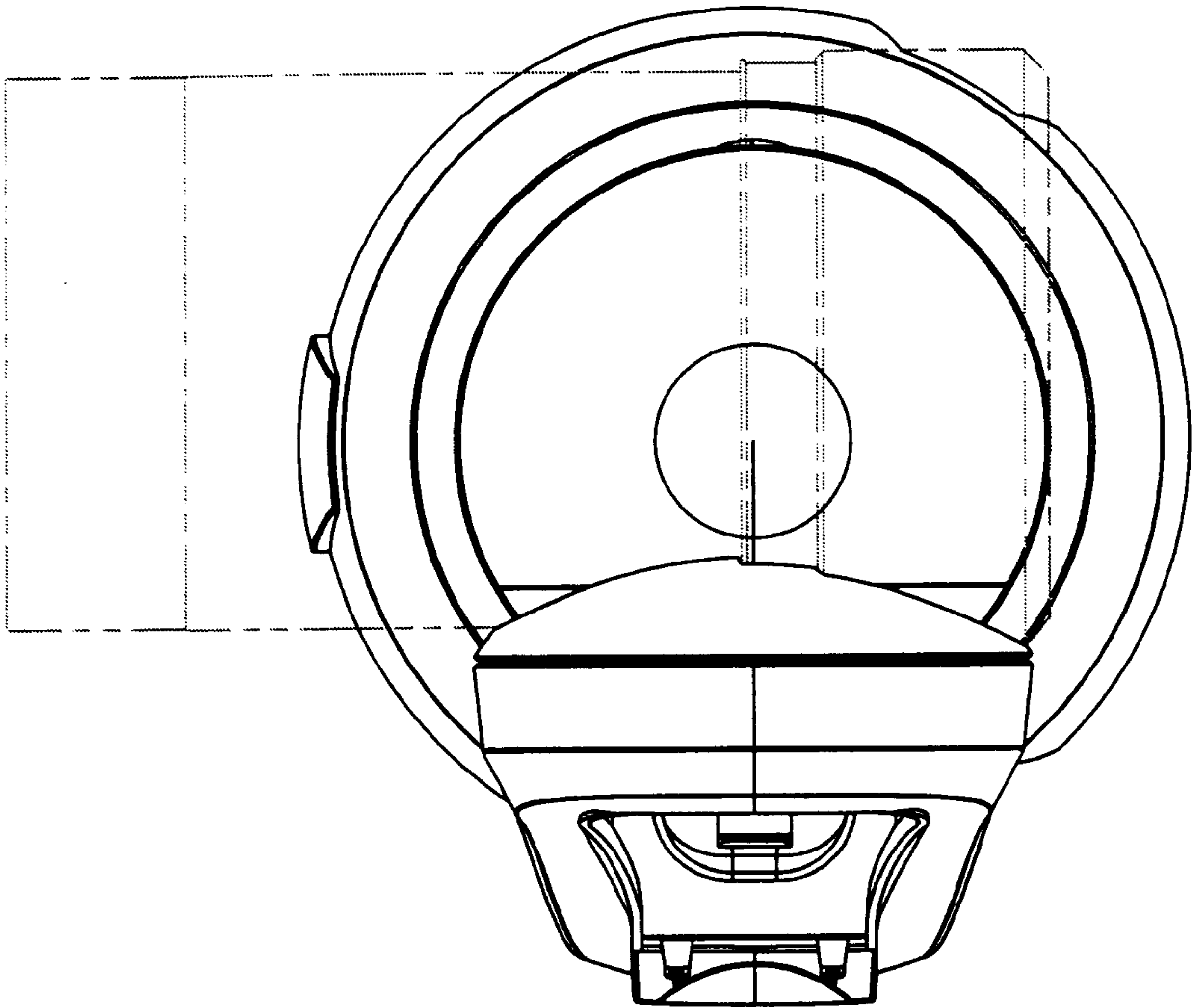


FIG 7

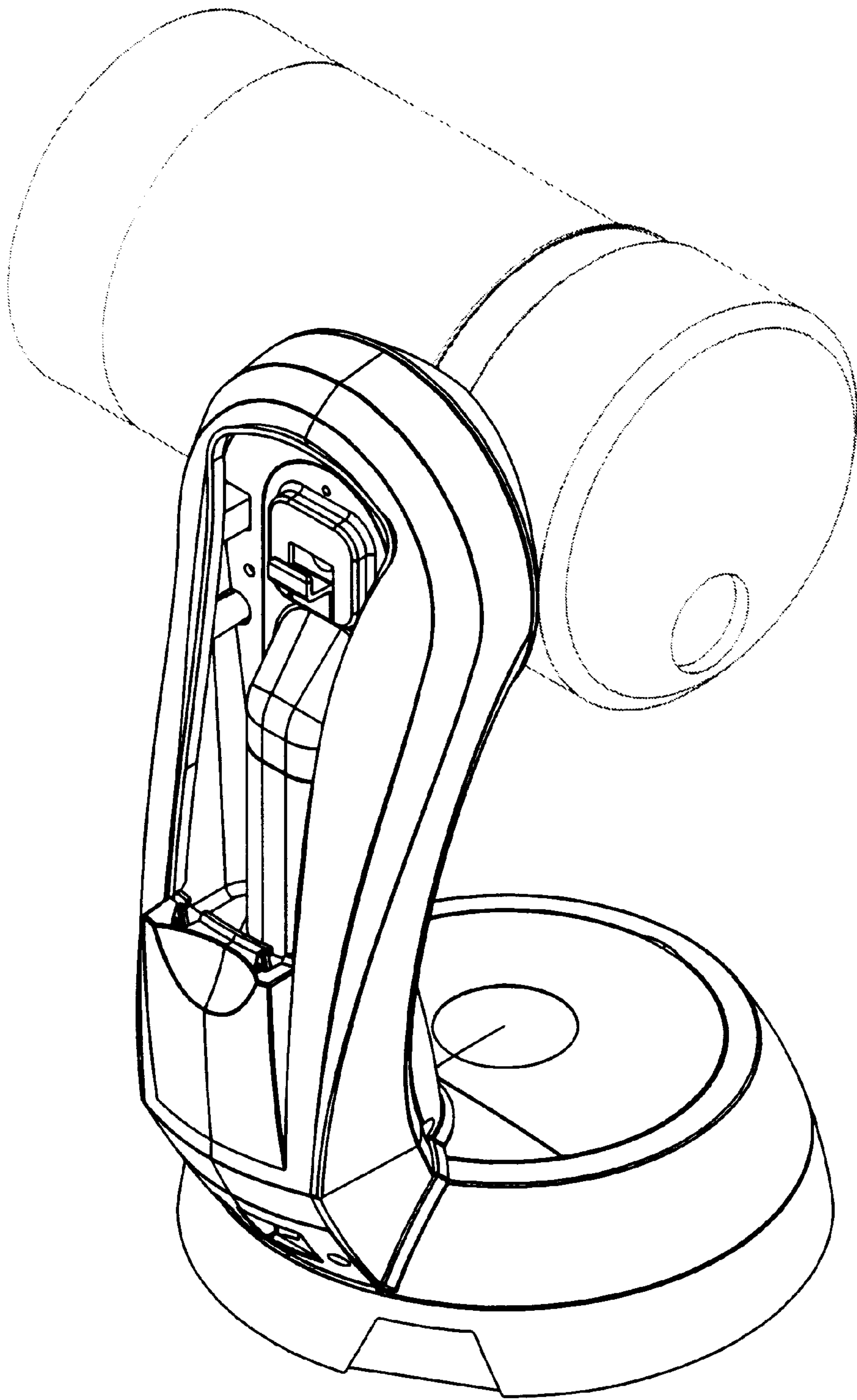


FIG 8

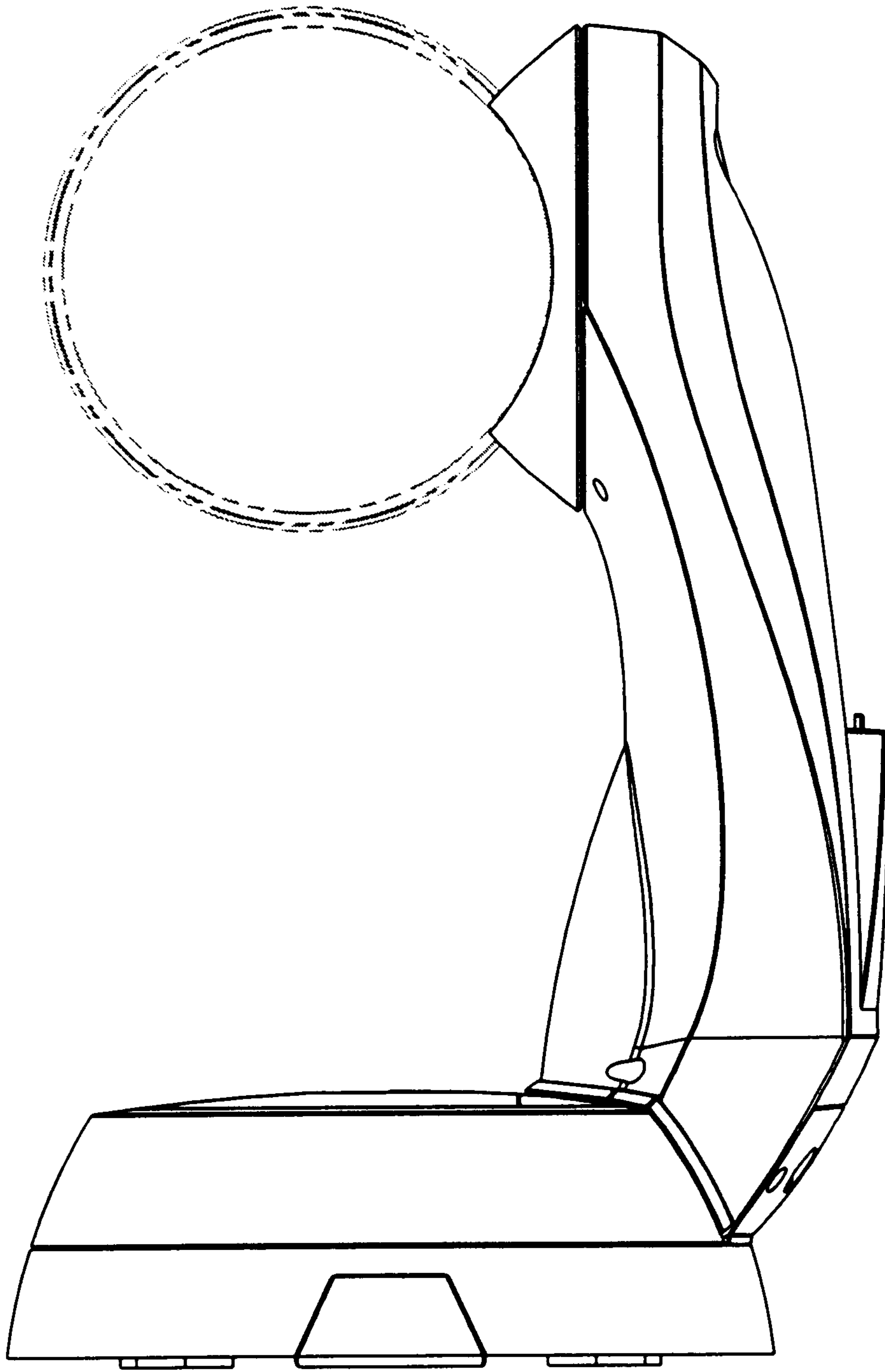


FIG 9

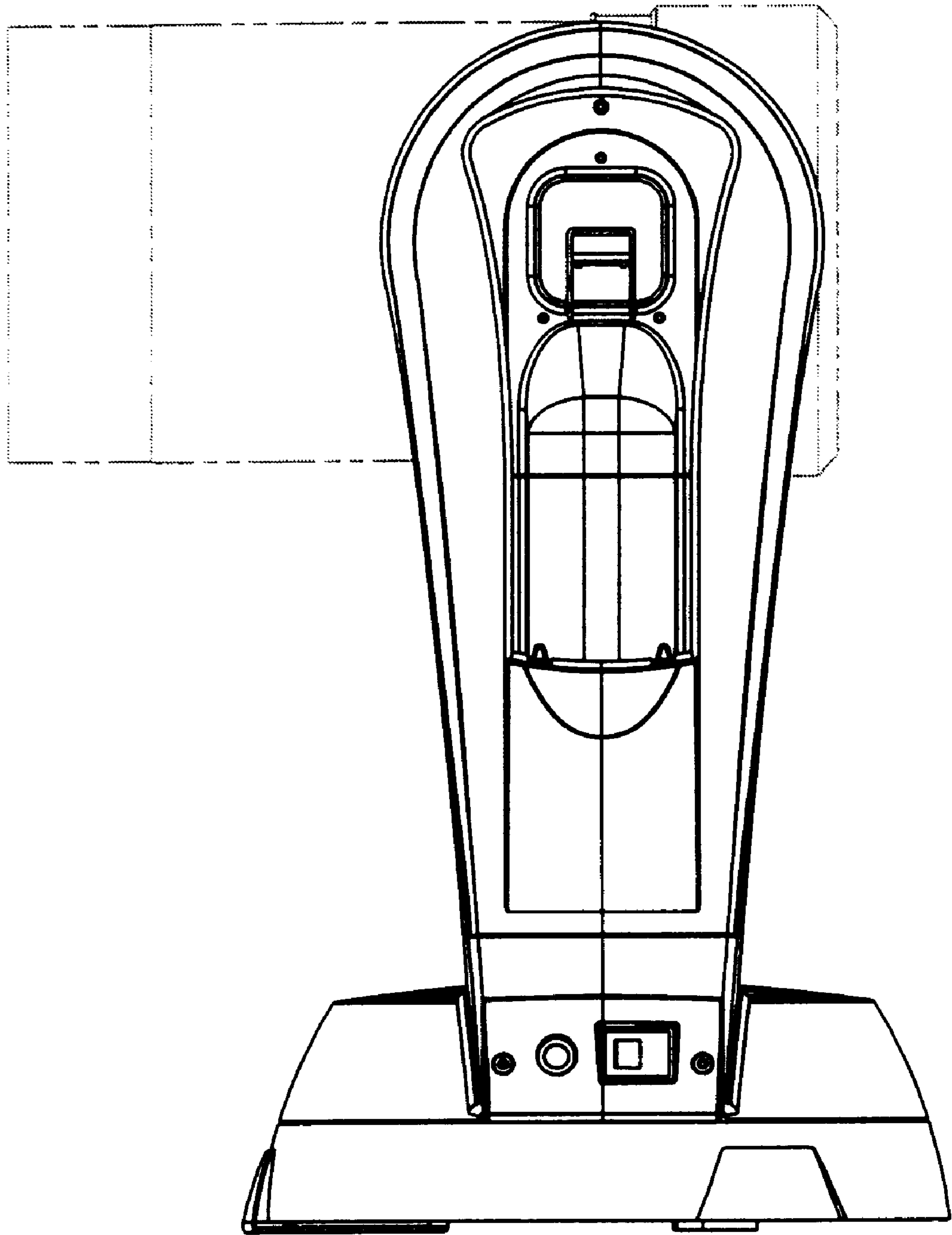


FIG 10

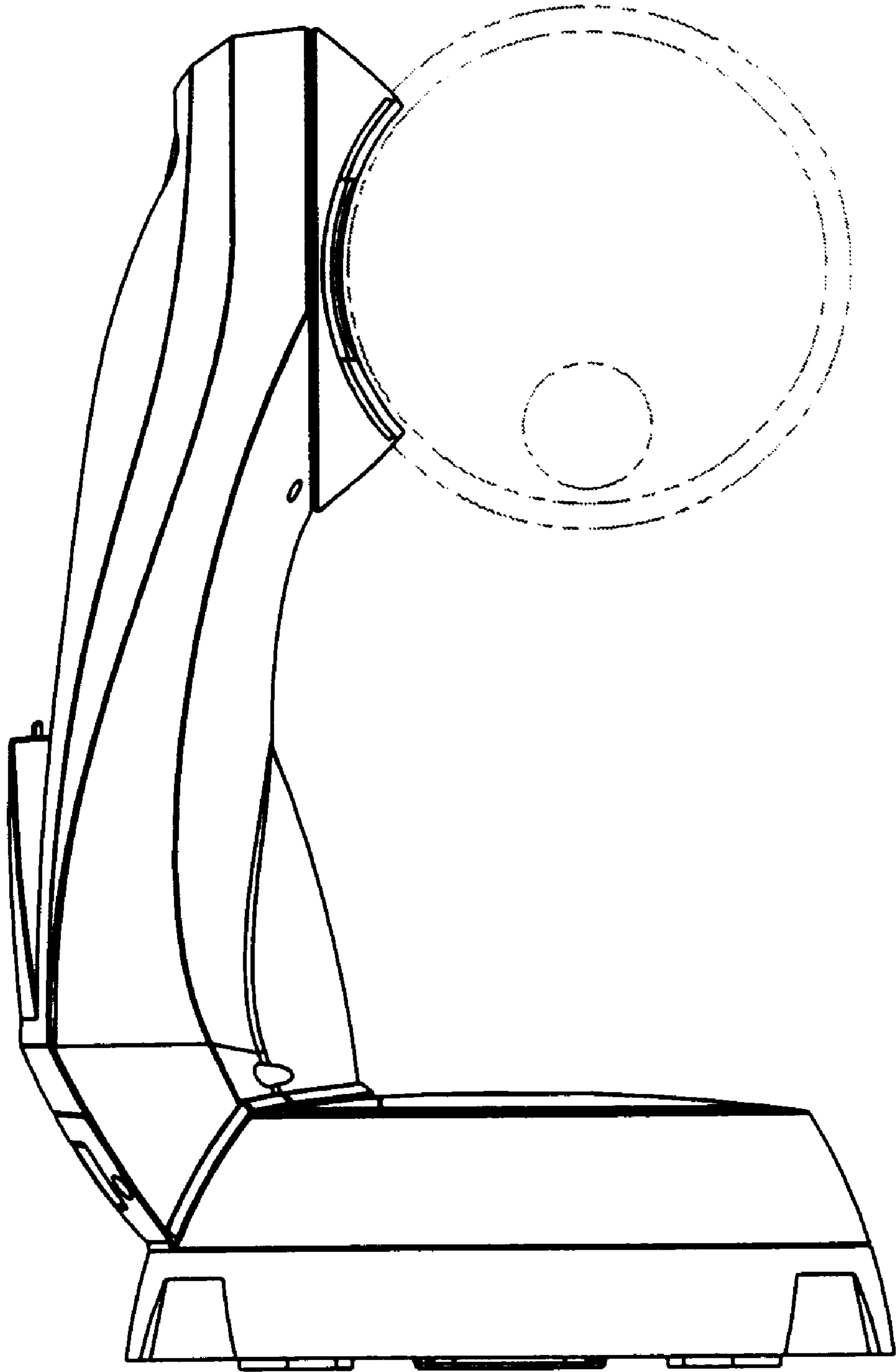


FIG 11

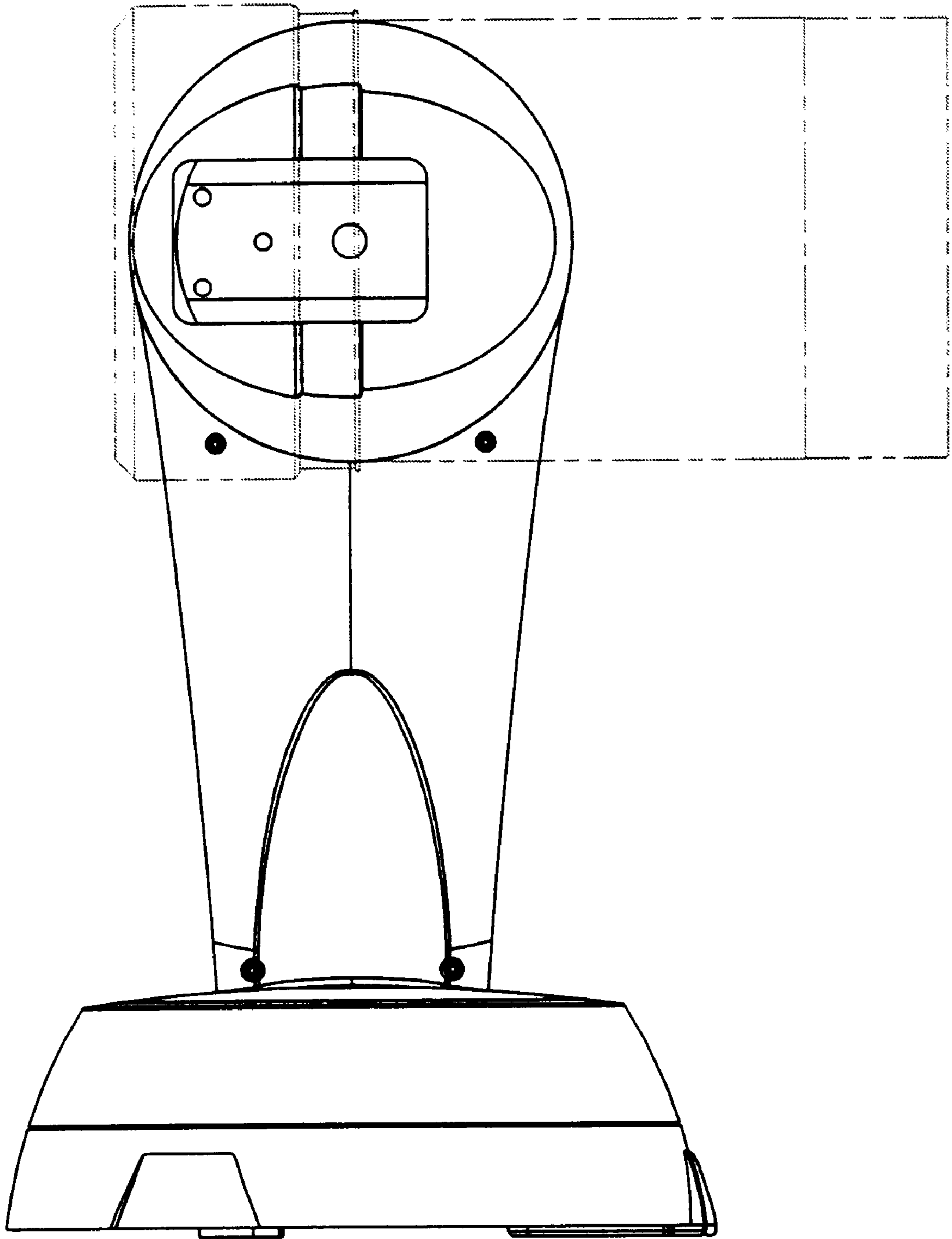


FIG 12