



US00D438219S

(12) **United States Design Patent**
Brutscher

(10) **Patent No.:** **US D438,219 S**

(45) **Date of Patent:** **** Feb. 27, 2001**

(54) **HOLE SAW**

(75) Inventor: **David T. Brutscher**, Louisville, KY
(US)

(73) Assignee: **Credo Tool Company**, Woodburn, OR
(US)

(**) Term: **14 Years**

(21) Appl. No.: **29/058,210**

(22) Filed: **Aug. 9, 1996**

(51) **LOC (7) Cl.** **15-09**

(52) **U.S. Cl.** **D15/139**

(58) **Field of Search** D15/138, 139;
D8/70; 408/200-225

(56) **References Cited**

U.S. PATENT DOCUMENTS

4,579,486	*	4/1986	Damico	408/204
5,061,126	*	10/1991	Cain et al.	408/206
5,154,552	*	10/1992	Koetsch	408/204
5,597,274	*	1/1997	Behner	408/204

* cited by examiner

Primary Examiner—Antoine Duval Davis

(74) *Attorney, Agent, or Firm*—McDermott, Will & Emery

(57) **CLAIM**

The ornamental design for a hole saw, as shown and described.

DESCRIPTION

FIG. 1 shows a perspective view of the hole saw of the present design;

FIG. 2 shows a right side view of the hole saw of the present design, the left side view diametrically opposite the right side view of FIG. 2 being a mirror image;

FIG. 3 shows a top view of the hole saw of the present design;

FIG. 4 shows a bottom view of the hole saw of the present design; and,

FIG. 5 shows a perspective view of the hole saw of a second embodiment of the design of FIG. 1.

The broken lines disclosure illustrated in the drawings are for illustration purposes only and form no part of the claimed design.

1 Claim, 3 Drawing Sheets

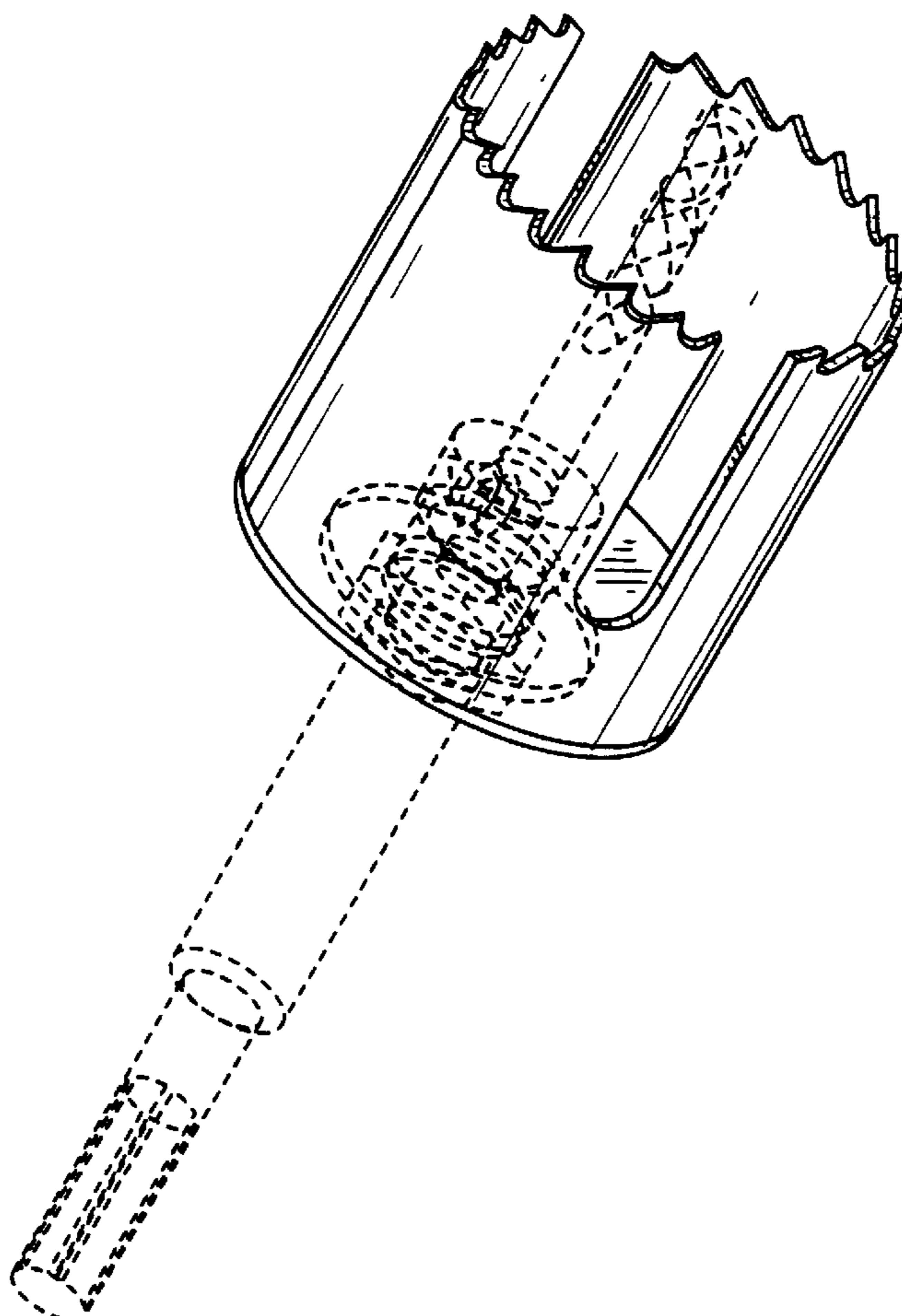


FIG. 1

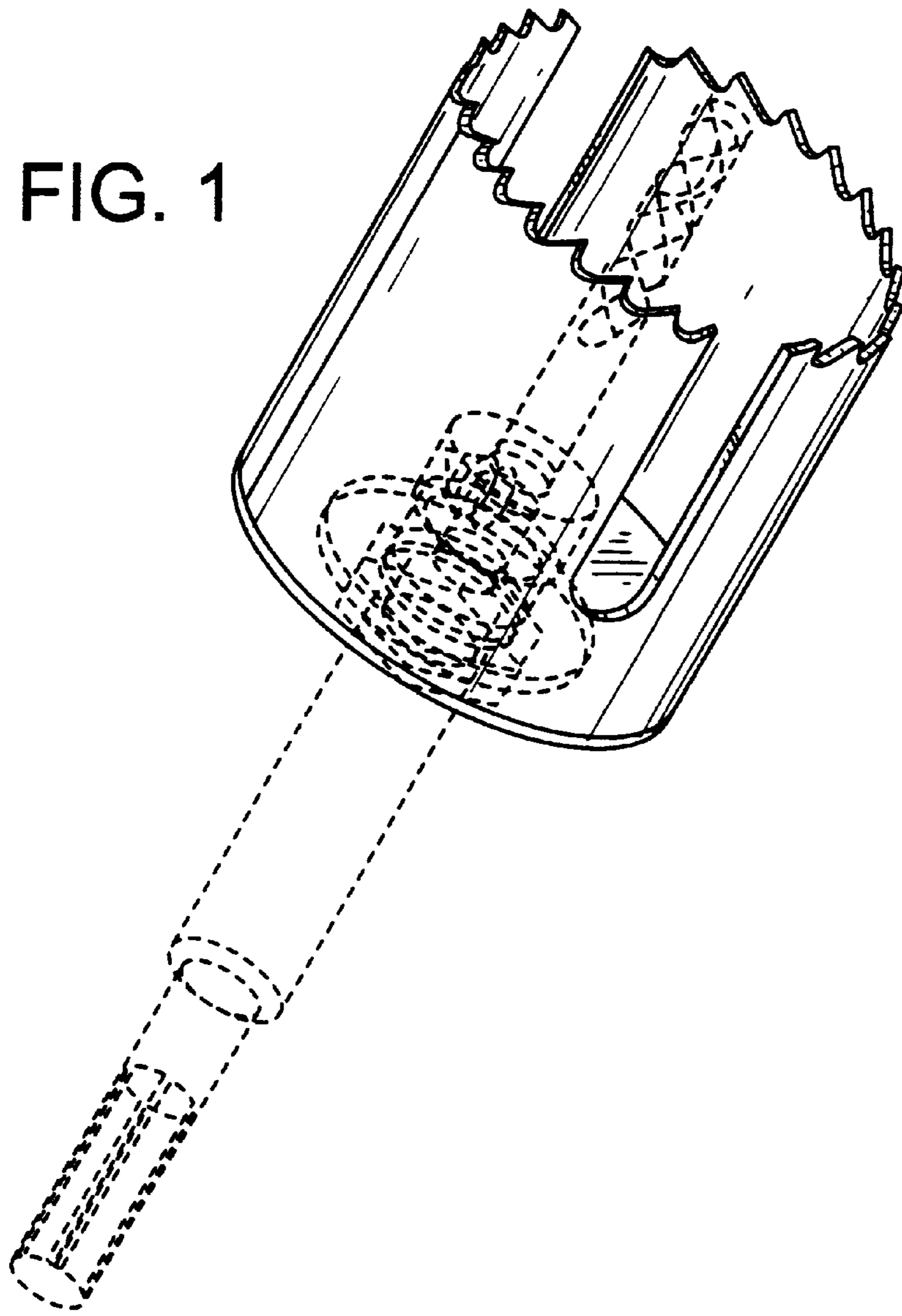


FIG. 4

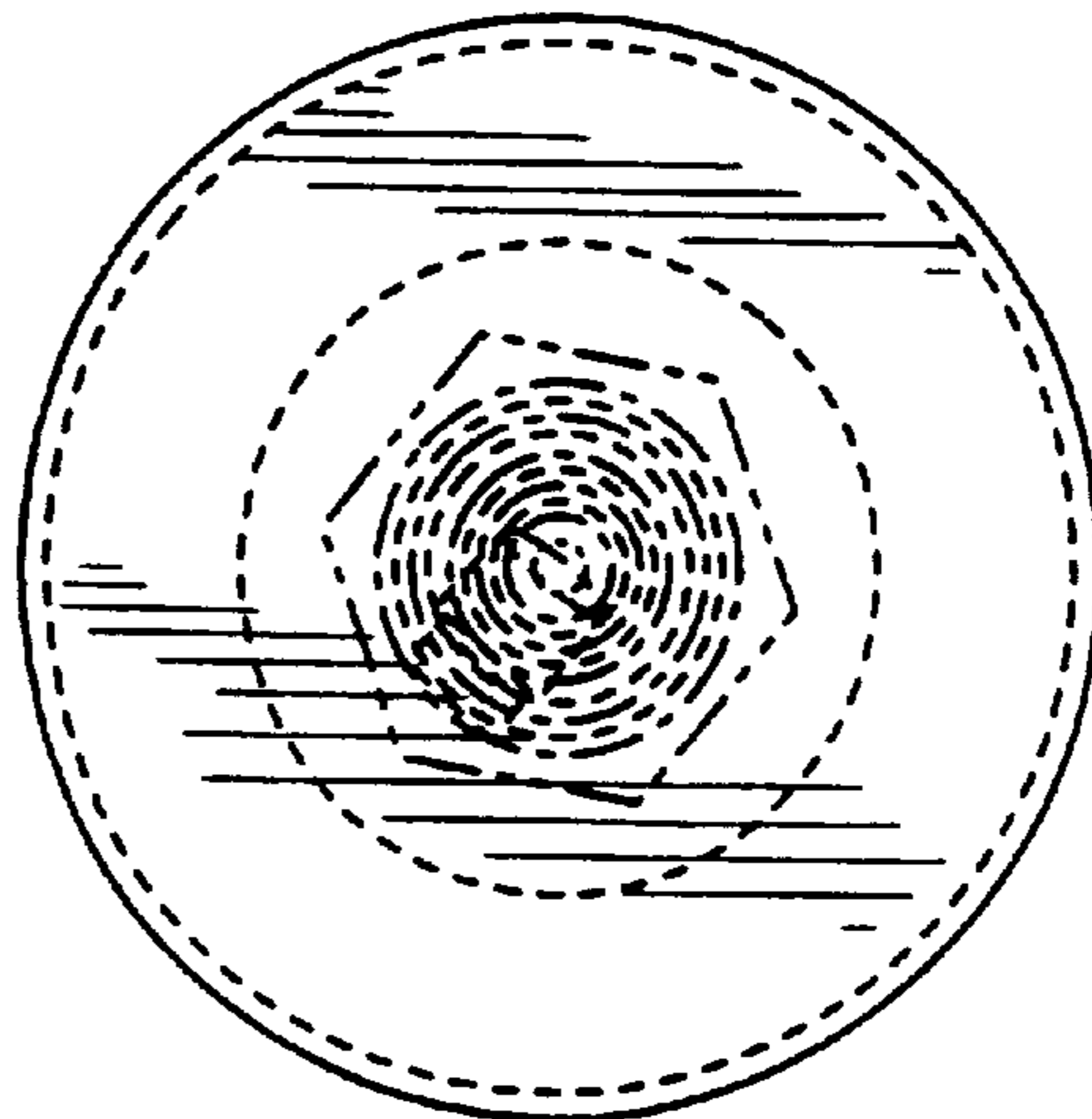


FIG. 2

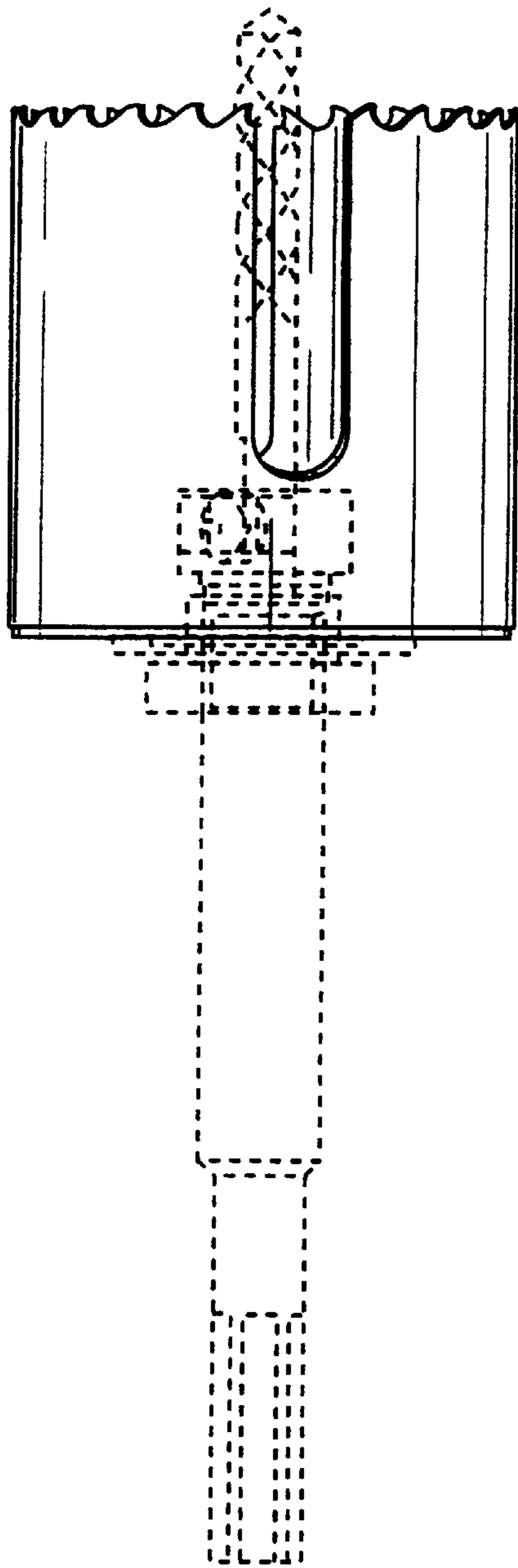
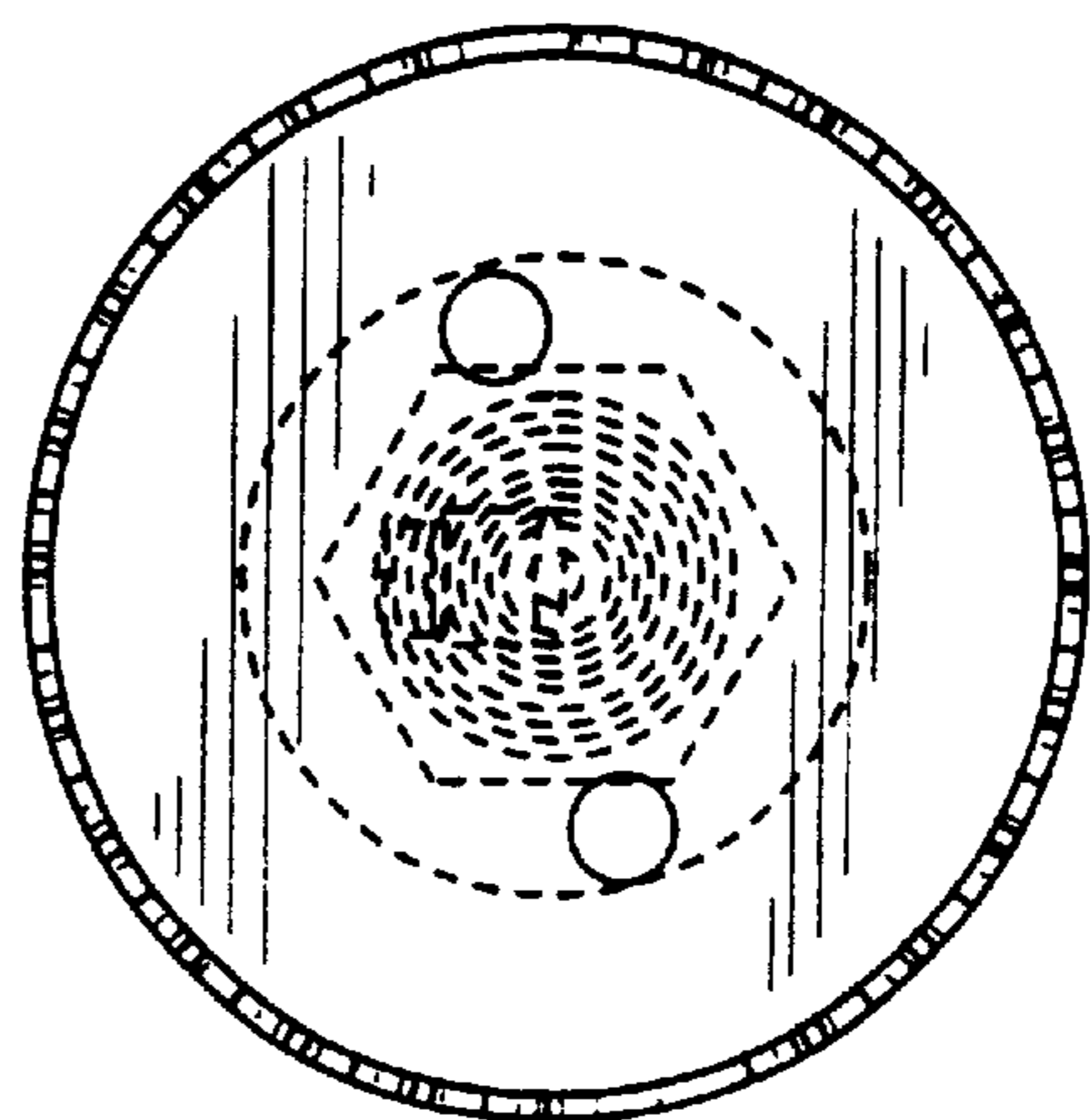


FIG. 3



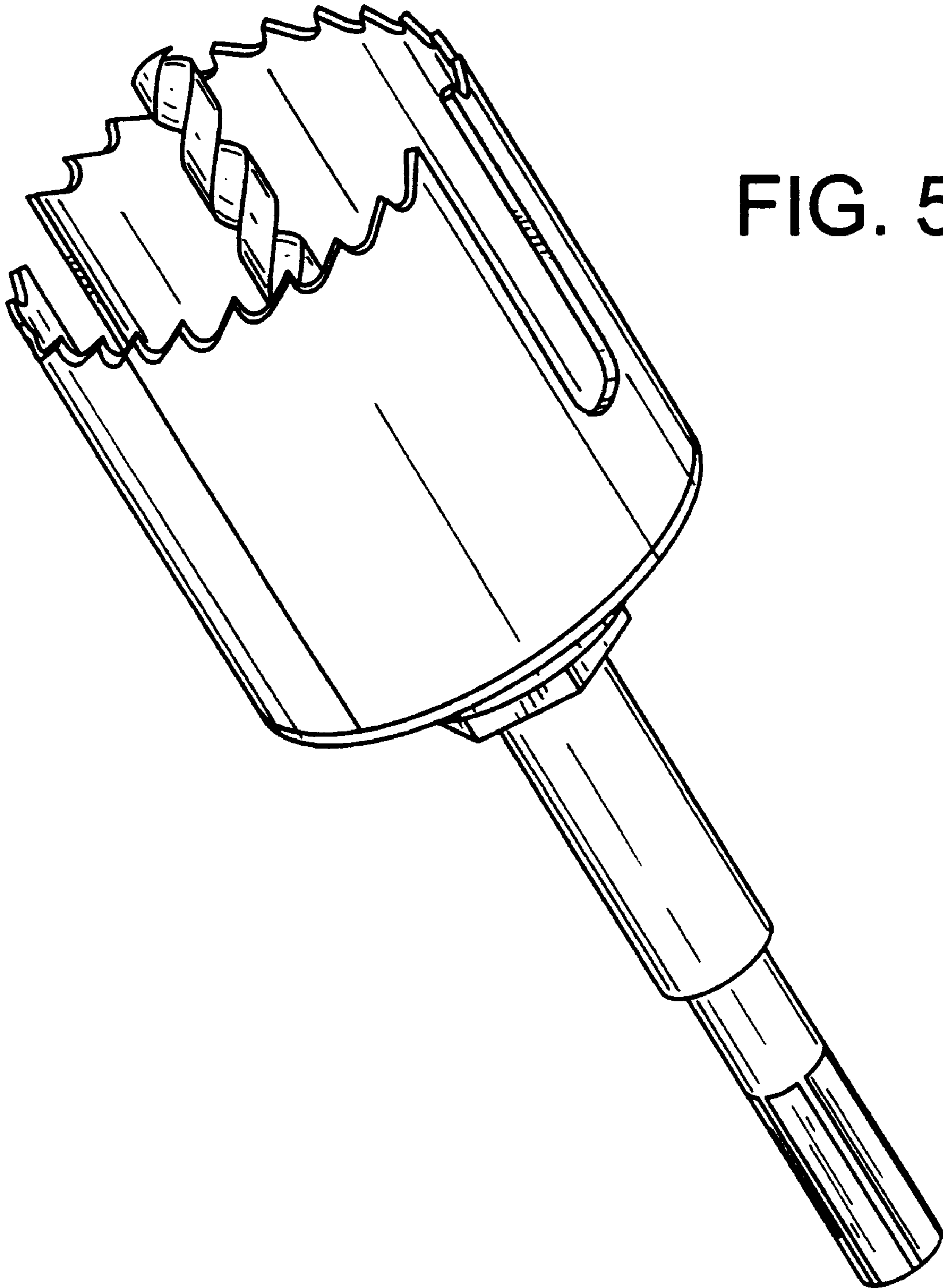


FIG. 5