



US00D438218S

(12) **United States Design Patent**
McIlwraith

(10) **Patent No.:** **US D438,218 S**

(45) **Date of Patent:** **** Feb. 27, 2001**

(54) **FRONT END LOADER**

(75) **Inventor:** **Douglas William McIlwraith**, Burleigh
Heads (AU)

(73) **Assignee:** **Jaden Charters Pty Ltd**, Queensland
(AU)

(**) **Term:** **14 Years**

(21) **Appl. No.:** **29/106,888**

(22) **Filed:** **Jun. 22, 1999**

(30) **Foreign Application Priority Data**

Dec. 23, 1998 (AU) 4033/98

(51) **LOC (7) Cl.** **15-04**

(52) **U.S. Cl.** **D15/25**

(58) **Field of Search** D15/10, 22-26;
37/421, 442; 180/89.1, 89.12, 89.13; 414/680,
685, 743

(56) **References Cited**

U.S. PATENT DOCUMENTS

D. 195,254 * 5/1963 Keller et al. D15/25
D. 201,126 * 5/1965 Kromer D15/25

D. 294,032 * 2/1988 Whiffin D15/25
D. 359,497 * 6/1995 Rayner D15/25
3,831,690 * 8/1974 Yamaoka et al. D15/25
3,850,473 * 11/1974 Huber 180/89.1
4,705,449 * 11/1987 Christianson et al. 414/685

* cited by examiner

Primary Examiner—Sandra L. Morris

(74) *Attorney, Agent, or Firm*—Iandiorio & Teska

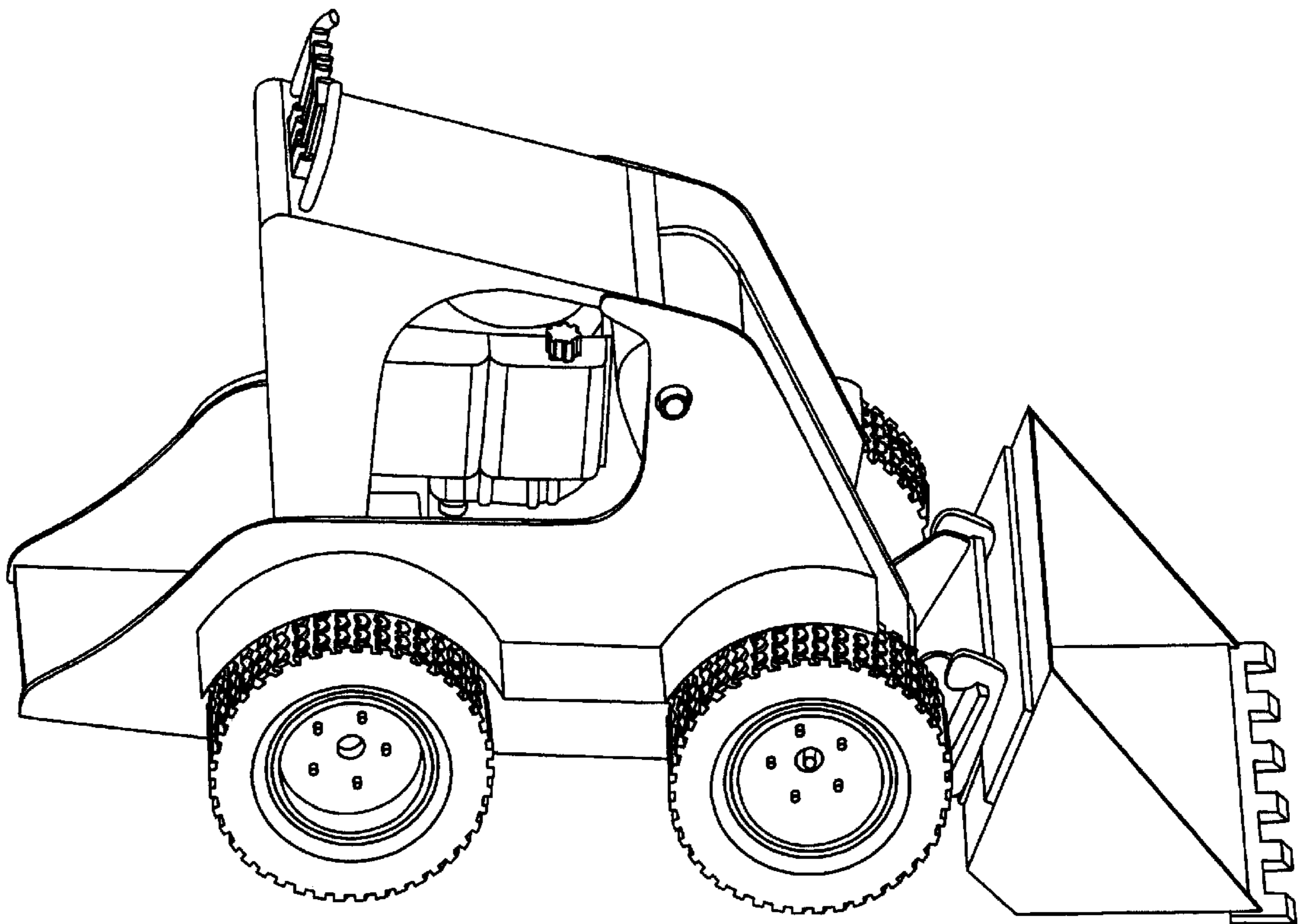
(57) **CLAIM**

The ornamental design for a front end loader, as shown and described.

DESCRIPTION

FIG. 1 is a right side perspective view of a front end loader, showing my new design;
FIG. 2 is a front perspective view thereof;
FIG. 3 is a left side elevational view thereof;
FIG. 4 is a rear perspective view thereof;
FIG. 5 is a right side perspective view thereof with console panel opened; and,
FIG. 6 is a bottom plan view thereof.
FIGS. 2-4 are shown on a reduced scale.

1 Claim, 4 Drawing Sheets



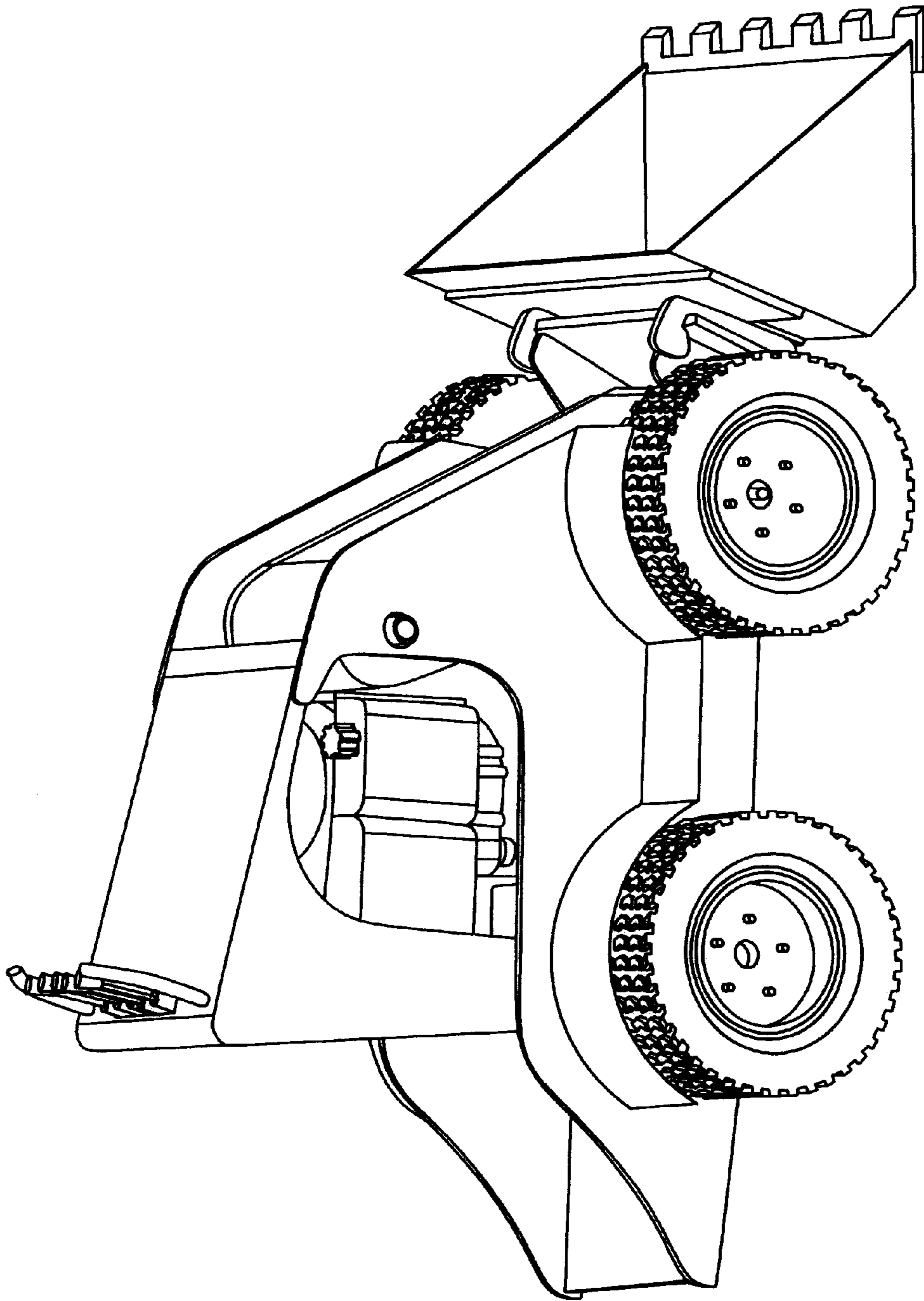


FIG. 1

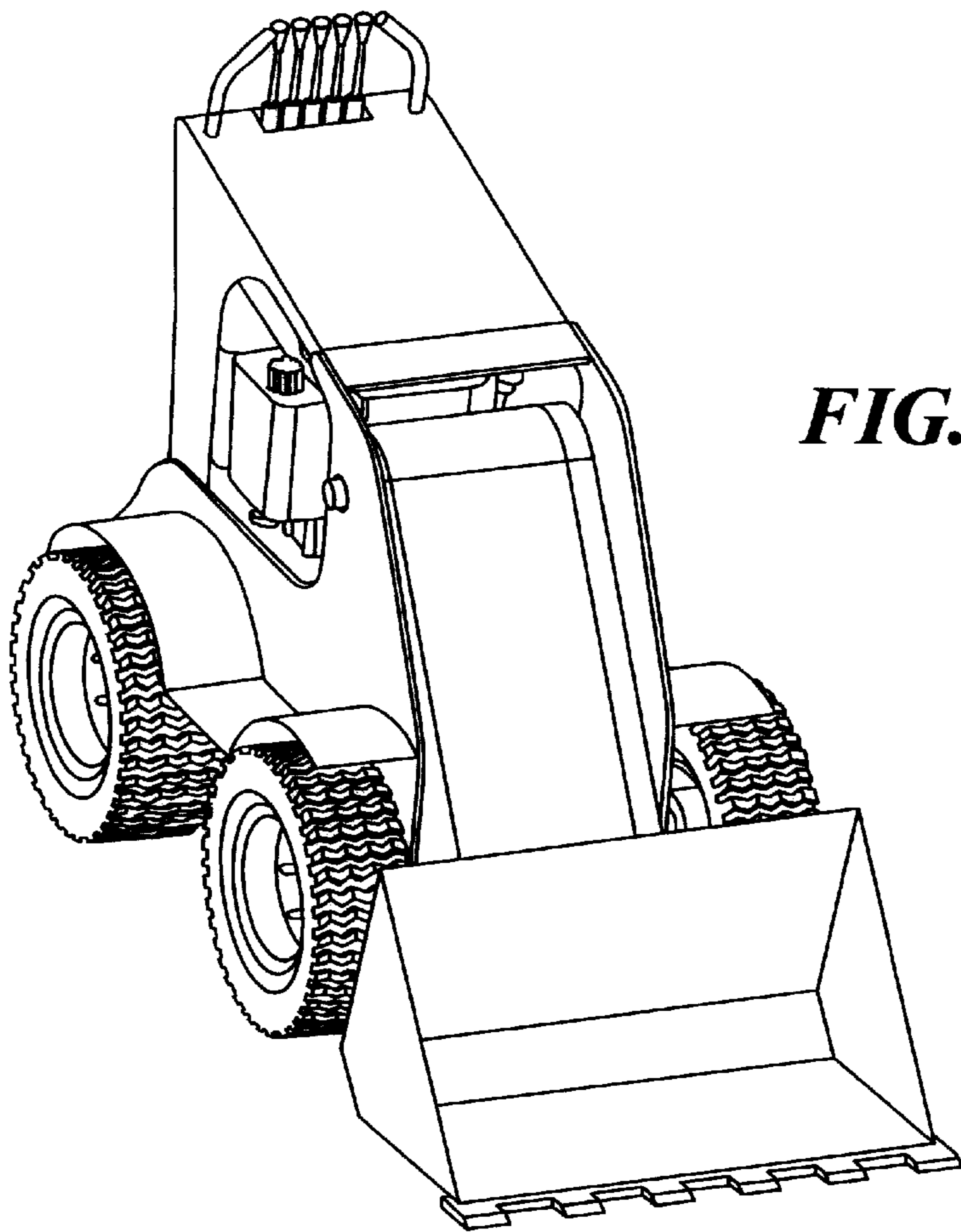


FIG. 2

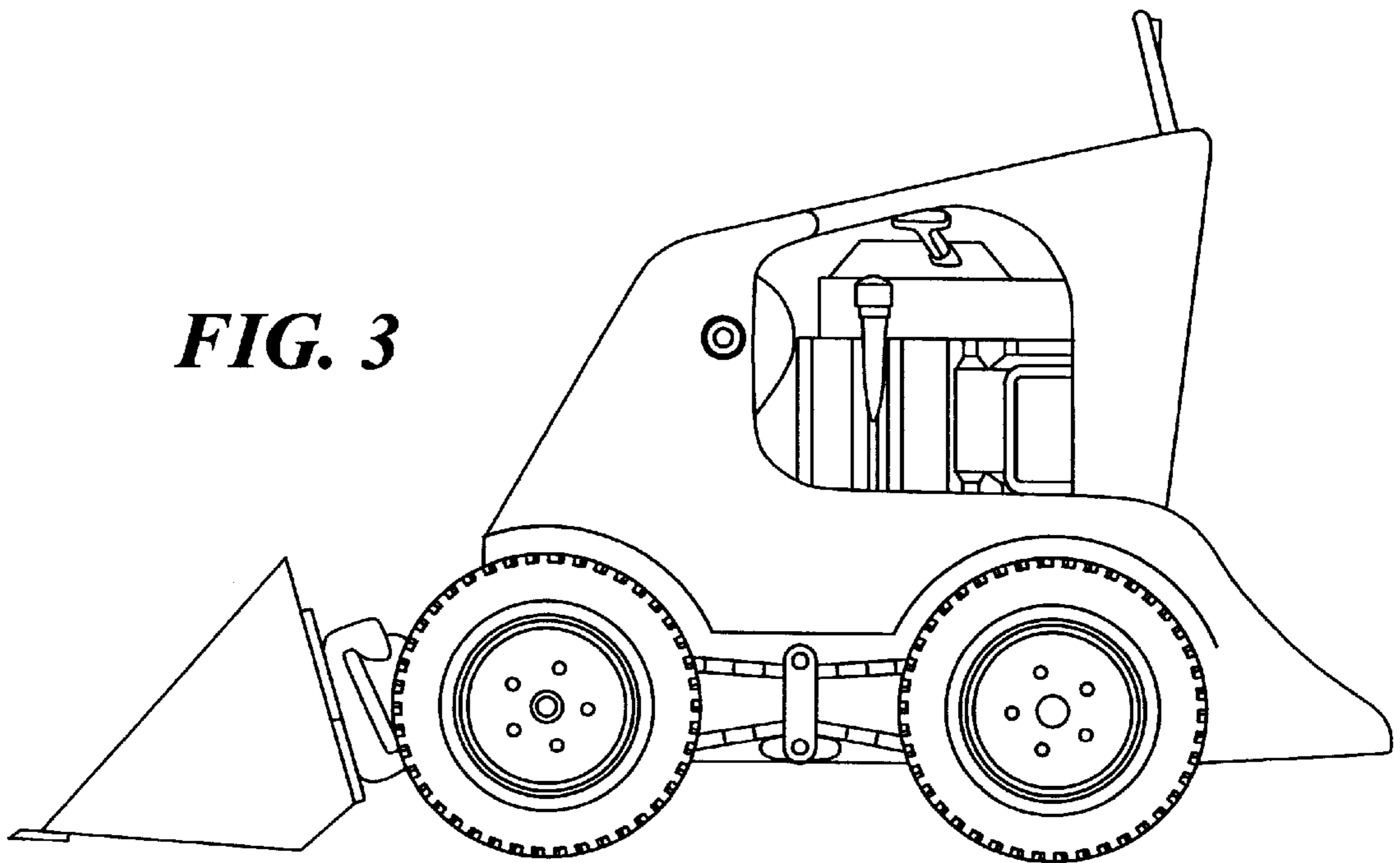


FIG. 3

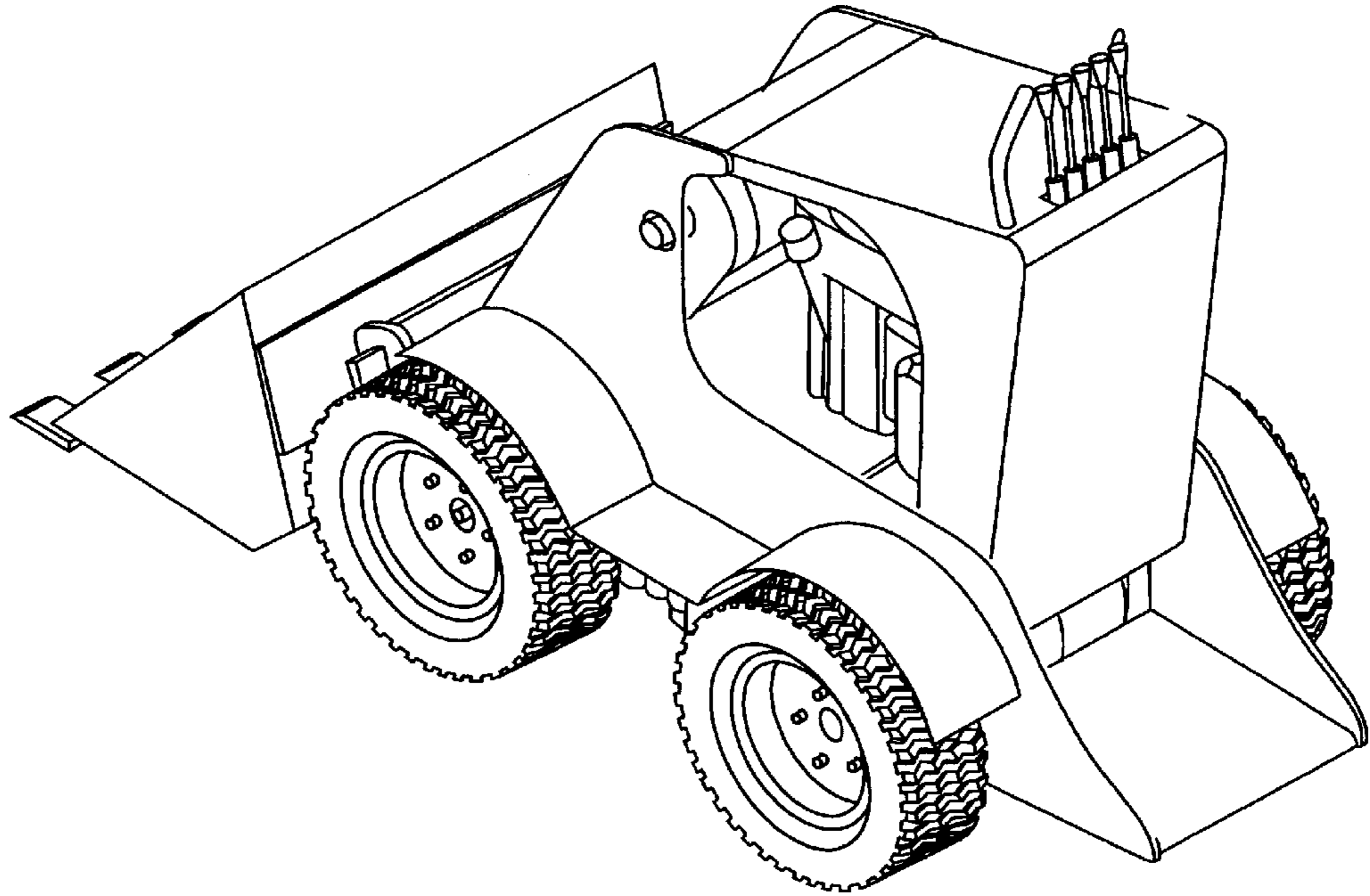


FIG. 4

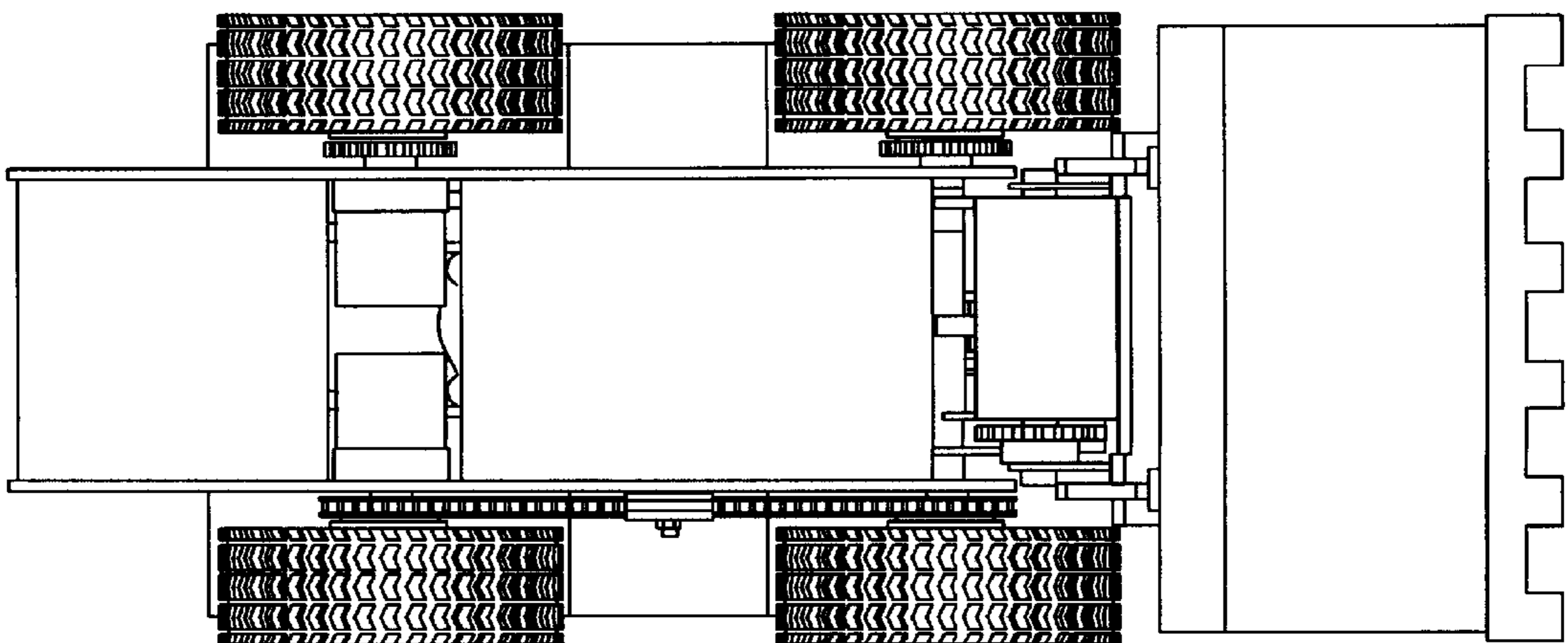


FIG. 6

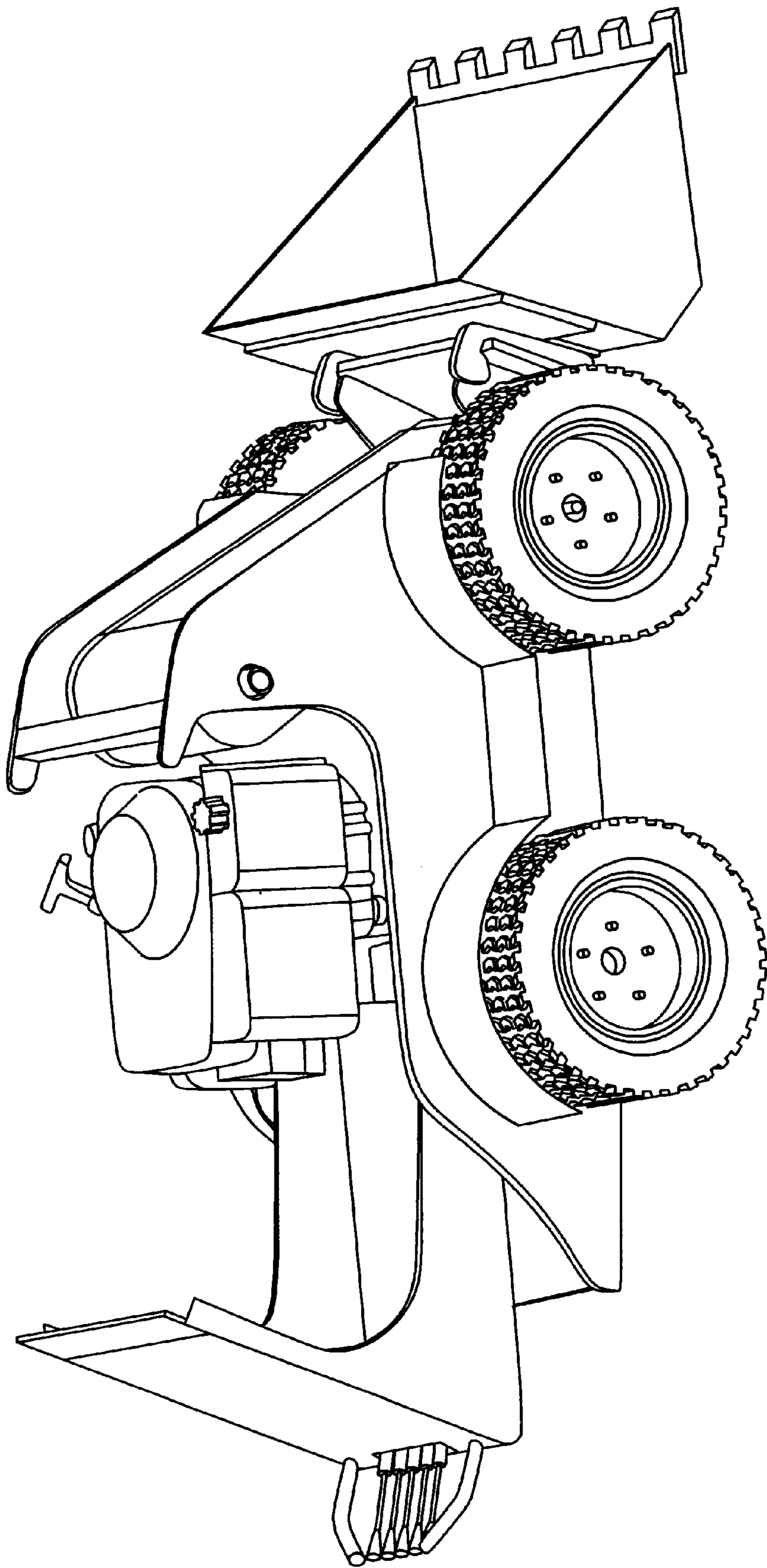


FIG.5