



US00D438216S

(12) **United States Design Patent**
Taylor et al.

(10) **Patent No.: US D438,216 S**

(45) **Date of Patent: ** Feb. 27, 2001**

(54) **GASOLINE DISPENSING SYSTEM**

(75) Inventors: **Ken W. Taylor**, Oak Ridge, NC (US);
Scott R. Negley, III, Salisbury, MD
(US); **David Eric Embertson**, Austin,
TX (US); **Gregg Robert Draudt**, Stow,
MA (US)

(73) Assignee: **Dresser Equipment Group, Inc.**,
Carrollton, TX (US)

(**) Term: **14 Years**

(21) Appl. No.: **29/111,299**

(22) Filed: **Sep. 23, 1999**

(51) **LOC (7) Cl.** **15-02**

(52) **U.S. Cl.** **D15/9.1**

(58) **Field of Search** D15/9.1, 9.2; 137/234.6;
222/23, 26, 28, 71, 74, 372; 141/198; 251/129.64,
129.04; D10/96; D99/28; D14/105, 107;
194/206; D25/56

(56) **References Cited**

U.S. PATENT DOCUMENTS

- D. 237,823 * 11/1975 Gray D15/9.2
- D. 244,563 * 5/1977 Taylor et al. D15/9.1
- D. 258,438 * 3/1981 Gray D15/9.2

- D. 258,440 * 3/1981 Gray D15/9.2
- D. 260,897 * 9/1981 Todd D15/9.2
- D. 413,124 8/1999 McSpadden et al. D15/9.1
- D. 413,311 8/1999 Blalock D14/105
- D. 413,336 8/1999 Keane et al. D15/9.1
- D. 413,337 8/1999 Keane et al. D15/9.2
- D. 413,610 9/1999 McSpadden et al. D15/9.2
- D. 413,901 9/1999 Keane et al. D15/9.1
- D. 413,902 9/1999 McSpadden et al. D15/9.2
- D. 414,192 9/1999 McSpadden et al. D15/9.1
- 5,651,478 * 7/1997 Tatsuno 222/71

* cited by examiner

Primary Examiner—Ralf Seifert

(74) *Attorney, Agent, or Firm*—Haynes and Boone LLP

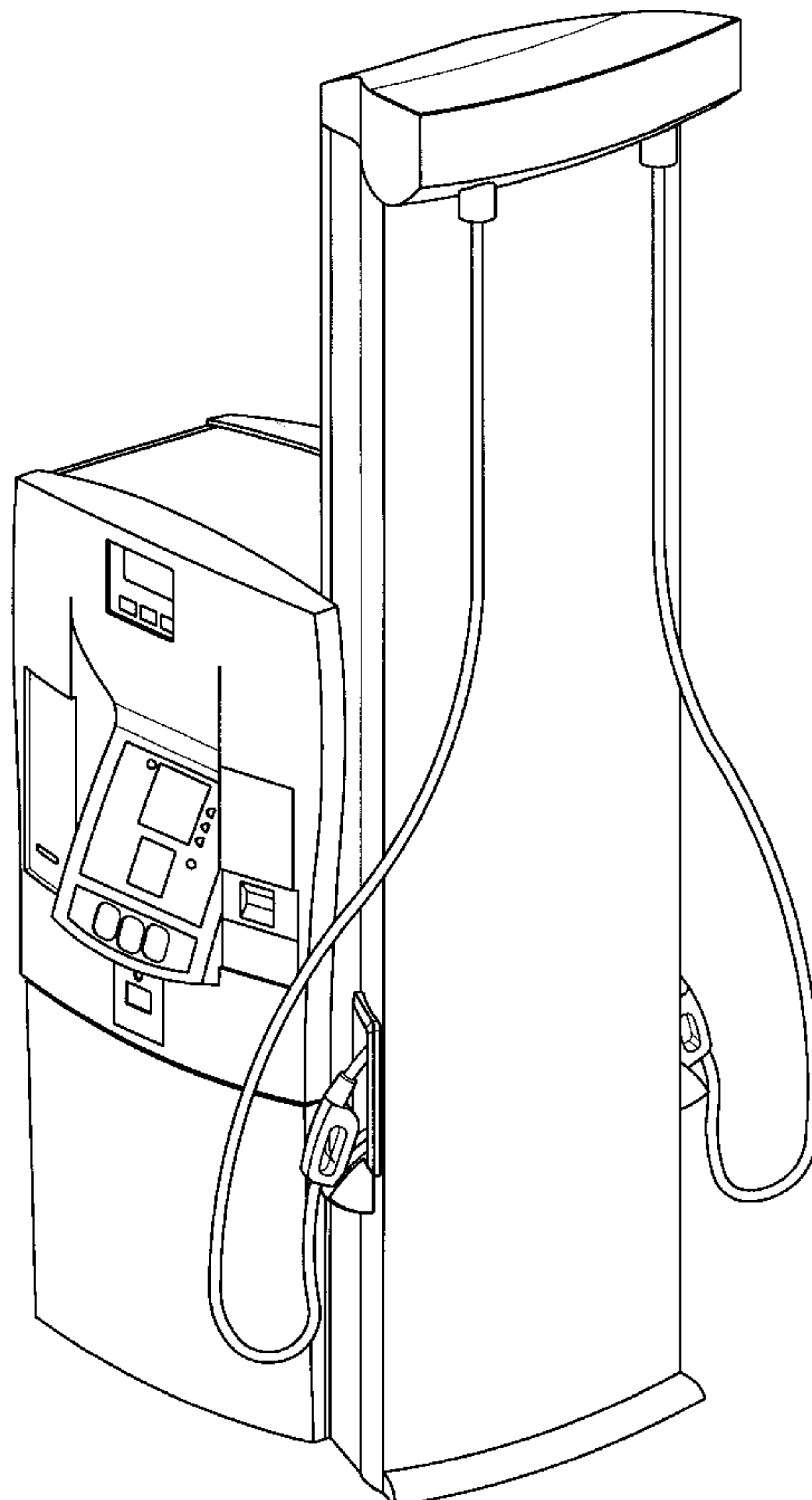
(57) **CLAIM**

The ornamental design for a gasoline dispensing system, as shown and described.

DESCRIPTION

FIG. 1 is a perspective view of the gasoline dispensing system showing our new design;
FIG. 2 is a front elevational view thereof;
FIG. 3 is a right side elevational view thereof;
FIG. 4 is a rear elevational view;
FIG. 5 is a left side elevational view thereof; and,
FIG. 6 is a top plan view thereof.

1 Claim, 6 Drawing Sheets



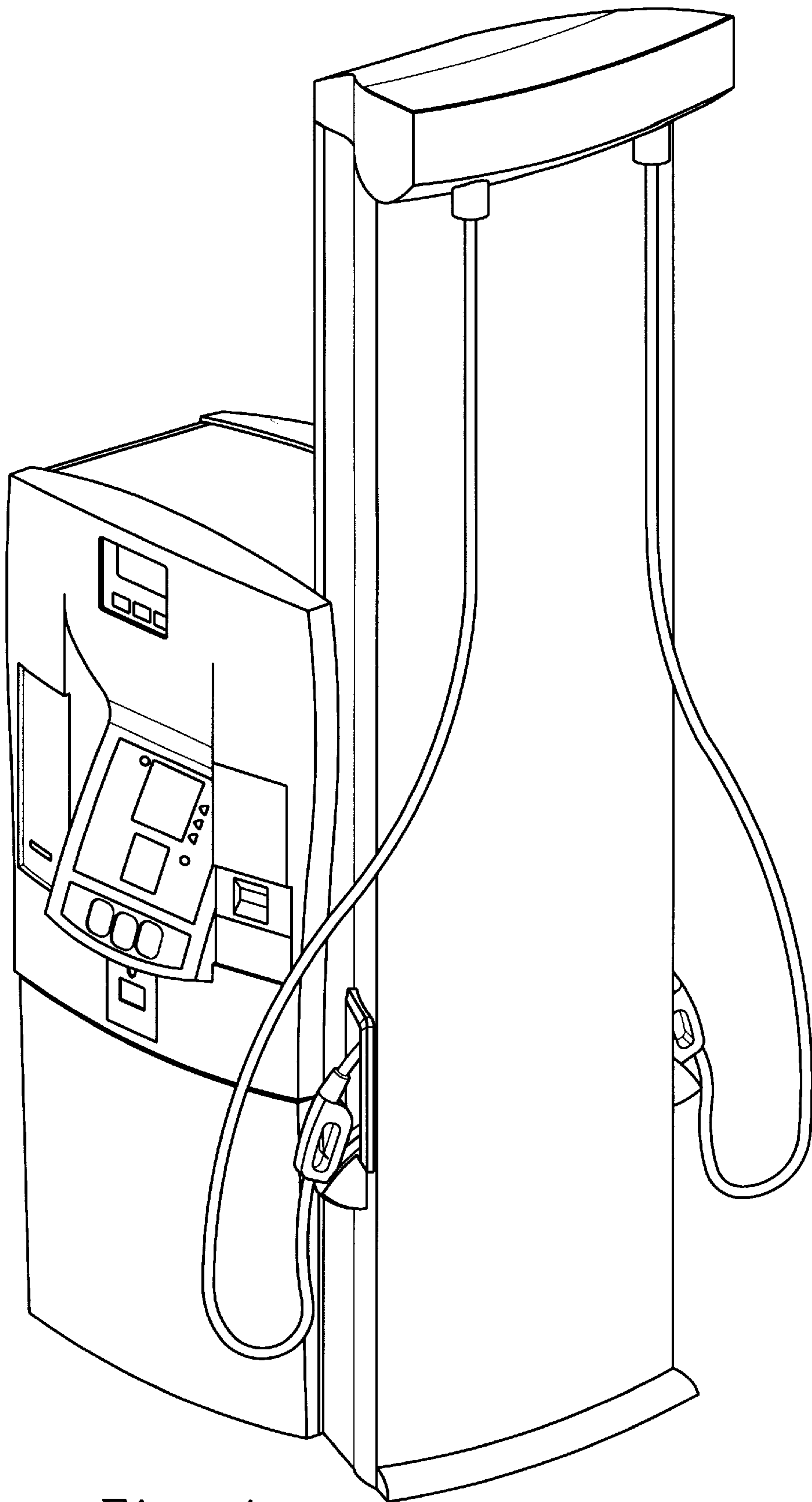


Fig. 1

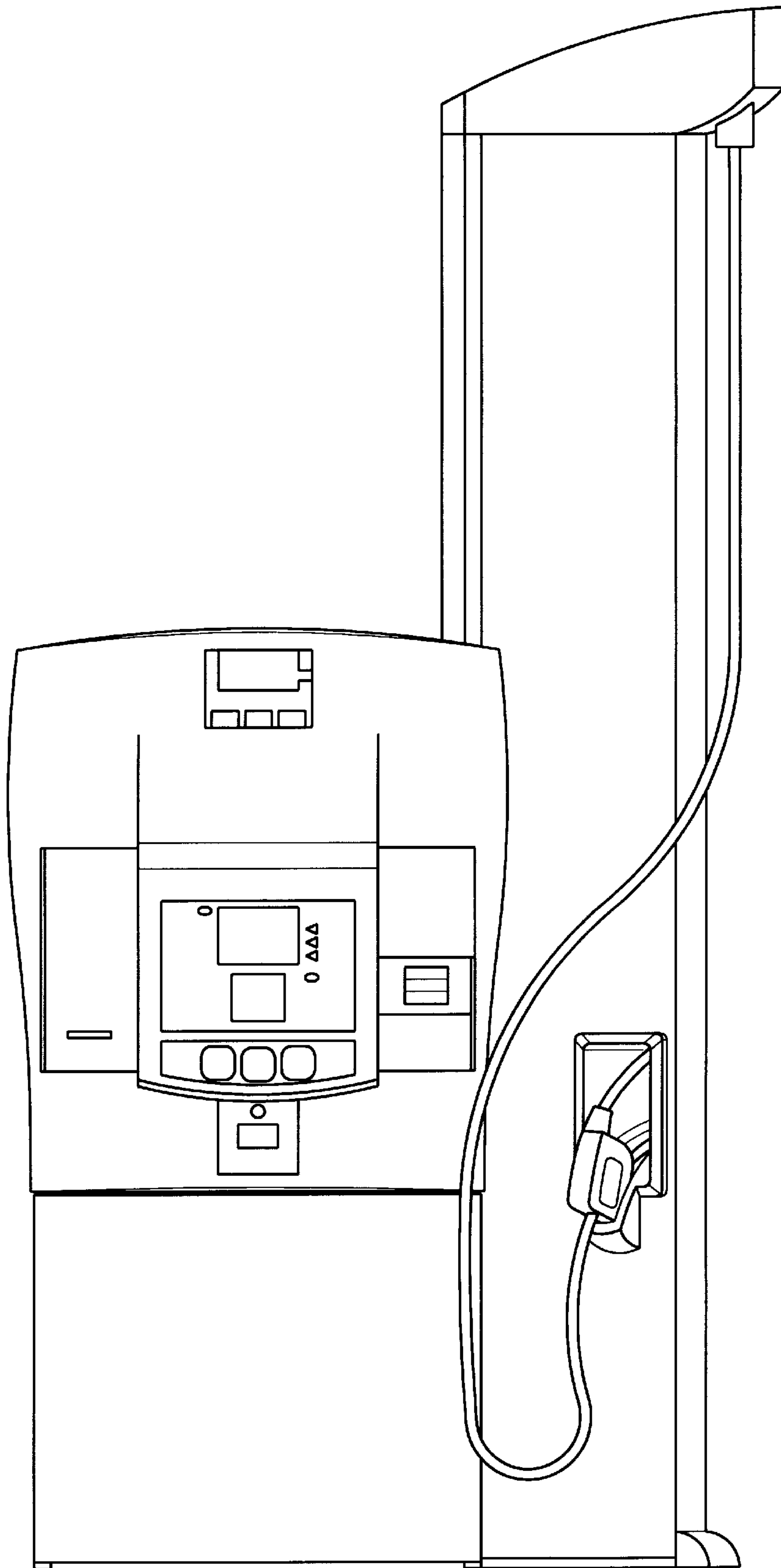


Fig. 2

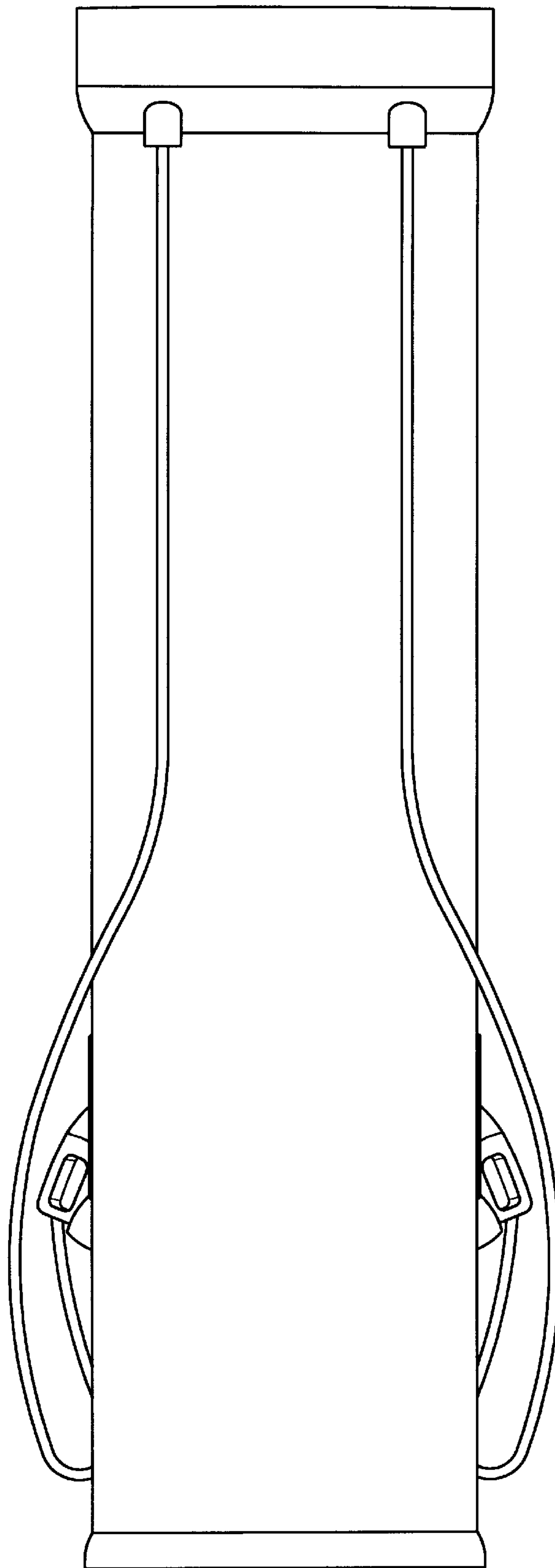


Fig. 3

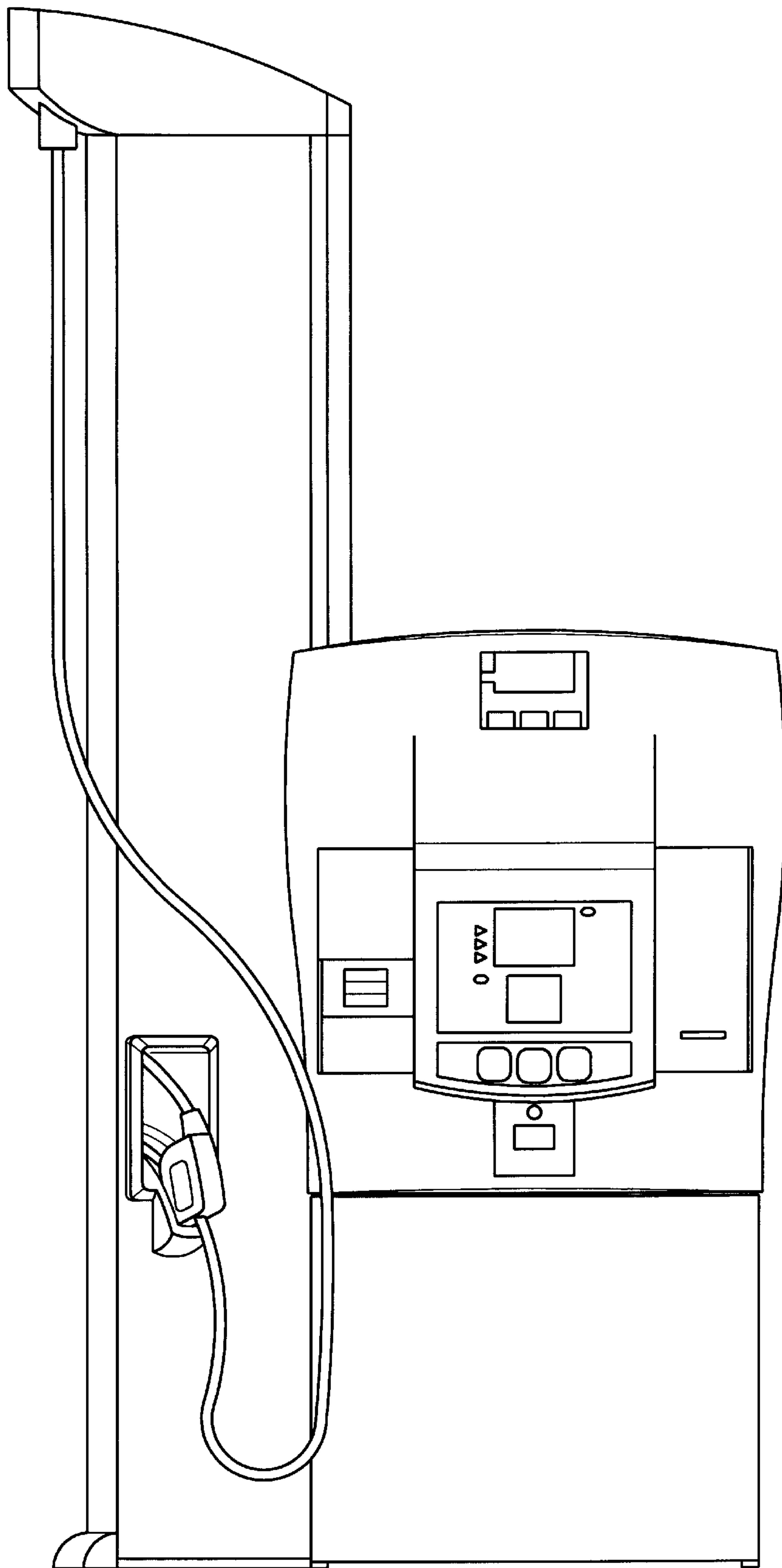


Fig. 4

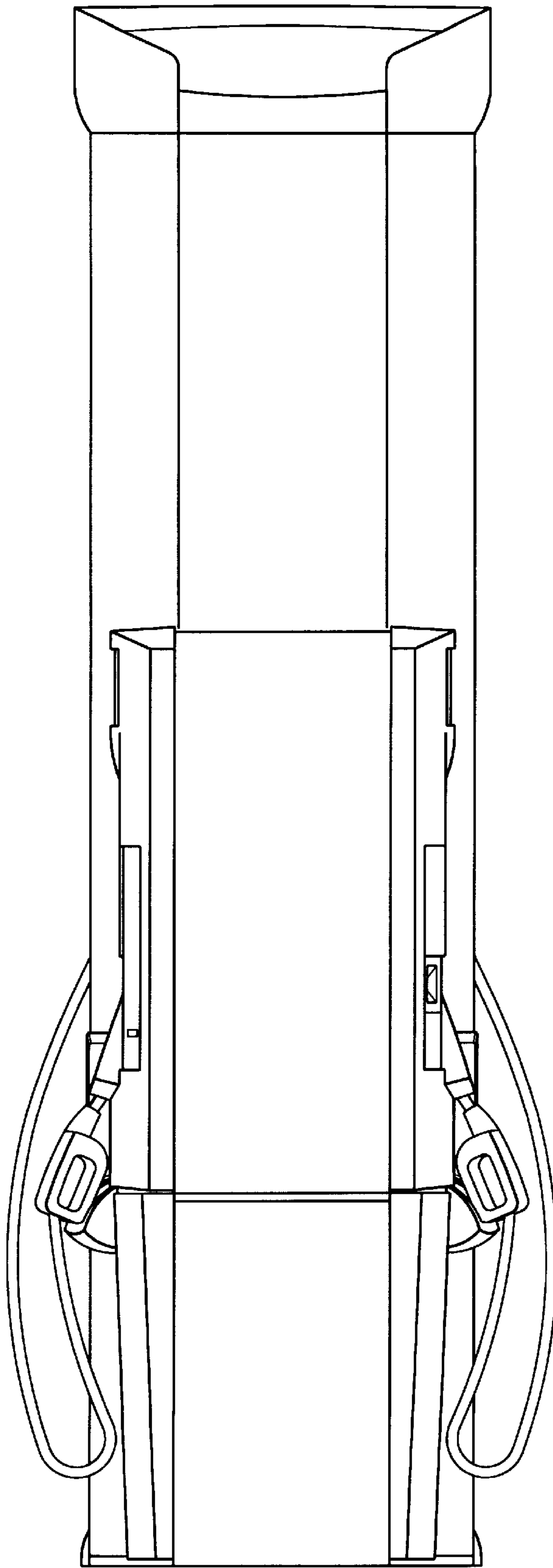


Fig. 5

Fig. 6

