



US00D438215S

(12) **United States Design Patent**  
**Kaneko**

(10) **Patent No.:** **US D438,215 S**

(45) **Date of Patent:** **\*\* Feb. 27, 2001**

(54) **RODLESS CYLINDER**

(75) **Inventor:** **Junya Kaneko, Abiko (JP)**

(73) **Assignee:** **SMC Kabushiki Kaisha, Tokyo (JP)**

(\*\*) **Term:** **14 Years**

(21) **Appl. No.:** **29/121,690**

(22) **Filed:** **Apr. 12, 2000**

(30) **Foreign Application Priority Data**

Oct. 18, 1999 (JP) ..... 11-28522  
Oct. 18, 1999 (JP) ..... 11-28523

(51) **LOC (7) Cl.** ..... **15-02**

(52) **U.S. Cl.** ..... **D15/7**

(58) **Field of Search** ..... D15/5, 7-9; 417/403,  
417/404, 360; 91/275

(56) **References Cited**

**U.S. PATENT DOCUMENTS**

D. 303,393 \* 9/1989 Stoll ..... D15/7  
D. 373,364 \* 9/1996 Abe ..... D15/7

D. 378,214 \* 2/1997 Ikumi ..... D15/7  
D. 378,680 \* 4/1997 Ikumi ..... D15/7  
D. 408,420 \* 4/1999 Butler ..... D15/7  
D. 417,457 \* 12/1999 Asahara ..... D15/7

\* cited by examiner

*Primary Examiner*—Ralf Seifert

(74) *Attorney, Agent, or Firm*—Frishauf, Holtz, Goodman,  
Langer & Chick, P.C.

(57) **CLAIM**

The ornamental design for a rodless cylinder, as shown.

**DESCRIPTION**

FIG. 1 is a top, front and left-side perspective view of a rodless cylinder showing a first embodiment of my new design;

FIG. 2 is a front view thereof;

FIG. 3 is a rear view thereof;

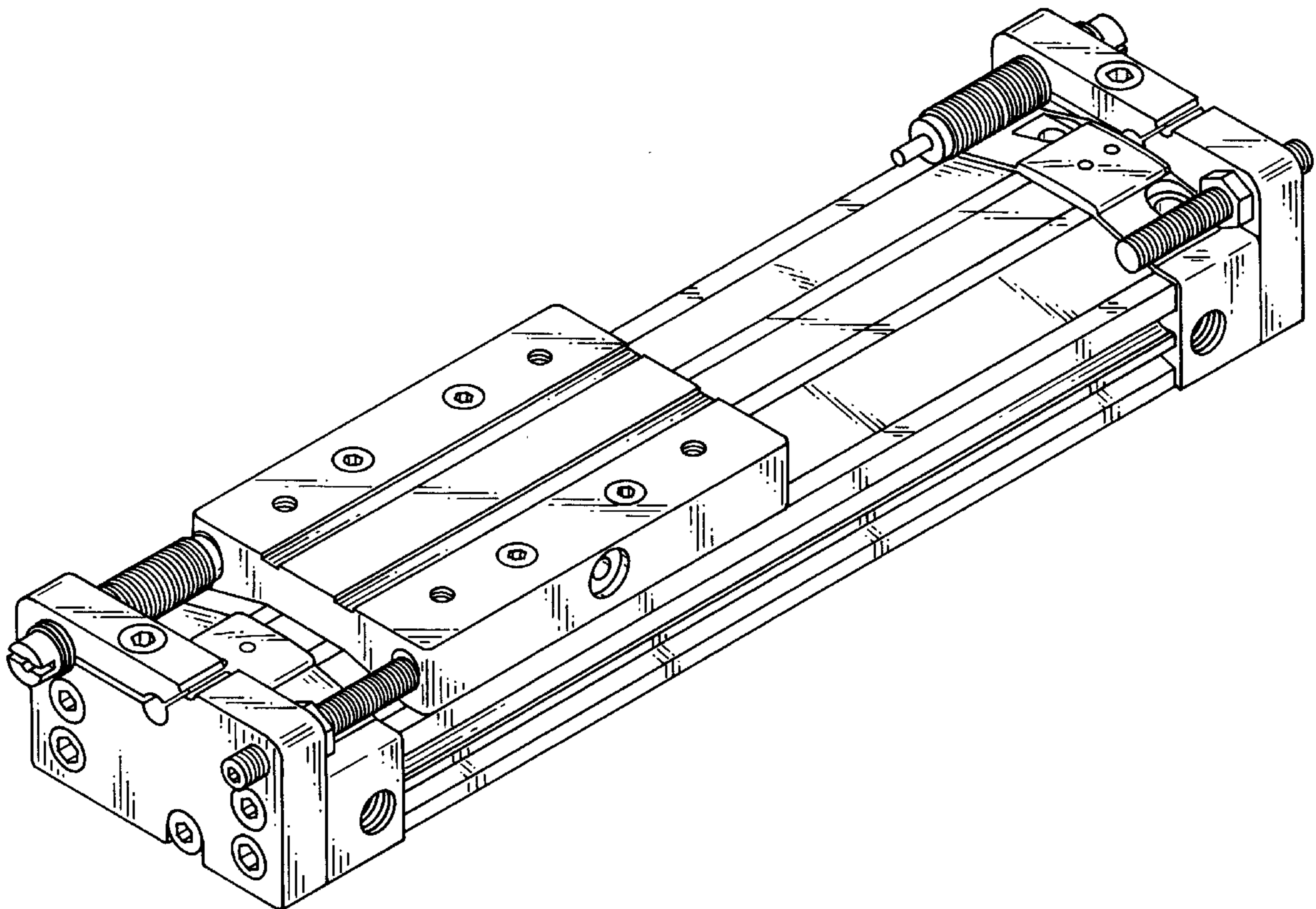
FIG. 4 is a left side view thereof;

FIG. 5 is a right side view thereof;

FIG. 6 is a top plan view thereof; and,

FIG. 7 is a bottom plan view thereof.

**1 Claim, 3 Drawing Sheets**



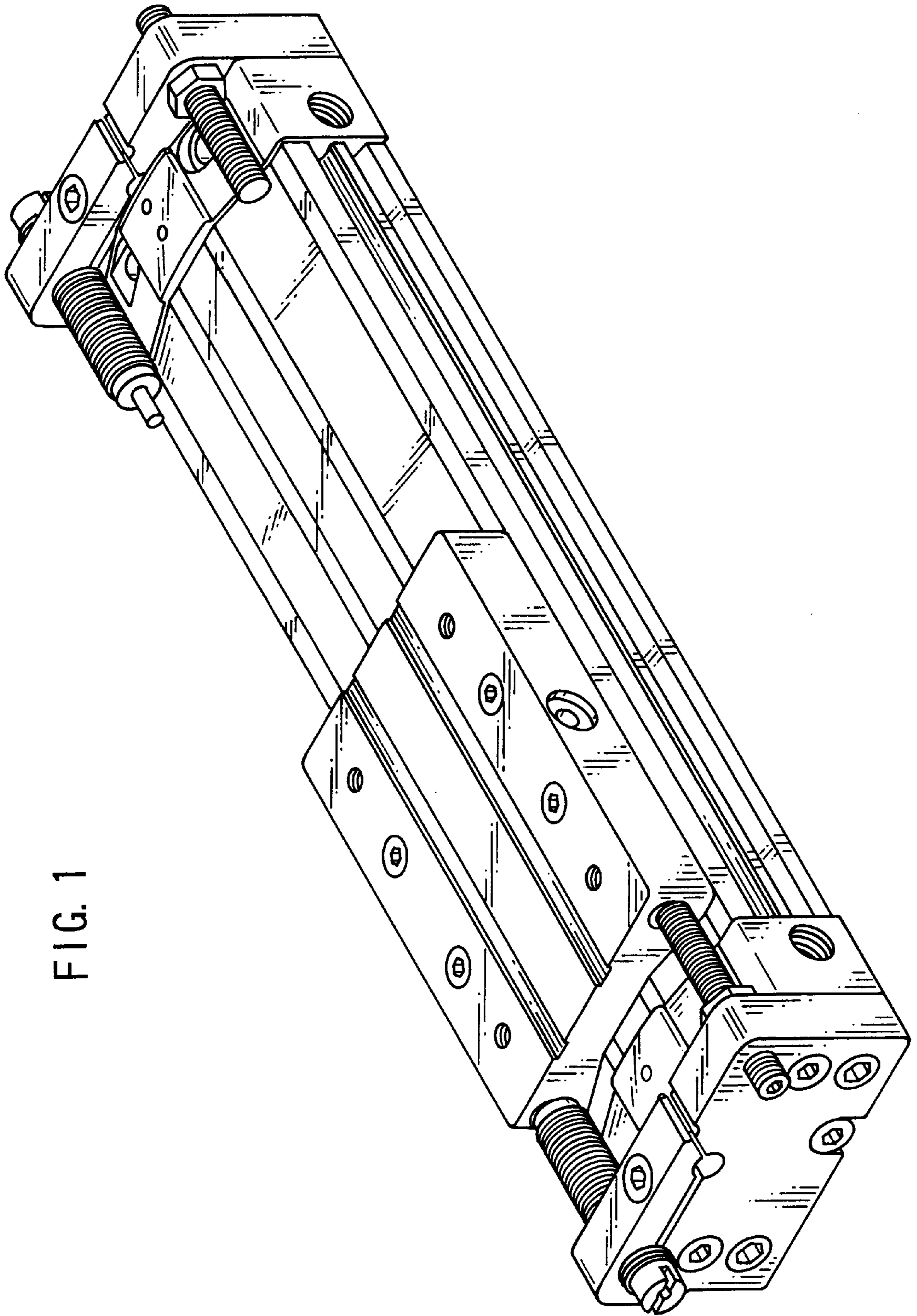


FIG. 1

FIG. 2

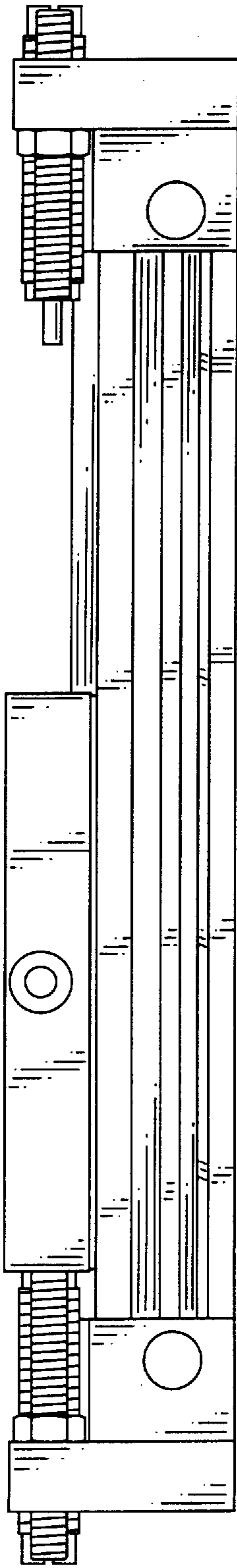


FIG. 3

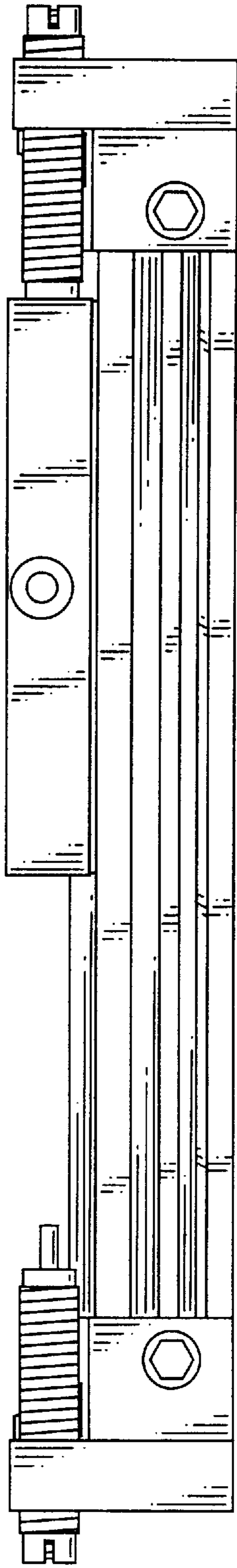


FIG. 5

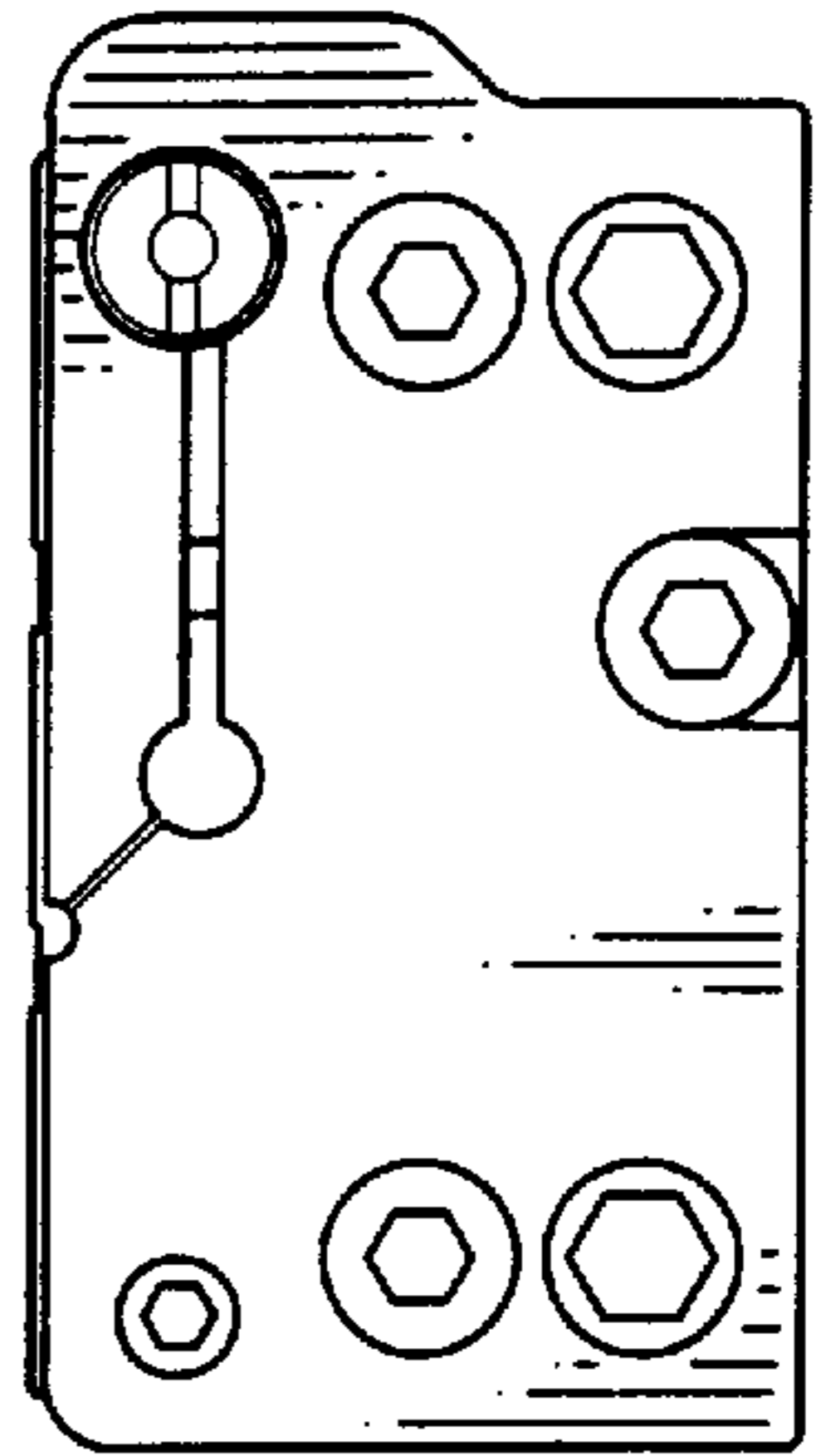


FIG. 4

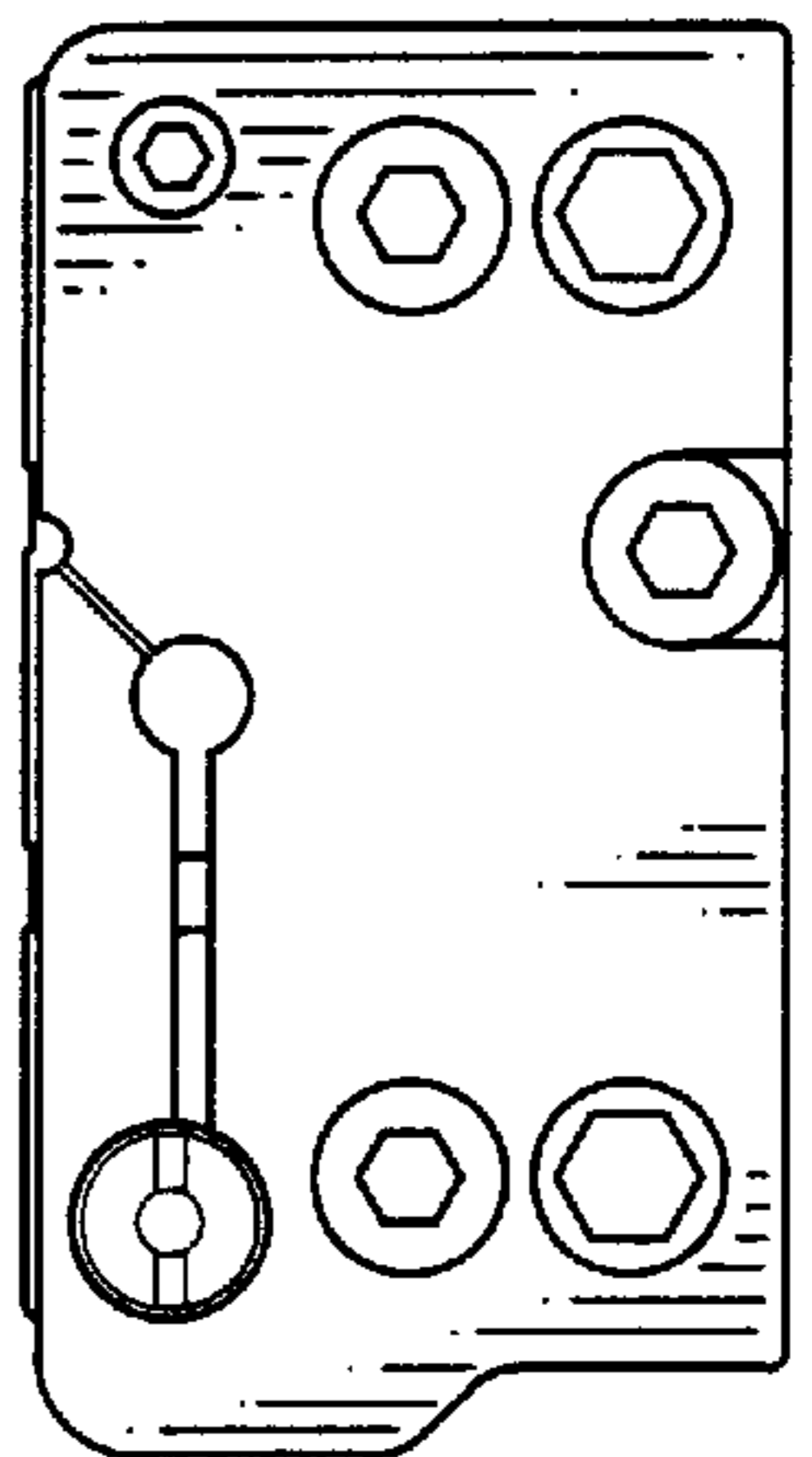




FIG. 6

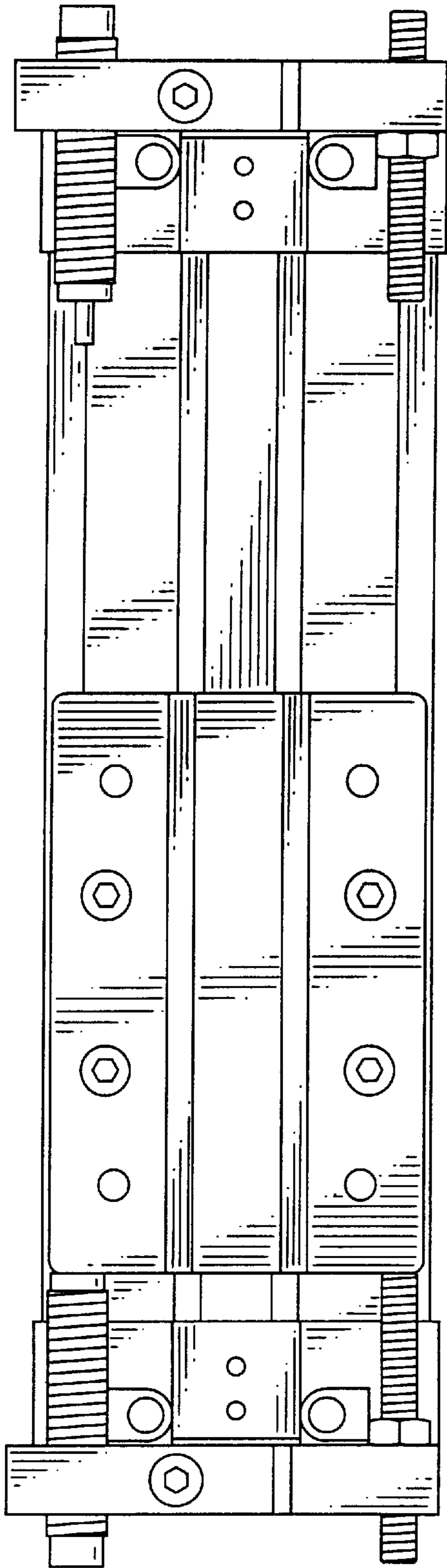


FIG. 7

