



US00D438214S

(12) **United States Design Patent**  
**Gieseke et al.**

(10) **Patent No.:** **US D438,214 S**

(45) **Date of Patent:** **\*\* Feb. 27, 2001**

- (54) **FILTER ELEMENT**
- (75) Inventors: **Steven Scott Gieseke; Robert Allen Dushek**, both of Richfield, MN (US)
- (73) Assignee: **Donaldson Company, Inc.**, Minneapolis, MN (US)
- (\*\*) Term: **14 Years**
- (21) Appl. No.: **29/102,101**
- (22) Filed: **Mar. 17, 1999**
- (51) **LOC (7) Cl.** ..... **15-01**
- (52) **U.S. Cl.** ..... **D15/5**
- (58) **Field of Search** ..... D15/5; 123/198; D23/209, 365, 355; 140/71 C; 55/385.5, 498, 502, 510, 497, 486, 501; 210/136, 168; 29/426.5

- 3,672,130 6/1972 Sullivan et al. .
- 4,268,289 \* 5/1981 Polaner ..... 55/486
- 4,724,807 2/1988 Walker .
- 5,800,581 9/1998 Gielink et al. .

\* cited by examiner

*Primary Examiner*—Ralf Seifert

(74) *Attorney, Agent, or Firm*—Merchant & Gould P.C.

(57) **CLAIM**

The ornamental design for filter element, as shown and described.

**DESCRIPTION**

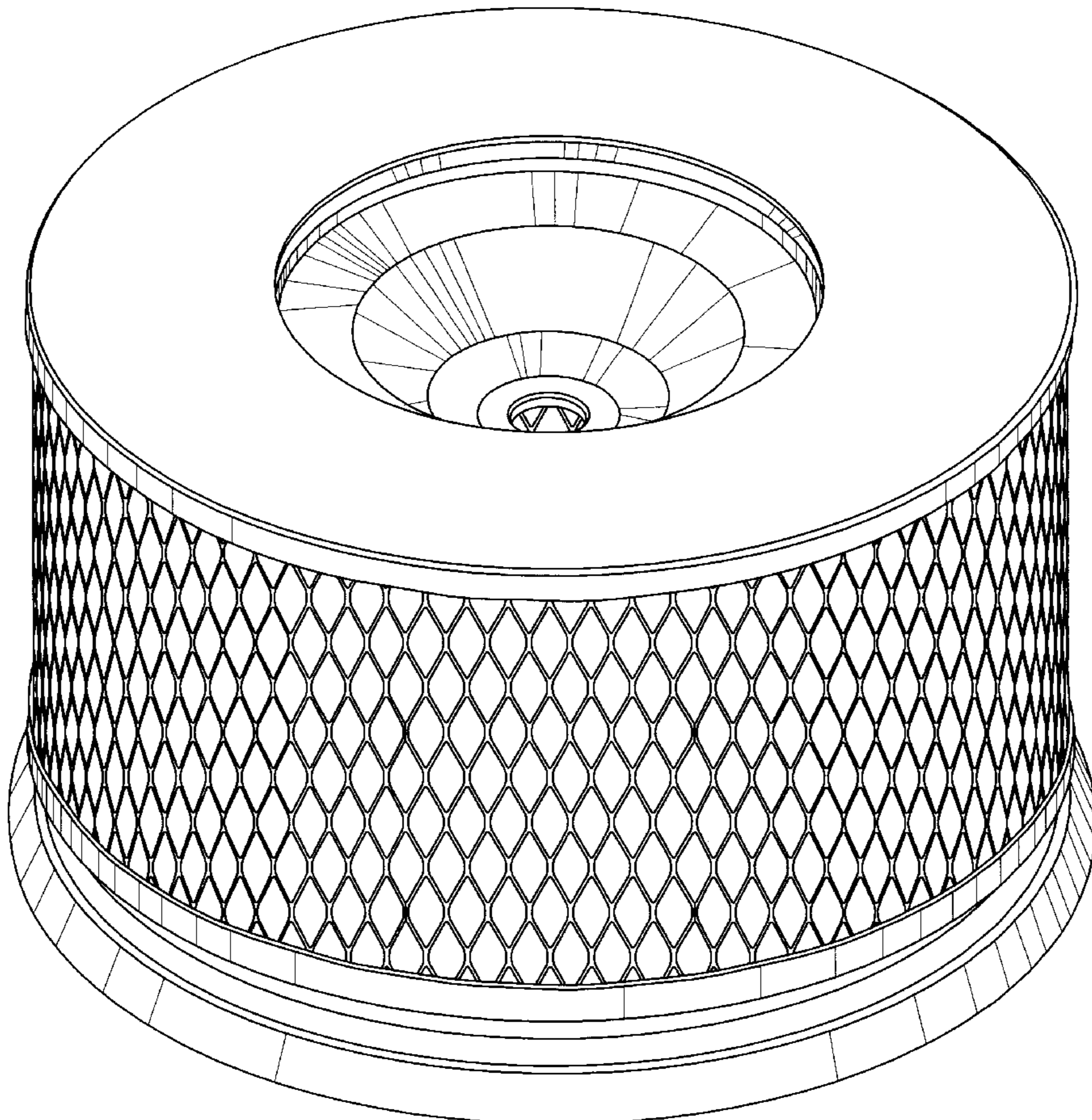
FIG. 1 is a top, front, perspective view of a filter element embodying our new design;  
 FIG. 2 is a bottom, front, perspective view of the filter element depicted in FIG. 1;  
 FIG. 3 is a front elevational view of the filter element depicted in FIG. 2, all other elevational views having an identical appearance thereto;  
 FIG. 4 is a top plan view of the filter element depicted in FIG. 2; and,  
 FIG. 5 is a bottom plan view of the filter element depicted in FIG. 2.

(56) **References Cited**

**U.S. PATENT DOCUMENTS**

- D. 401,306 11/1998 Ward et al. .
- D. 401,597 \* 11/1998 Shelton ..... D15/5
- D. 403,414 \* 12/1998 Shelton ..... D23/365
- D. 407,808 \* 4/1999 Nepsund ..... D23/365
- 3,429,108 2/1969 Larson .

**1 Claim, 5 Drawing Sheets**



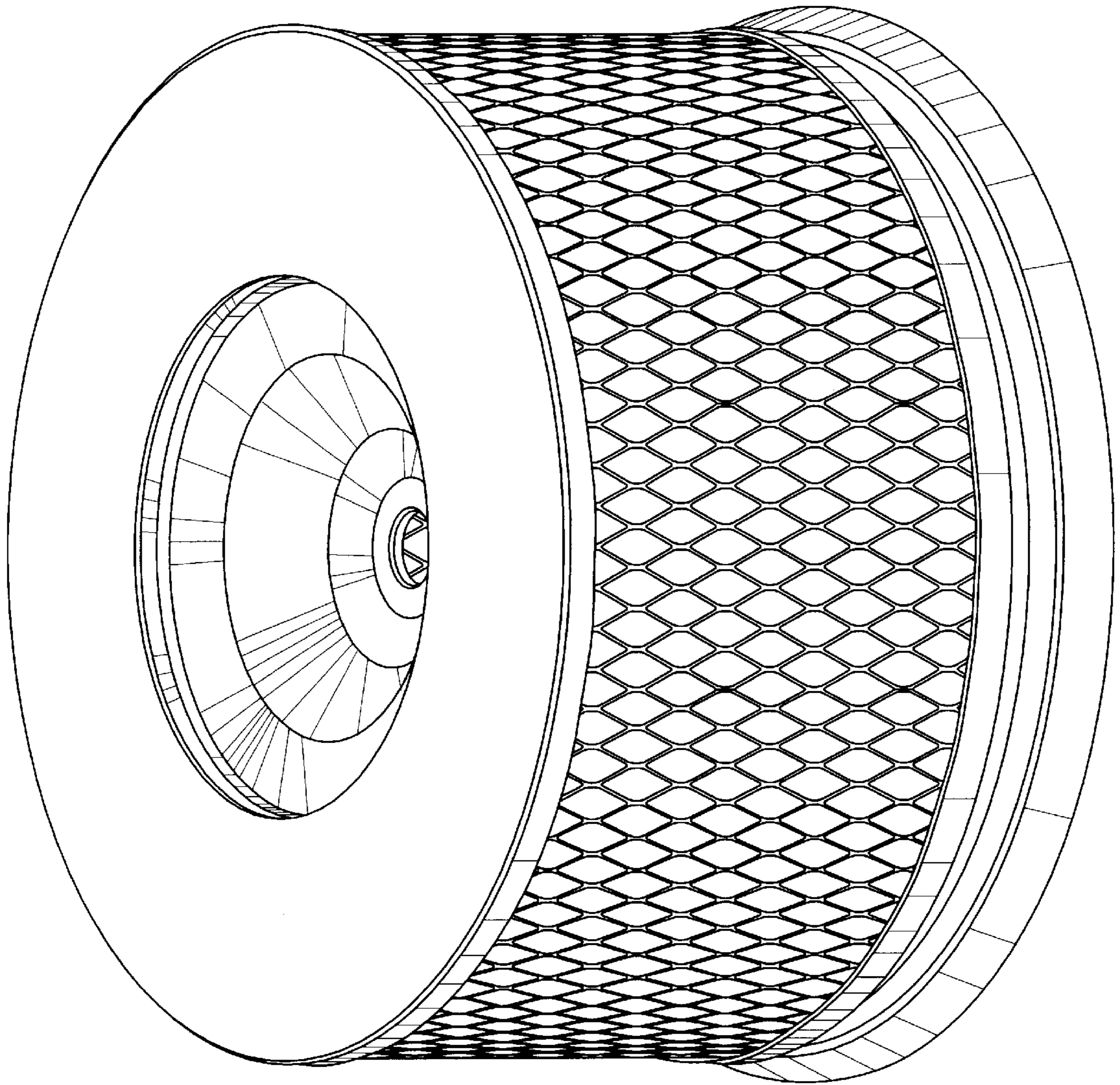


FIG. 1

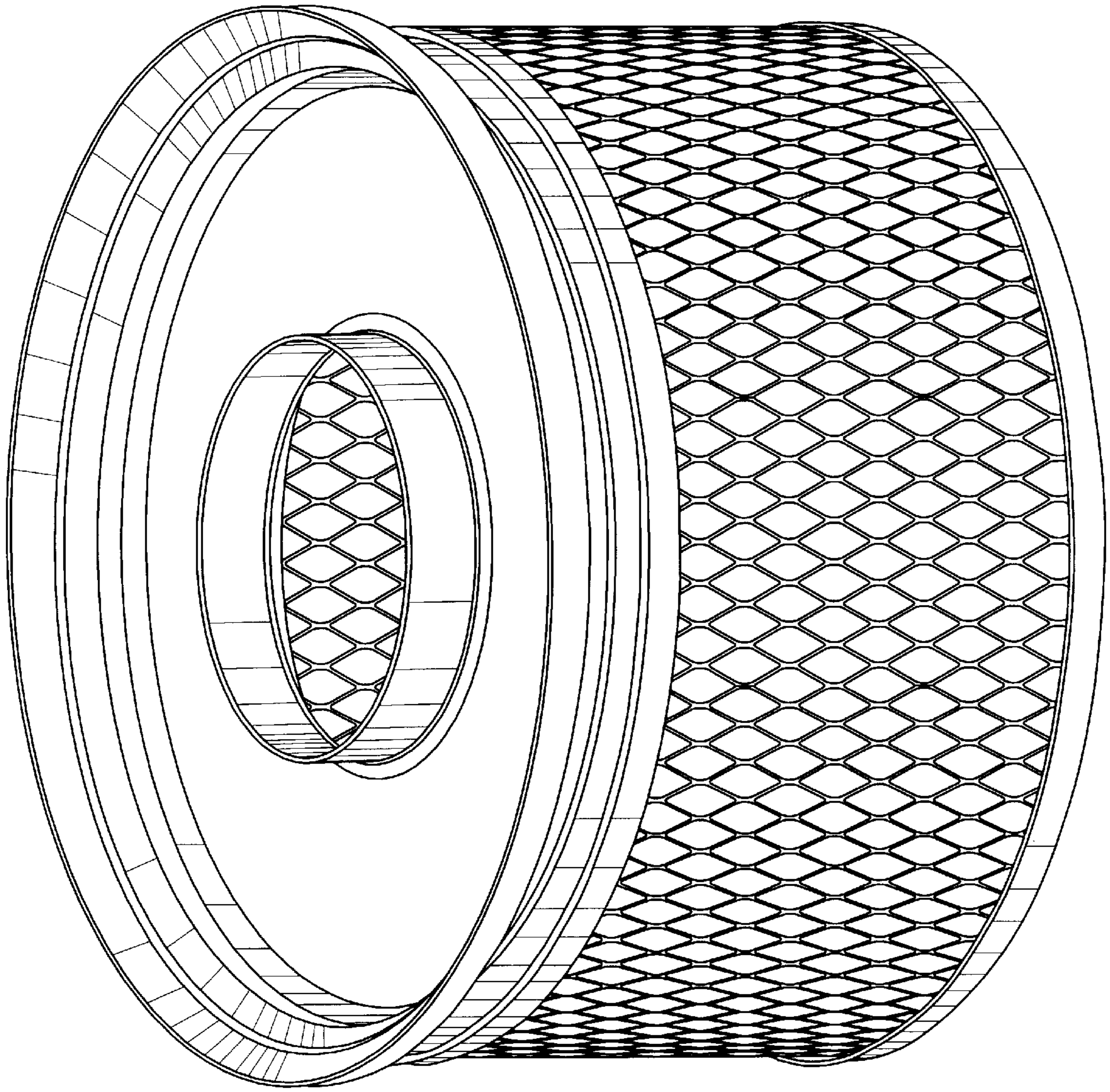


FIG. 2

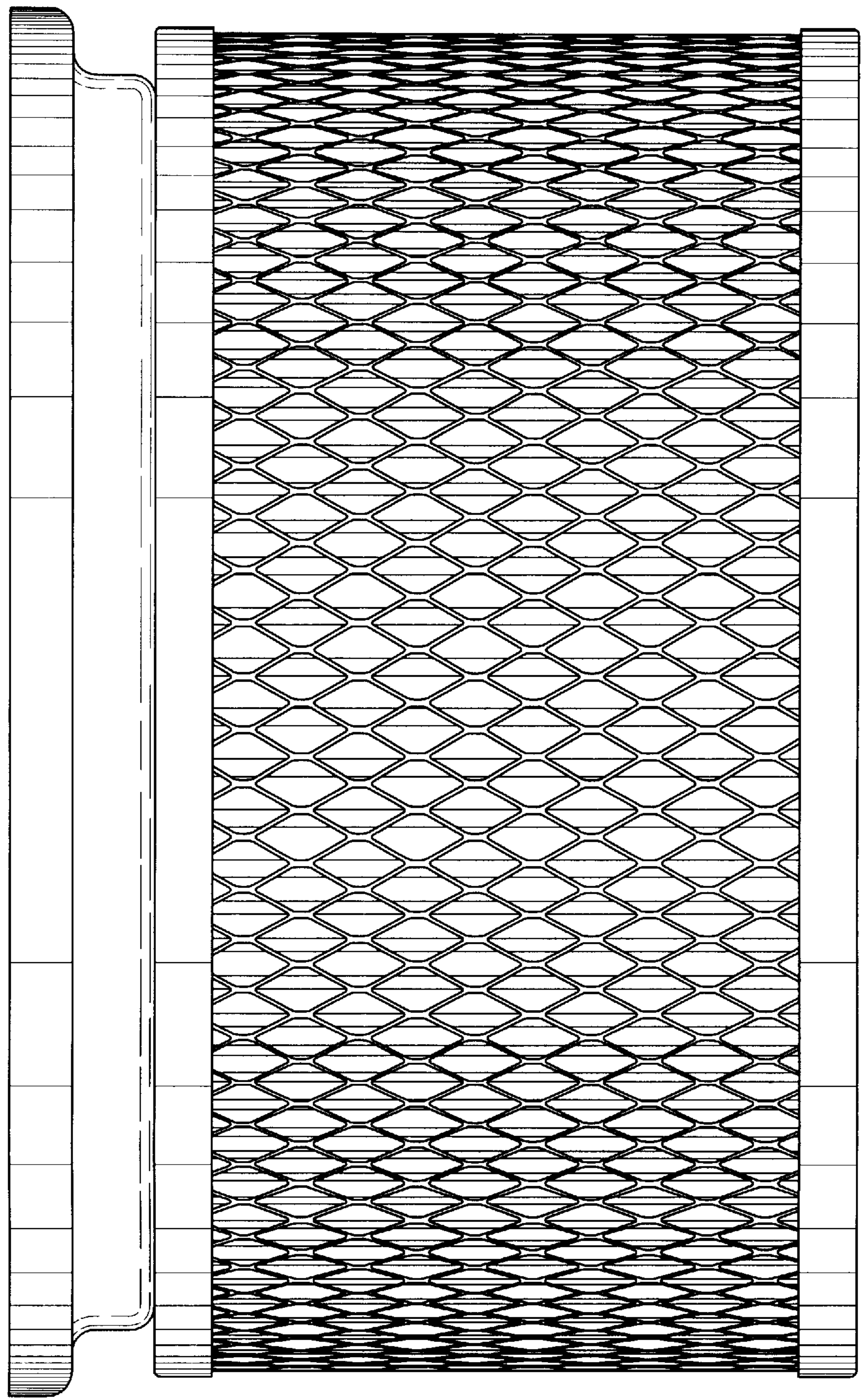


FIG. 3

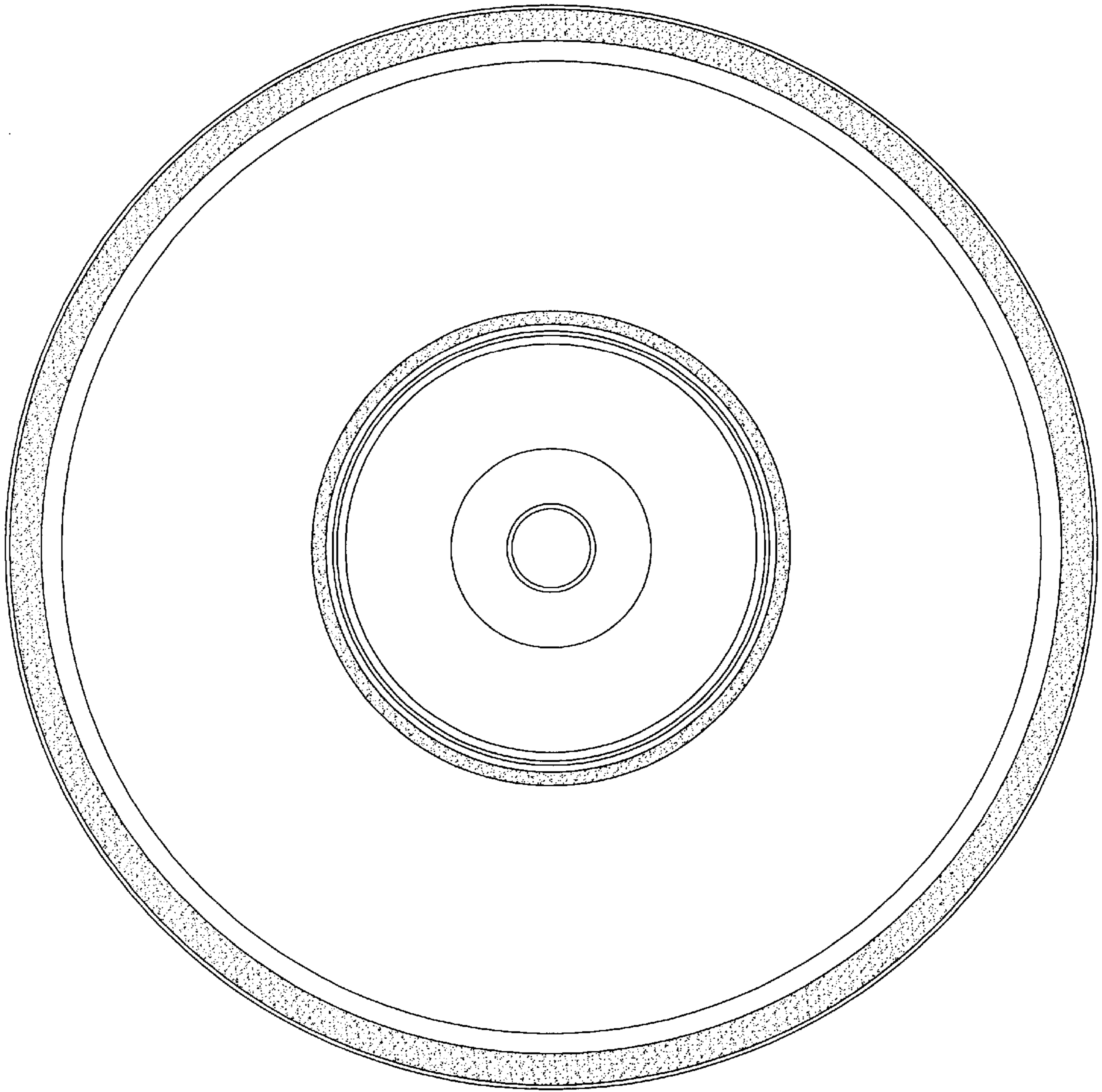


FIG. 4

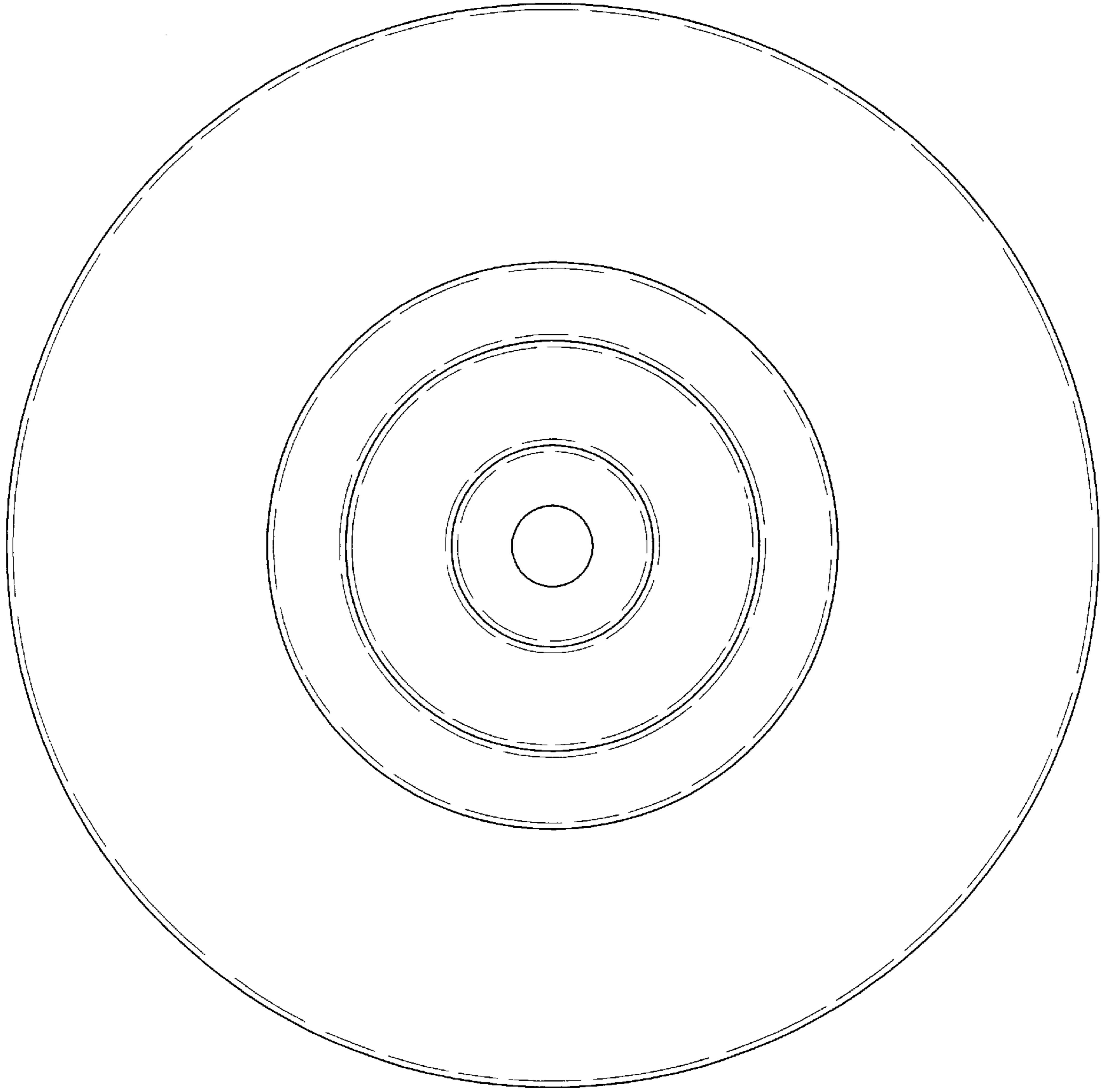


FIG. 5