



US00D438206S

(12) **United States Design Patent**
Joshi

(10) **Patent No.:** **US D438,206 S**

(45) **Date of Patent:** **** Feb. 27, 2001**

(54) **MULTIPLE SCREEN AUTOMATIC PROGRAMMING INTERFACE**

D. 397,998 * 9/1998 Ambroe D14/373

* cited by examiner

(76) **Inventor:** **Vikas B. Joshi**, 907 Broad Oaks Dr.,
Herndon, Fairfax County, VA (US)
20170

Primary Examiner—Freda Nunn

(74) *Attorney, Agent, or Firm*—Lacasse & Associates;
Randy W. Lacasse

(**) **Term:** **14 Years**

(57) **CLAIM**

(21) **Appl. No.:** **29/120,625**

The ornamental design for a multiple screen automatic programming interface, as shown and described.

(22) **Filed:** **Mar. 23, 2000**

DESCRIPTION

(51) **LOC (7) Cl.** **14-02**

(52) **U.S. Cl.** **D14/373**

(58) **Field of Search** D14/342, 327,
D14/373, 127; D19/52, 59, 60, 62; 345/104,
156, 173, 168; 364/708.1; 349/12; D6/308

FIG. 1 is a perspective view of the multiple screen automatic programming interface showing my new design the broken lines are shown for illustrative purposes only and form no part of the claimed design;

FIG. 2 is a right side view thereof;

FIG. 3 is a front view thereof;

FIG. 4 is a left side view thereof;

FIG. 5 is a rear view thereof;

FIG. 6 is a top view thereof; and,

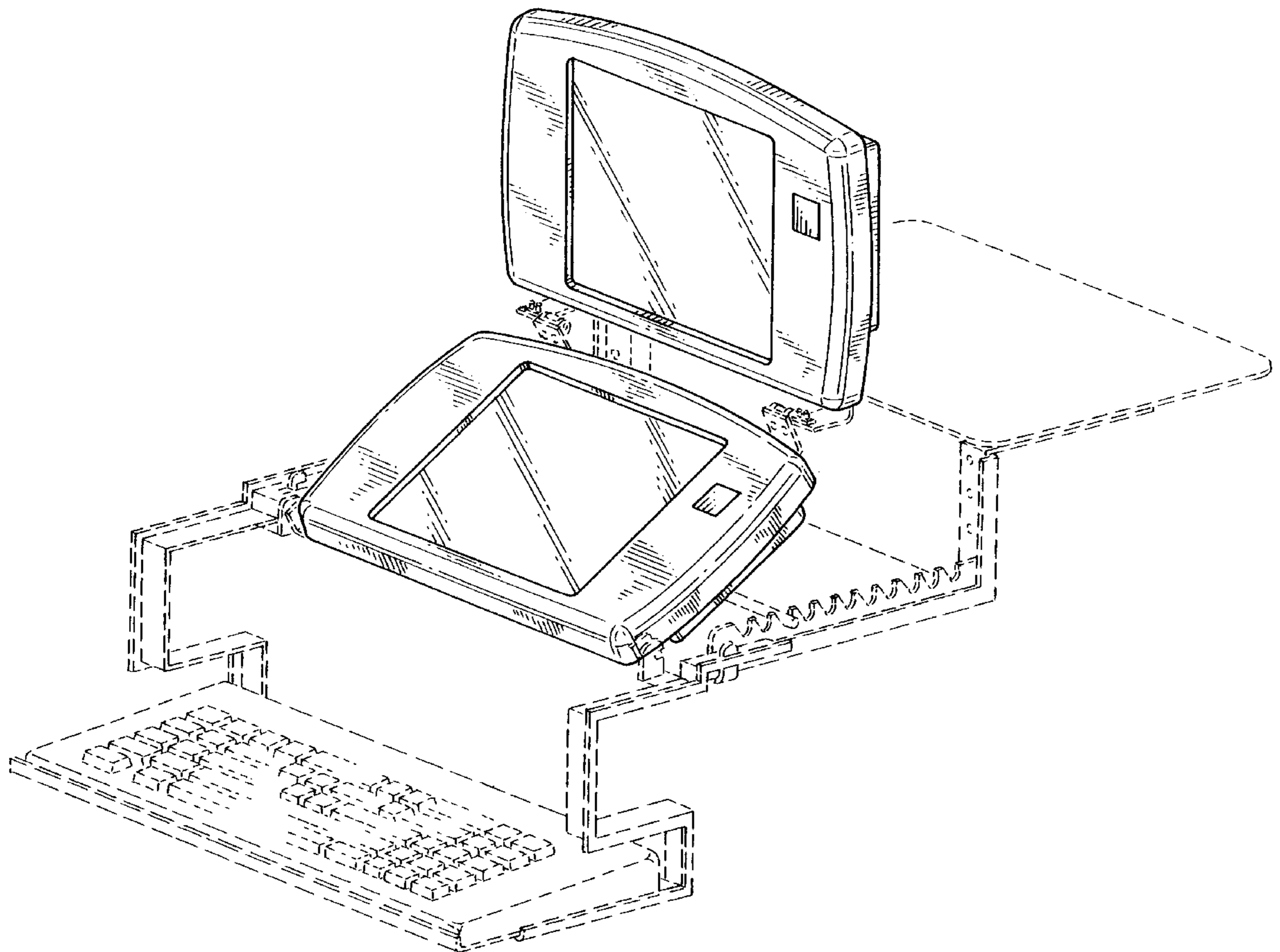
FIG. 7 is a bottom view thereof.

(56) **References Cited**

U.S. PATENT DOCUMENTS

- D. 260,305 * 8/1981 MacGregor et al. D6/308
- D. 333,462 * 2/1993 Tyson D14/327
- D. 366,280 * 1/1996 Henderson D19/52
- D. 395,039 * 6/1998 Murphy et al. D14/342

1 Claim, 4 Drawing Sheets



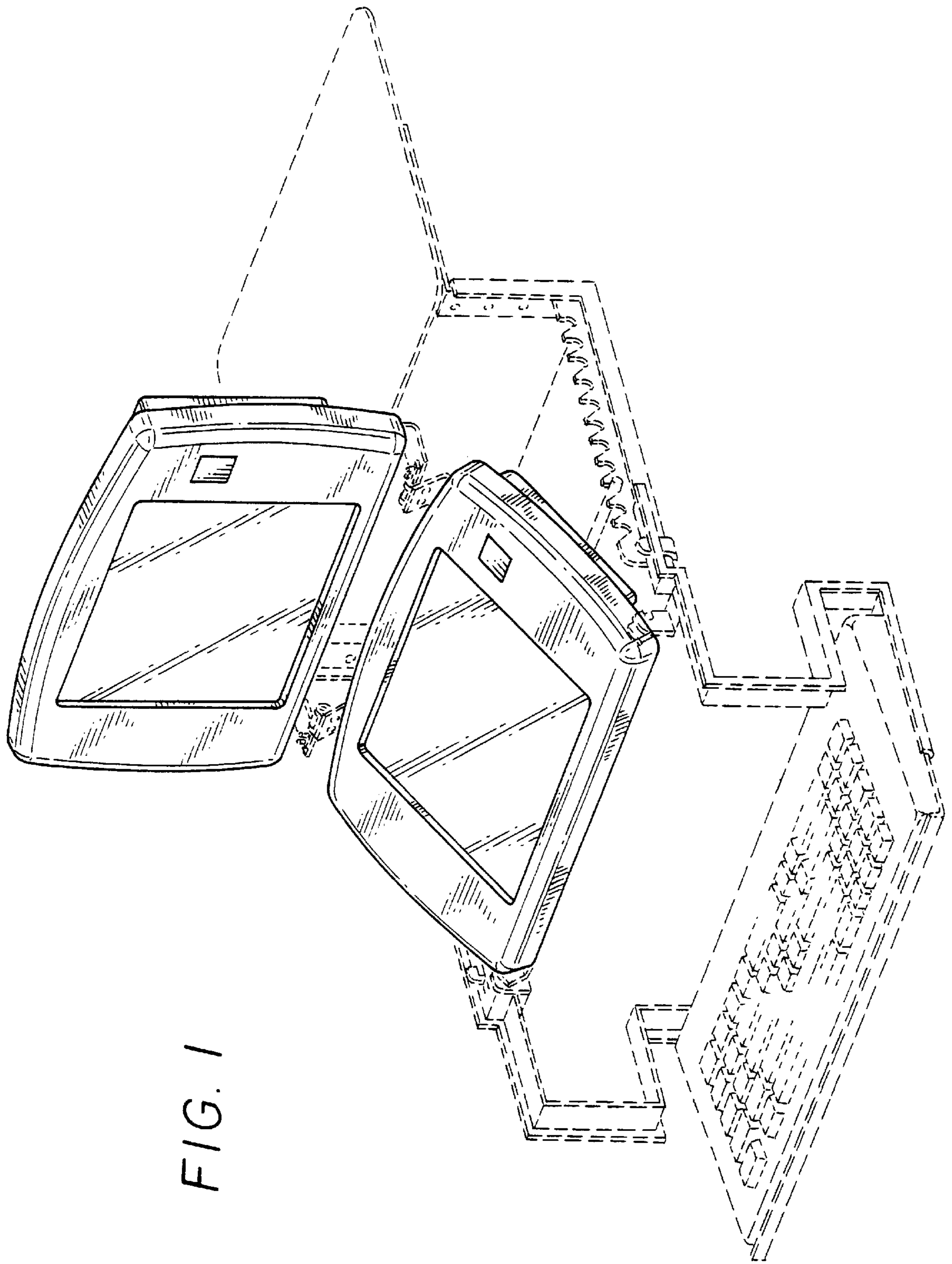


FIG. 1

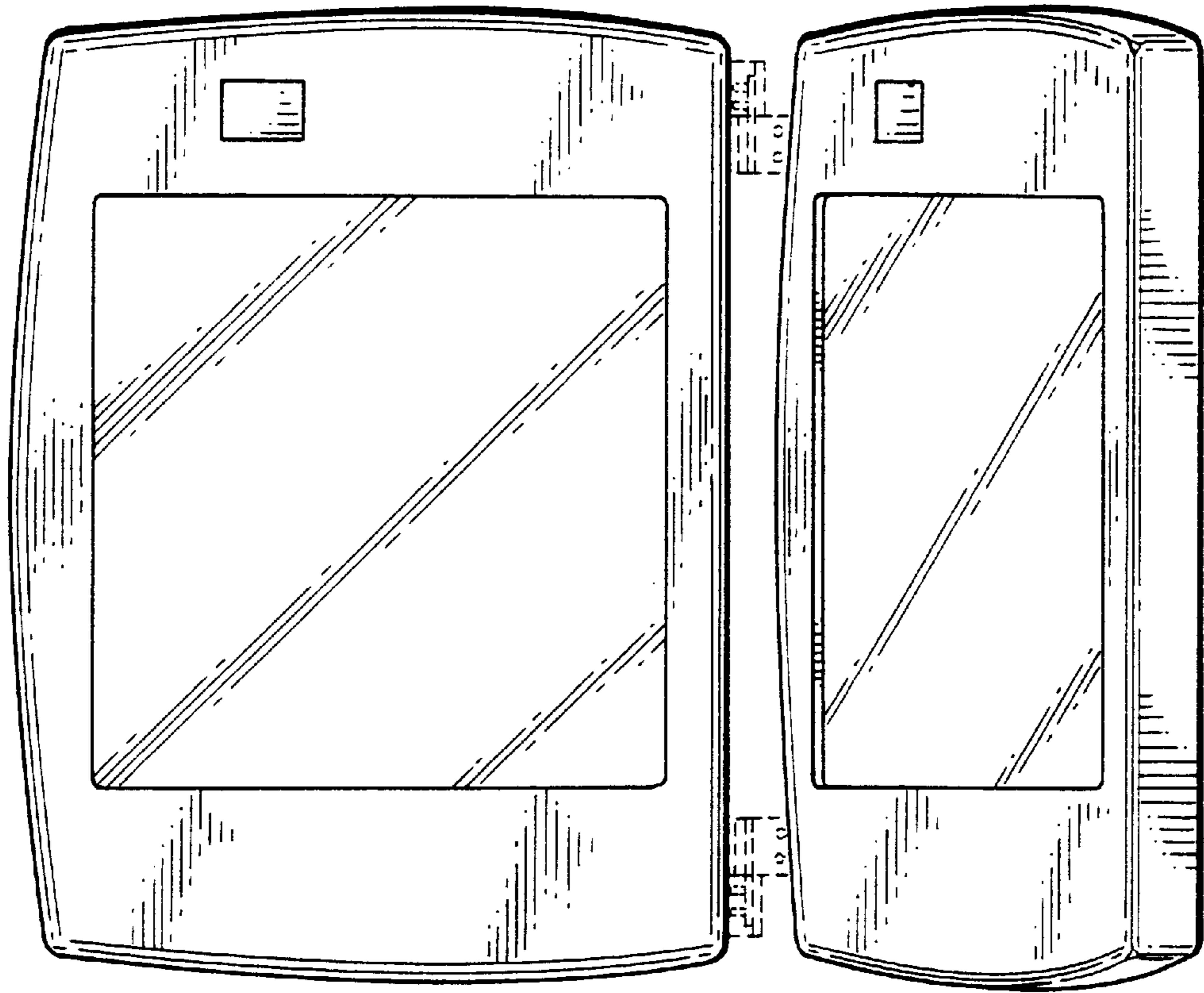


FIG. 3

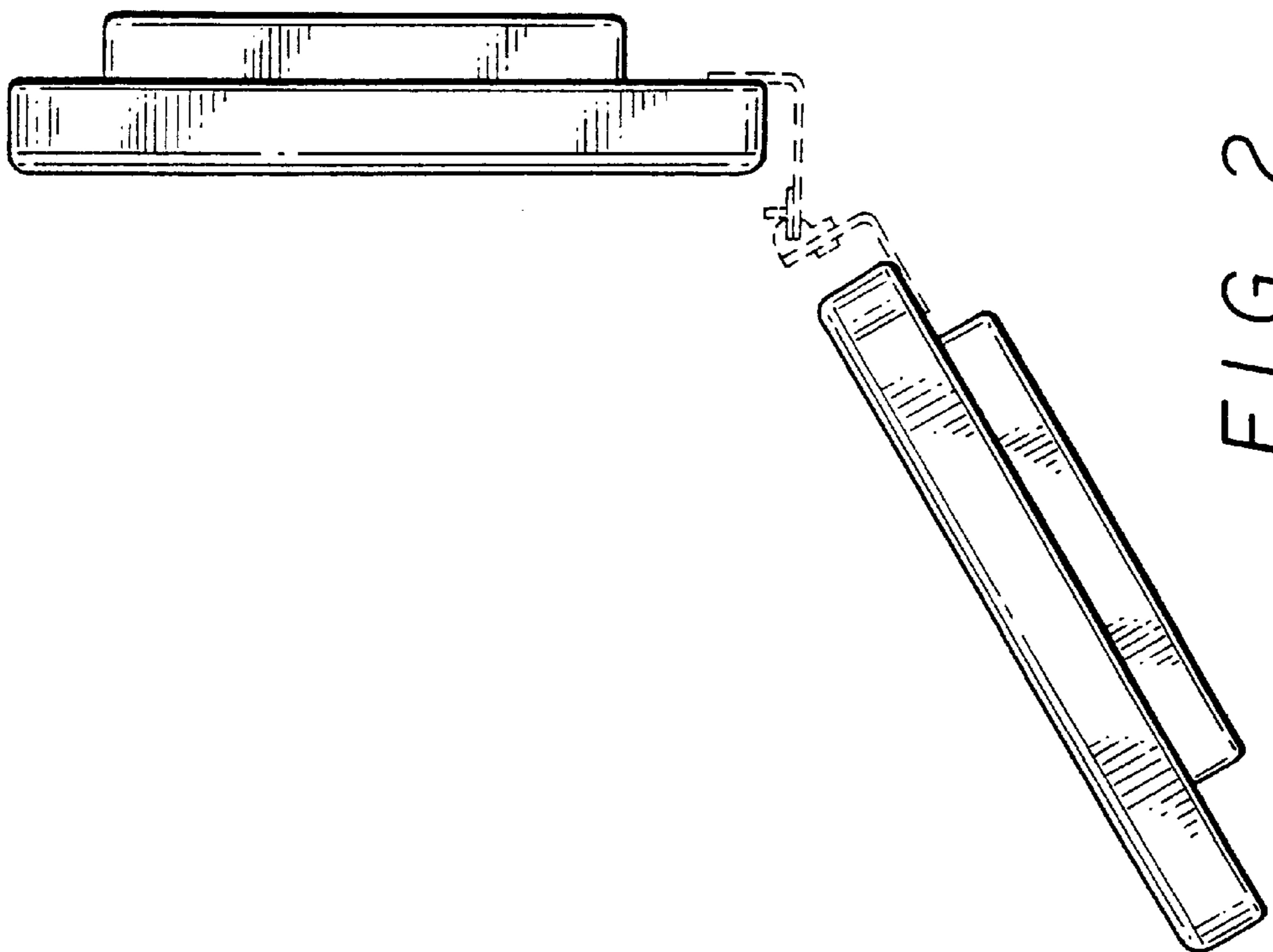


FIG. 2

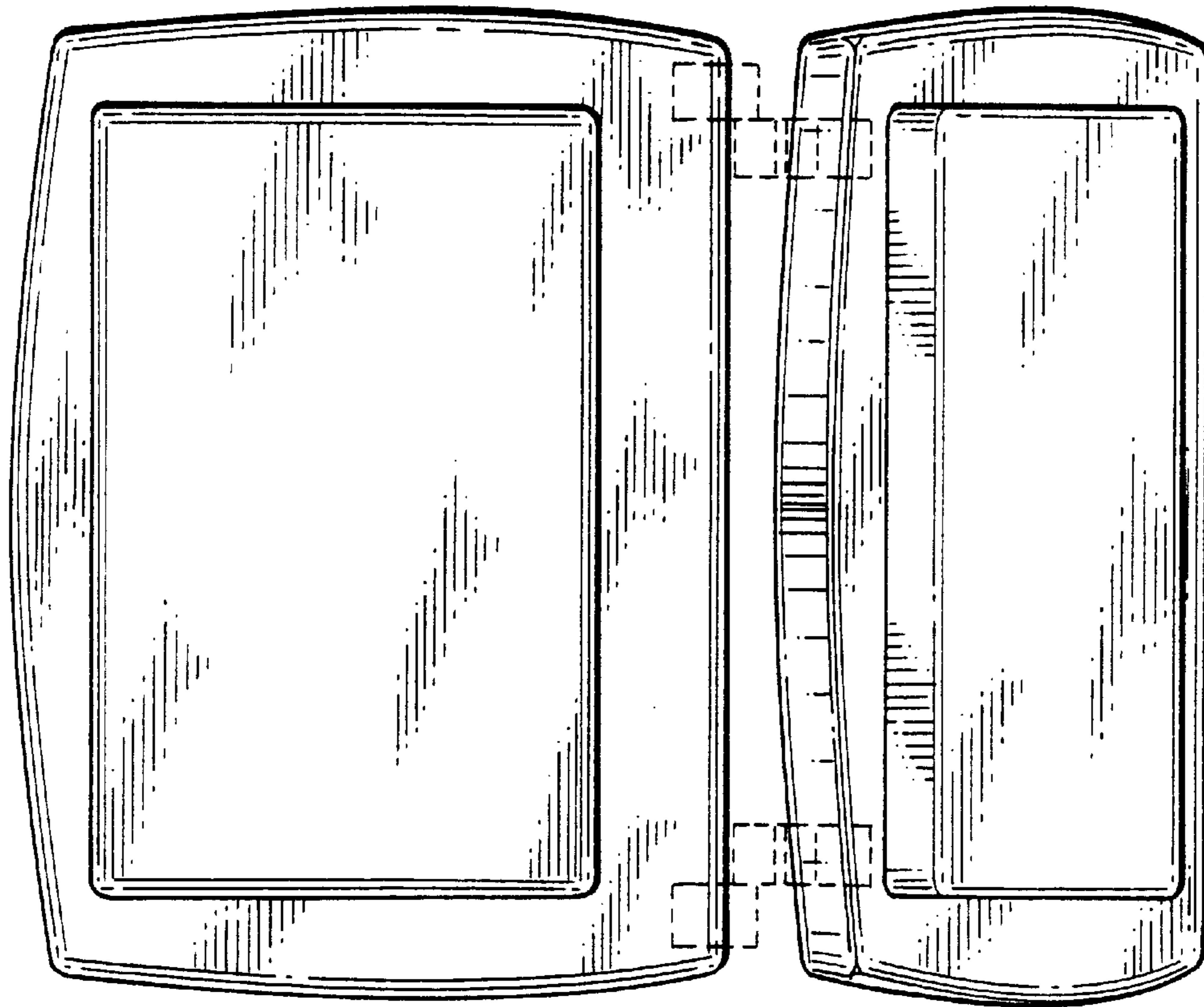


FIG. 5

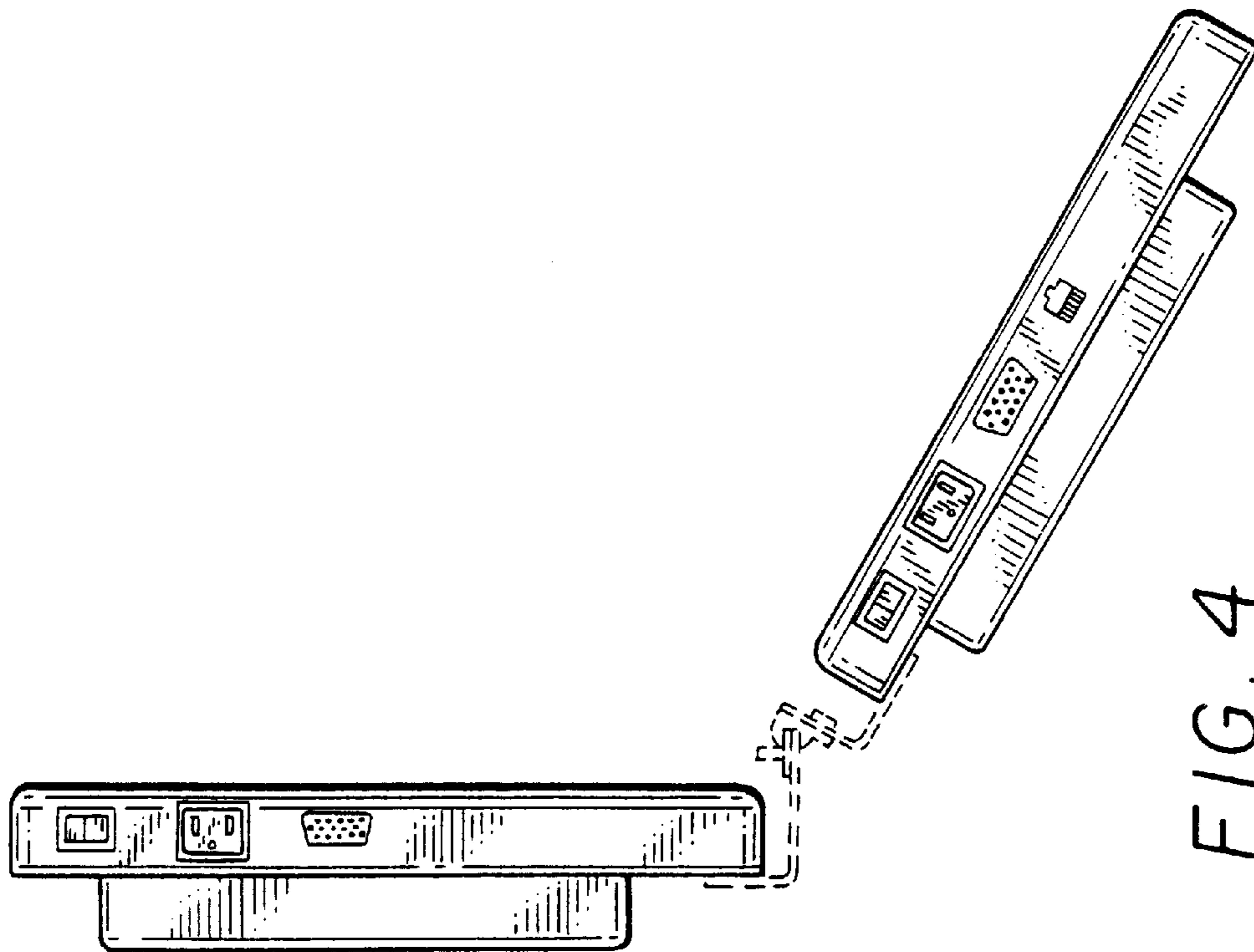


FIG. 4

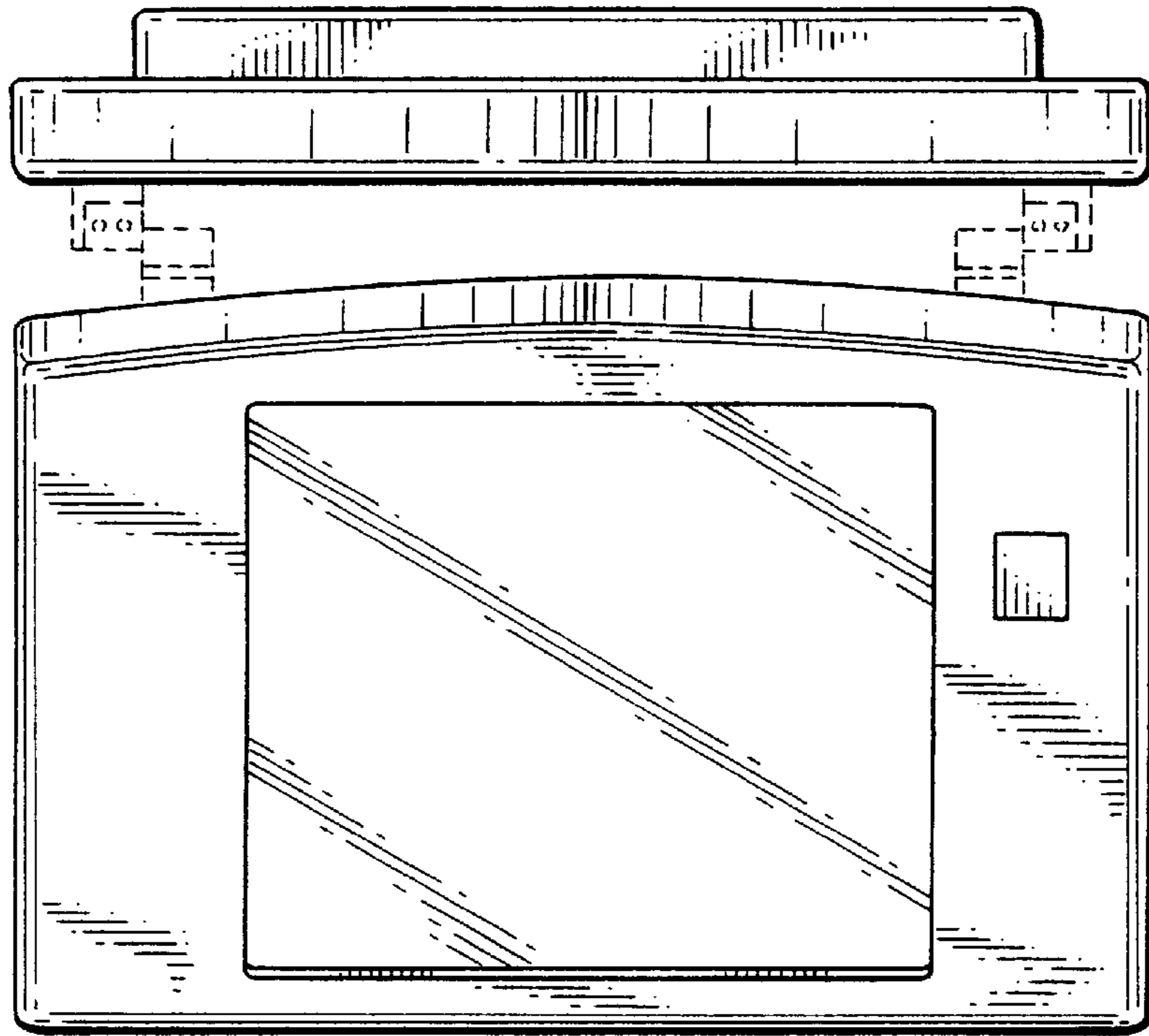


FIG. 6

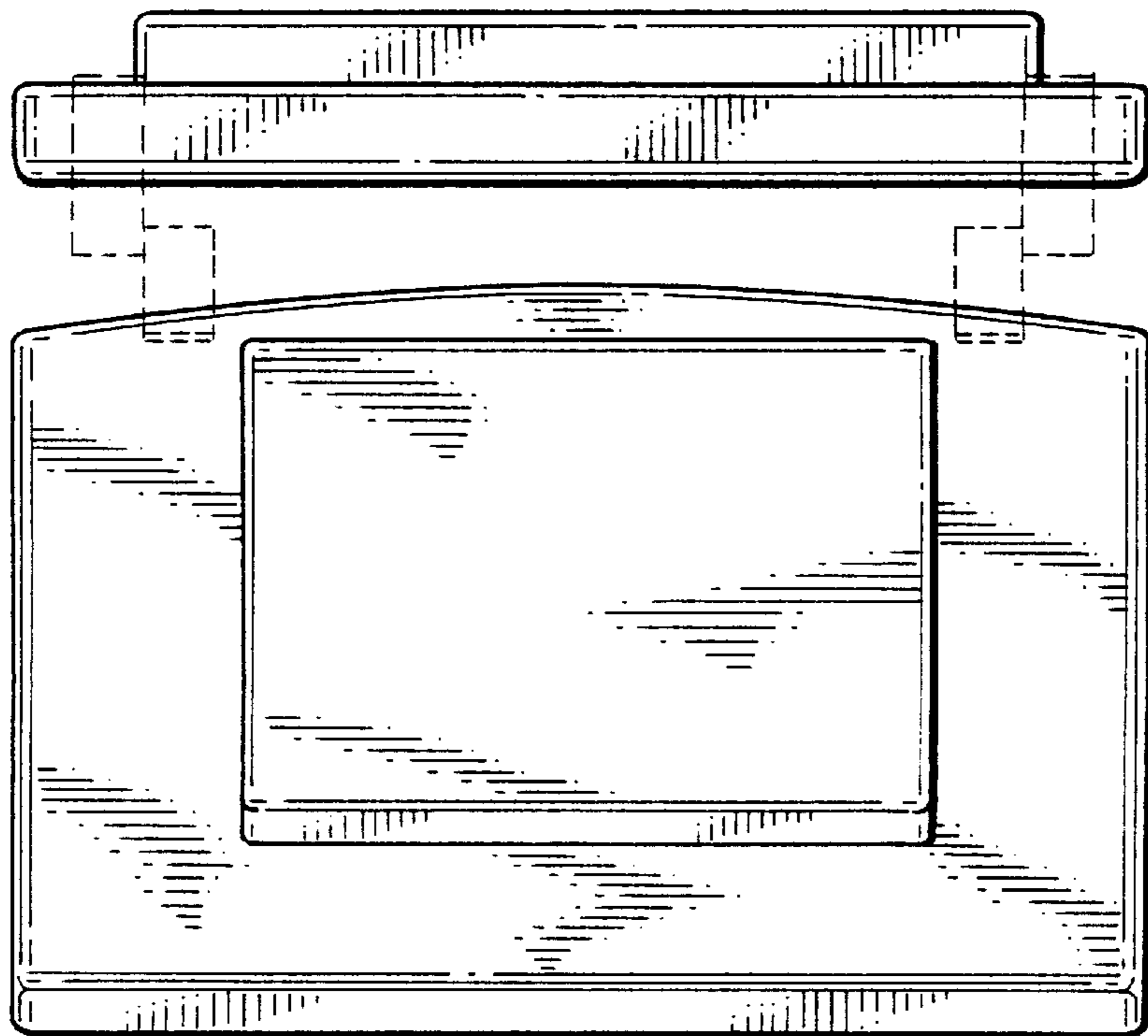


FIG. 7