



US00D438205S

(12) **United States Design Patent**
Tanaka

(10) **Patent No.:** **US D438,205 S**

(45) **Date of Patent:** **** Feb. 27, 2001**

(54) **PORTION OF AN OPERATION
CONTROLLER FOR ELECTRONIC
COMPUTERS**

(75) Inventor: **Keita Tanaka**, Tokyo (JP)

(73) Assignee: **Kabushiki Kaisha Toshiba**, Kawasaki (JP)

(**) Term: **14 Years**

(21) Appl. No.: **29/123,701**

(22) Filed: **May 24, 2000**

(30) **Foreign Application Priority Data**

Nov. 30, 1999 (JP) 11-32958

(51) **LOC (7) Cl.** **14-02**

(52) **U.S. Cl.** **D14/356**

(58) **Field of Search** D14/348, 349,
D14/354, 356; D13/162, 184, 199; 312/223.2;
360/99.12; 369/34, 36; 361/694, 696

(56) **References Cited**

U.S. PATENT DOCUMENTS

D. 340,040	10/1993	Gifford et al.	D14/365
D. 360,623	7/1995	Ando	D14/312
D. 381,327	* 7/1997	Su	D14/444
D. 393,836	* 4/1998	Hisatsune et al.	D14/356
D. 396,460	* 7/1998	Su	D14/444
D. 408,800	* 4/1999	Renk	D14/356
D. 412,495	* 4/1998	Shibata	D14/356
D. 420,652	2/2000	Izaki	D14/434

FOREIGN PATENT DOCUMENTS

M91 09 097	5/1992	(DE) .
830458	2/1992	(JP) .
905735	8/1994	(JP) .
905395	4/1996	(JP) .

OTHER PUBLICATIONS

PC Magazine, vol. 14, No. 14, p. 445, Aug. 1995.
Falcon Microsystems Multiplatform Hardware, Software
and Networking Solutions, vol. 4, No. 1, p. 19, Spring 1994.

Gateway Catalog (ALR7200), dated Jul. 10, 1998.

Nihon Unisys Catalog, Aquanta GPS, dated Aug. 18, 1998.

Unisys Corporation Catalog, Aquanta QS, dated Jun. 10,
1997.

* cited by examiner

Primary Examiner—Freda Nunn

(74) *Attorney, Agent, or Firm*—Banner & Witcoff, Ltd.

(57) **CLAIM**

The ornamental design for portion of an operation controller
for electronic computers, as shown and described.

DESCRIPTION

FIG. 1 is a top, front and right side perspective view of a
portion of an operation controller for electronic computers
showing my new design;

FIG. 2 is a front elevational view thereof;

FIG. 3 is a right side elevational view thereof;

FIG. 4 is a left side elevational view thereof;

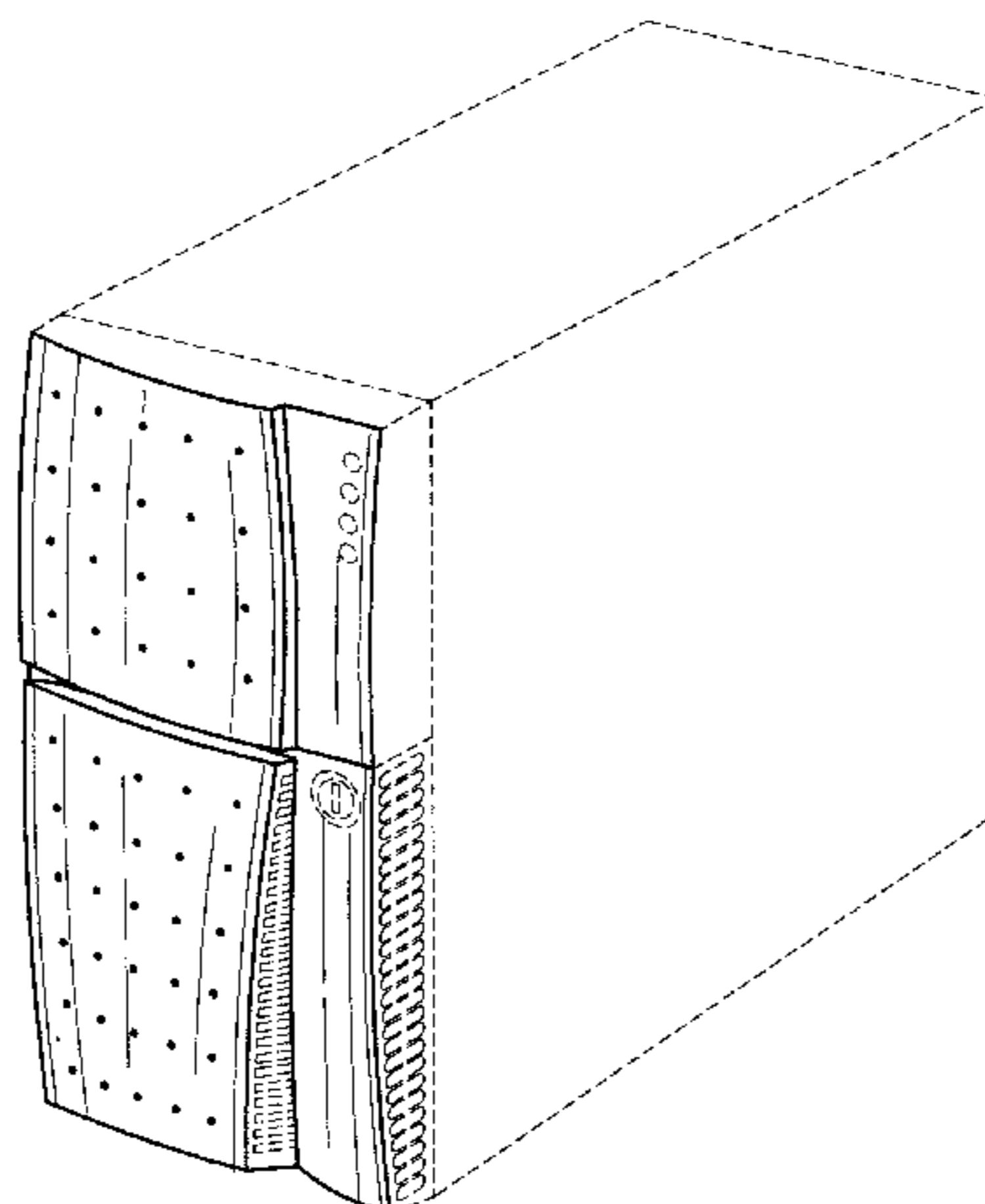
FIG. 5 is a top plan view thereof;

FIG. 6 is a bottom plan view thereof; and,

FIG. 7 is a rear elevational view thereof.

The broken line showing of the remainder of the operation
controller for electronic computers is for illustrative pur-
poses only and forms no part of the claimed design.

1 Claim, 3 Drawing Sheets



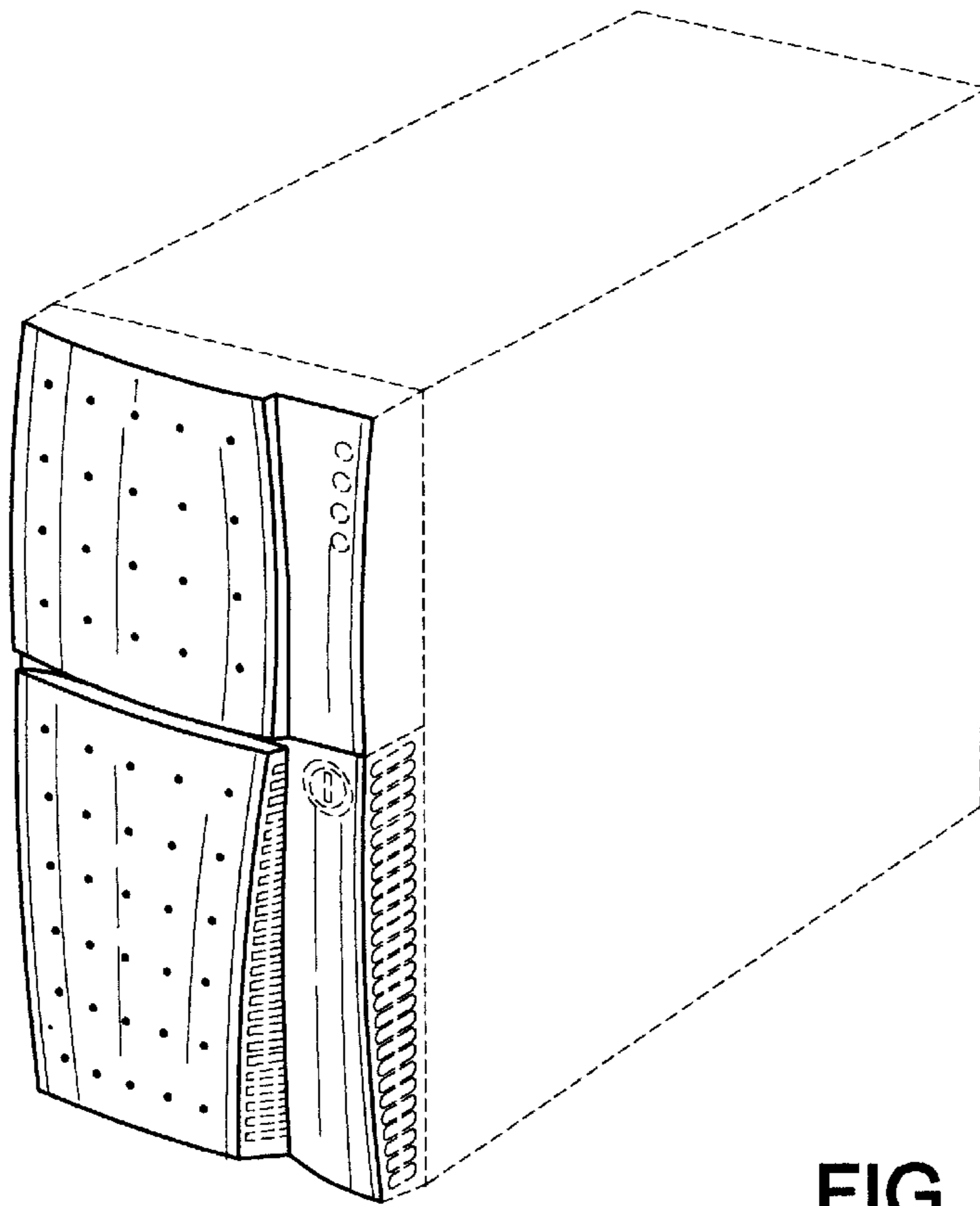


FIG. 1

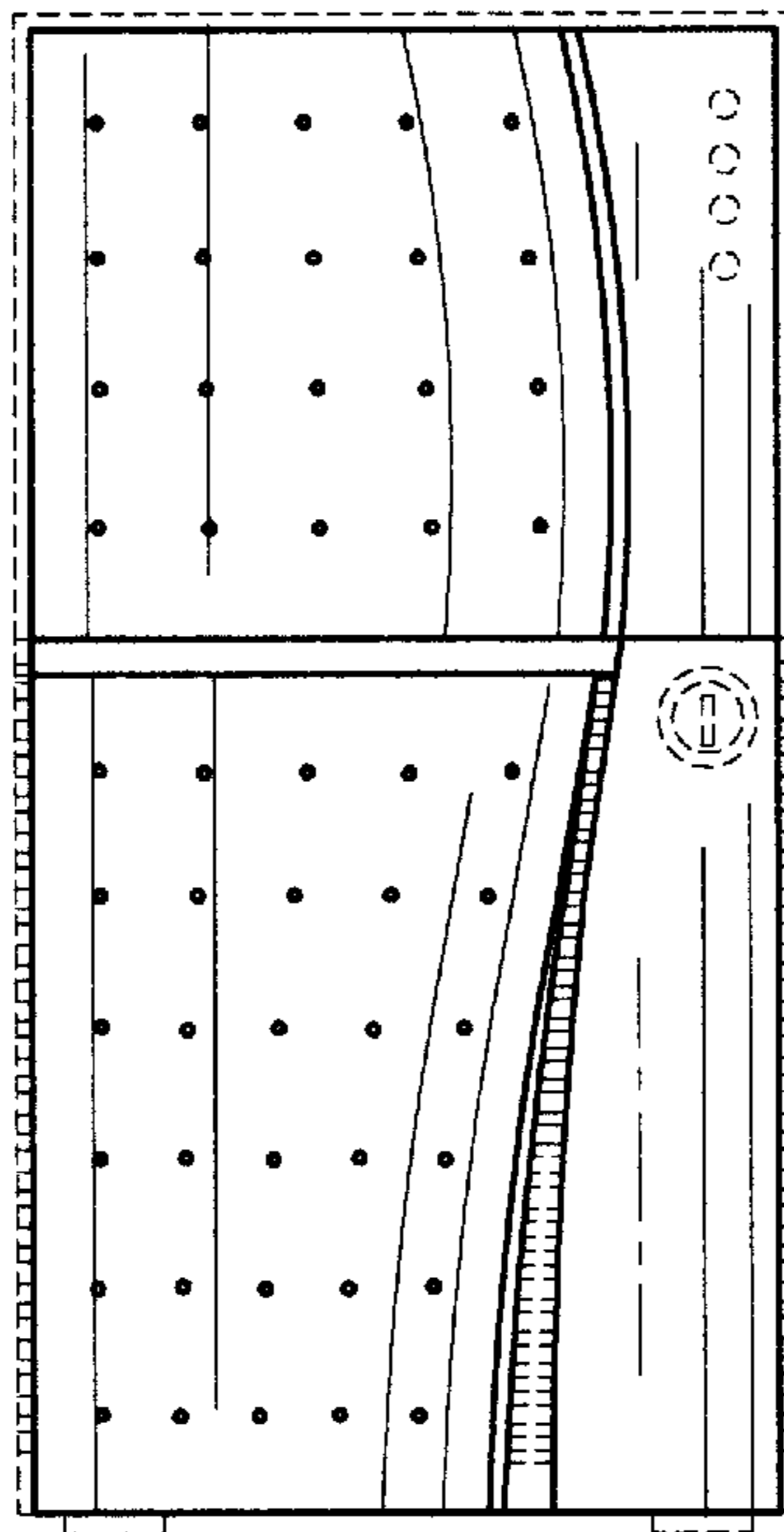


FIG. 2



FIG. 3



FIG. 4

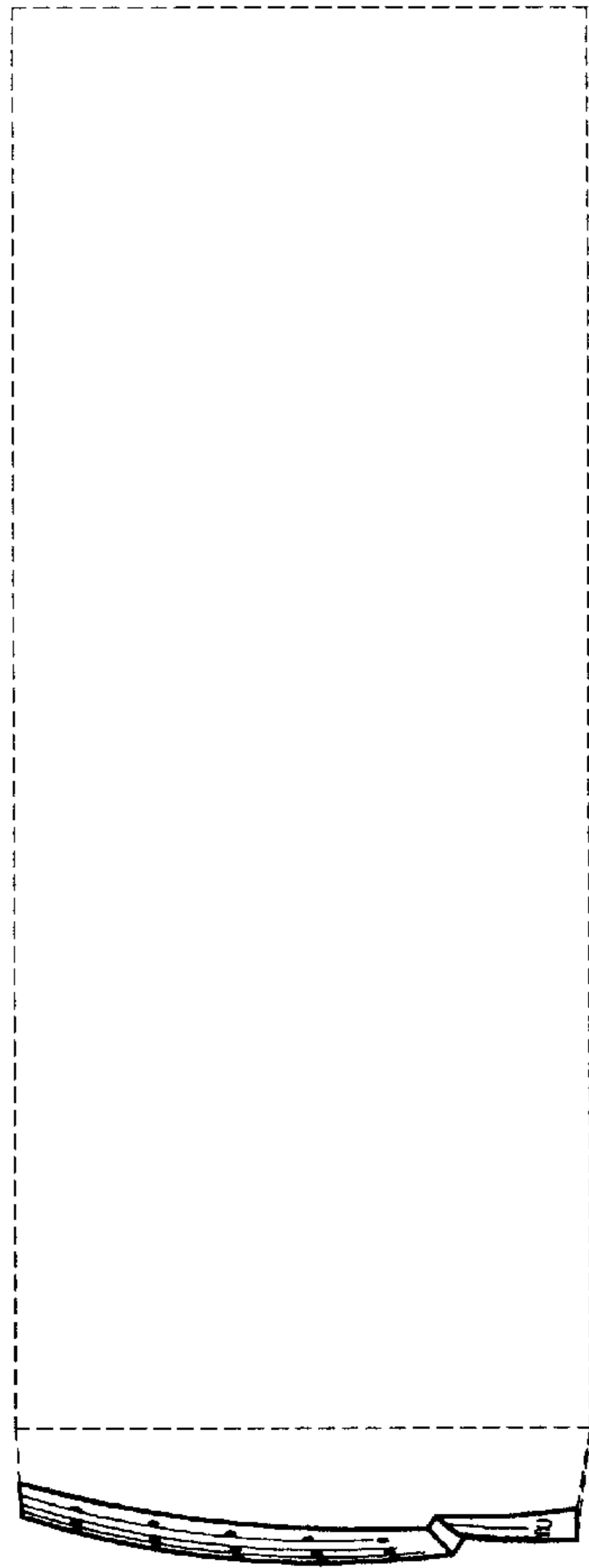


FIG. 5

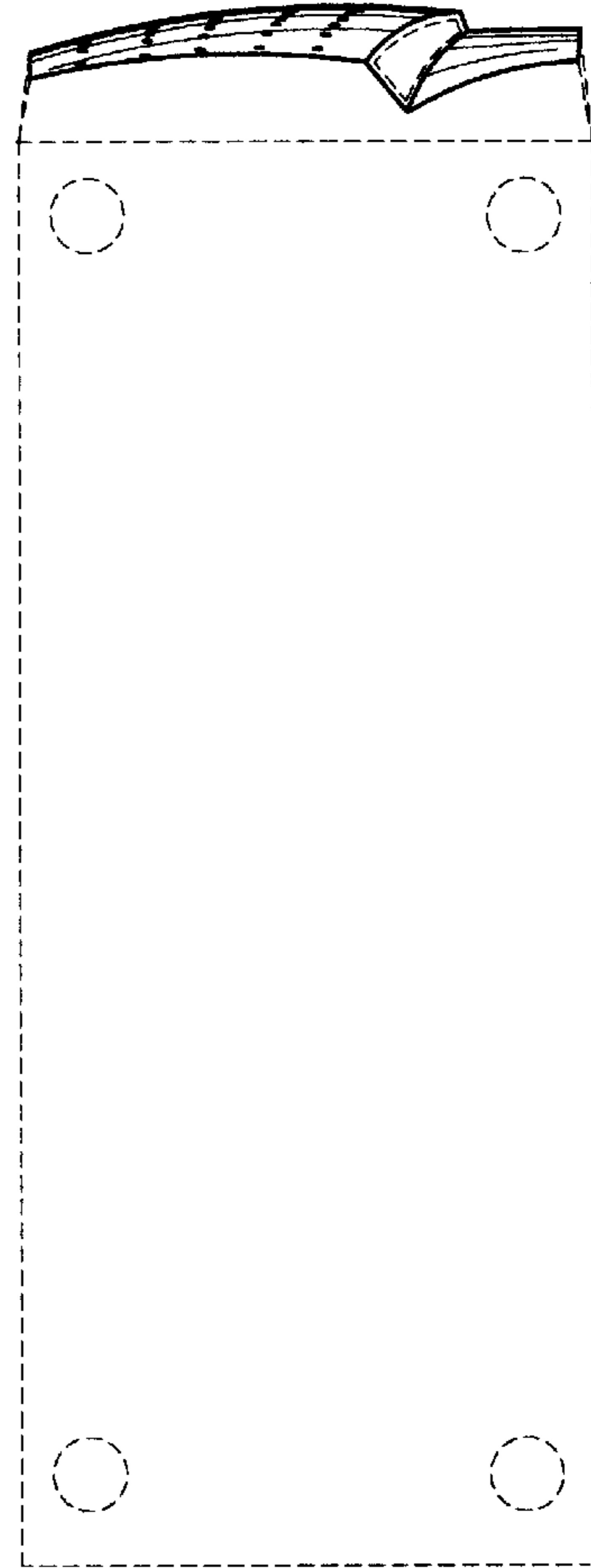


FIG. 6

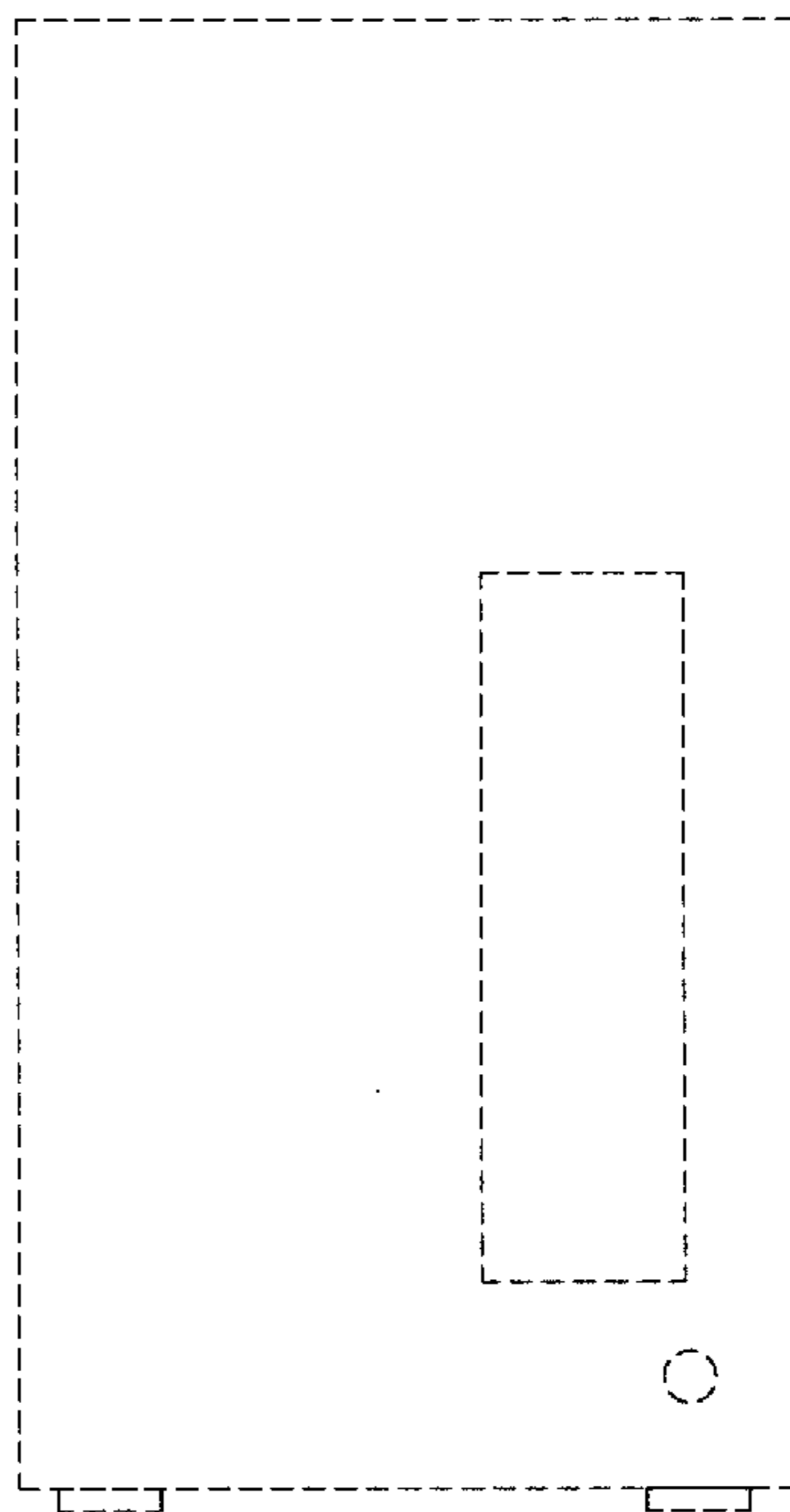


FIG. 7