



US00D438201S

(12) **United States Design Patent**
Ogawa et al.

(10) **Patent No.:** **US D438,201 S**

(45) **Date of Patent:** **** Feb. 27, 2001**

(54) **PERSONAL COMPUTER**

D. 397,324 * 8/1998 Minemoto et al. D14/337

D. 401,575 * 8/1998 Chuo D14/375

(75) Inventors: **Naohisa Ogawa**, Gunma; **Tomoaki Takuma**, Tokyo, both of (JP)

* cited by examiner

(73) Assignee: **NEC Corporation**, Tokyo (JP)

Primary Examiner—Freda Nunn

(**) Term: **14 Years**

(74) *Attorney, Agent, or Firm*—Sughrue, Mion, Zinn, Macpeak & Seas, PLLC

(21) Appl. No.: **29/119,155**

(57) **CLAIM**

(22) Filed: **Feb. 25, 2000**

The ornamental design for a personal computer, as shown.

(30) **Foreign Application Priority Data**

DESCRIPTION

Aug. 26, 1999 (JP) 11-22812

(51) **LOC (7) Cl.** **14-02**

FIG. 1 is a perspective view of the top, front and right side of a personal computer showing our new design;

(52) **U.S. Cl.** **D14/336**

FIG. 2 is a front elevational view thereof;

(58) **Field of Search** D14/371, 374, D14/375, 378, 126-129; 345/104, 133, 156, 168, 173; 348/180, 184, 325, 739; 248/918-924; 349/1, 2, 11, 62

FIG. 3 is a rear elevational view thereof;

FIG. 4 is a top plan view thereof;

FIG. 5 is a bottom plan view thereof;

FIG. 6 is a right side elevational view thereof; and,

FIG. 7 is left side elevational view thereof.

(56) **References Cited**

U.S. PATENT DOCUMENTS

D. 397,094 * 8/1998 Kishi et al. D14/337

1 Claim, 4 Drawing Sheets

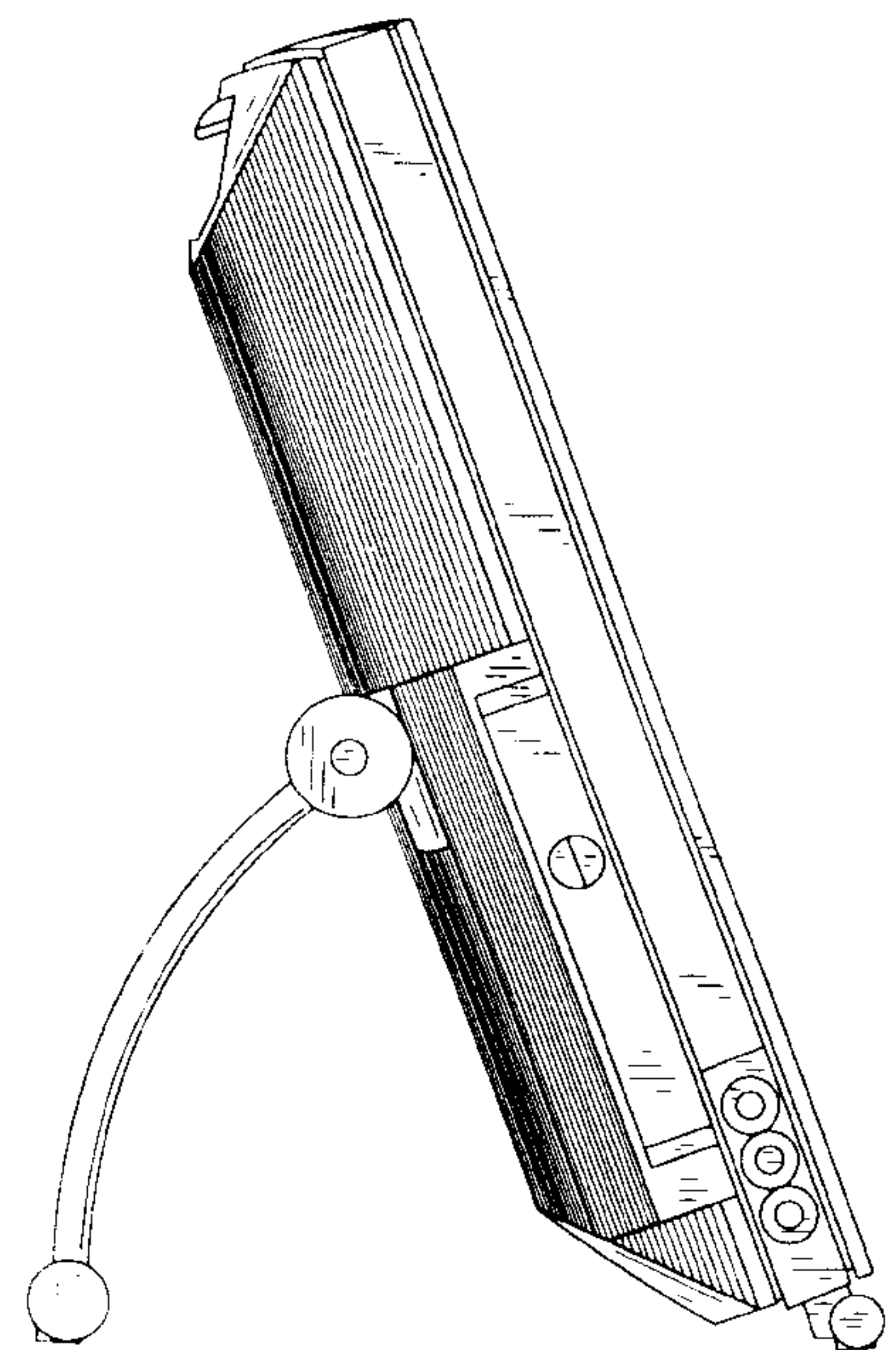
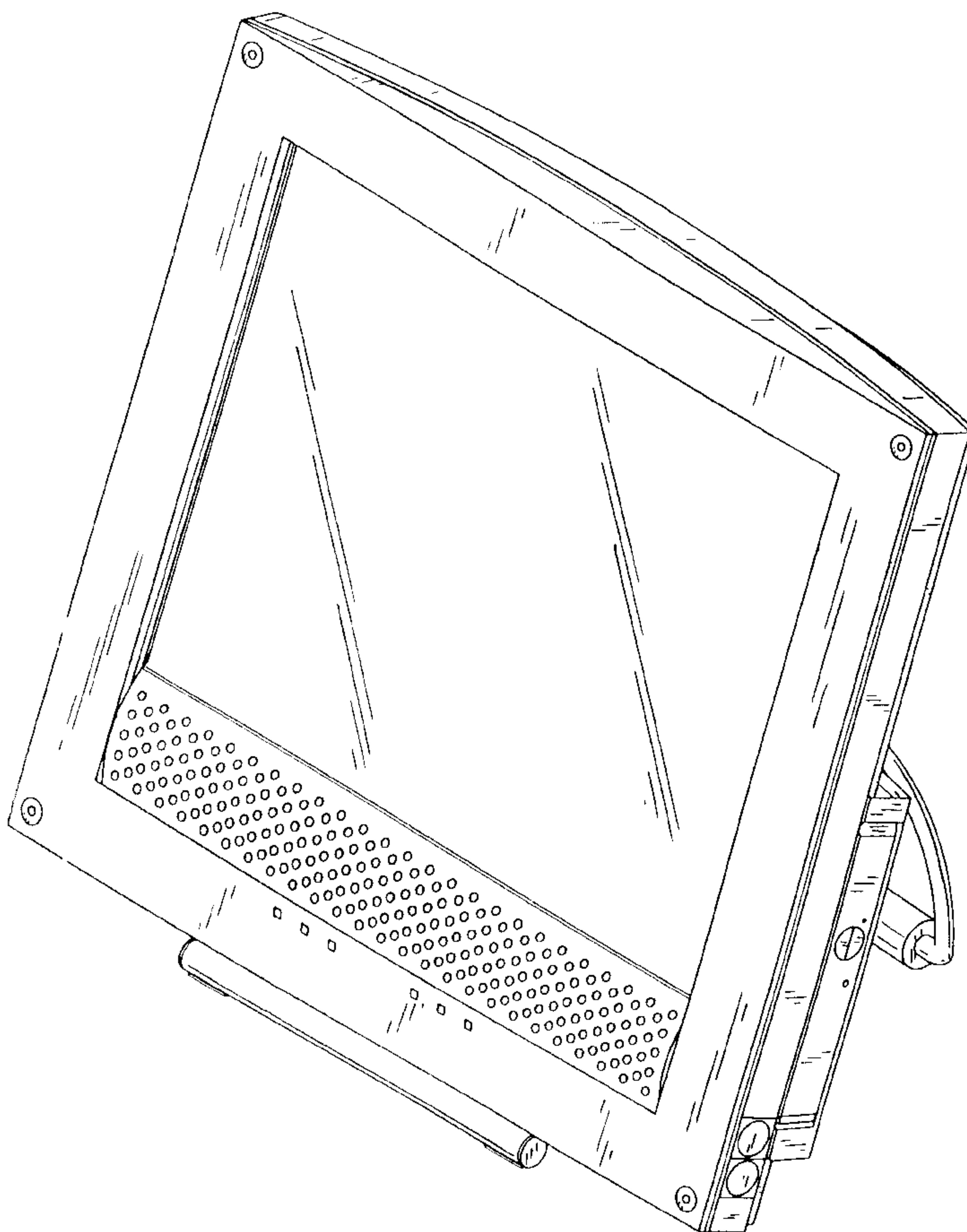


FIG. 1

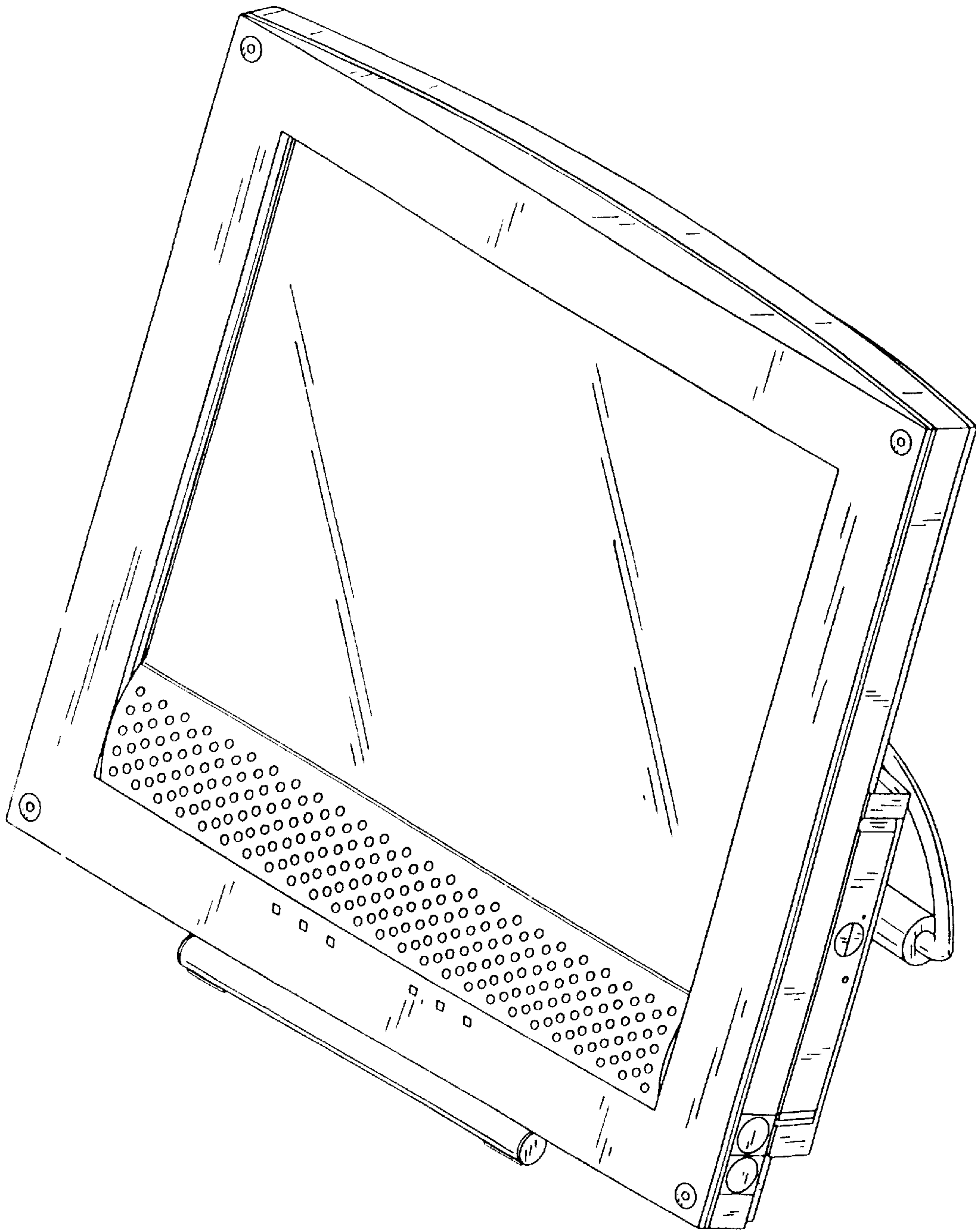


FIG. 2

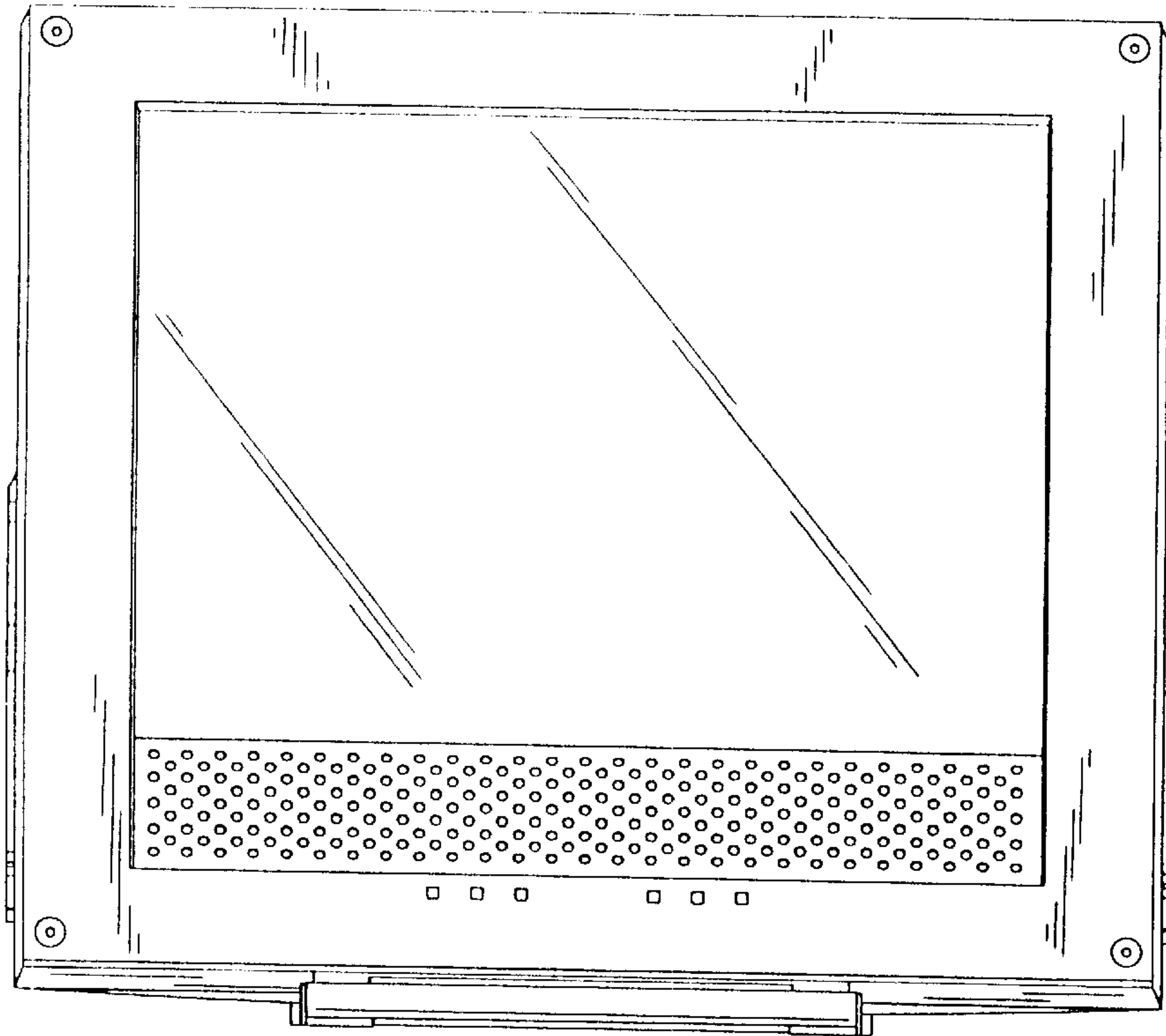


FIG. 3

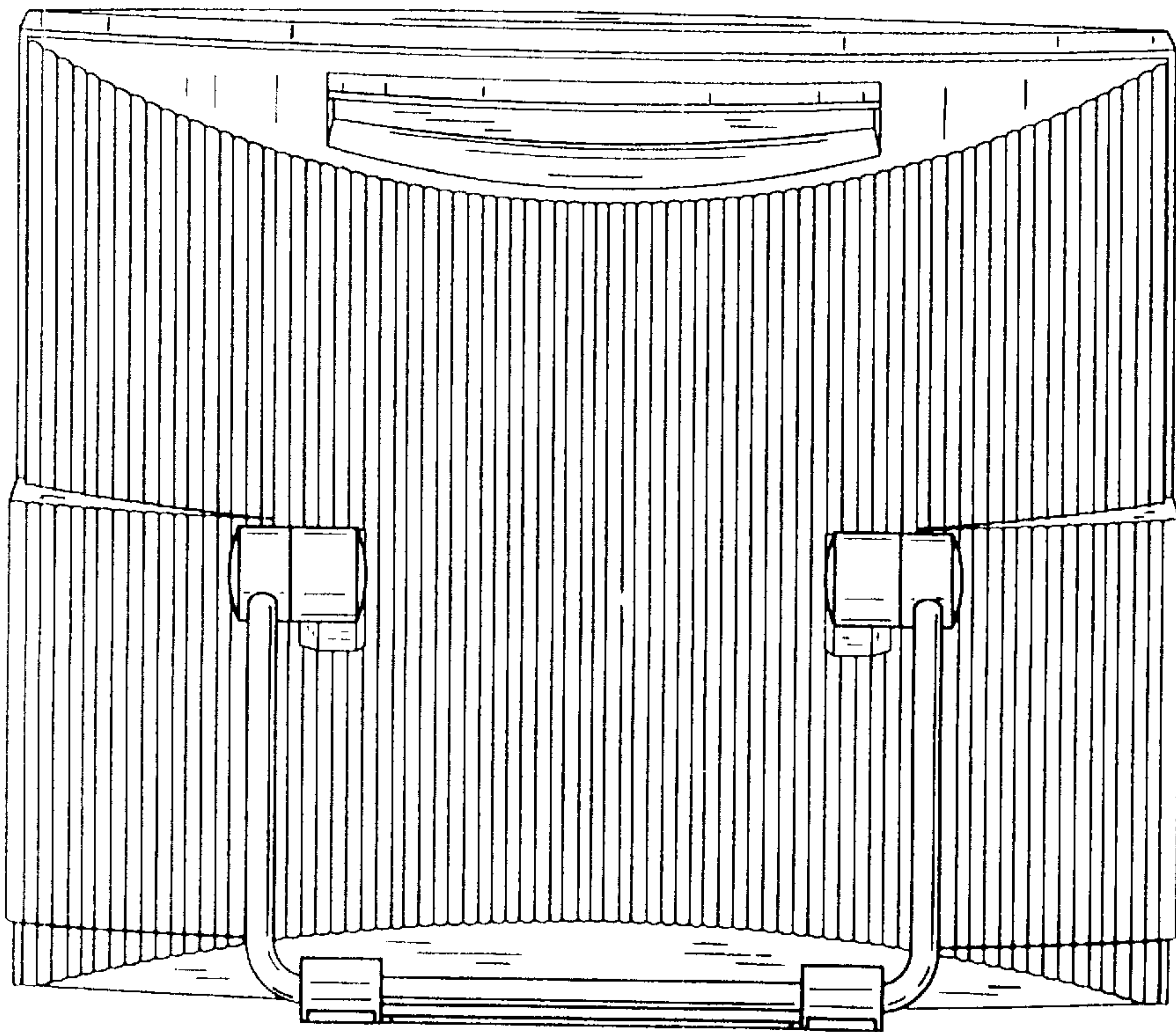


FIG. 4

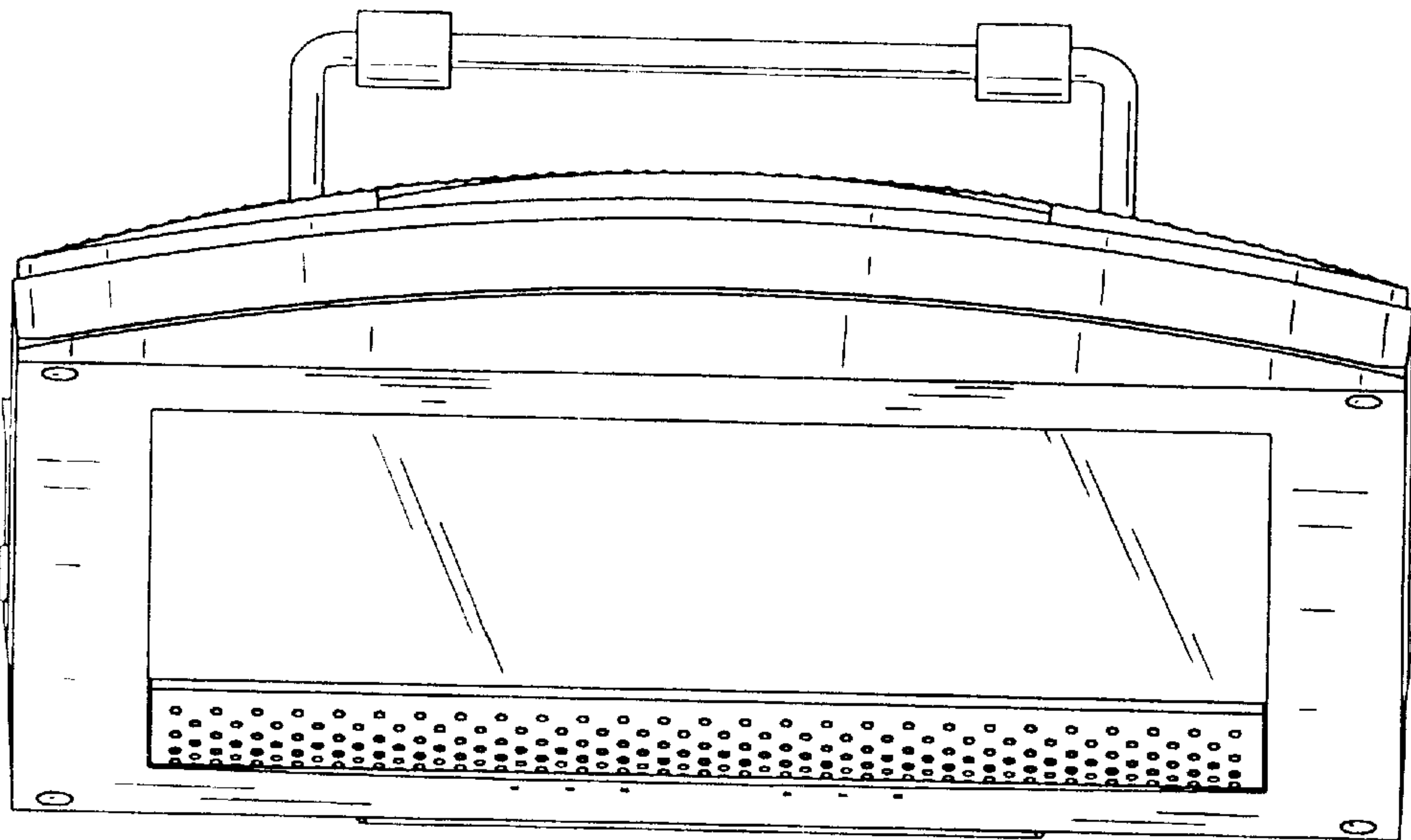


FIG. 5

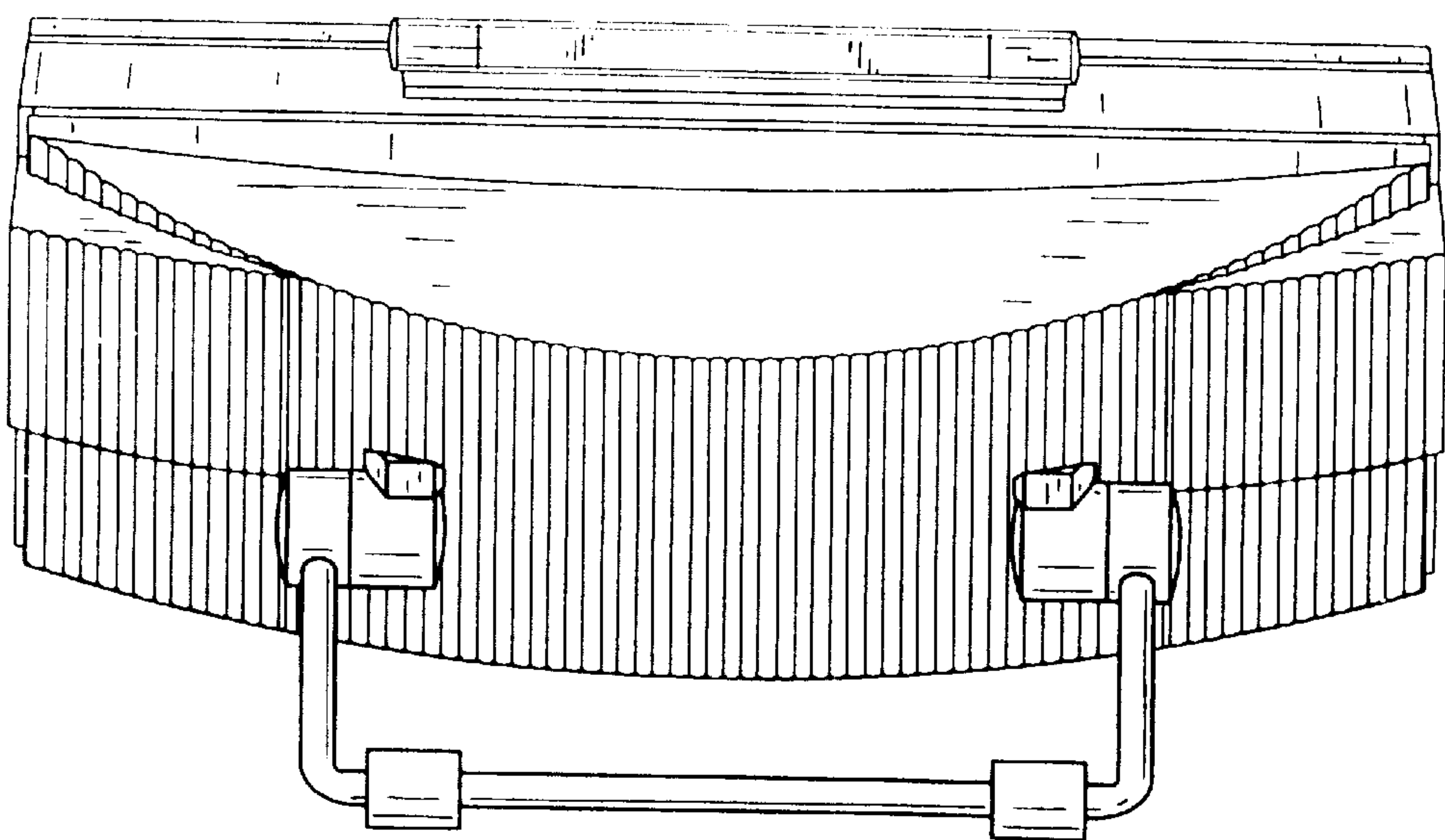


FIG. 6

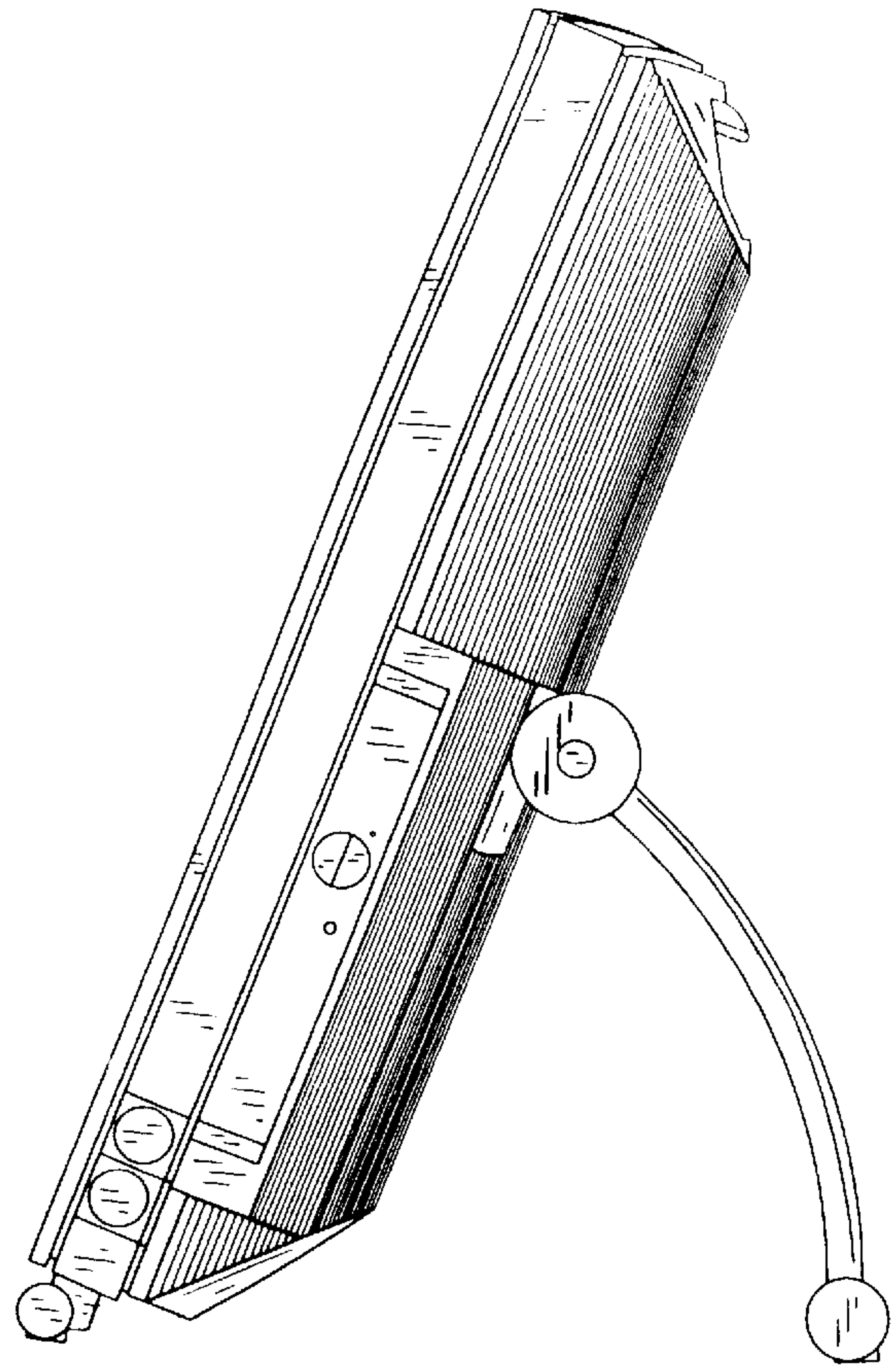


FIG. 7

