



US00D438196S

(12) **United States Design Patent**
Darbut et al.

(10) **Patent No.:** **US D438,196 S**

(45) **Date of Patent:** **** Feb. 27, 2001**

(54) **MINIATURE MICROPHONE HOUSING AND SWITCH**

D. 414,493 * 9/1999 Jiann-Young D14/225
D. 416,912 * 11/1999 Hsieh D14/225

(75) Inventors: **Alexander L. Darbut**, Edina, MN (US); **Kurt Hubschi**, Singapore (SG); **Jean Daavettila**, St. Paul, MN (US)

* cited by examiner

Primary Examiner—Nanda Bondade
(74) *Attorney, Agent, or Firm*—Kinney & Lange, P.A.

(73) Assignee: **Resistance Technology, Inc.**, Arden Hills, MN (US)

(57) **CLAIM**

(**) Term: **14 Years**

The ornamental design for a miniature microphone housing and switch, as shown and described.

(21) Appl. No.: **29/120,267**

DESCRIPTION

(22) Filed: **Mar. 16, 2000**

FIG. 1 is a perspective view of a miniature microphone housing and switch showing our new design;

(51) **LOC (7) Cl.** **14-01**

FIG. 2 is a front view thereof;

(52) **U.S. Cl.** **D14/226**

FIG. 3 is a right side view thereof;

(58) **Field of Search** D14/225-229;
181/158, 242; 381/26, 92, 95, 122, 369

FIG. 4 is a back view thereof;

FIG. 5 is a left side view thereof;

FIG. 6 is a top view thereof; and,

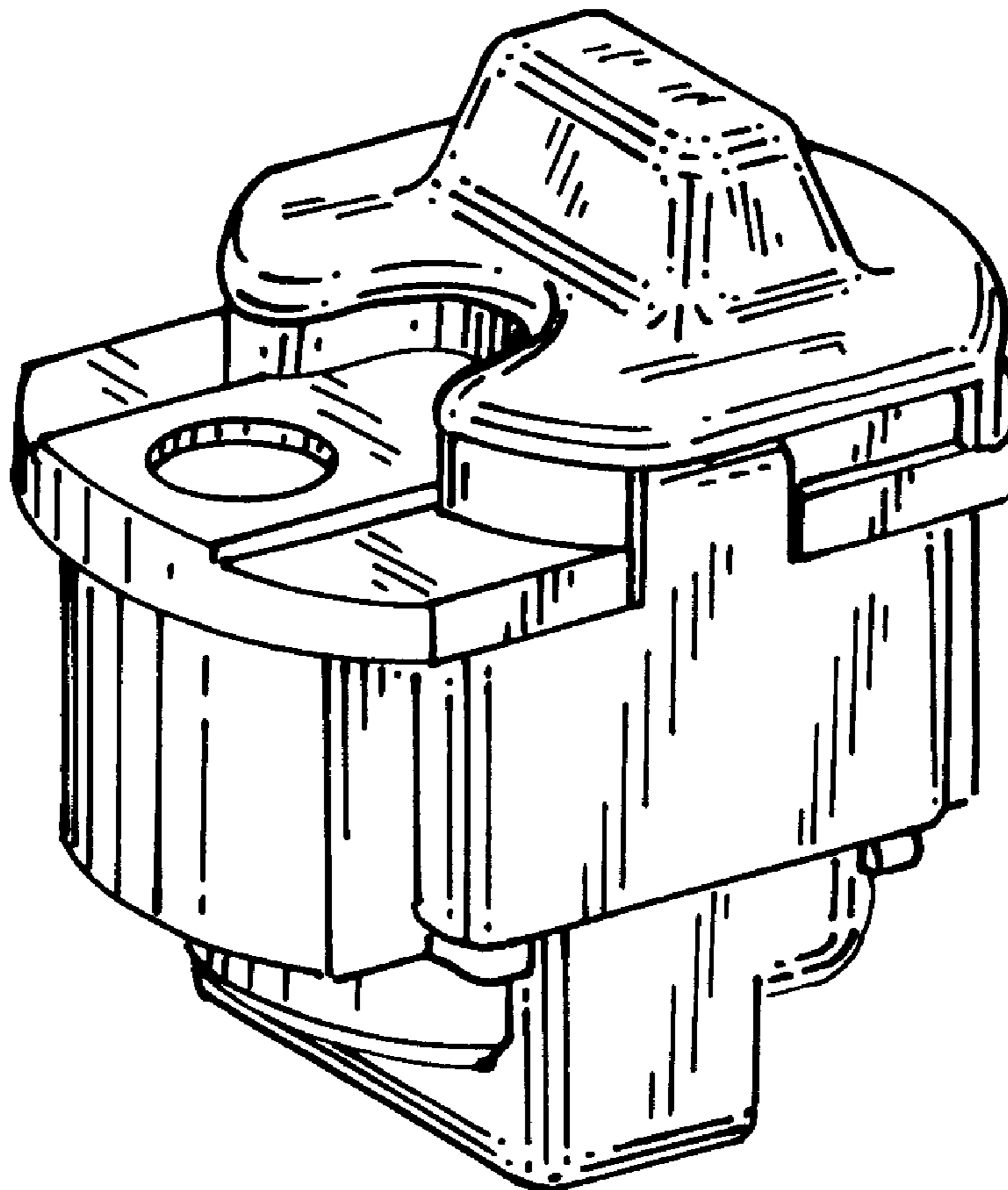
FIG. 7 is a bottom view thereof.

(56) **References Cited**

U.S. PATENT DOCUMENTS

D. 186,442 * 10/1959 Oules D14/226

1 Claim, 2 Drawing Sheets



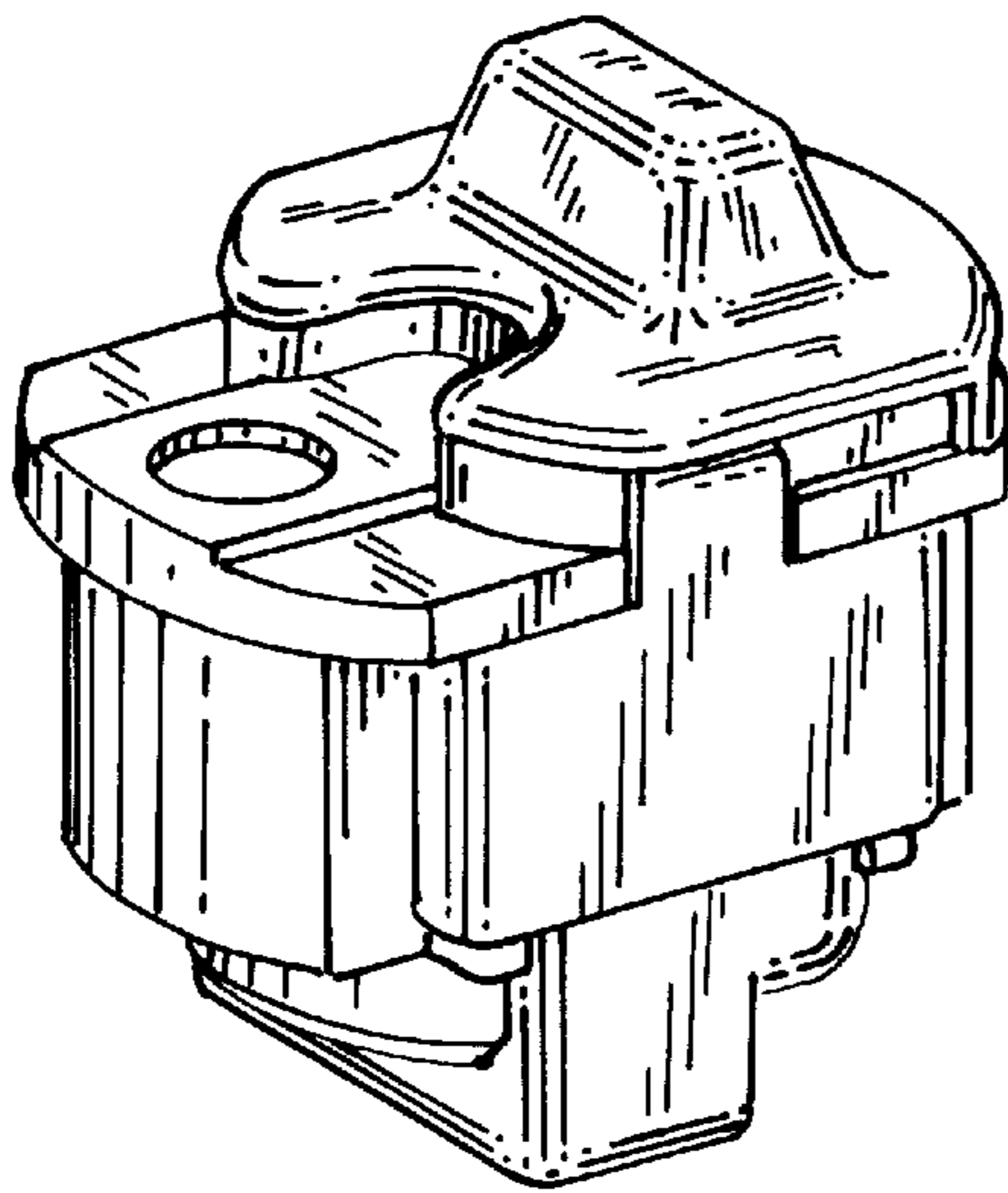


Fig. 1

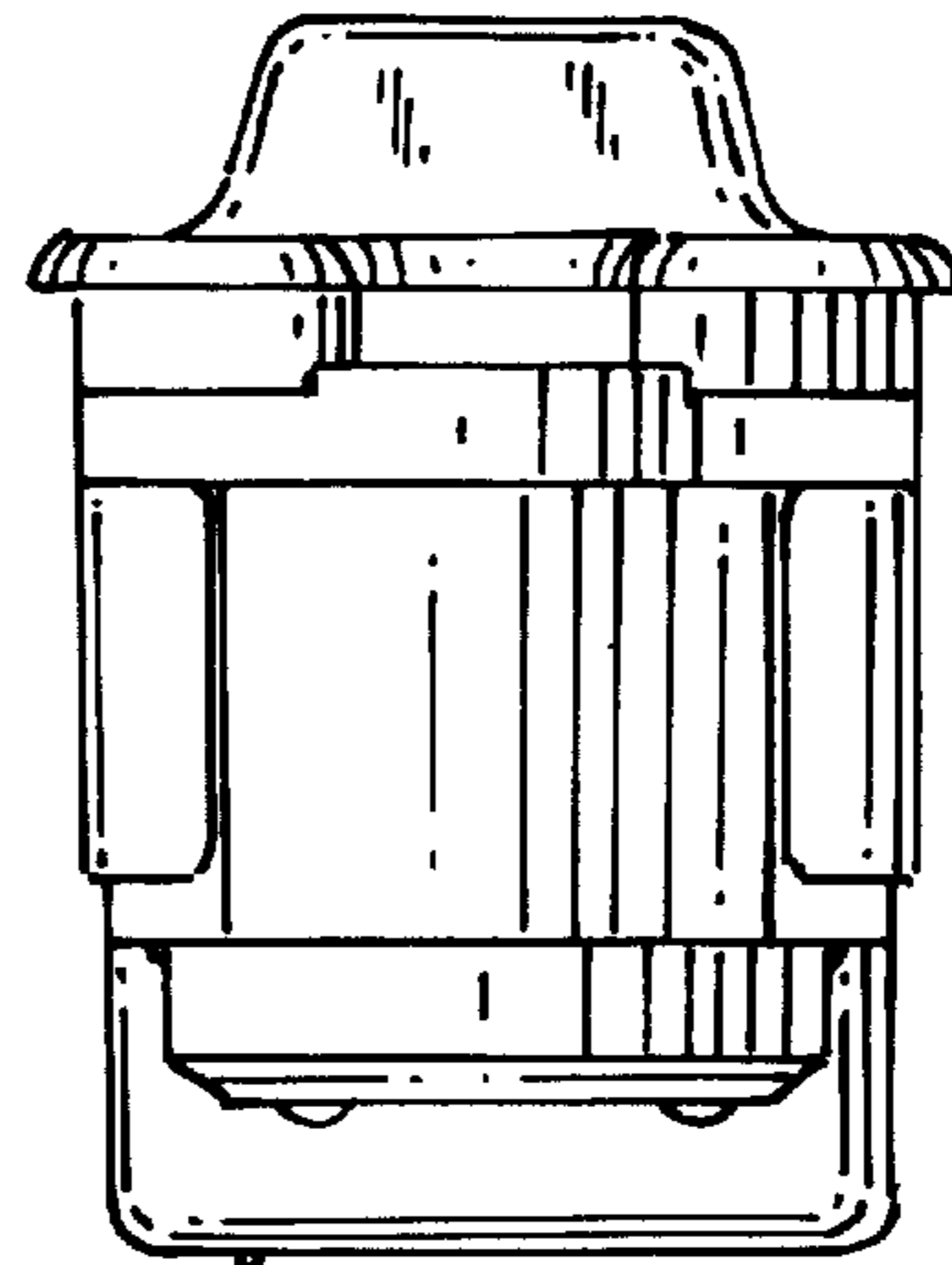


Fig. 2

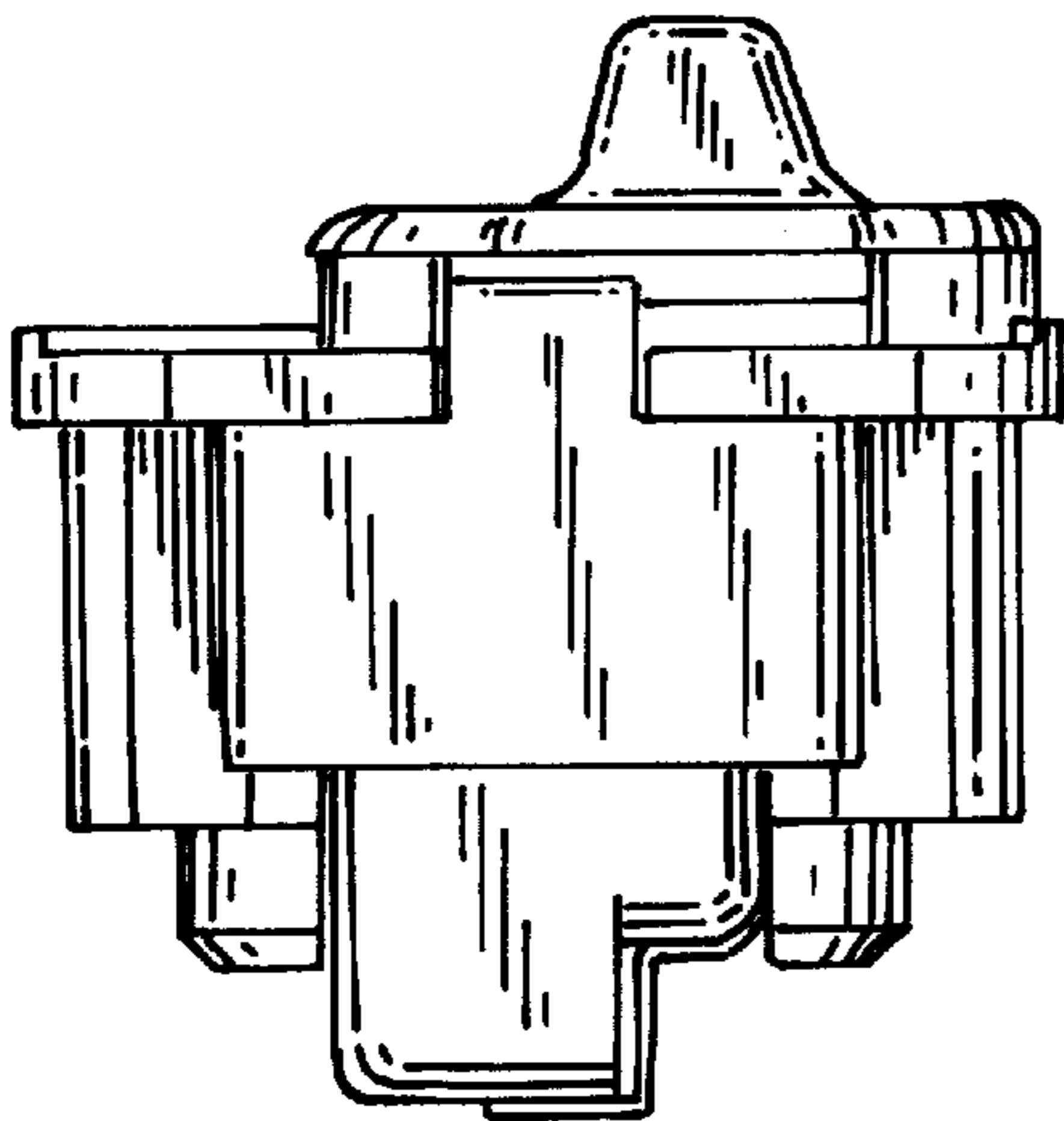


Fig. 3

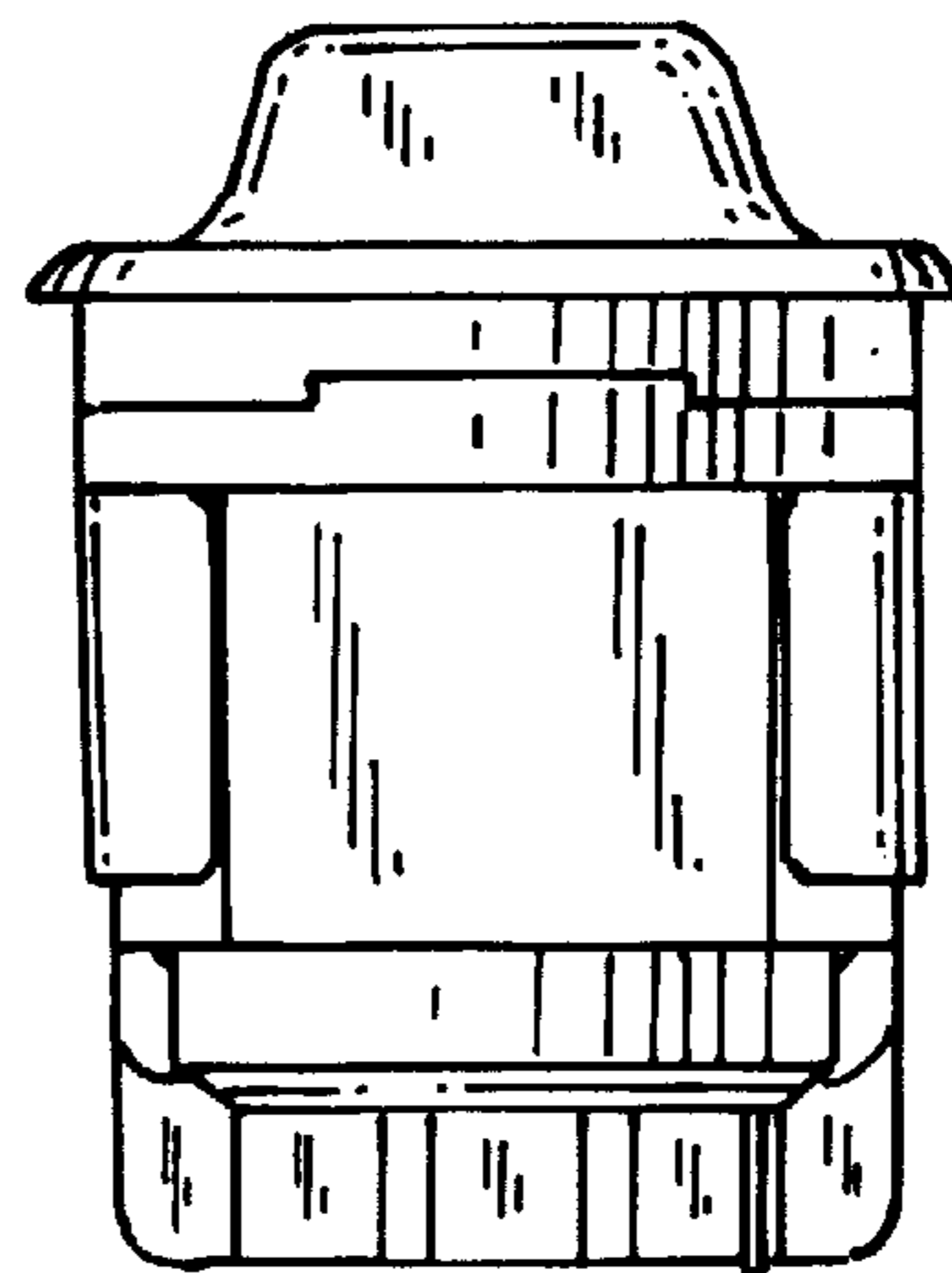


Fig. 4

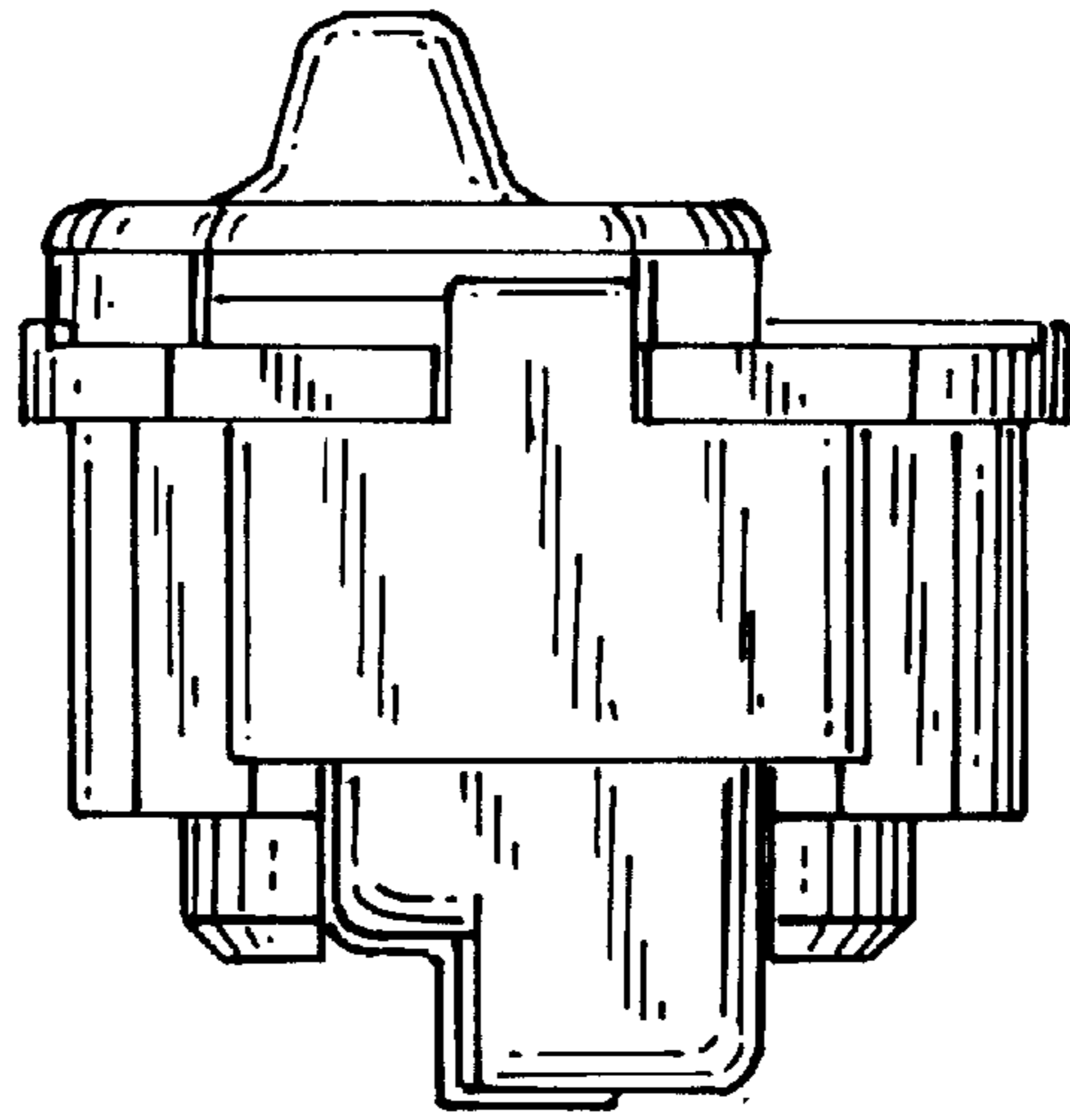


Fig. 5

Fig. 6

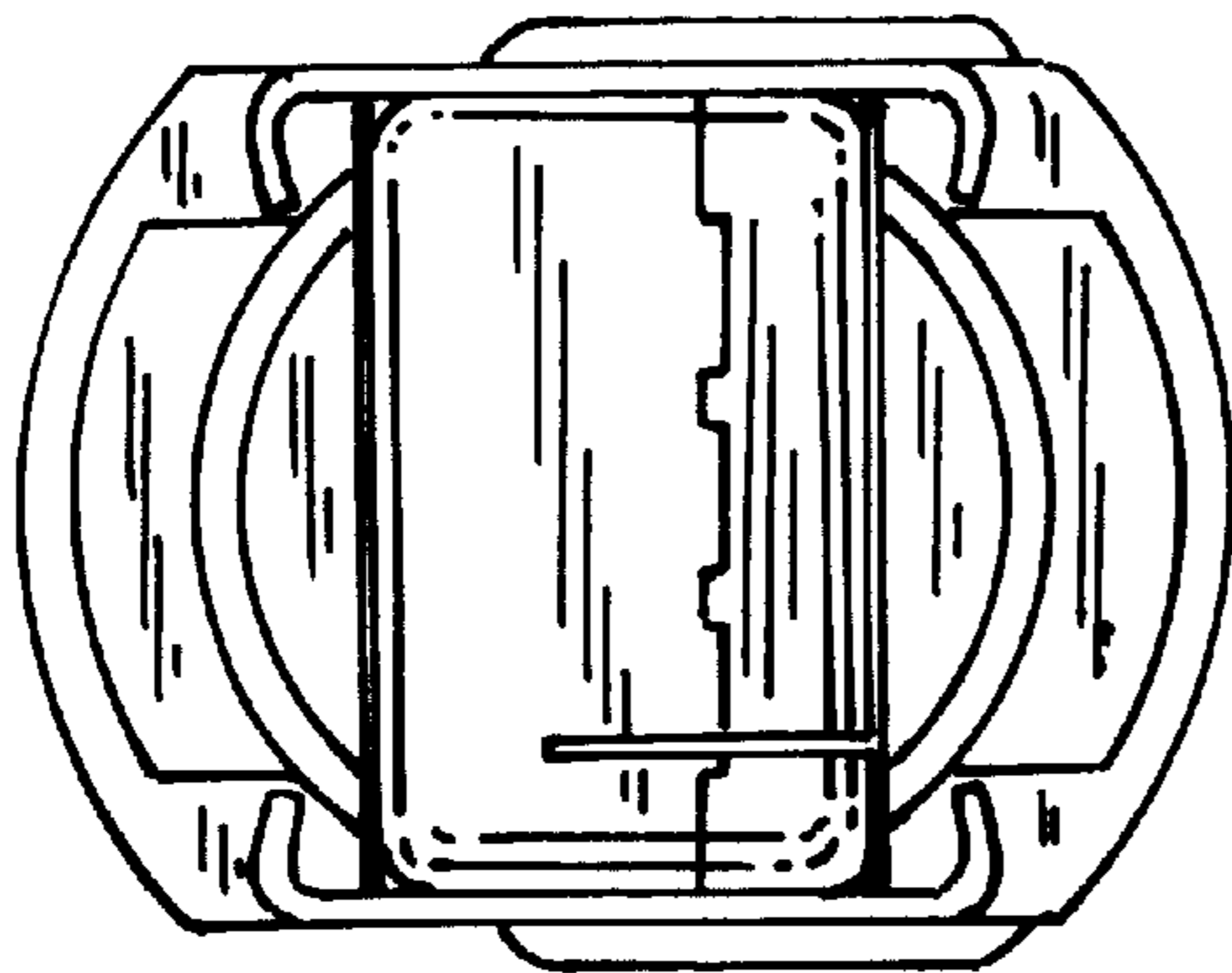
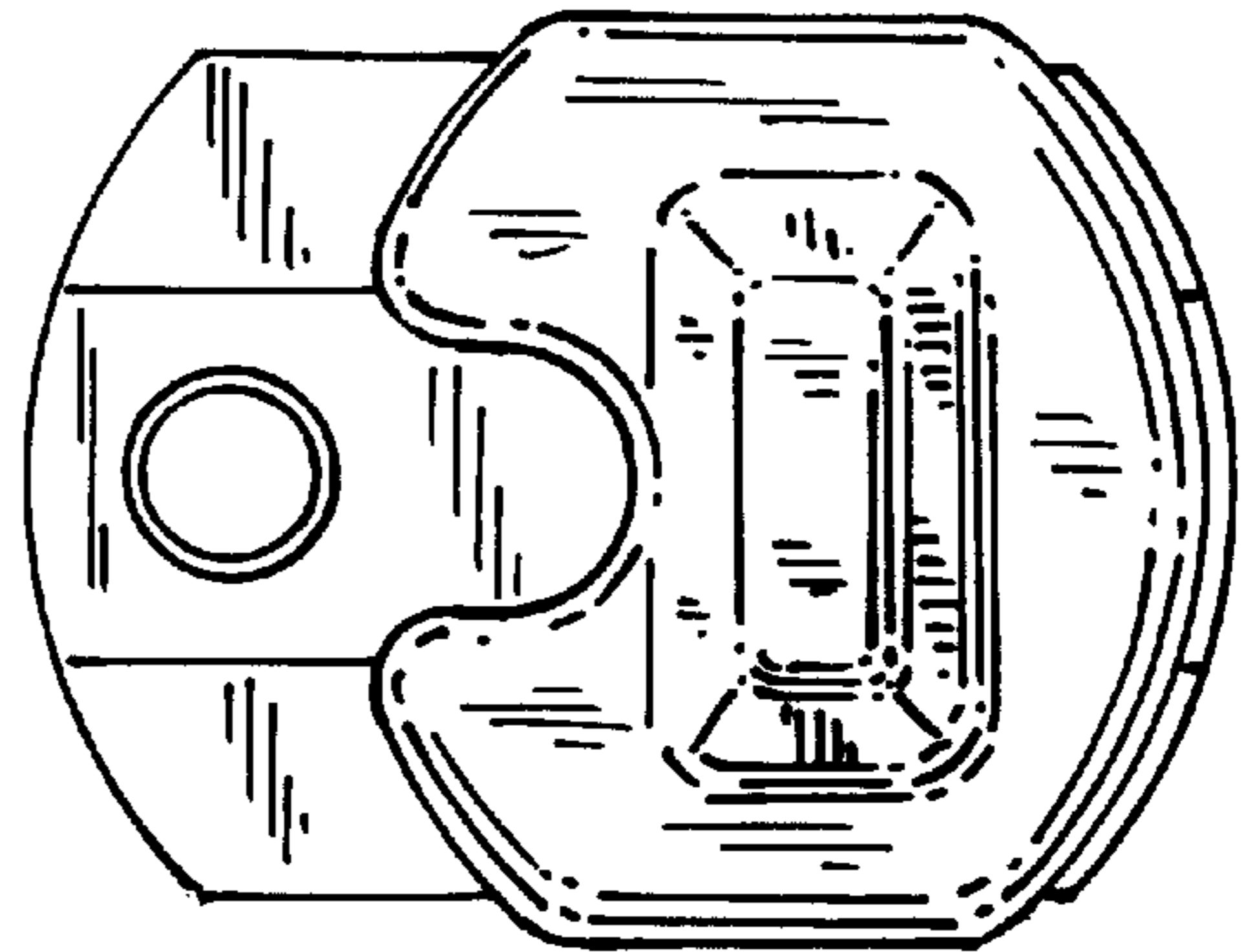


Fig. 7