



US00D438195S

(12) **United States Design Patent**
Chao et al.

(10) **Patent No.:** **US D438,195 S**

(45) **Date of Patent:** **** Feb. 27, 2001**

(54) **SPEAKER MAGNET STRUCTURE**

D. 349,499 * 8/1994 Collins D14/215

D. 387,354 * 12/1997 Ueng D14/222

5,133,428 * 7/1992 Perrson 181/153

(75) Inventors: **Mark Chao**, Fountain Valley; **Keng Chi Li**, Garden Grove, both of CA (US)

* cited by examiner

(73) Assignees: **King Audio, Inc.**, Anaheim; **Ample Audio, Inc.**, Buena Park; **Electronic Auto System, Inc.**, S. ElMonte, all of CA (US)

Primary Examiner—Nanda Bondade

(74) *Attorney, Agent, or Firm*—Raymond Y. Chan; David and Raymond

(**) Term: **14 Years**

(57) **CLAIM**

The ornamental design for a speaker magnet structure, as shown and described.

(21) Appl. No.: **29/099,068**

(22) Filed: **Jan. 12, 1999**

DESCRIPTION

(51) **LOC (7) Cl.** **14-01**

FIG. 1 is a perspective view showing my new design.

(52) **U.S. Cl.** **D14/222**

FIG. 2 is a top view thereof.

(58) **Field of Search** D14/215, 216,
D14/221, 222; 381/300–302, 307, 333–336,
359–364, 386; 181/153, 199

FIG. 3 is a side view thereof, the remaining sides being identical;

FIG. 4 is a bottom view thereof.

FIG. 5 is a sectional view thereof, taken along the lines 5—5 on FIG. 2; and,

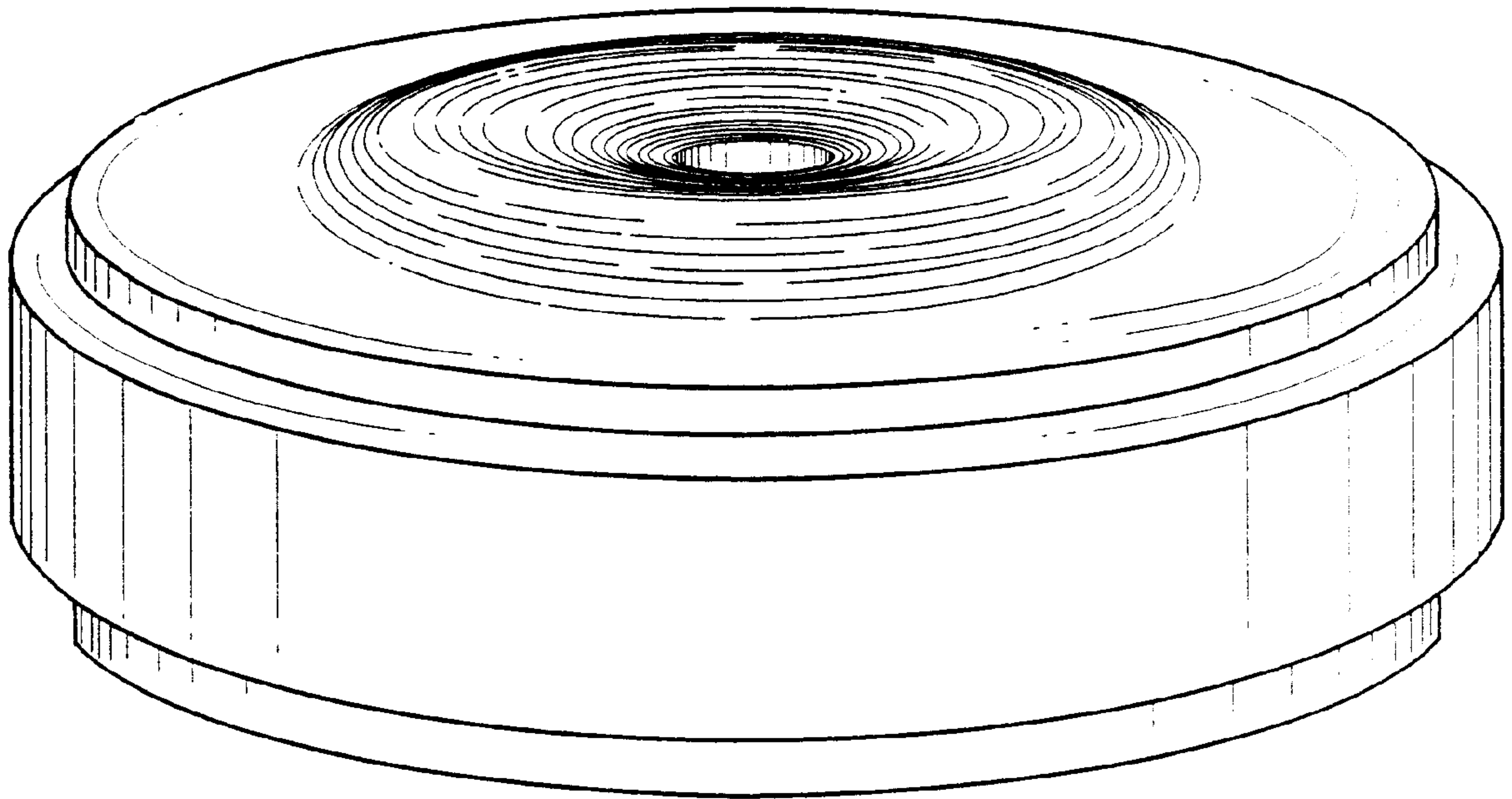
FIG. 6 is an exploded perspective view thereof showing the components included.

(56) **References Cited**

U.S. PATENT DOCUMENTS

D. 302,430 * 7/1989 Matsushima et al. D14/214

1 Claim, 6 Drawing Sheets



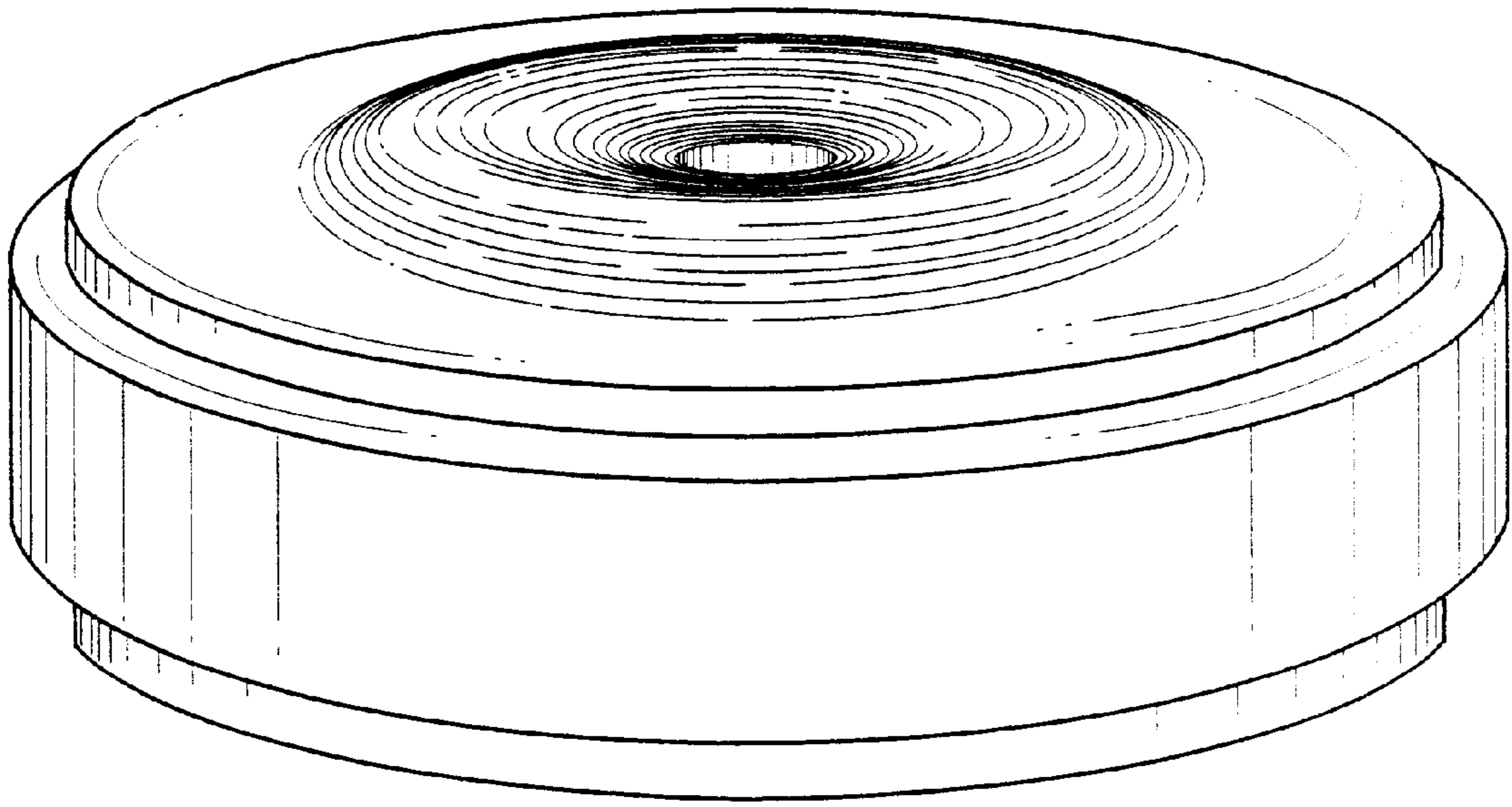


FIG 1

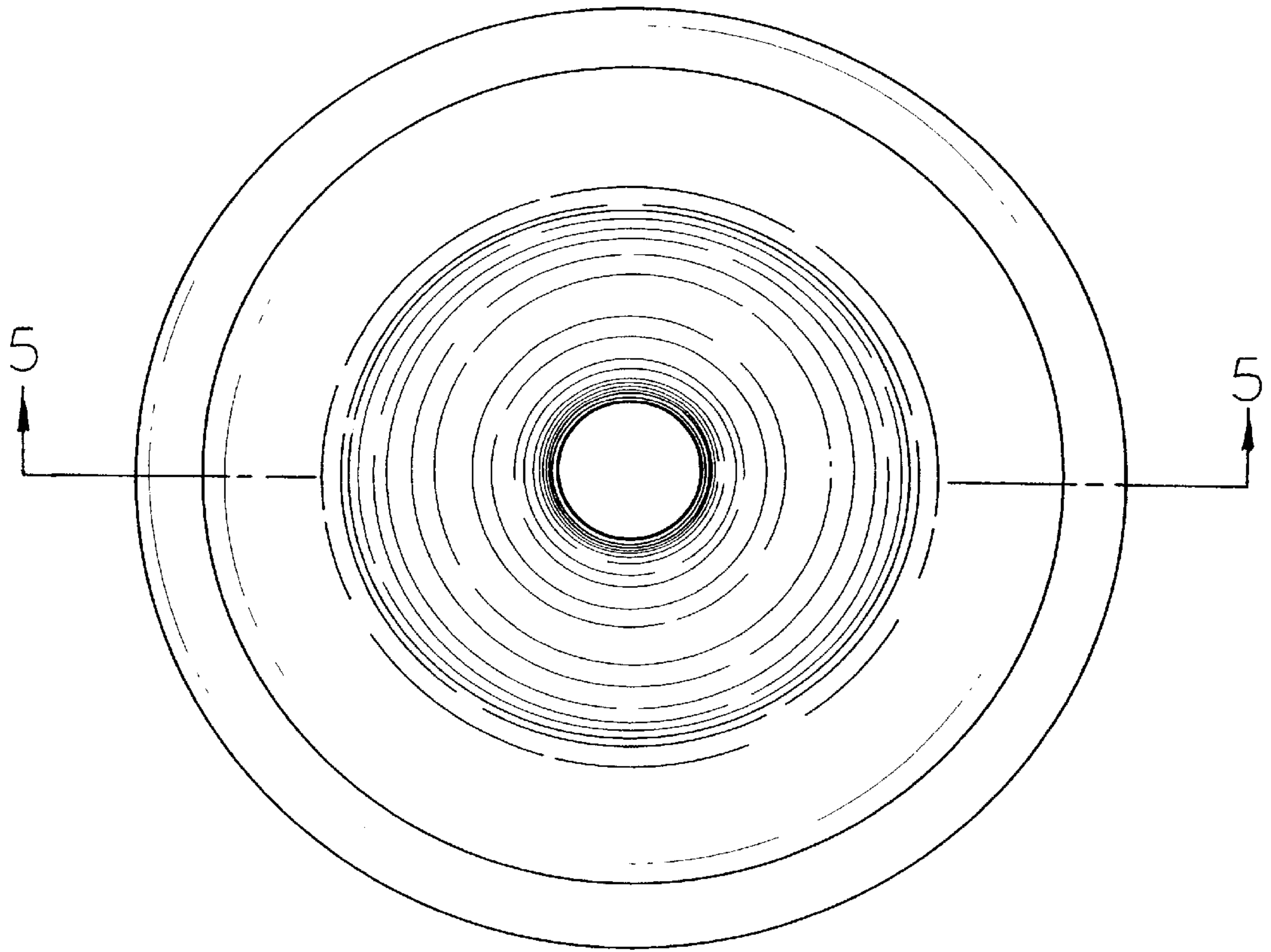


FIG 2

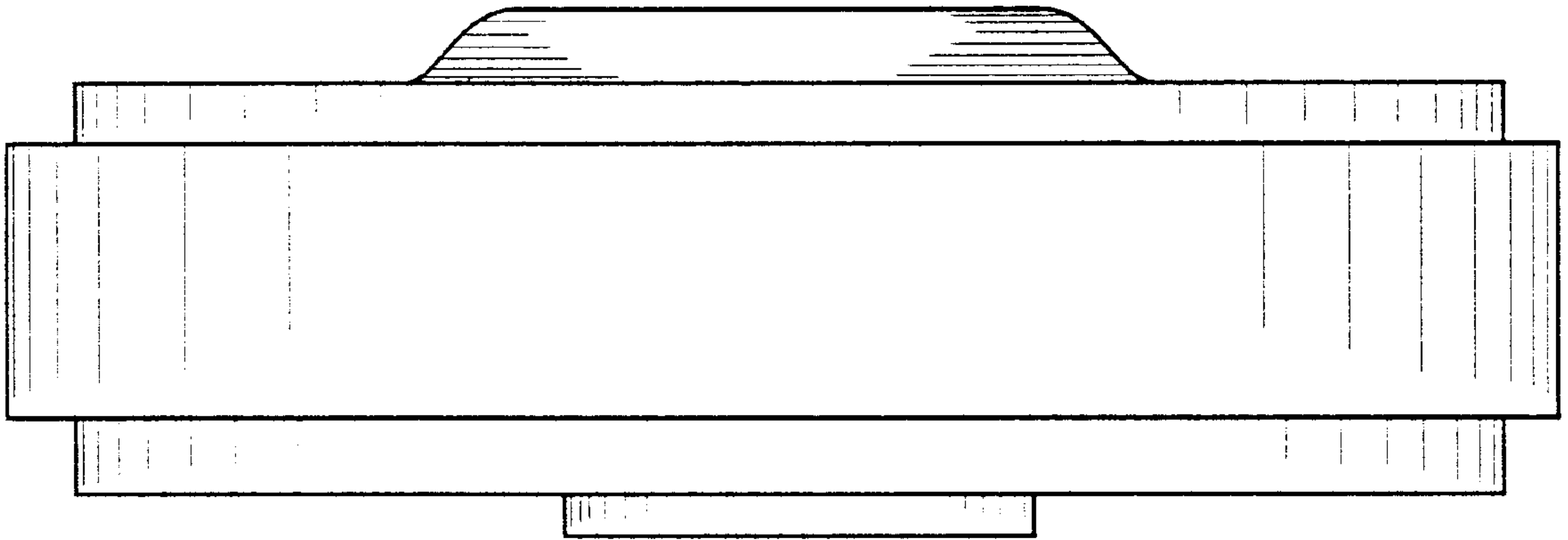


FIG 3

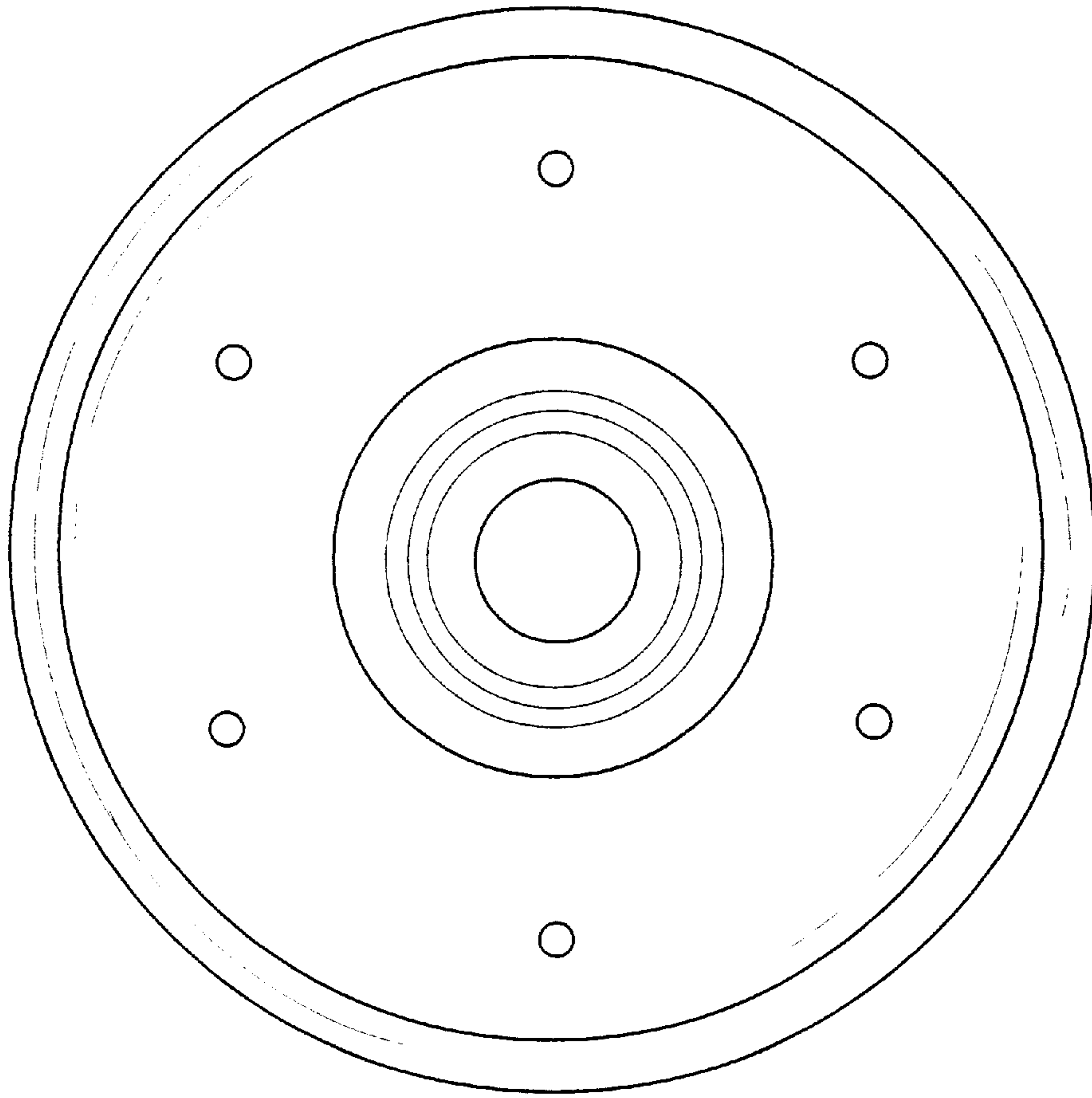


FIG 4

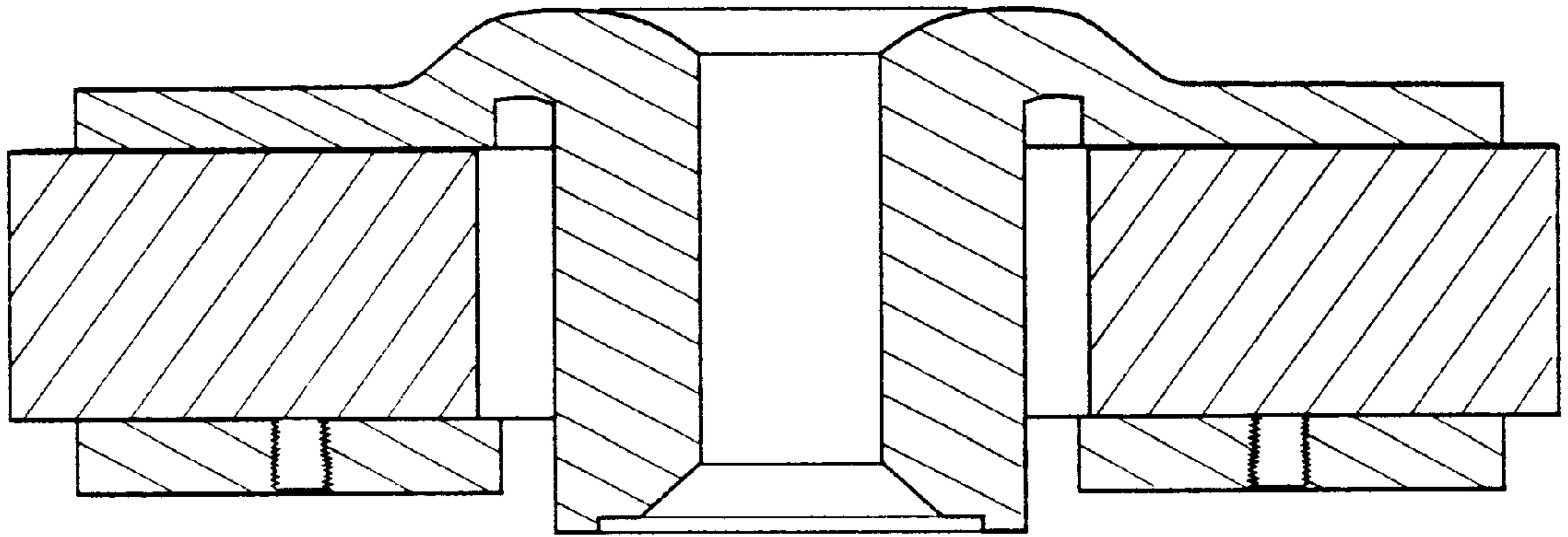


FIG 5

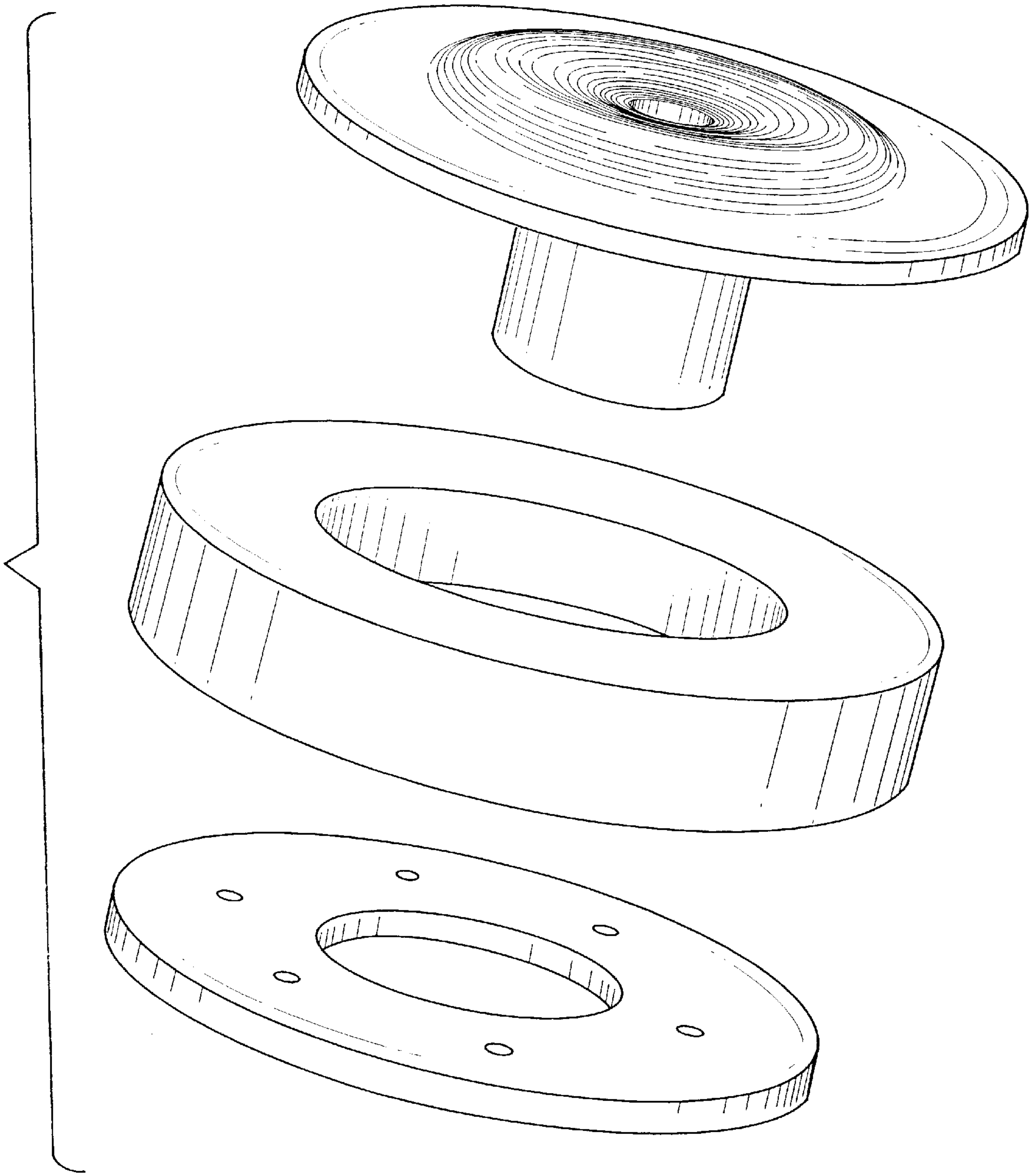


FIG 6