



US00D438194S

(12) **United States Design Patent**
Miyazaki

(10) **Patent No.:** **US D438,194 S**

(45) **Date of Patent:** **** Feb. 27, 2001**

(54) **EDITING CONTROL UNIT FOR AUDIO AND VIDEO APPARATUS**

D. 411,199 * 6/1999 Park D14/188
4,230,064 * 10/1980 Mack 116/245

(75) Inventor: **Tetsuro Miyazaki**, Tokyo (JP)

* cited by examiner

(73) Assignee: **Sony Corporation**, Tokyo (JP)

Primary Examiner—Nanda Bondade

(**) Term: **14 Years**

(74) *Attorney, Agent, or Firm*—Rader, Fishman & Grauer

(21) Appl. No.: **29/122,579**

(57) **CLAIM**

The ornamental design for an editing control unit for audio and video apparatus, as shown and described.

(22) Filed: **May 1, 2000**

DESCRIPTION

(51) **LOC (7) Cl.** **14-99**

(52) **U.S. Cl.** **D14/217**

(58) **Field of Search** D14/125, 135,
D14/136, 156, 157, 162, 164, 168, 188,
193-198, 217, 265, 299; 116/241, 245;
334/7, 88; 455/345-347

FIG. 1 is a top, front perspective view of the front portion of an editing control unit for audio and video apparatus showing my design;

FIG. 2 is a top plan view thereof;

FIG. 3 is a bottom plan view thereof;

FIG. 4 is a left side elevational view thereof;

FIG. 5 is a right side elevational view thereof;

FIG. 6 is a front elevational view thereof; and,

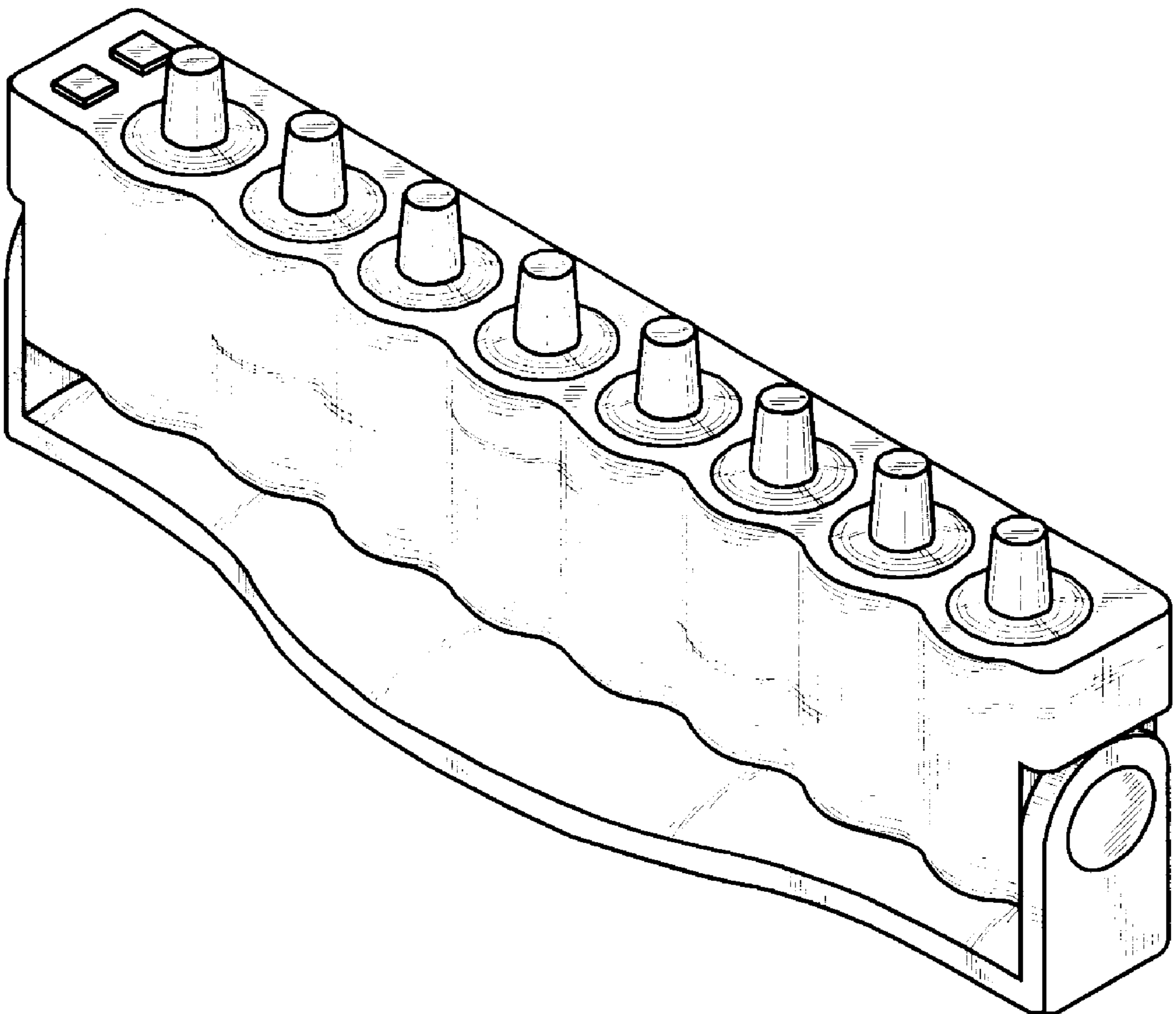
FIG. 7 is a rear elevational view thereof.

(56) **References Cited**

U.S. PATENT DOCUMENTS

D. 314,769 * 2/1991 Stoddard et al. D14/217

1 Claim, 4 Drawing Sheets



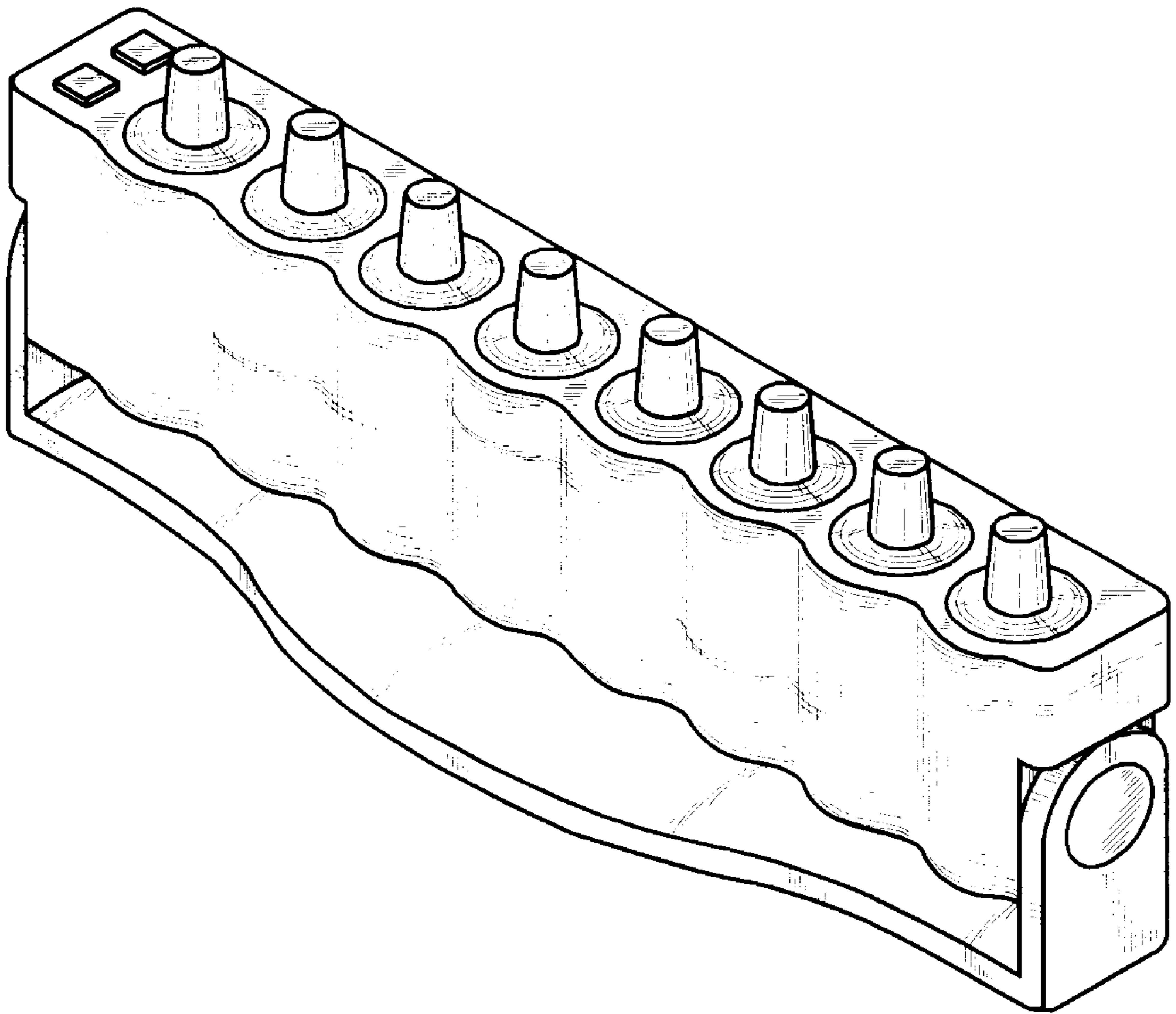


Fig. 1

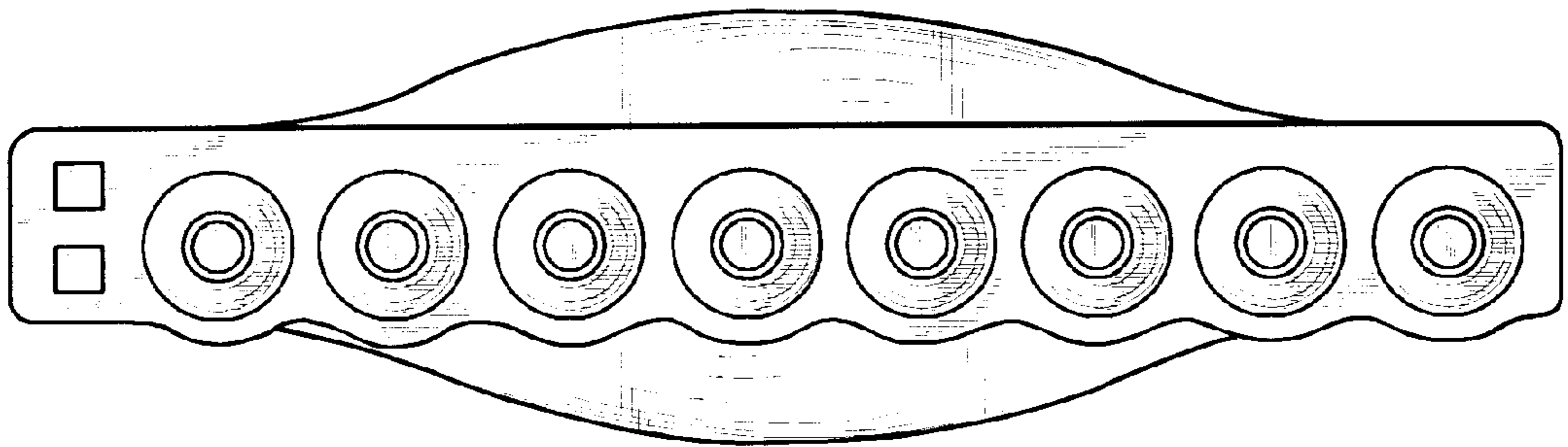


Fig. 2

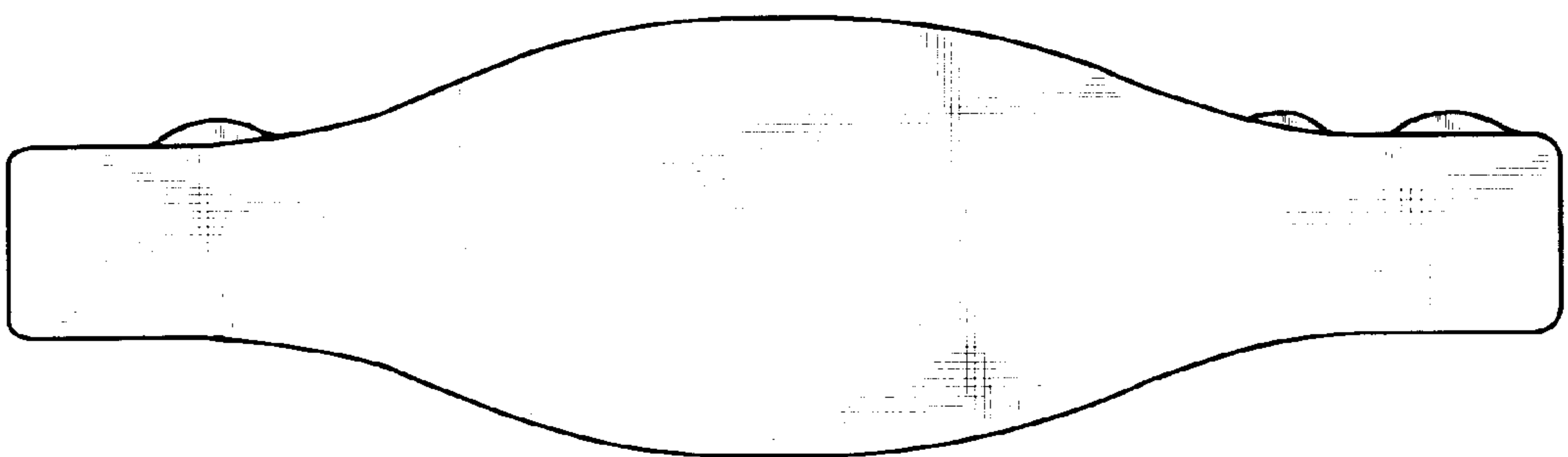


Fig. 3

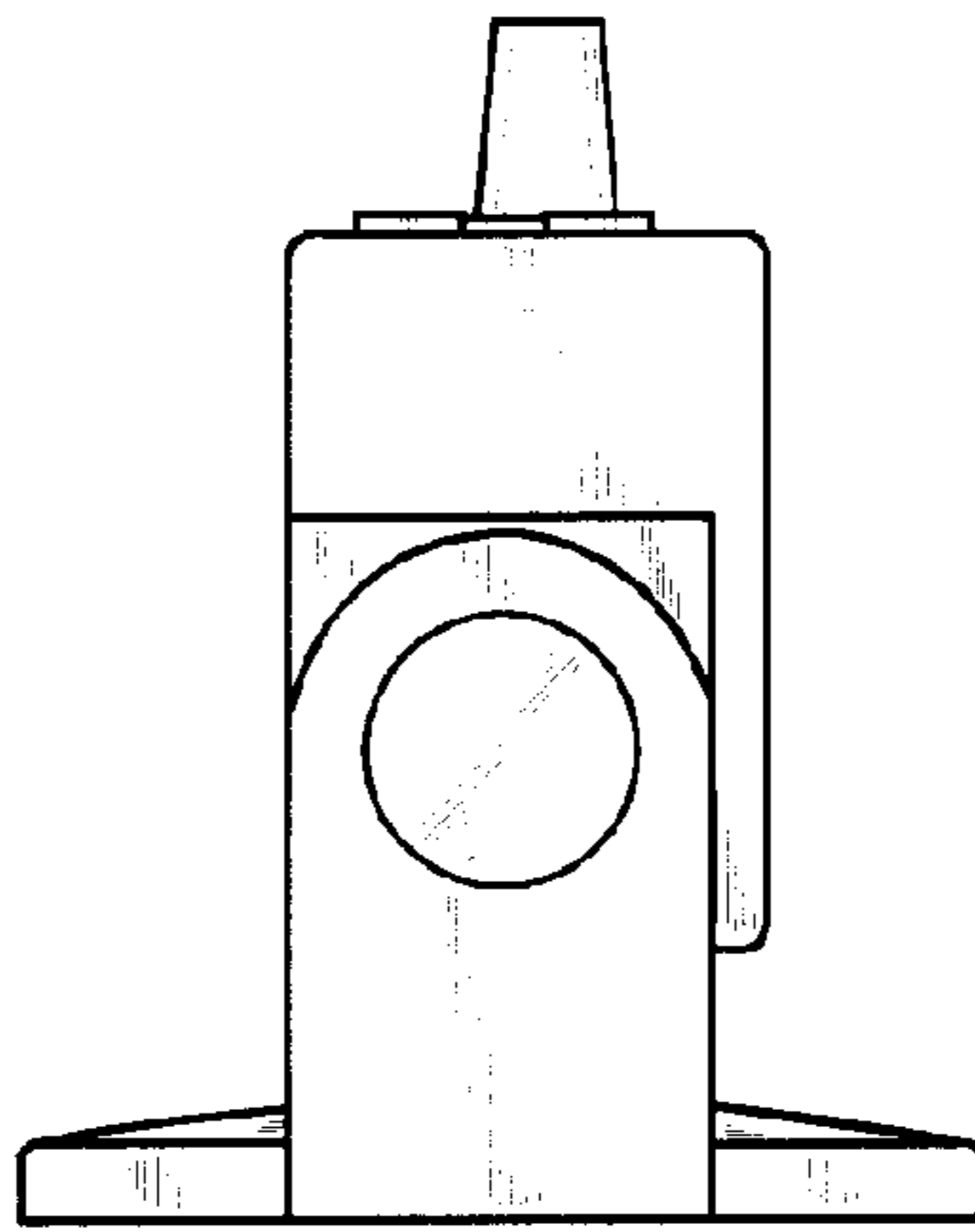


Fig. 4

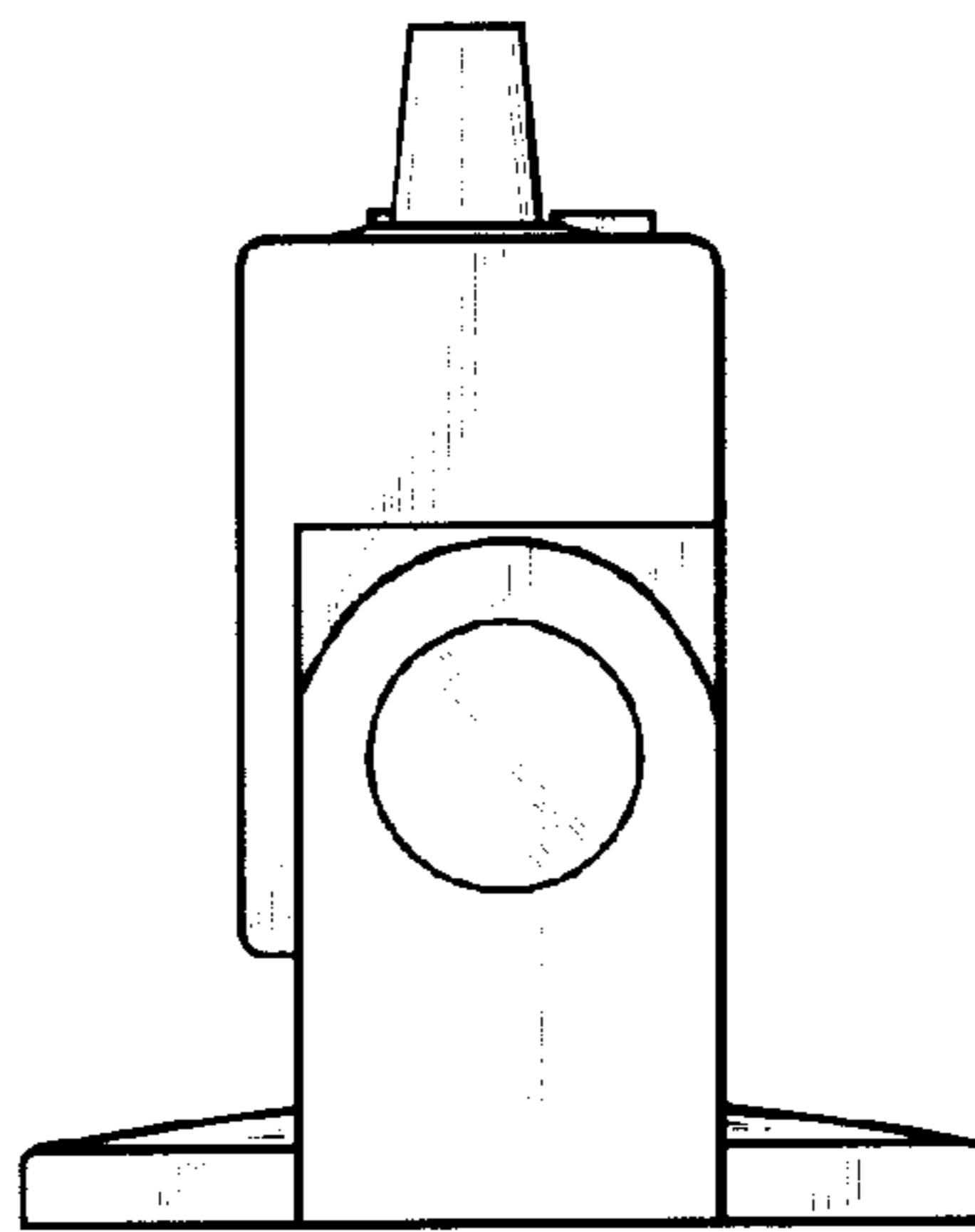


Fig. 5

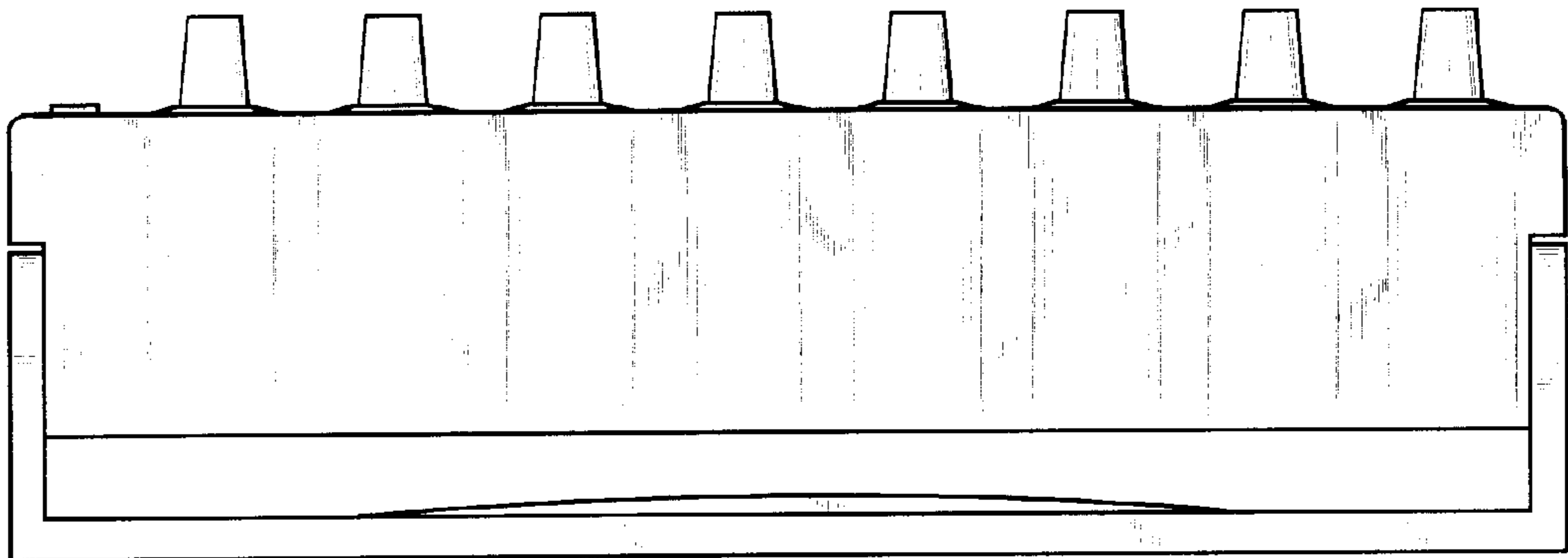


Fig. 6

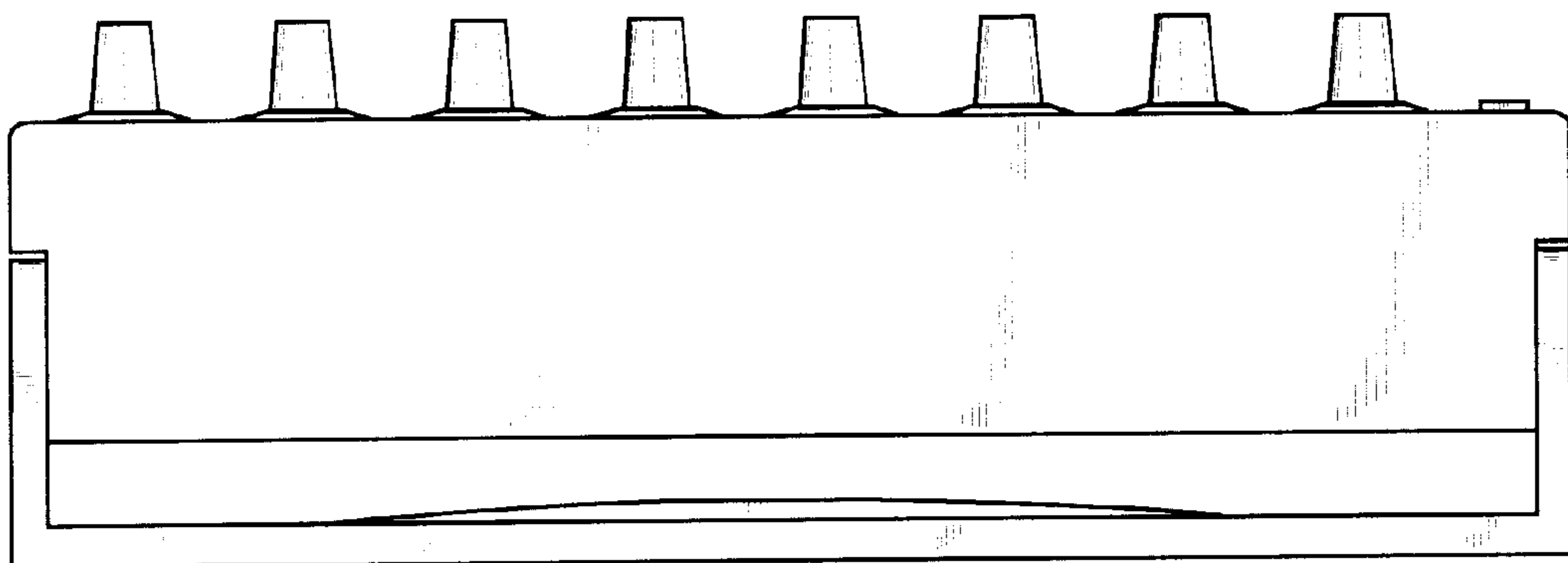


Fig. 7